



US00D681763S

(12) **United States Design Patent**  
**Kayser**

(10) **Patent No.:** **US D681,763 S**

(45) **Date of Patent:** **\*\* May 7, 2013**

(54) **CANOPY**

(75) Inventor: **Matt Kayser**, Highlands Ranch, CO  
(US)

(73) Assignee: **KD Kanopy, Inc.**, Westminster, CO  
(US)

(\*\*) Term: **14 Years**

(21) Appl. No.: **29/416,811**

(22) Filed: **Mar. 27, 2012**

(51) **LOC (9) Cl.** ..... **21-01**

(52) **U.S. Cl.**  
USPC ..... **D21/837**

(58) **Field of Classification Search** ..... D21/536,  
D21/834, 837, 838, 839; D25/1, 56; D12/401;  
135/87, 96, 115, 117, 124, 126, 127, 130,  
135/132, 137

See application file for complete search history.

(56) **References Cited**

**U.S. PATENT DOCUMENTS**

1,454,395	A *	5/1923	McDonald	.....	135/137
3,042,053	A *	7/1962	Effie	.....	135/130
3,051,185	A *	8/1962	Reynolds	.....	135/124
4,091,584	A *	5/1978	Brown	.....	135/127
4,823,823	A *	4/1989	Gallery et al.	.....	135/96
D313,964	S *	1/1991	Fuller	.....	D12/401

5,159,947	A *	11/1992	Chuang et al.	.....	135/132
5,823,217	A *	10/1998	Rice	.....	135/124
6,901,940	B2 *	6/2005	Zheng	.....	135/126
D520,937	S *	5/2006	Eisenhauer	.....	D12/401
D551,724	S *	9/2007	Seckel et al.	.....	D21/536
D555,748	S *	11/2007	Gyr et al.	.....	D21/837
D608,407	S *	1/2010	Medlock	.....	D21/837
D638,954	S *	5/2011	Nichols	.....	D25/1

\* cited by examiner

*Primary Examiner* — Cynthia M Chin

(74) *Attorney, Agent, or Firm* — Holland & Hart LLP

(57) **CLAIM**

The ornamental design for a canopy, as shown and described.

**DESCRIPTION**

FIG. 1 is a perspective view of a canopy showing my new design;

FIG. 2 is a front side view of the canopy shown in FIG. 1;

FIG. 3 is a right side view of the canopy shown in FIG. 1;

FIG. 4 is a top view of the canopy shown in FIG. 1;

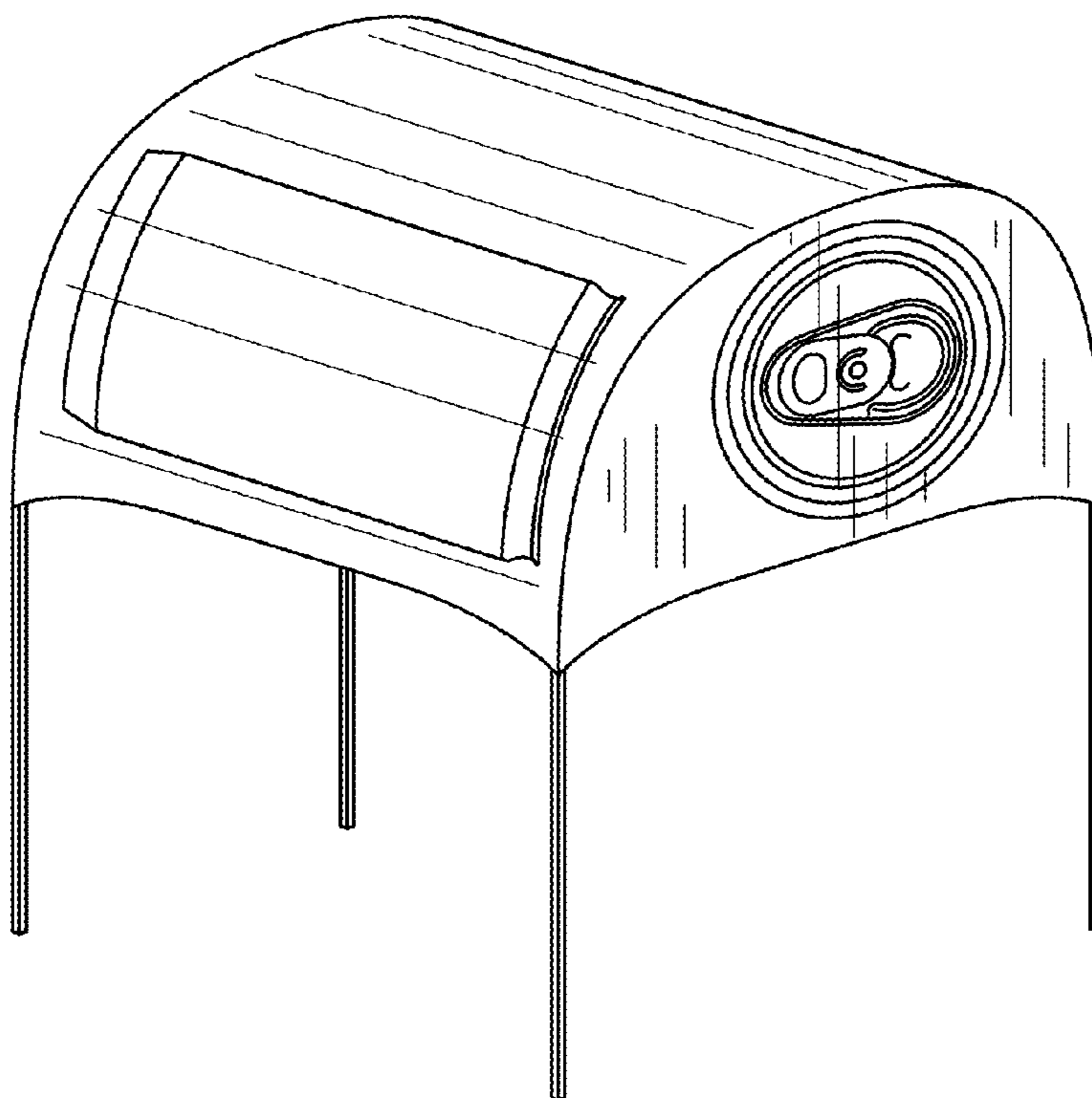
FIG. 5 is a left side view of the canopy shown in FIG. 1;

FIG. 6 is a back side view of the canopy shown in FIG. 1; and,

FIG. 7 is a bottom view of the canopy shown in FIG. 1.

The broken lines in FIG. 7 represent portions of the article that form no part of the claim.

**1 Claim, 2 Drawing Sheets**



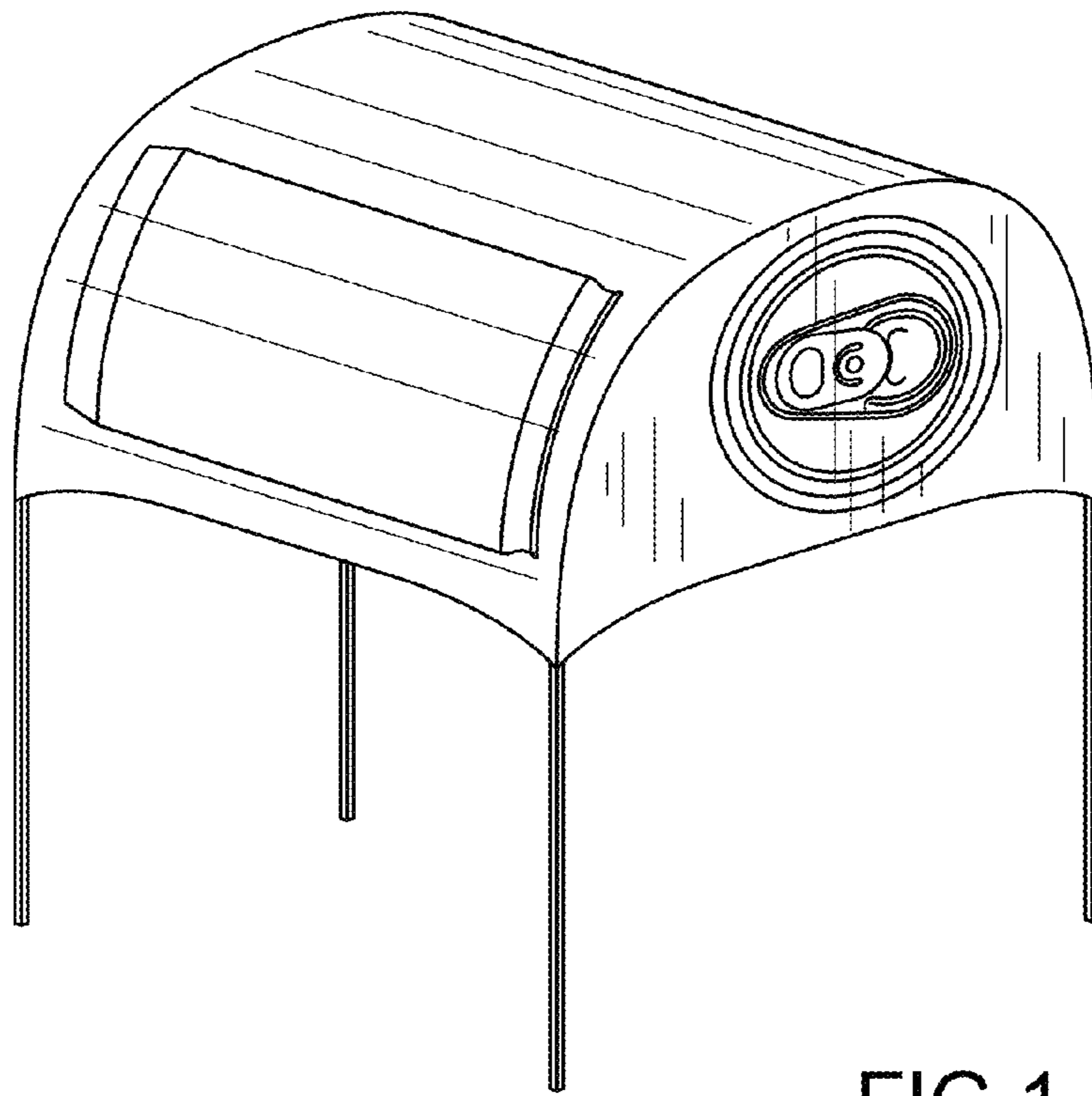


FIG. 1

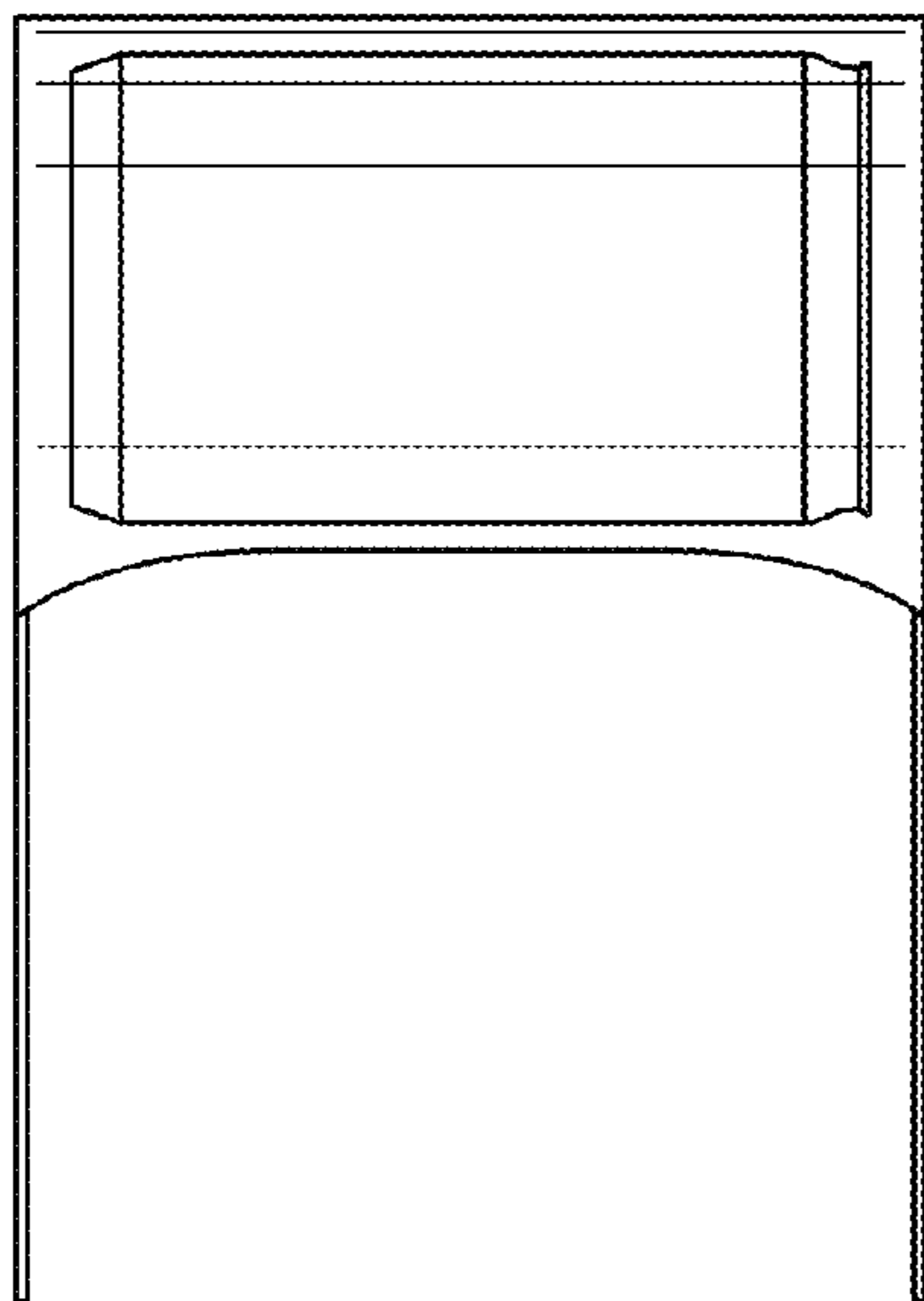


FIG. 2

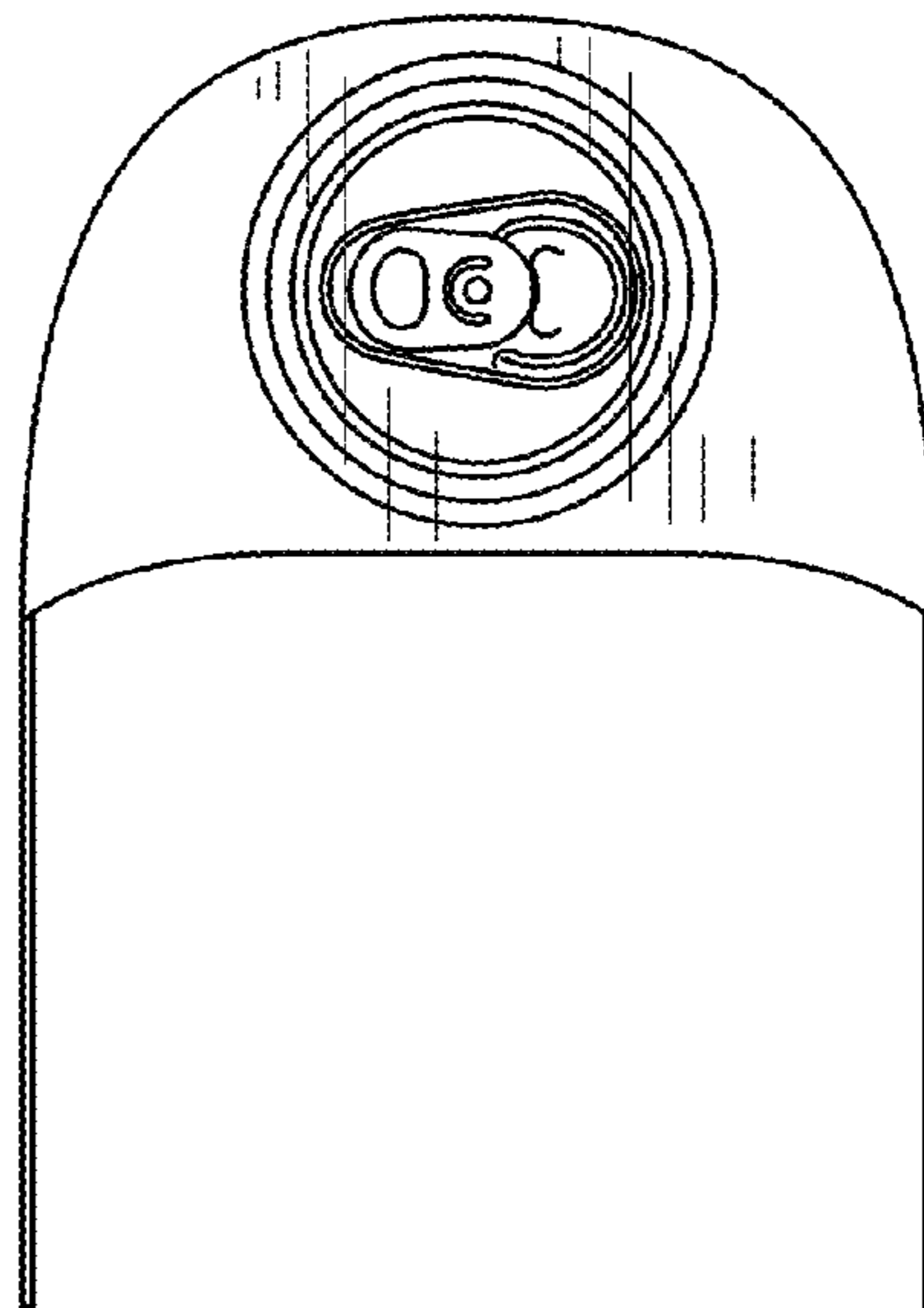


FIG. 3

FIG.4

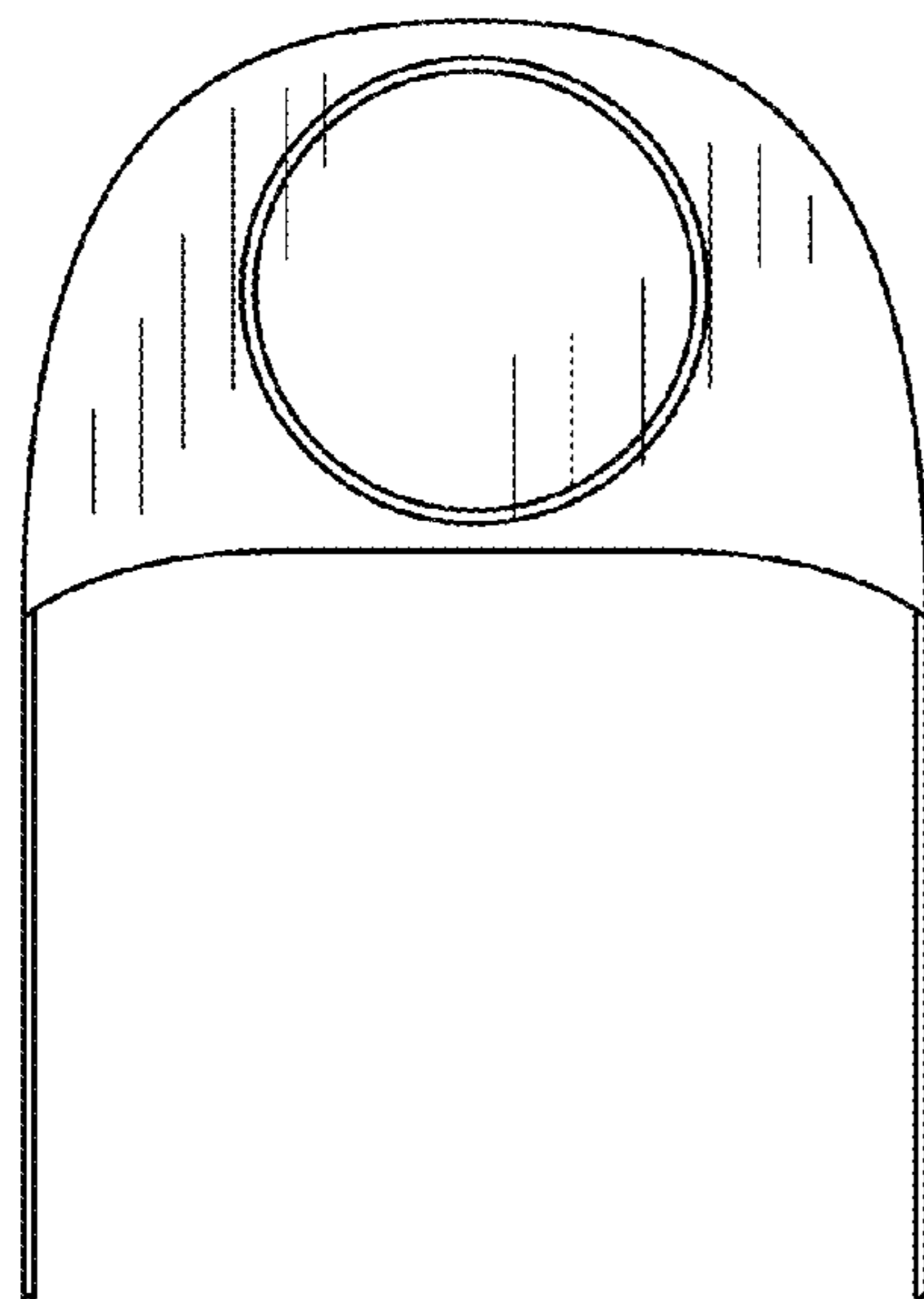
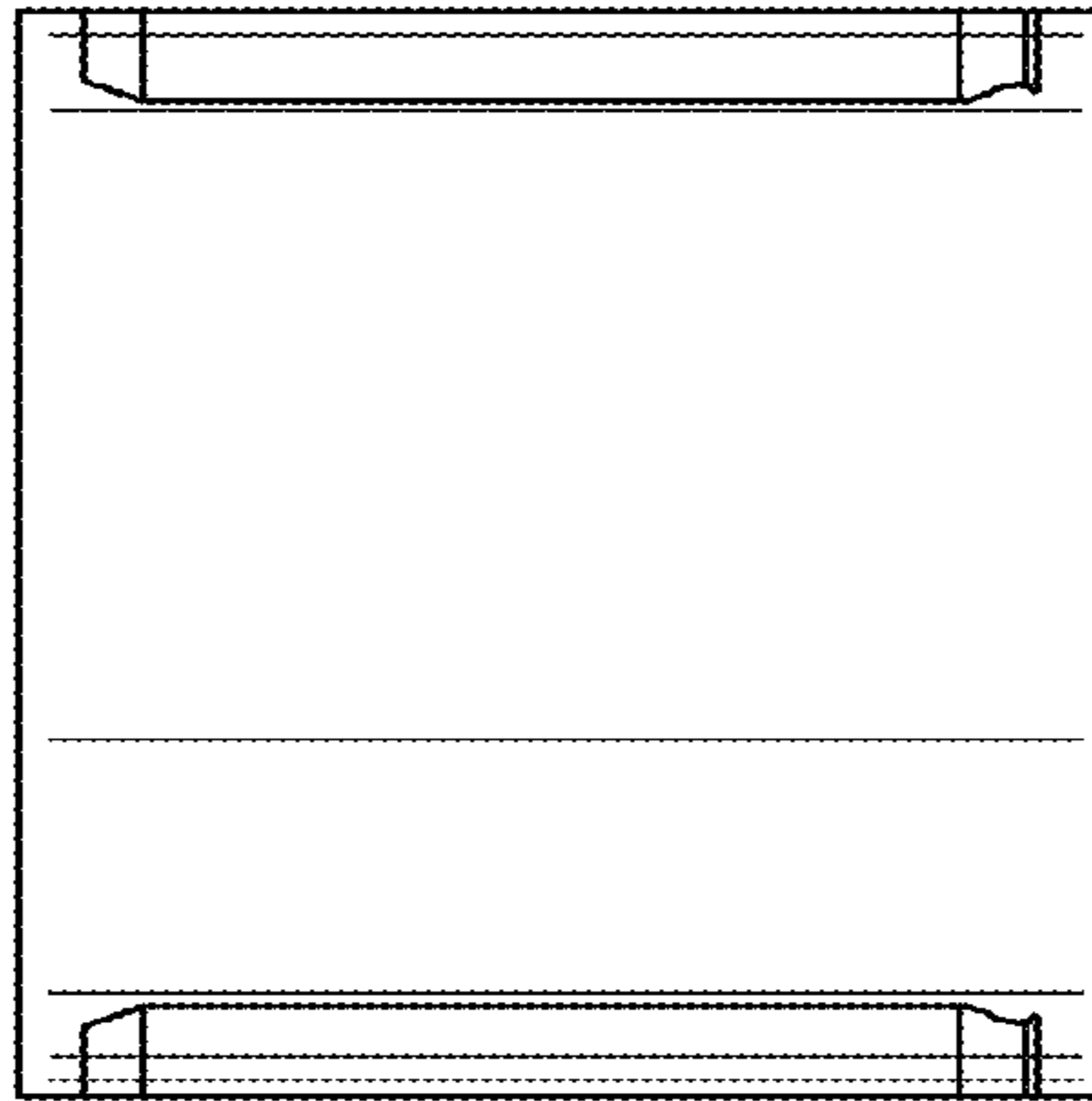


FIG.5

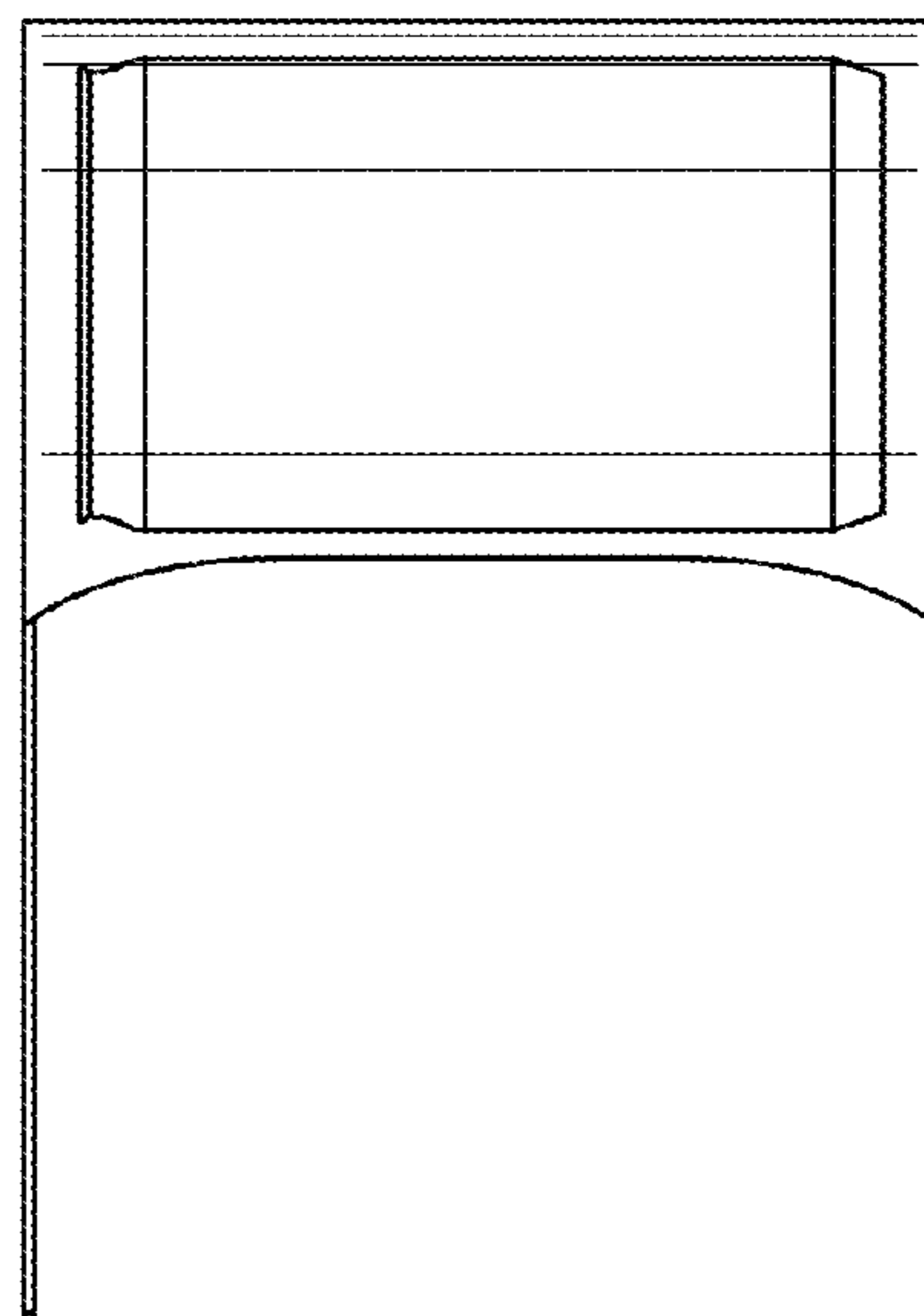


FIG.6

FIG.7

