



US00D681760S

(12) **United States Design Patent**
Pfaff et al.

(10) **Patent No.:** **US D681,760 S**

(45) **Date of Patent:** **** May 7, 2013**

(54) **GOLF PUTTER ATTACHMENT TO AID IN ALIGNMENT OF PUTT**

(75) Inventors: **Wayne K. Pfaff**, Irving, TX (US); **David W. Pfaff**, Irving, TX (US)

(73) Assignee: **Plastronics Socket Partners, Ltd.**, Irving, TX (US)

(**) Term: **14 Years**

(21) Appl. No.: **29/408,724**

(22) Filed: **Dec. 15, 2011**

(51) **LOC (9) Cl.** **21-02**

(52) **U.S. Cl.**
USPC **D21/791**

(58) **Field of Classification Search** D21/789,
D21/791, 759; 473/236, 242, 251–256
See application file for complete search history.

(56) **References Cited**

U.S. PATENT DOCUMENTS

3,489,415	A *	1/1970	Smith	473/236
4,139,198	A *	2/1979	Kanavas	473/236
4,323,246	A *	4/1982	Nehrbas, Jr.	473/236
D353,178	S *	12/1994	Koleoglou	D21/759
5,478,078	A *	12/1995	Lee	473/236
D385,324	S *	10/1997	Ubaney	D21/759
6,780,119	B1 *	8/2004	Gankas	473/236

D583,888	S *	12/2008	Nehrbas	D21/759
D602,547	S *	10/2009	Fellows et al.	D21/759
D604,787	S *	11/2009	Hopkins	D21/791
D631,523	S *	1/2011	Pingalore	D21/789

* cited by examiner

Primary Examiner — Mitchell Siegel

(74) *Attorney, Agent, or Firm* — Mark W Handley

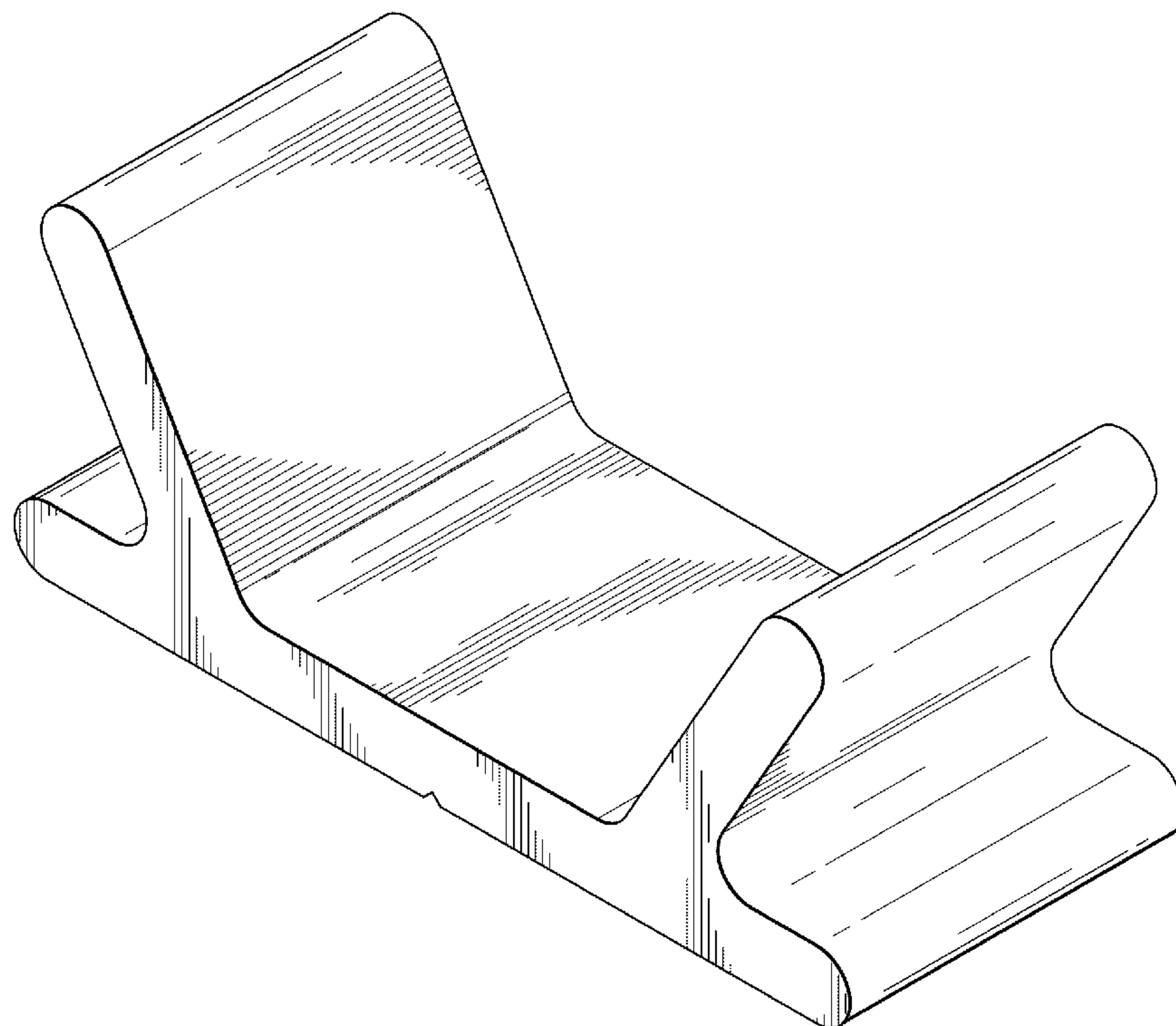
(57) **CLAIM**

The ornamental design for a golf putter attachment to aid in alignment of putt, as shown and described.

DESCRIPTION

FIG. 1 is a perspective view of a golf putter attachment to aid in alignment of putt embodying our design;
 FIG. 2 is a front view of the golf putter attachment to aid in alignment of putt;
 FIG. 3 is a rear view of the golf putter attachment to aid in alignment of putt;
 FIG. 4 is a right side view of the golf putter attachment to aid in alignment of putt;
 FIG. 5 is a left side view of the golf putter attachment to aid in alignment of putt;
 FIG. 6 is a top view of the golf putter attachment to aid in alignment of putt; and,
 FIG. 7 is a bottom view of the golf putter attachment to aid in alignment of putt.

1 Claim, 4 Drawing Sheets



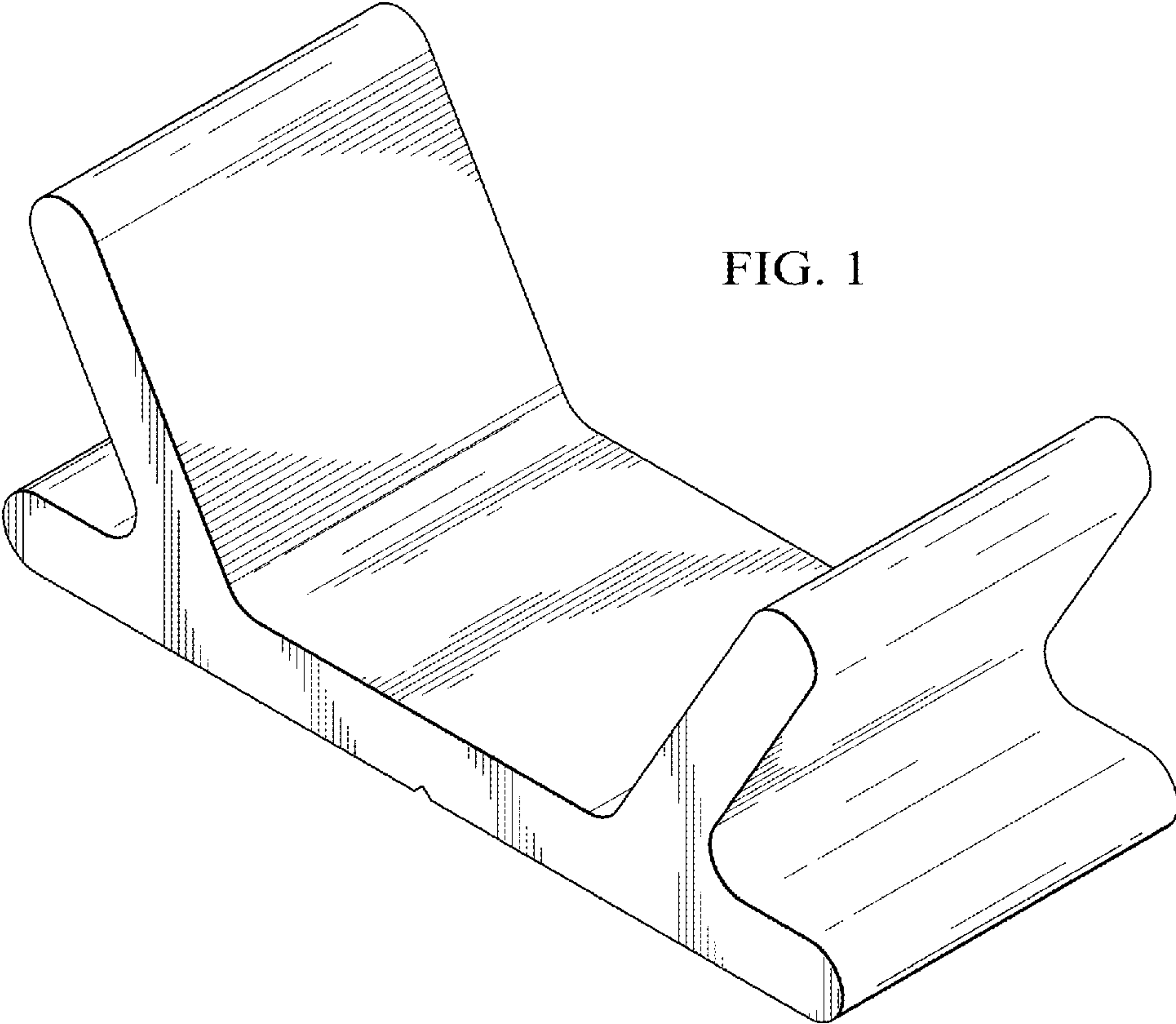


FIG. 1

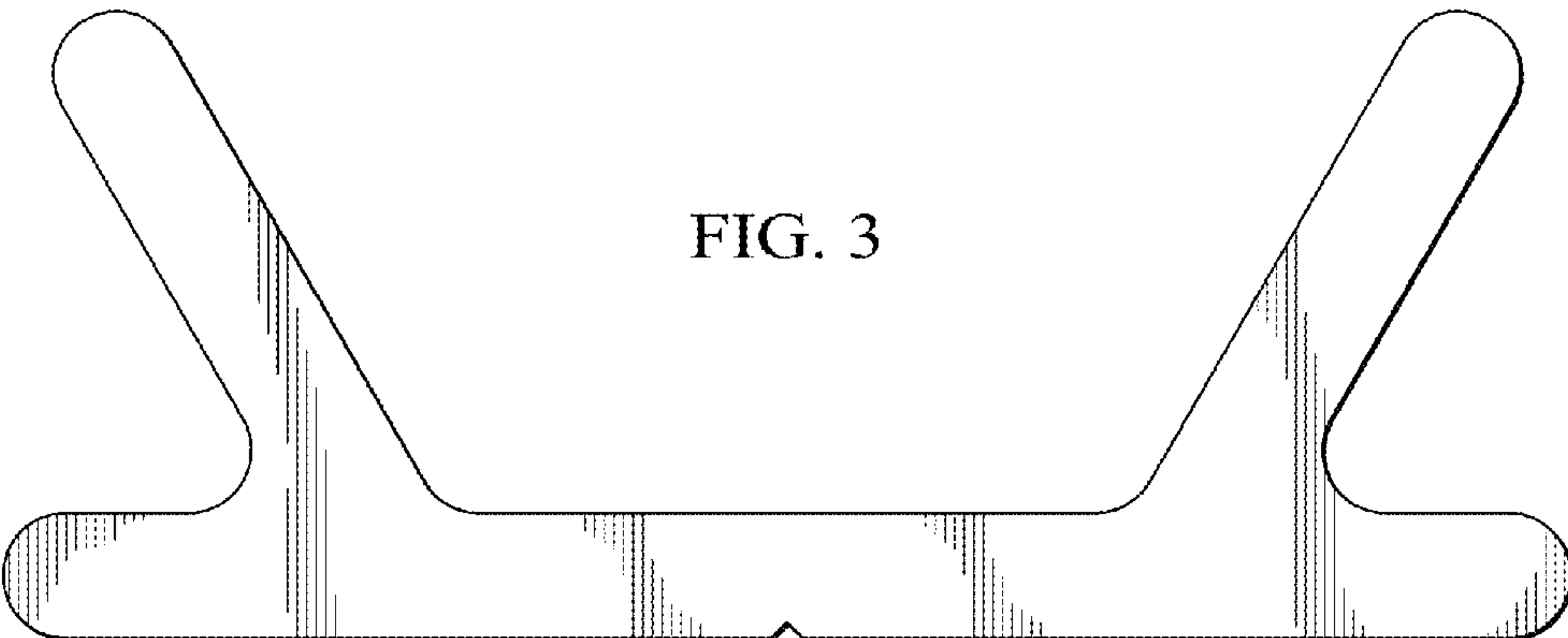
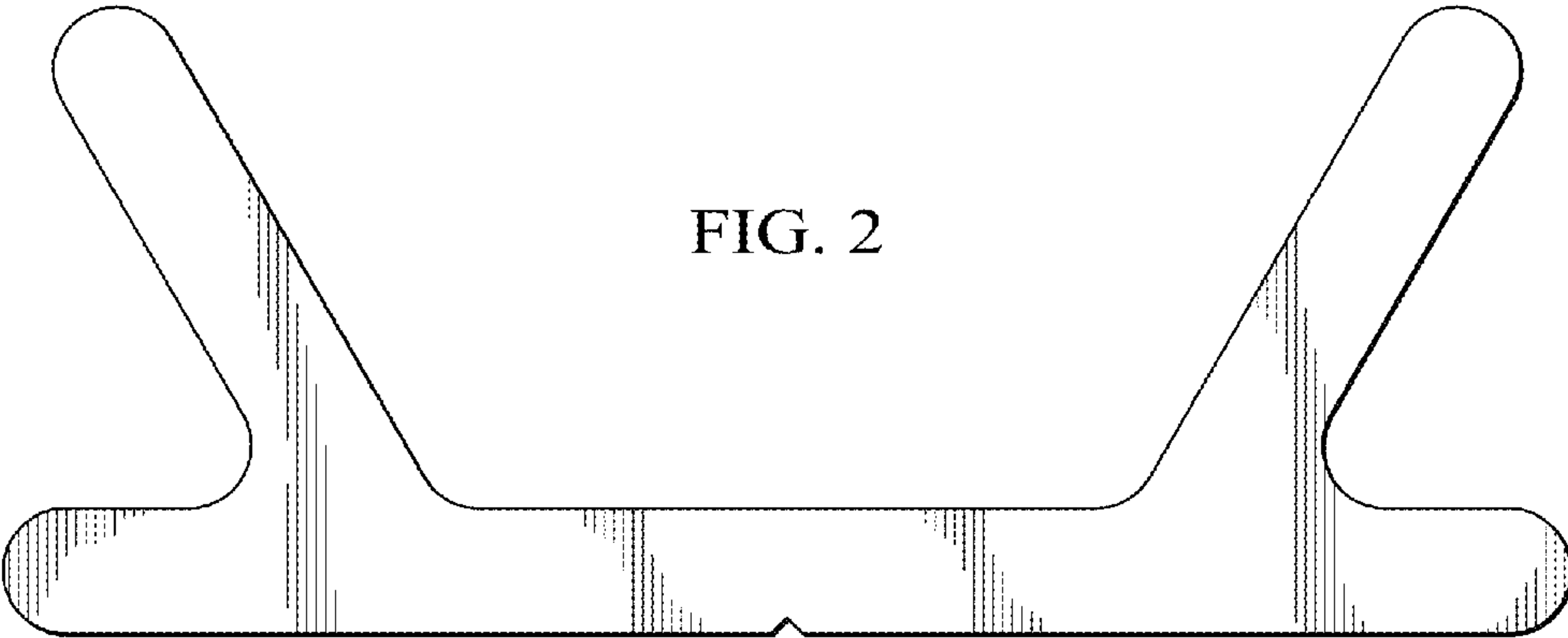


FIG. 4

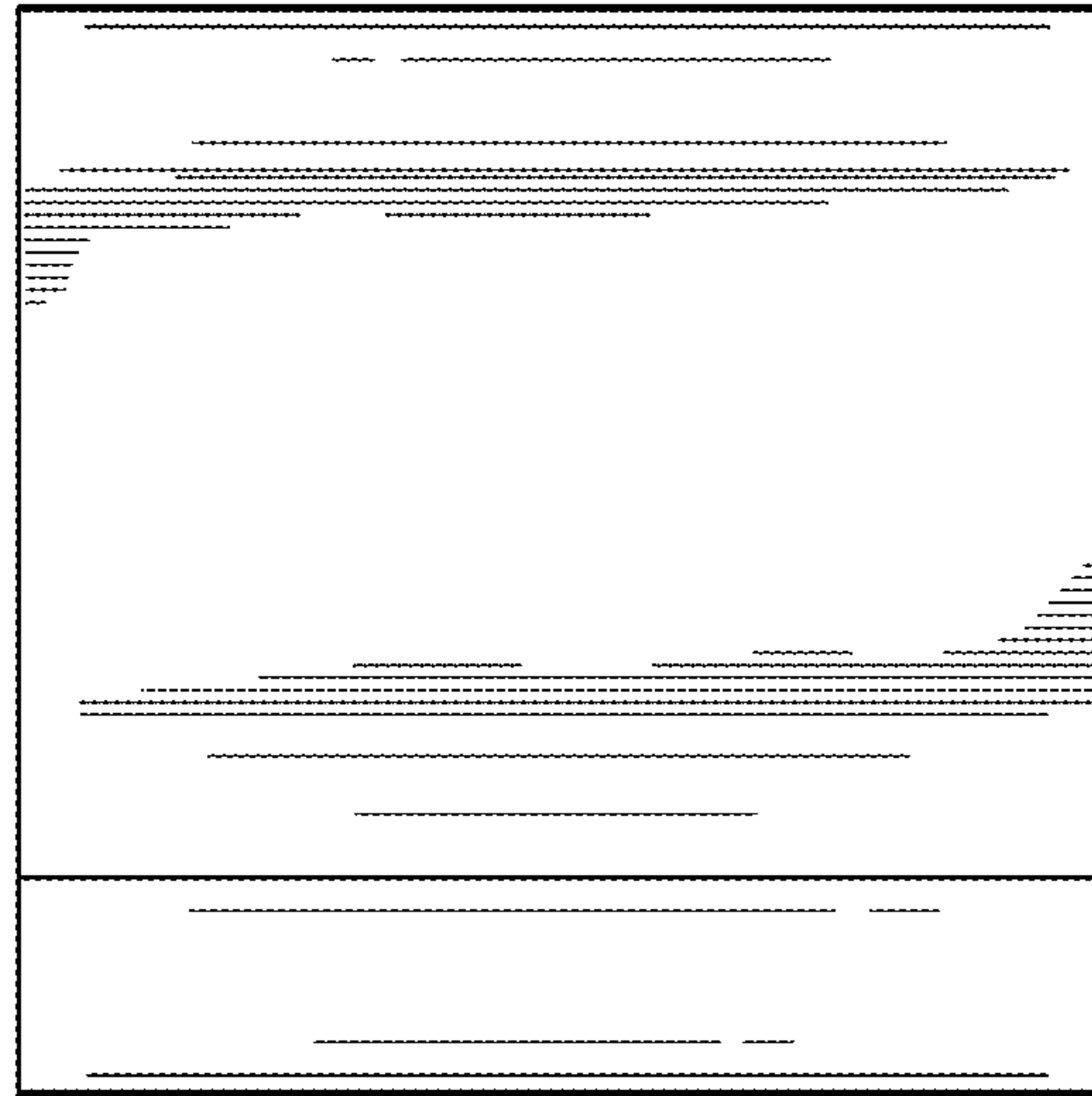
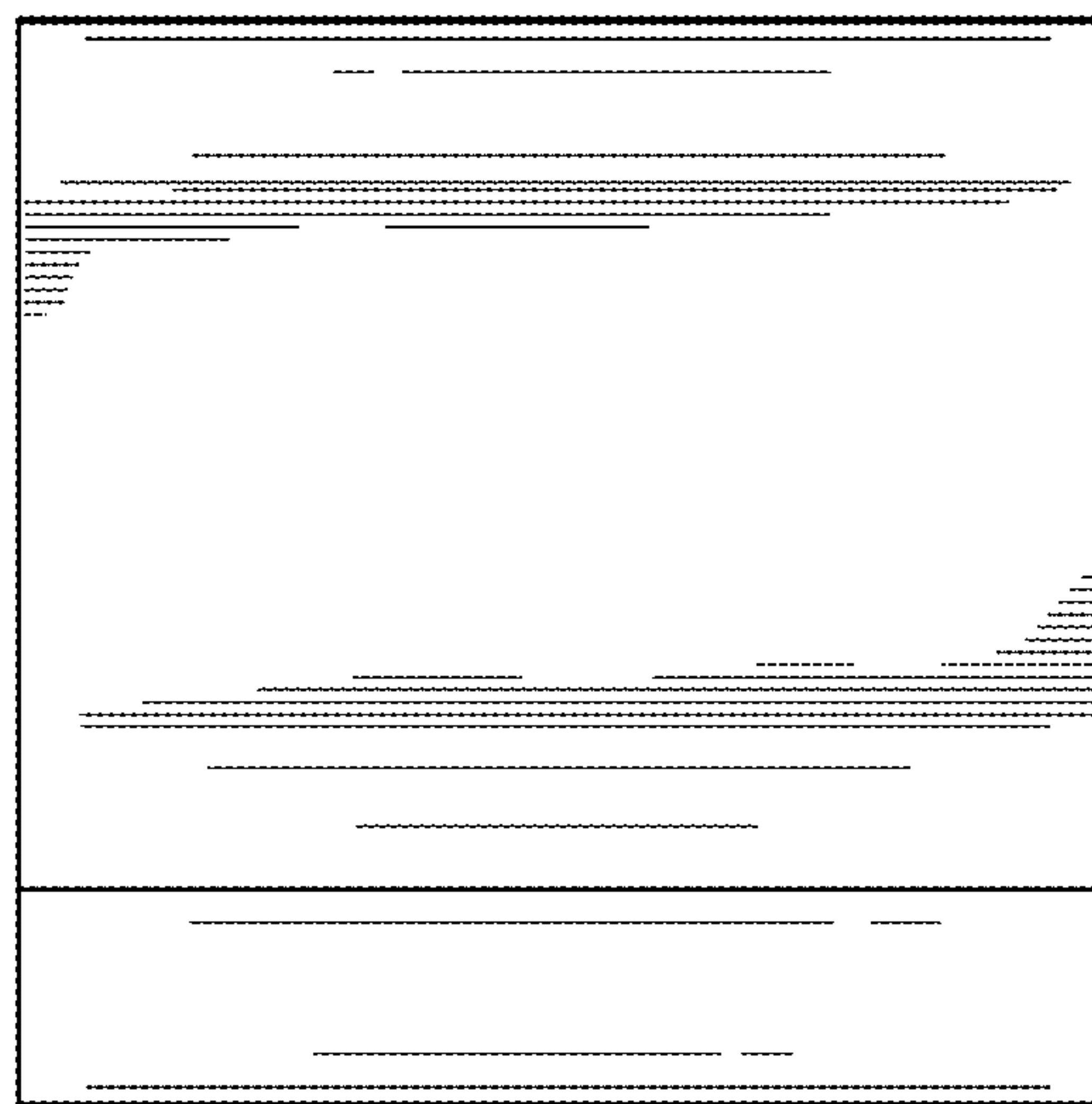


FIG. 5



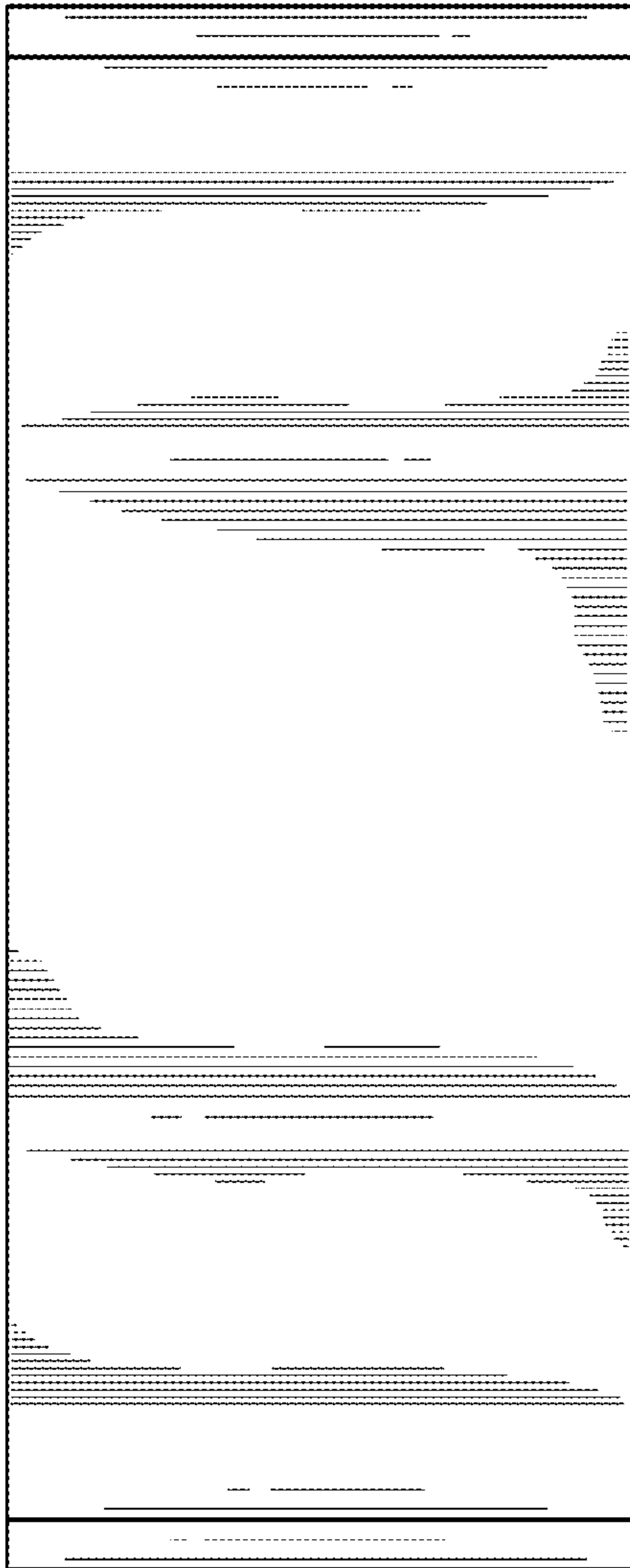


FIG. 6

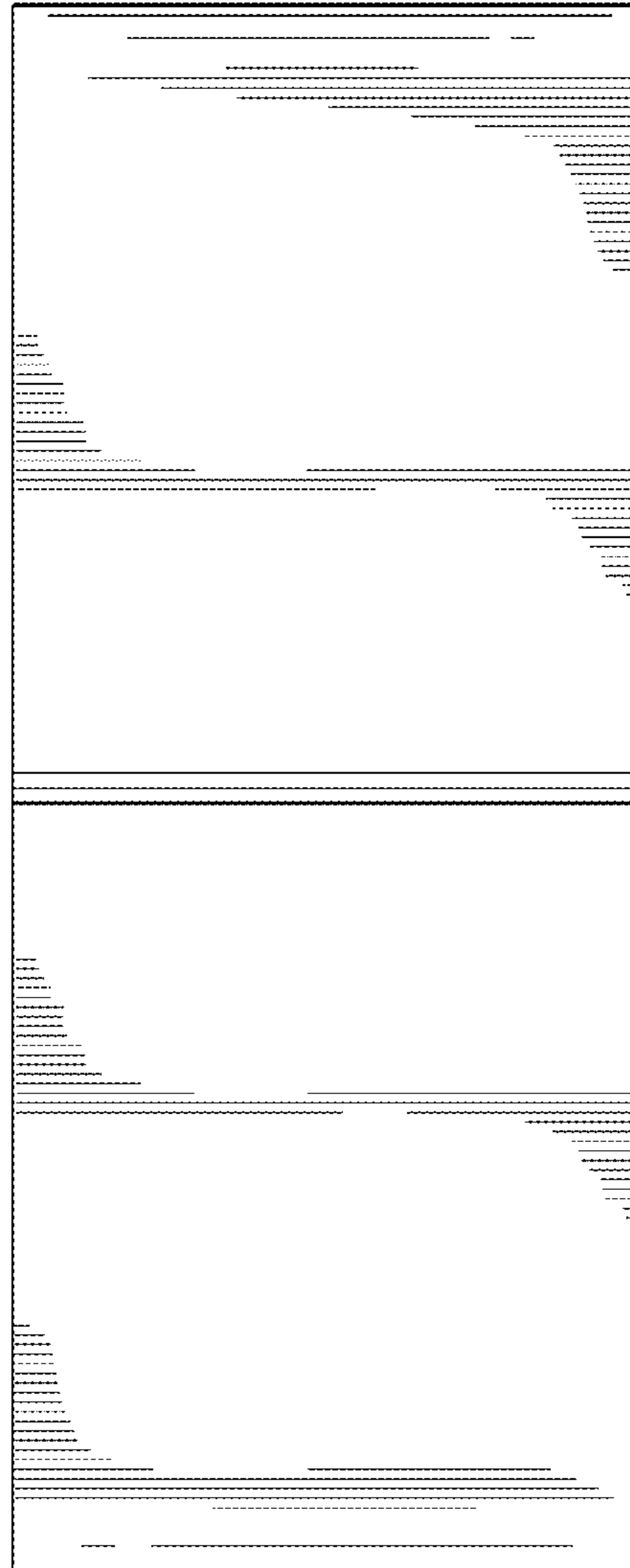


FIG. 7