



US00D681759S

(12) **United States Design Patent**
Treadway et al.

(10) **Patent No.:** **US D681,759 S**

(45) **Date of Patent:** **** May 7, 2013**

(54) **WEARABLE MOBILITY DEVICE**

(75) Inventors: **Peter A. Treadway**, Los Angeles, CA
(US); **Janelle Y. Wang**, Los Angeles, CA
(US)

(73) Assignee: **Acton, Inc.**, Altadena, CA (US)

(**) Term: **14 Years**

(21) Appl. No.: **29/404,941**

(22) Filed: **Oct. 26, 2011**

(51) **LOC (9) Cl.** **21-02**

(52) **U.S. Cl.**
USPC **D21/763**

(58) **Field of Classification Search** D21/763,
D21/764, 760, 419, 420, 421, 423, 771, 779;
280/11.25, 11.14, 11.16, 11.19, 11.226, 11.233,
280/11.23, 809, 811; 180/65.51
See application file for complete search history.

(56) **References Cited**

U.S. PATENT DOCUMENTS

6,572,121	B2 *	6/2003	Shih	280/11.33
D535,714	S *	1/2007	Cheng et al.	D21/763
7,341,261	B2 *	3/2008	Shing	280/11.27
7,850,175	B2 *	12/2010	Wegener	280/11.19

8,308,171	B2 *	11/2012	Farrelly	280/11.27
2004/0041359	A1 *	3/2004	Im	280/11.25
2010/0090423	A1 *	4/2010	Farrelly	280/11.27
2012/0285756	A1 *	11/2012	Treadway	180/65.51

* cited by examiner

Primary Examiner — T. Chase Nelson

Assistant Examiner — Ania Aman

(74) *Attorney, Agent, or Firm* — Gardere Wynne Sewell LLP

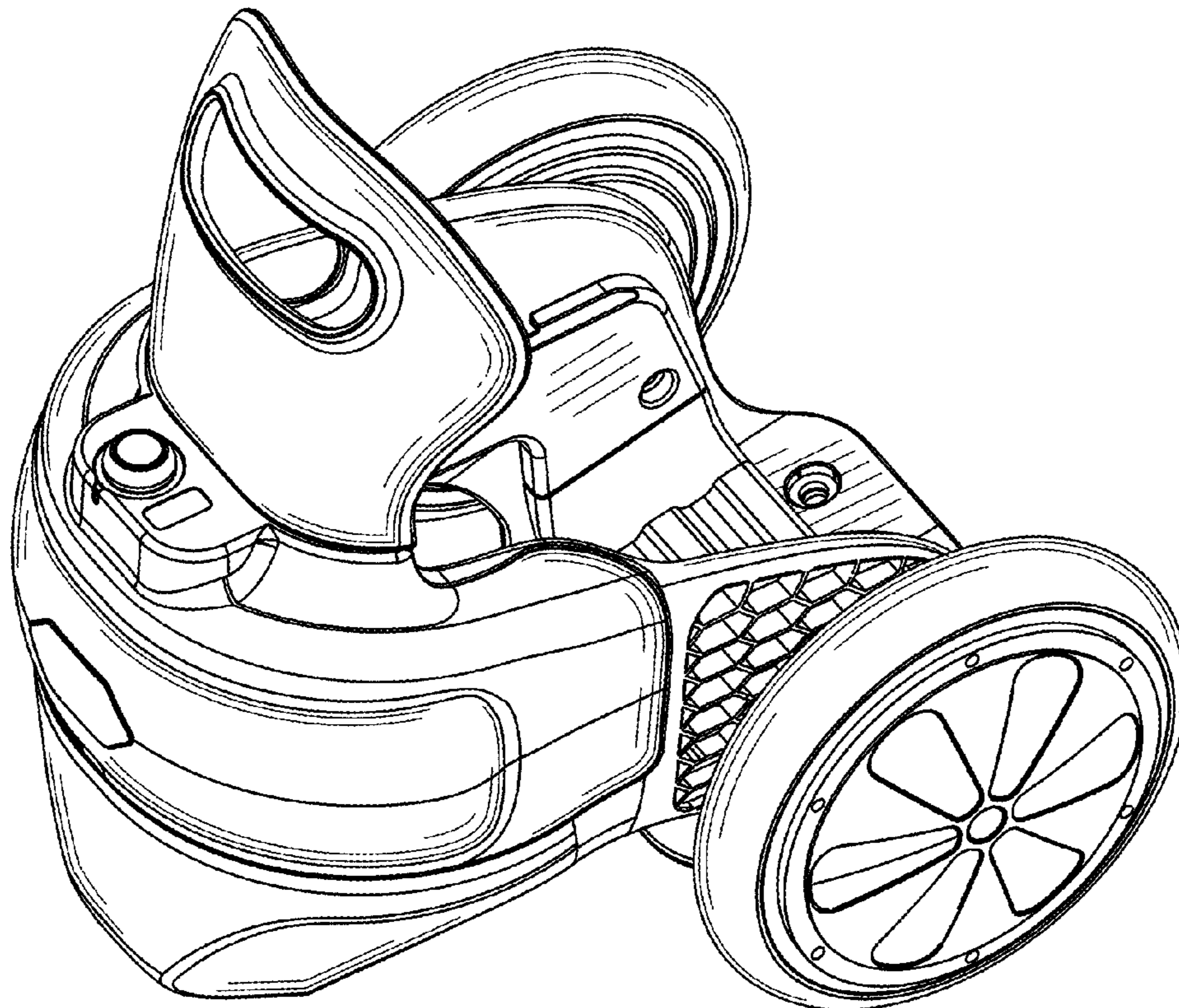
(57) **CLAIM**

The ornamental design for a wearable mobility device, as shown.

DESCRIPTION

FIG. 1 is a top right rear perspective view of a wearable mobility device showing my new design;
FIG. 2 is a top left front perspective view thereof;
FIG. 3 is a bottom front right perspective view thereof;
FIG. 4 is a bottom left rear perspective view thereof;
FIG. 5 is a top plan view thereof;
FIG. 6 is a bottom plan view thereof;
FIG. 7 is a right side view thereof;
FIG. 8 is a left side view thereof;
FIG. 9 is a rear view thereof; and,
FIG. 10 is a front view thereof.

1 Claim, 10 Drawing Sheets



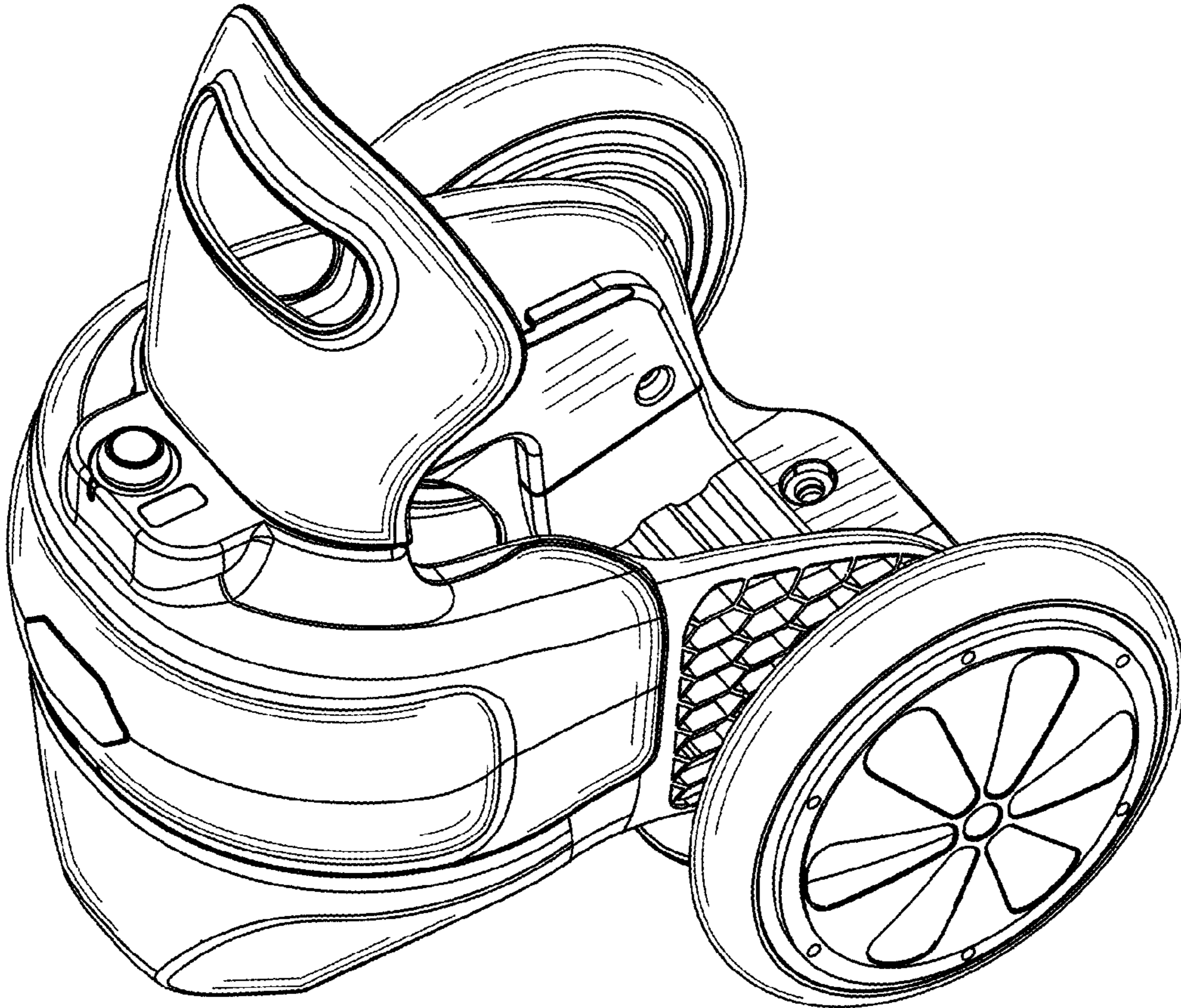


FIG. 1

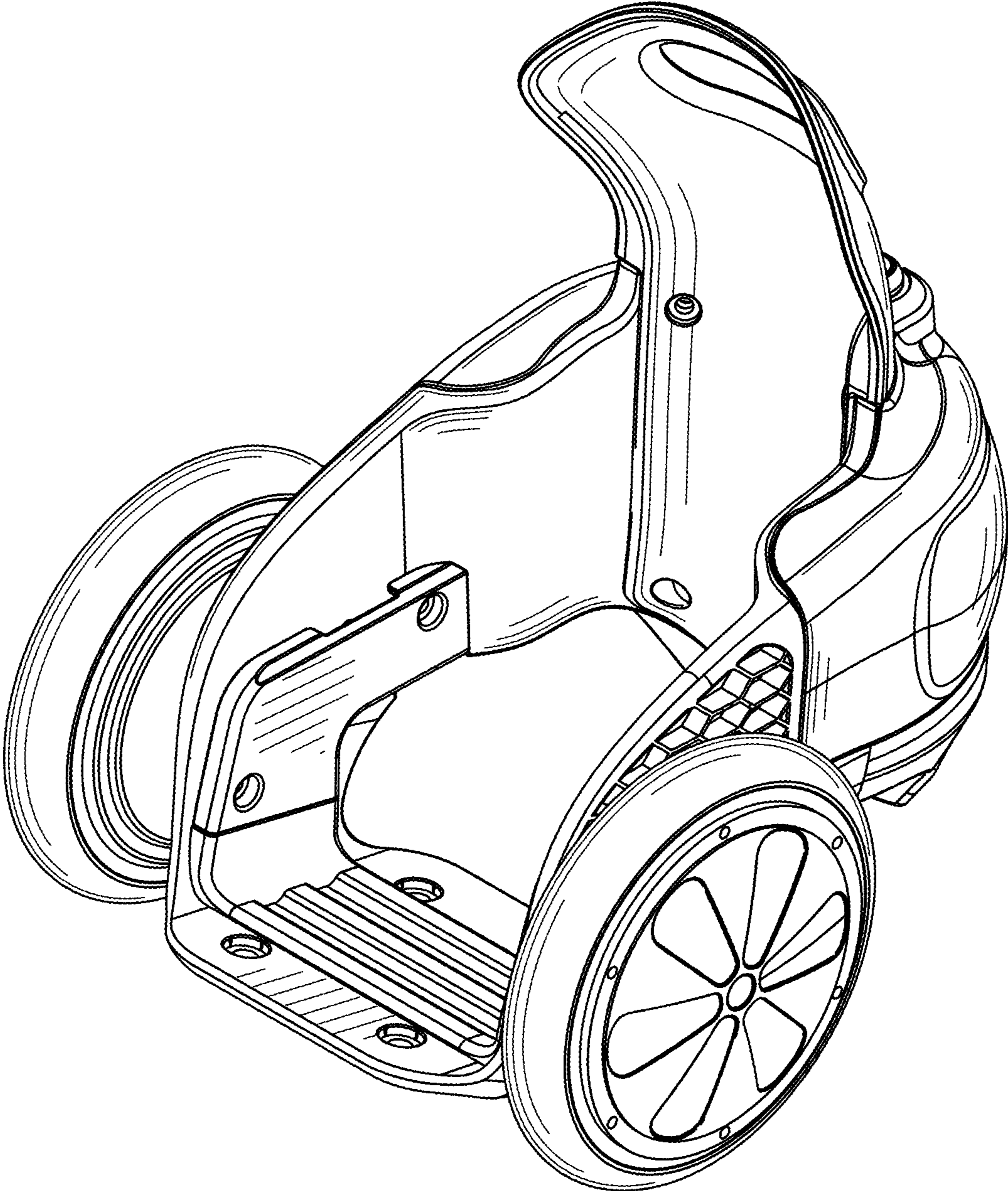


FIG. 2

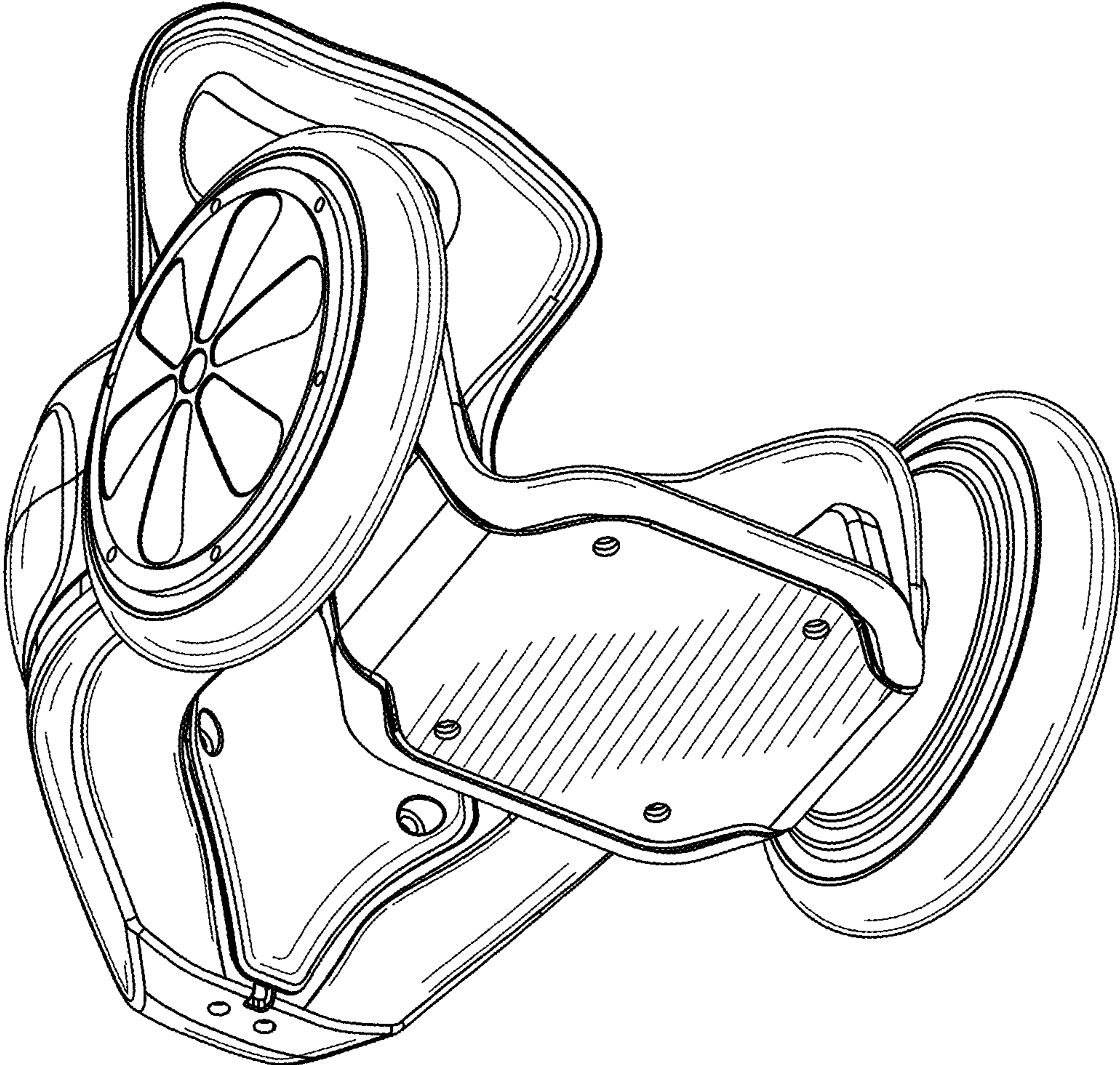


FIG. 3

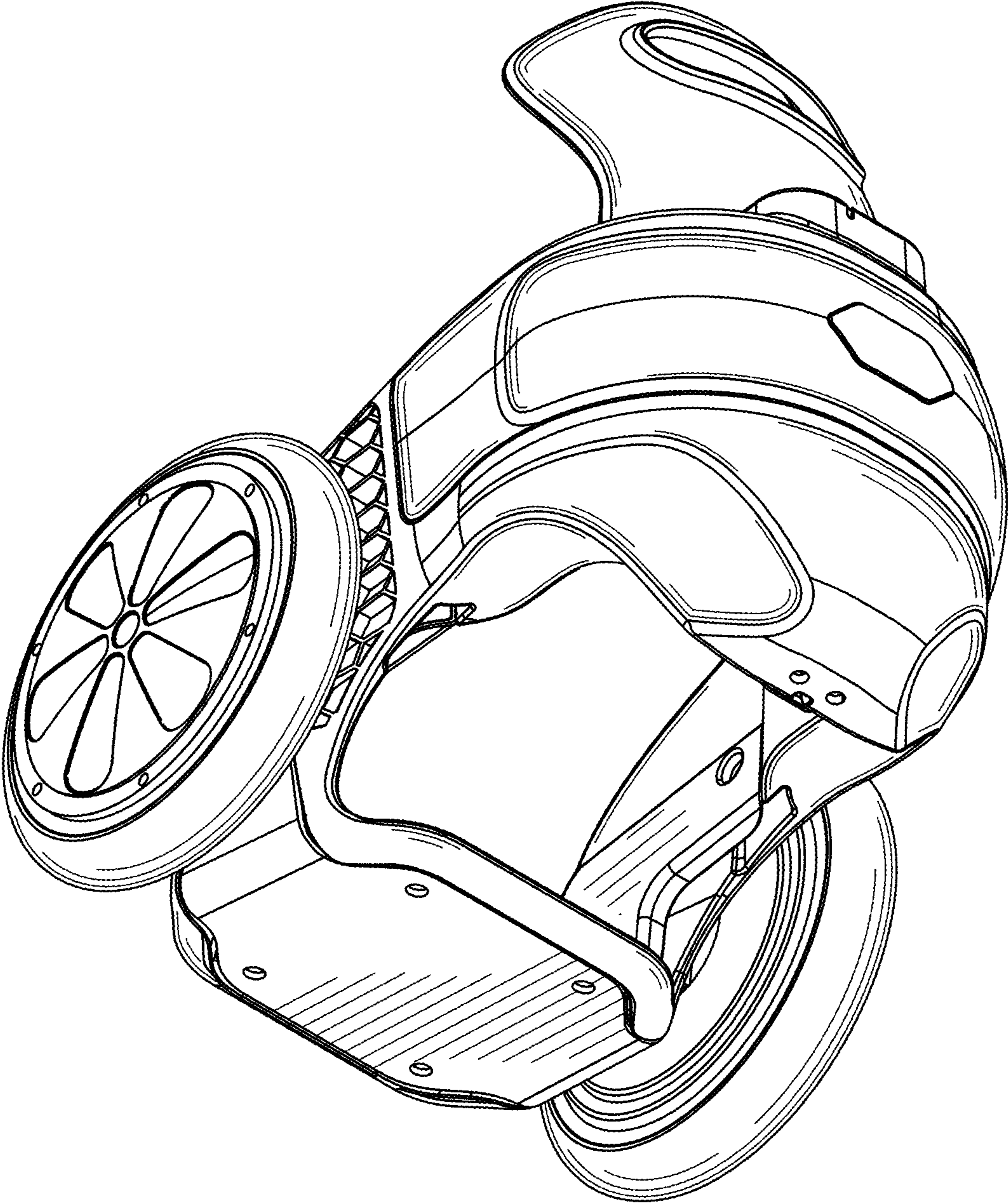


FIG. 4

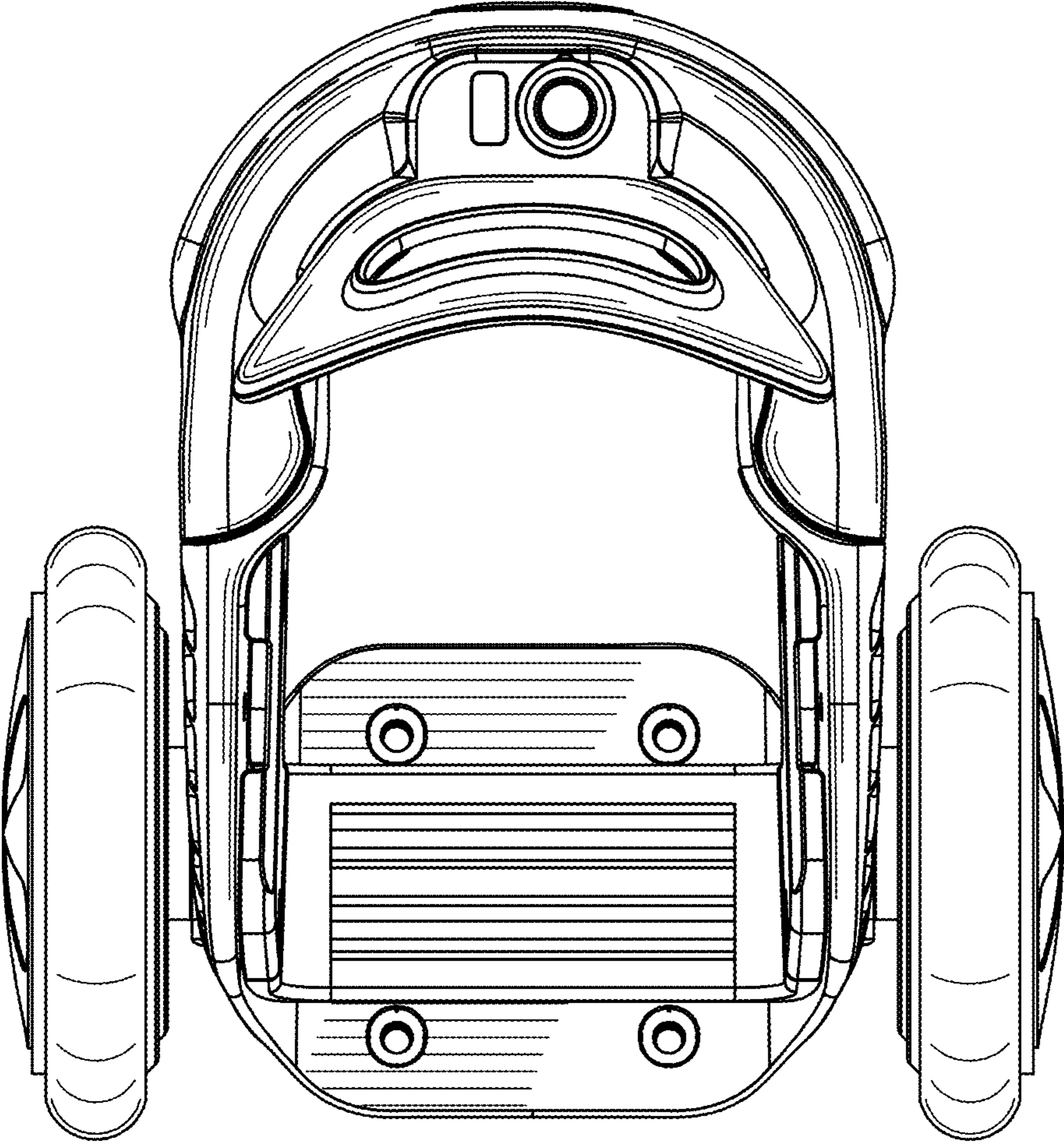


FIG. 5

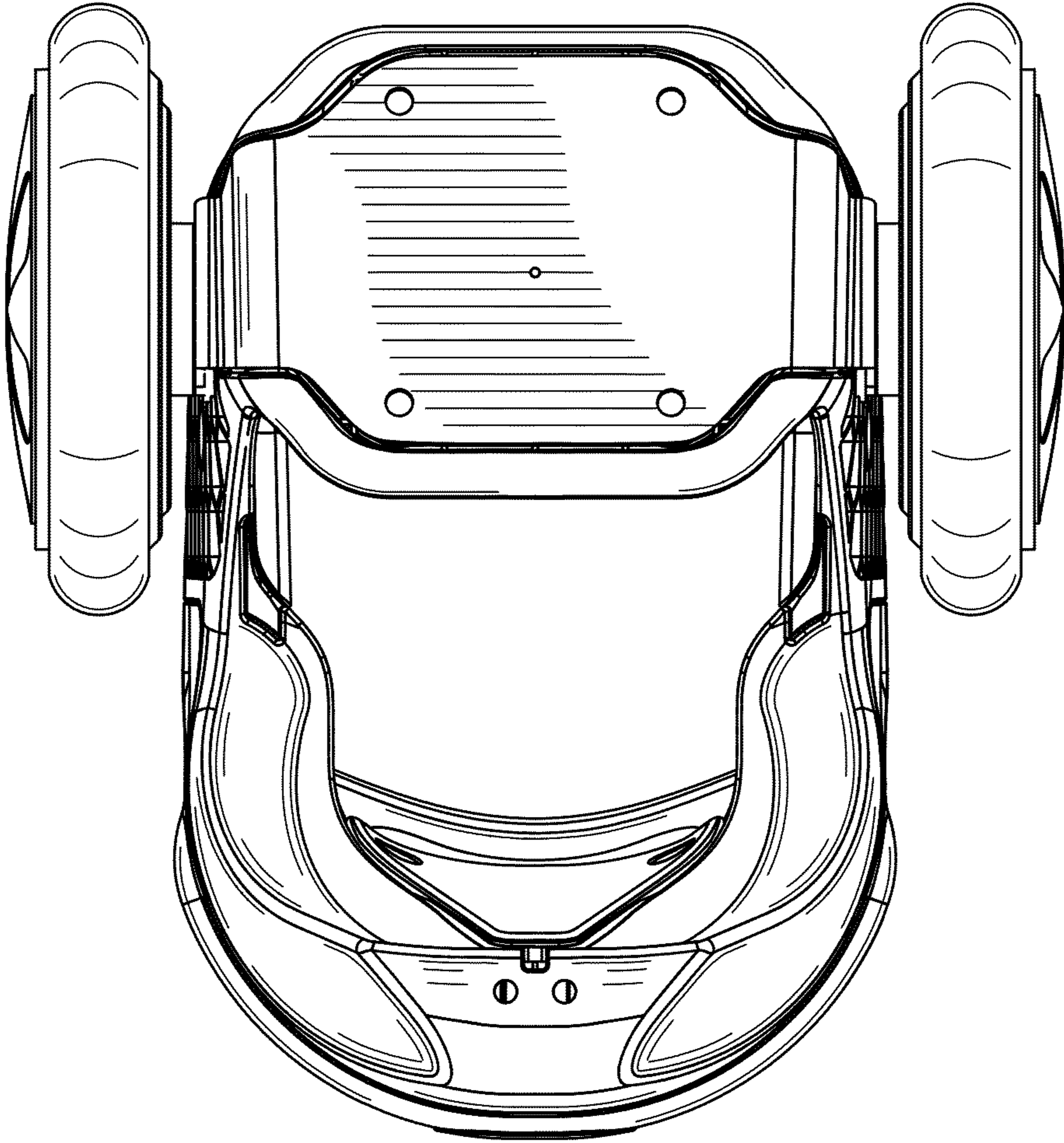


FIG. 6

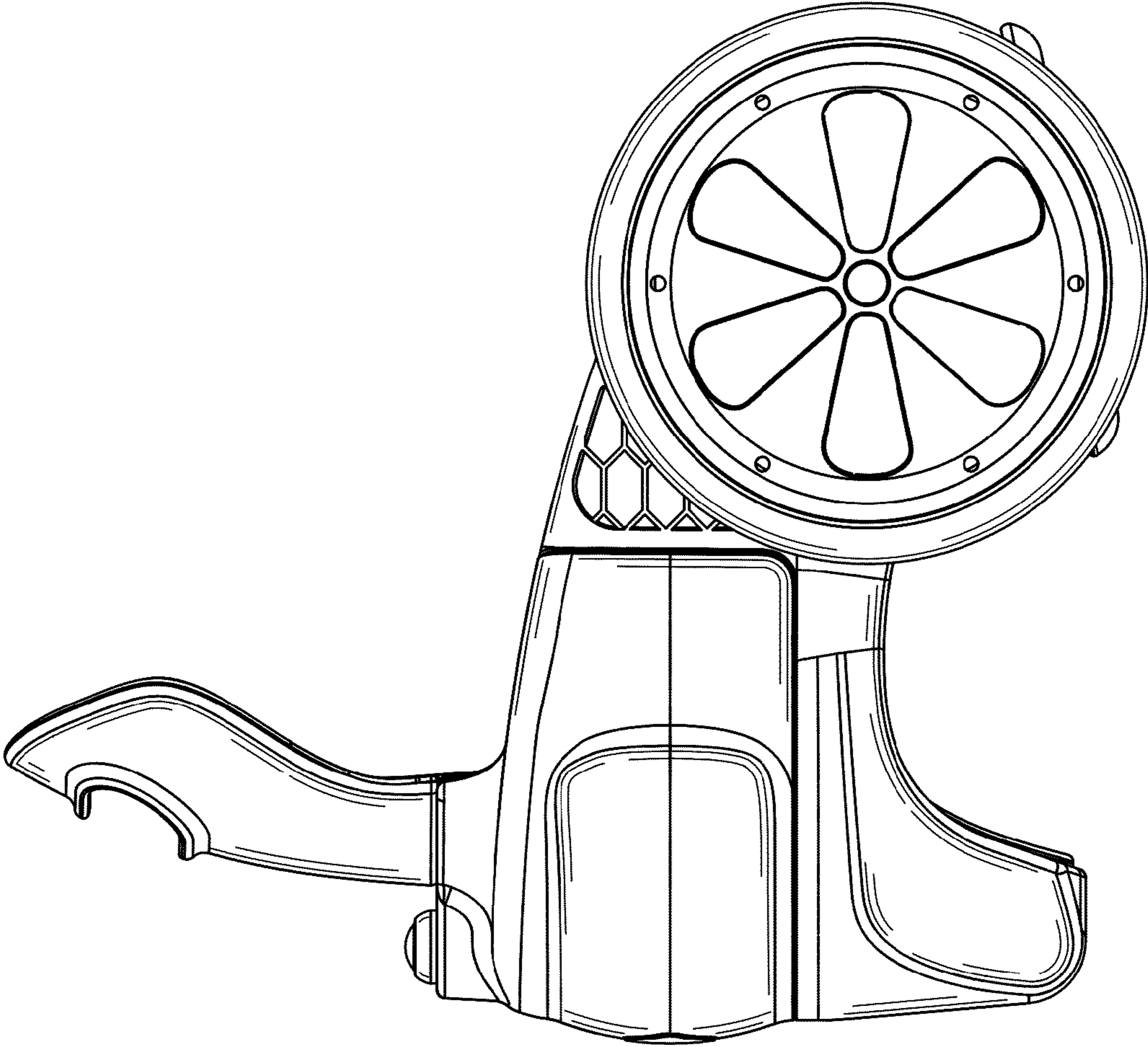


FIG. 7

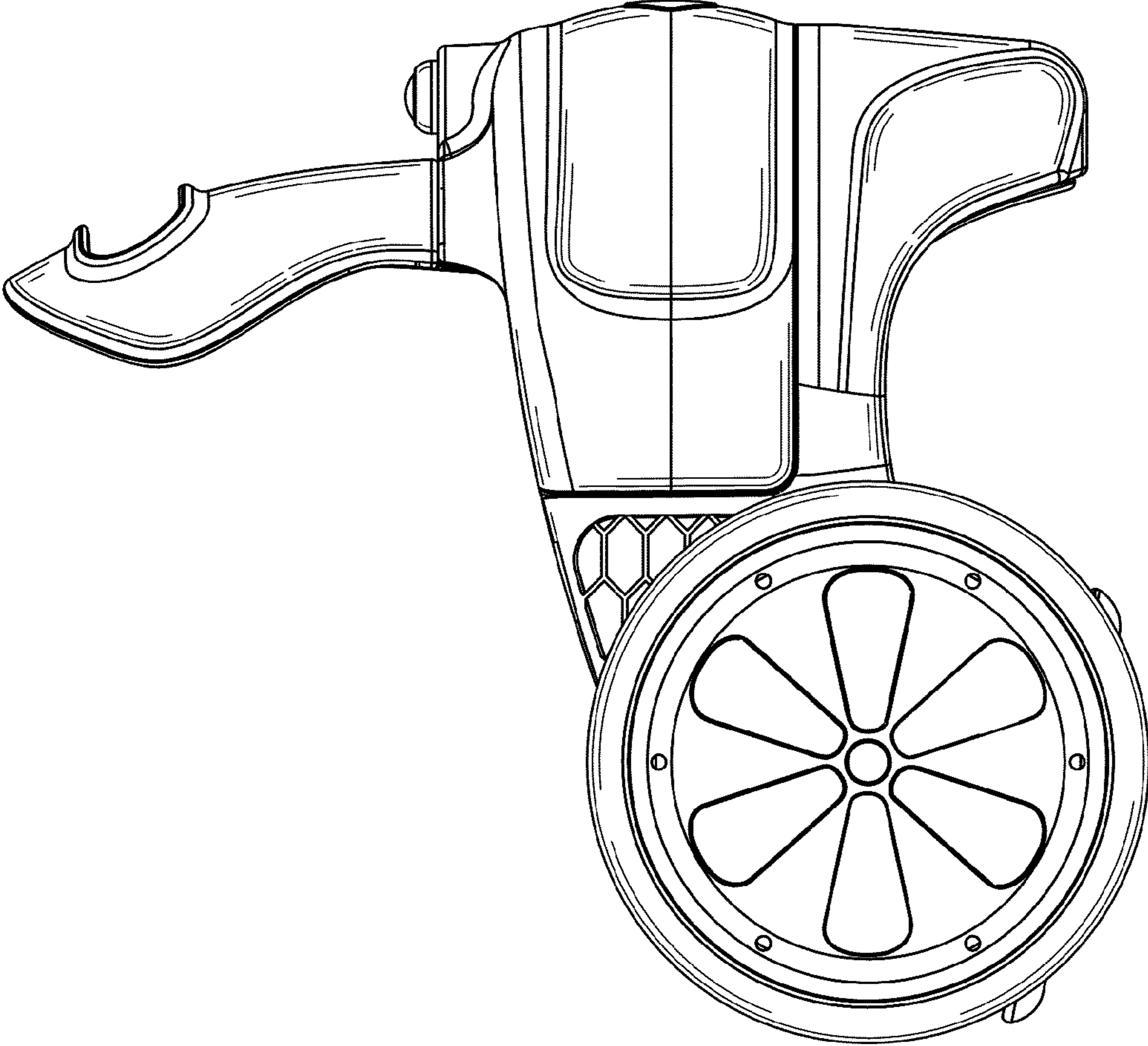


FIG. 8

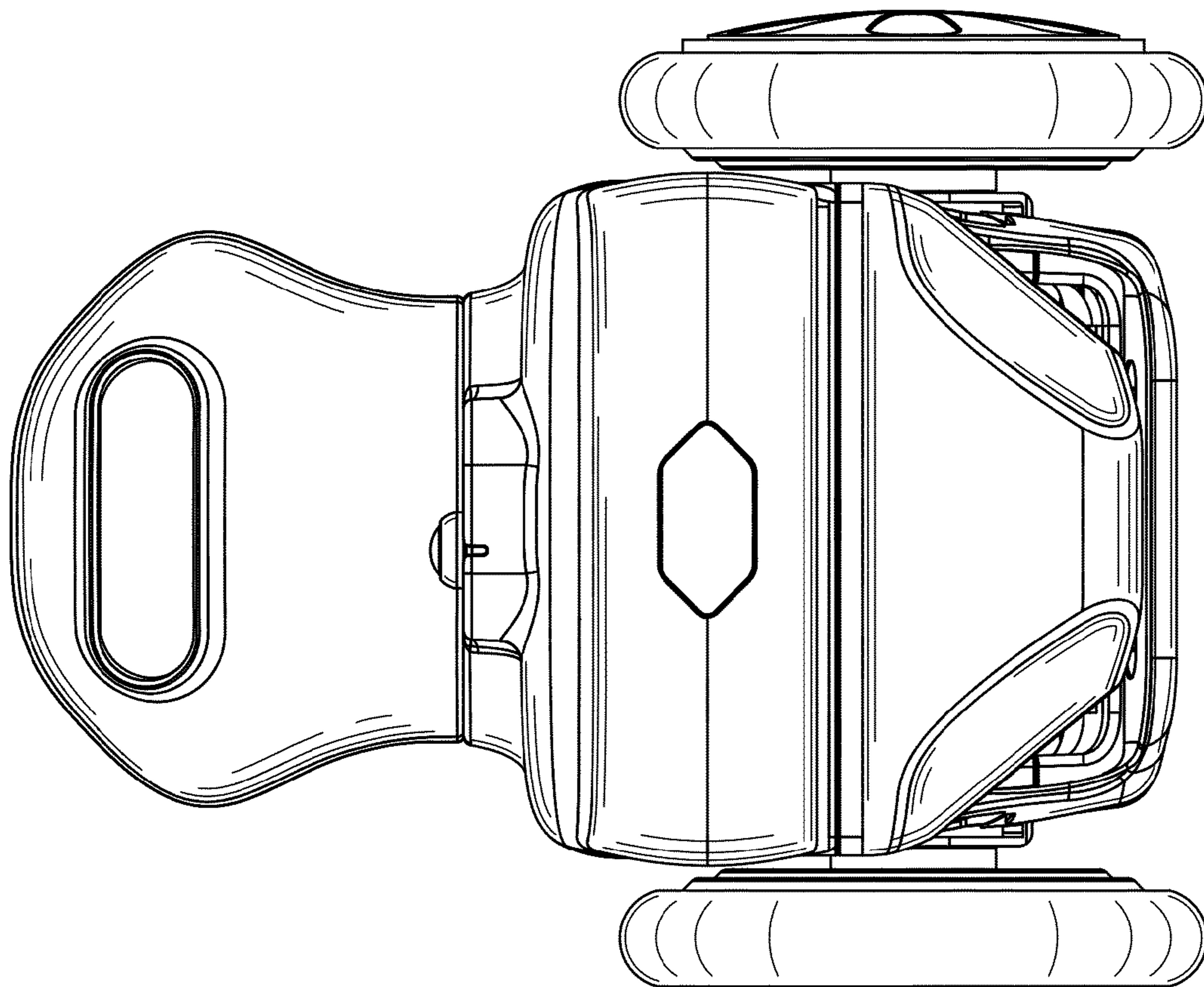


FIG. 9

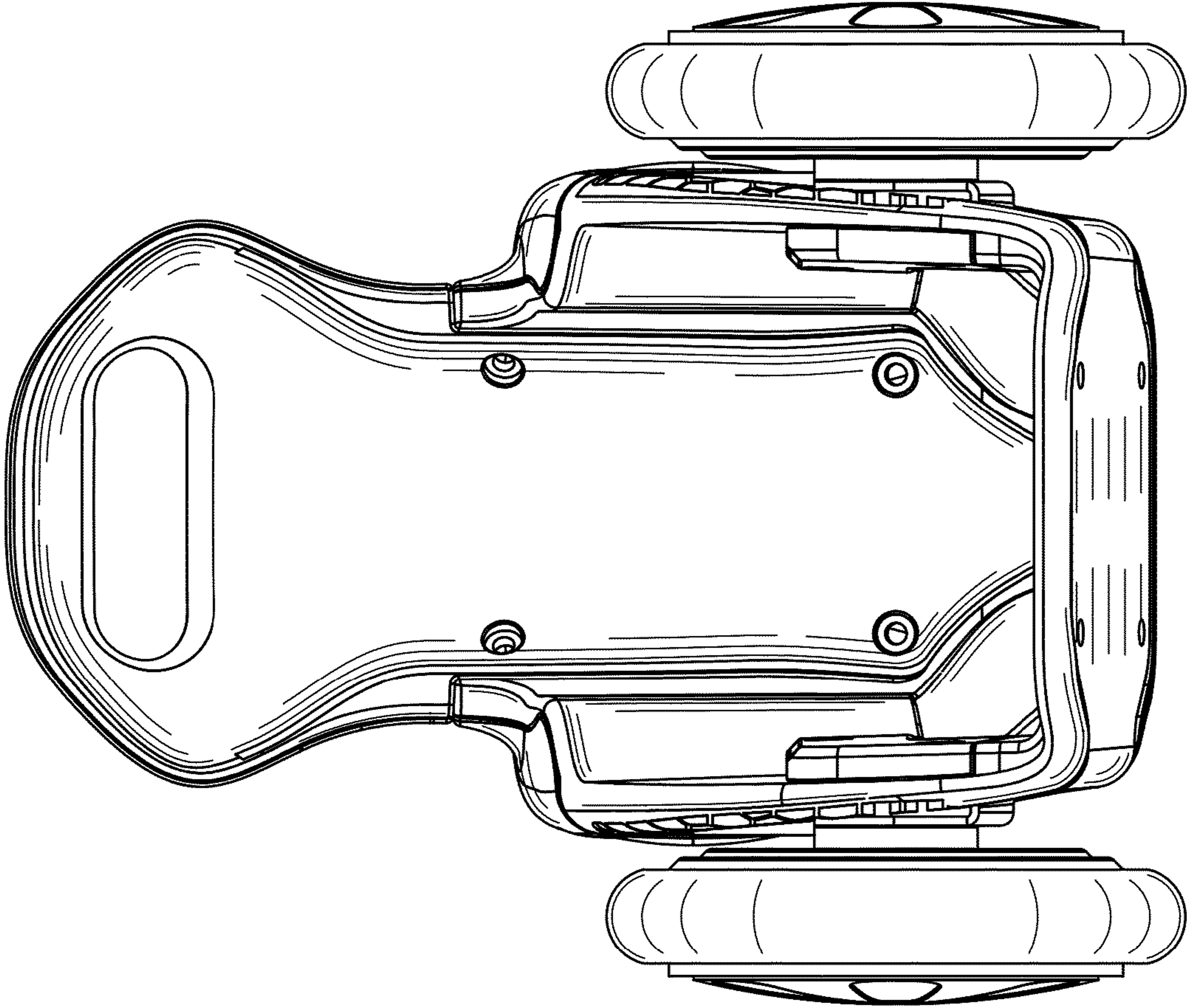


FIG. 10