



US00D681756S

(12) **United States Design Patent**
Wong

(10) **Patent No.:** **US D681,756 S**

(45) **Date of Patent:** **** May 7, 2013**

(54) **PUTTER HEAD**

(76) Inventor: **Dennis Wong**, Vancouver (CA)

(**) Term: **14 Years**

(21) Appl. No.: **29/423,841**

(22) Filed: **Jun. 5, 2012**

(51) **LOC (9) Cl.** **21-02**

(52) **U.S. Cl.**
USPC **D21/744**

(58) **Field of Classification Search** D21/736-746;
473/324-331, 340-341, 251-256
See application file for complete search history.

(56) **References Cited**

U.S. PATENT DOCUMENTS

D378,392 S *	3/1997	Shumway	D21/743
D537,134 S *	2/2007	Imamoto	D21/736
D539,370 S *	3/2007	Imamoto	D21/736
D541,894 S *	5/2007	Imamoto	D21/736
D568,427 S *	5/2008	Nguyen et al.	D21/743

7,588,499 B2 *	9/2009	Tateno	473/251
D643,894 S *	8/2011	Price et al.	D21/744
D645,923 S *	9/2011	Price et al.	D21/736

* cited by examiner

Primary Examiner — Mitchell Siegel

(74) *Attorney, Agent, or Firm* — Smiths IP

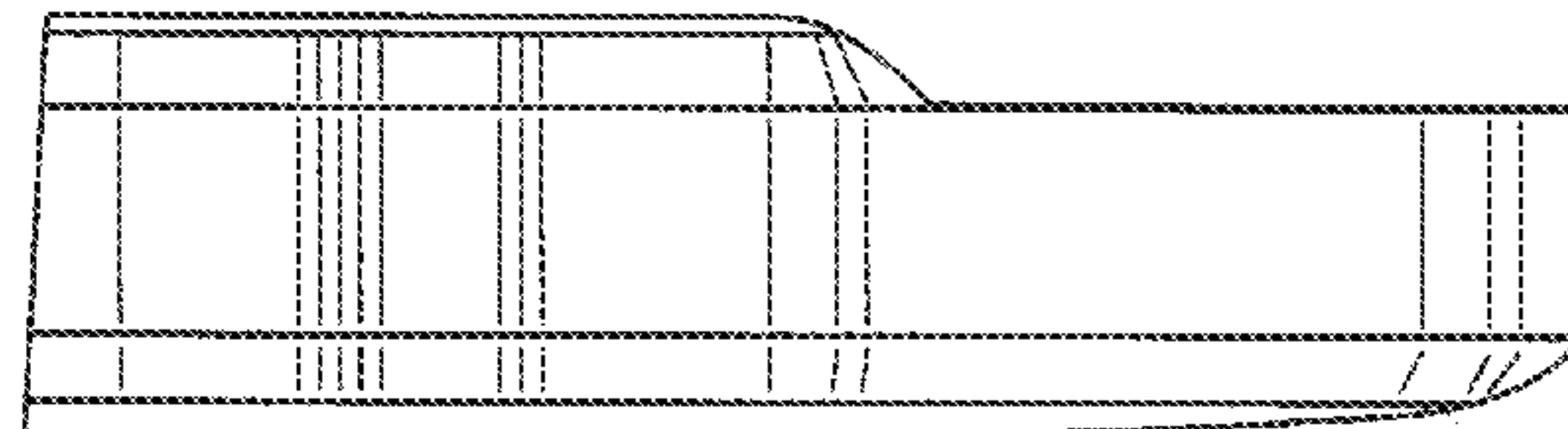
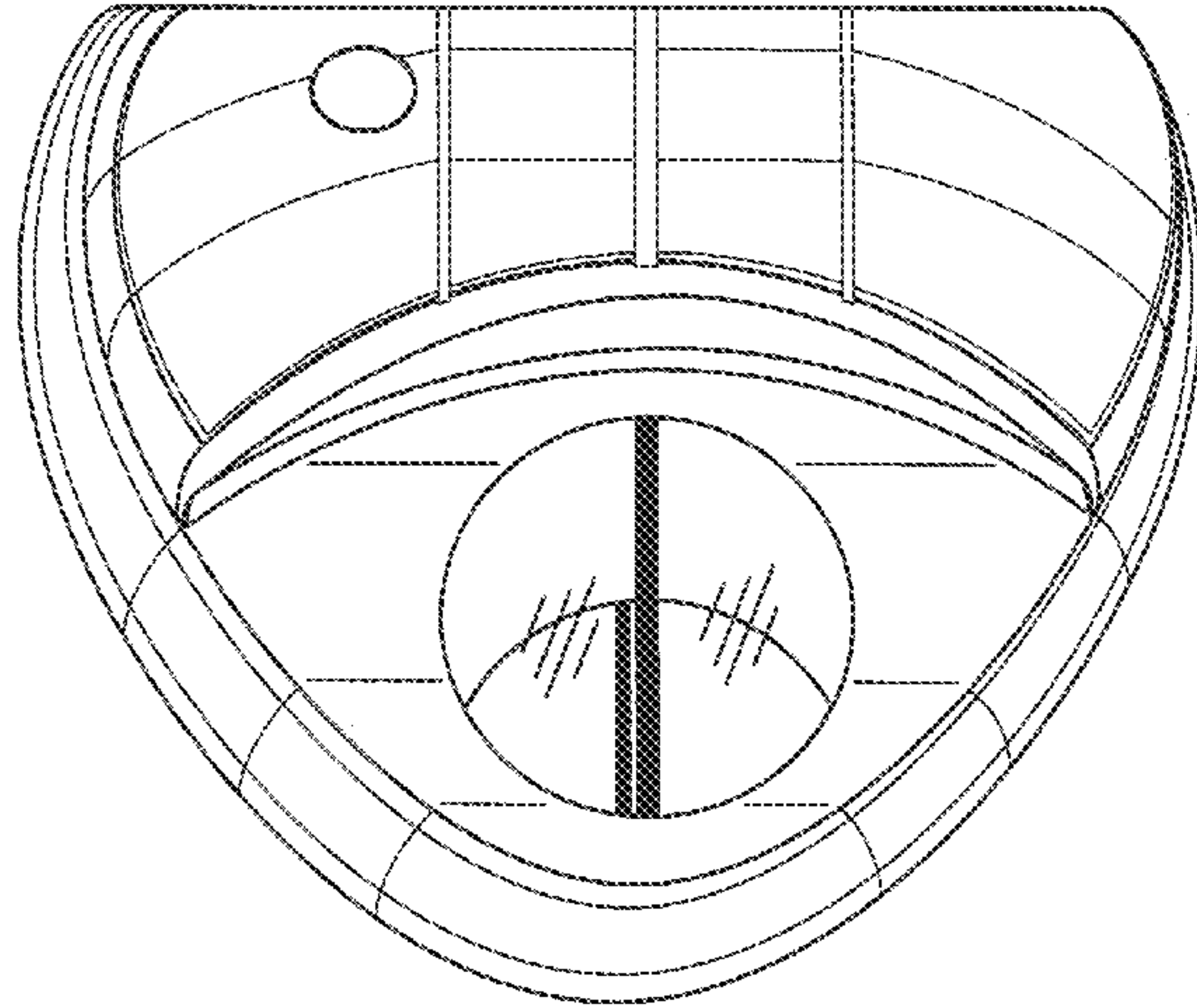
(57) **CLAIM**

The ornamental design for a putter head, as shown and described.

DESCRIPTION

FIG. 1 is a perspective view of a putter head showing my new design, viewed from the front, above, and one side;
FIG. 2 is another perspective view of the putter head of FIG. 1, viewed from the rear, above, and one side;
FIG. 3 is a front elevation view of the putter head of FIG. 1;
FIG. 4 is a rear elevation view of the putter head of FIG. 1;
FIG. 5 is a side elevation view of the putter head of FIG. 1, the other side being a mirror image thereof;
FIG. 6 is a top plan view of the putter head of FIG. 1; and
FIG. 7 is a bottom plan view of the putter head of FIG. 1.

1 Claim, 7 Drawing Sheets



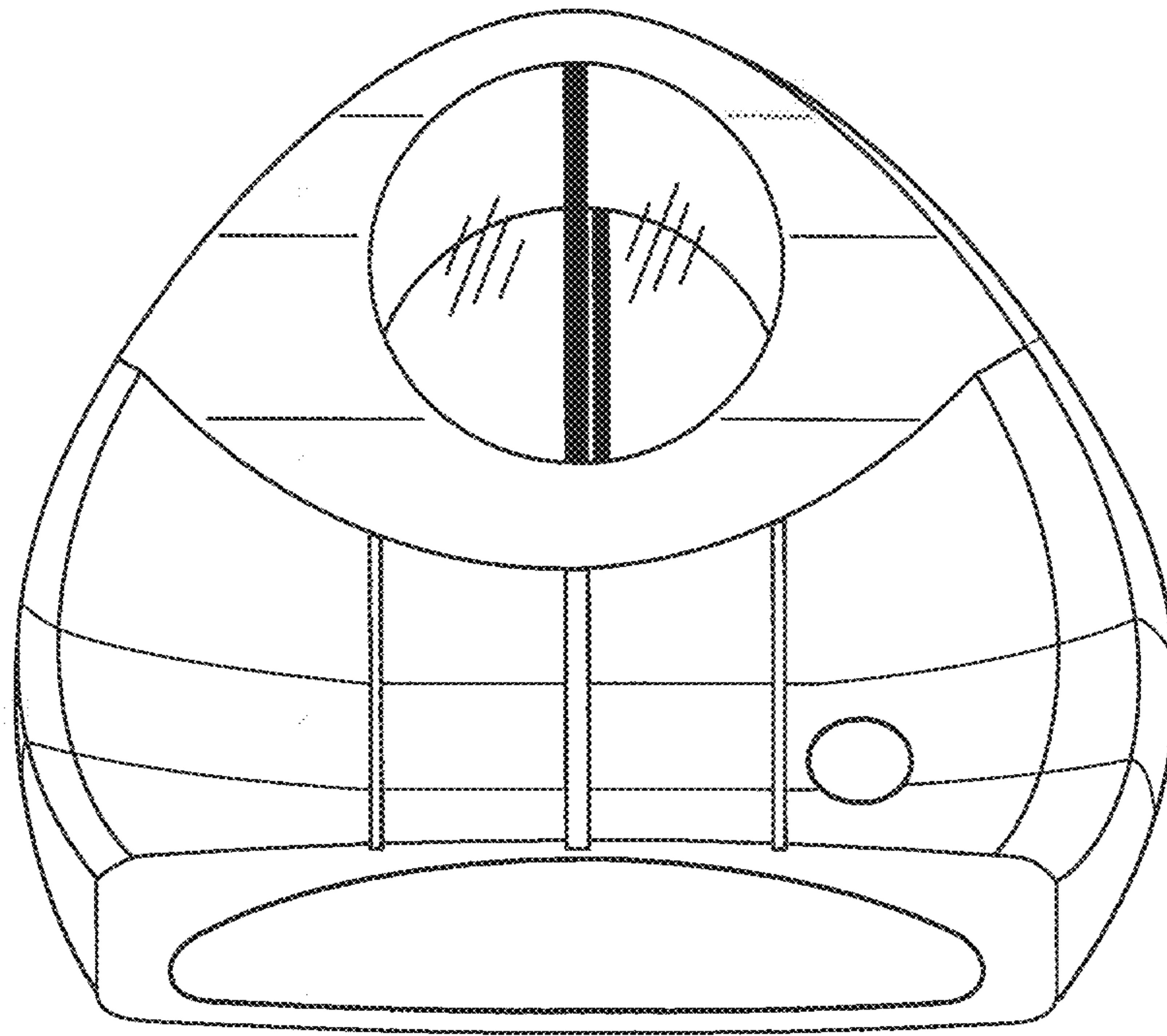


Fig. 1

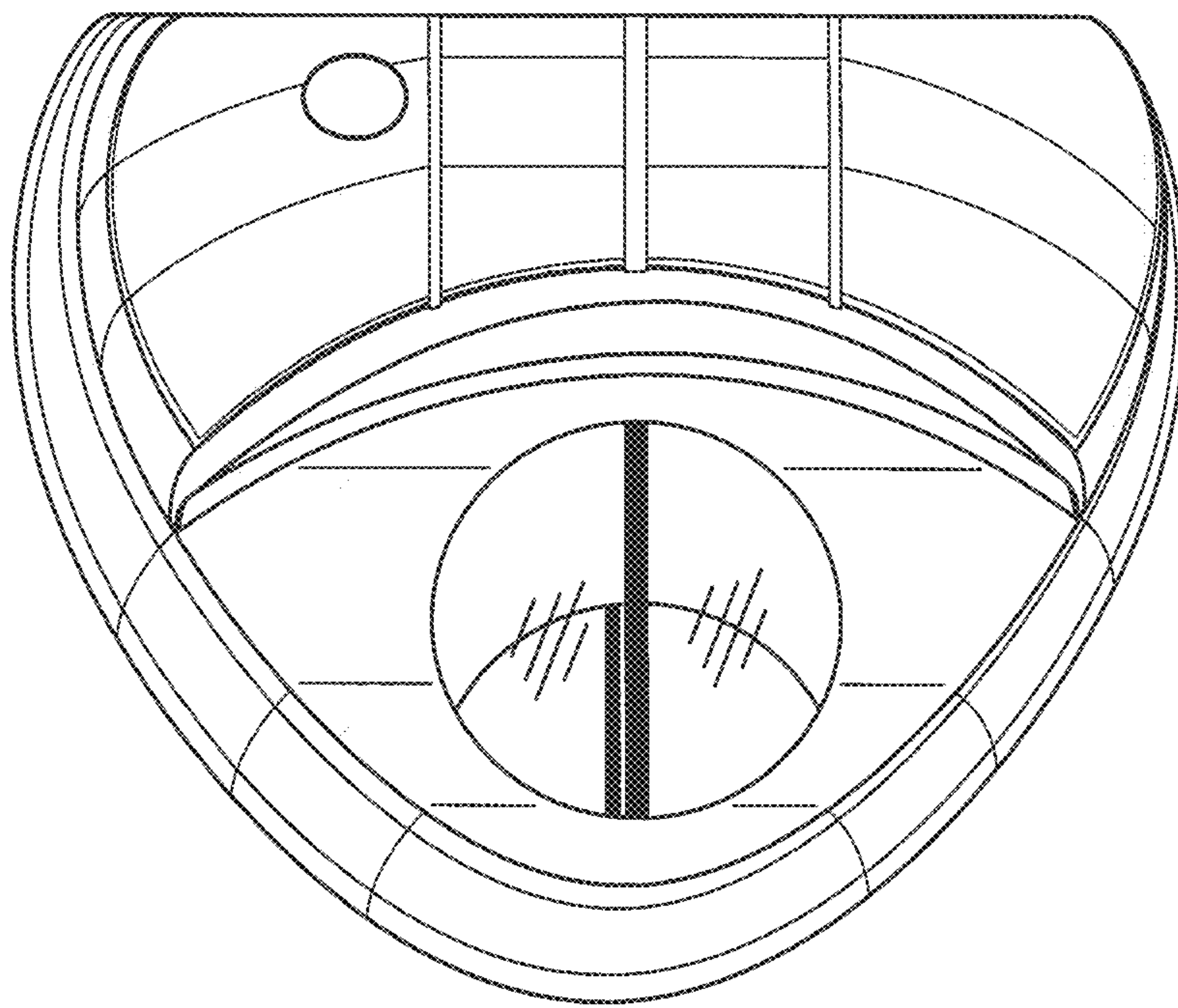


Fig. 2

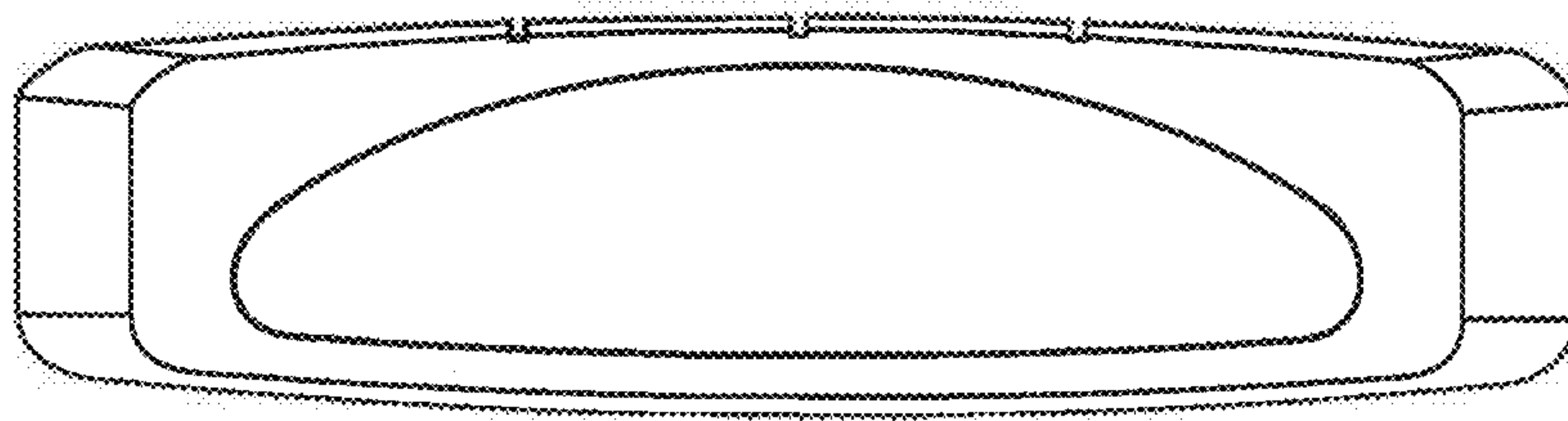


Fig. 3

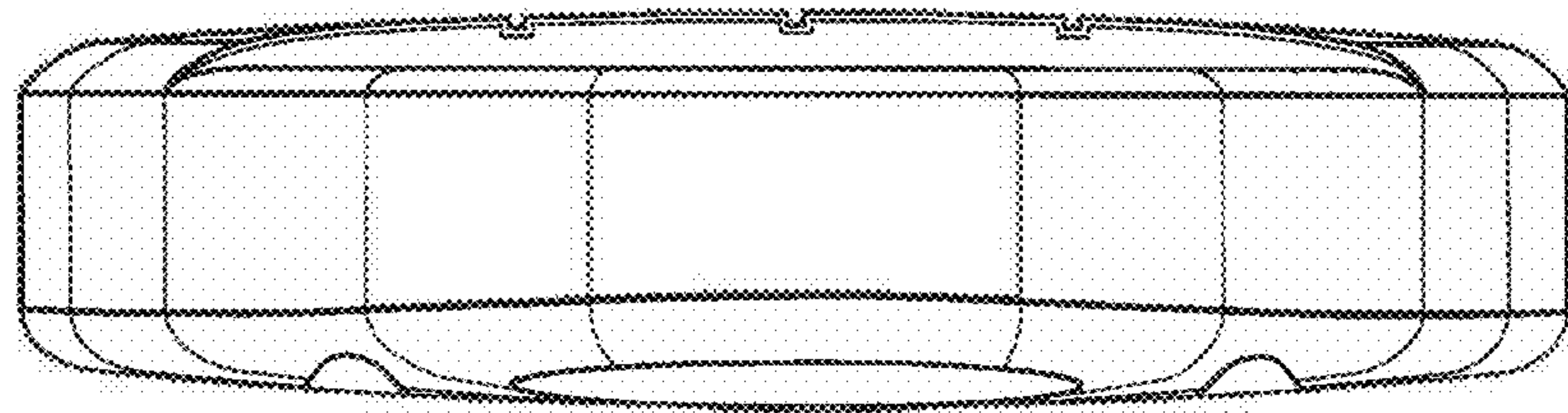


Fig. 4

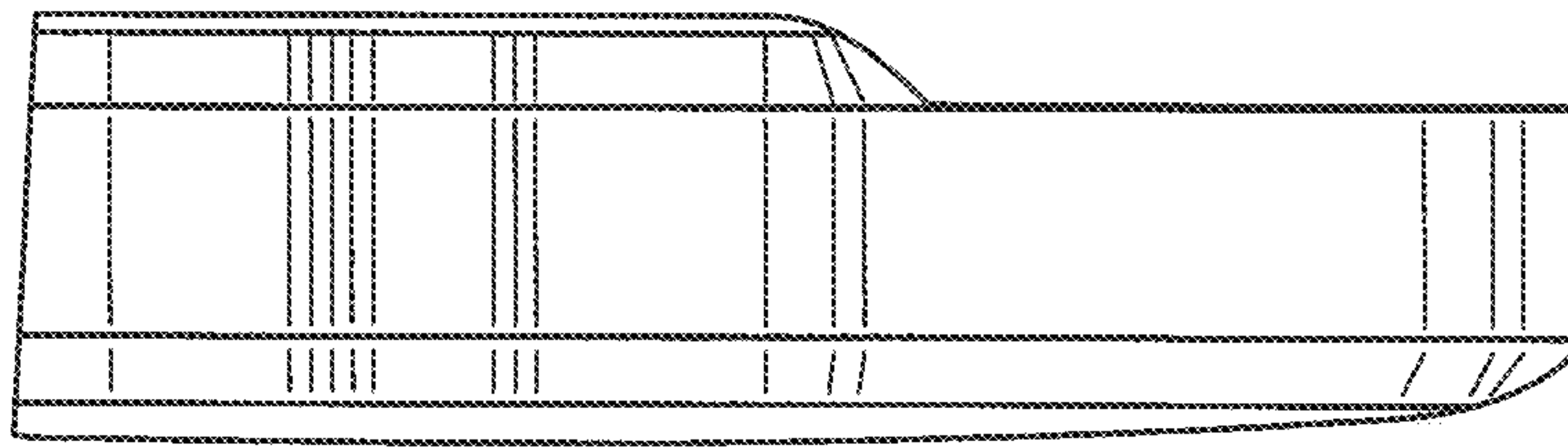


Fig. 5

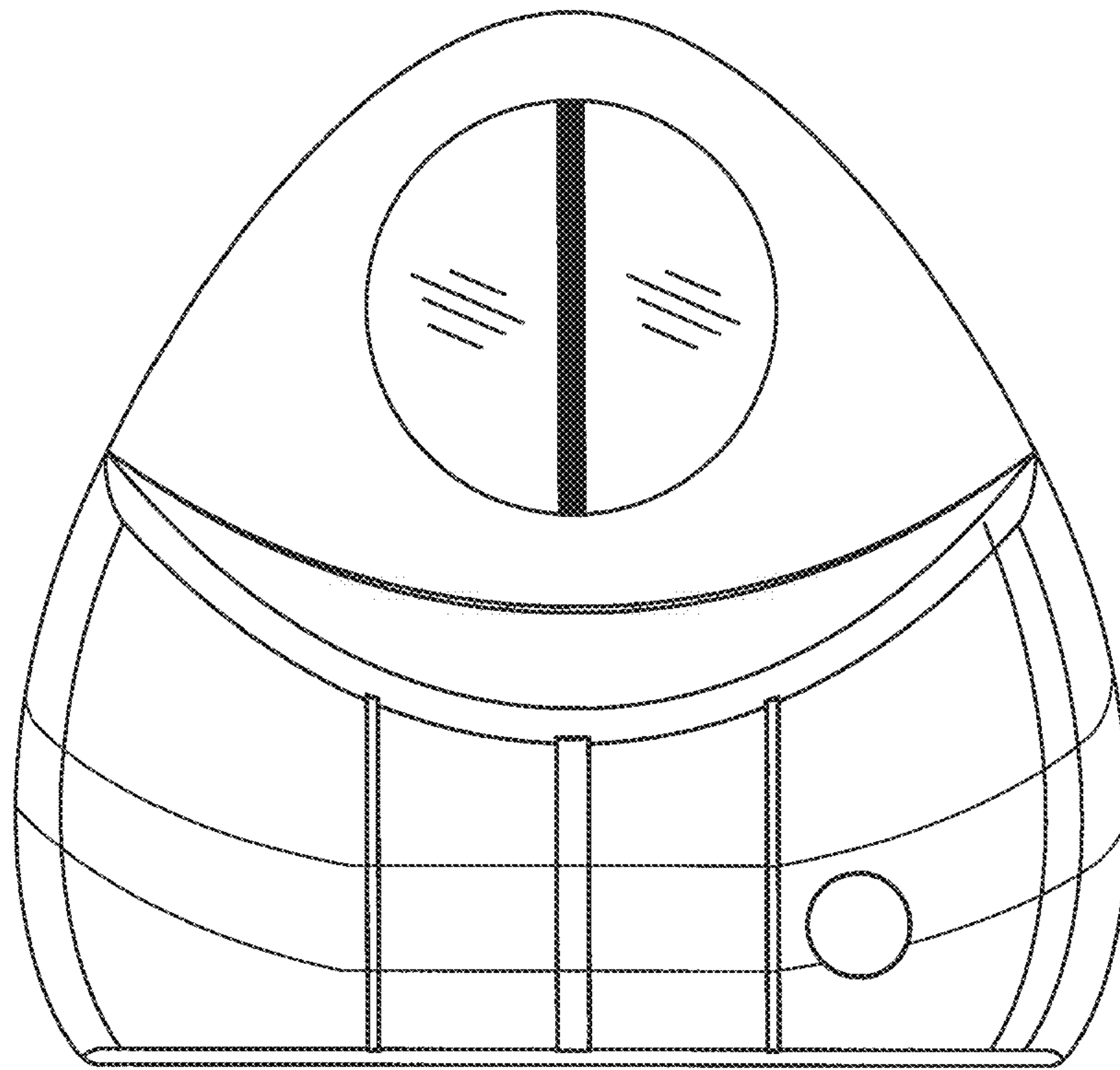


Fig. 6

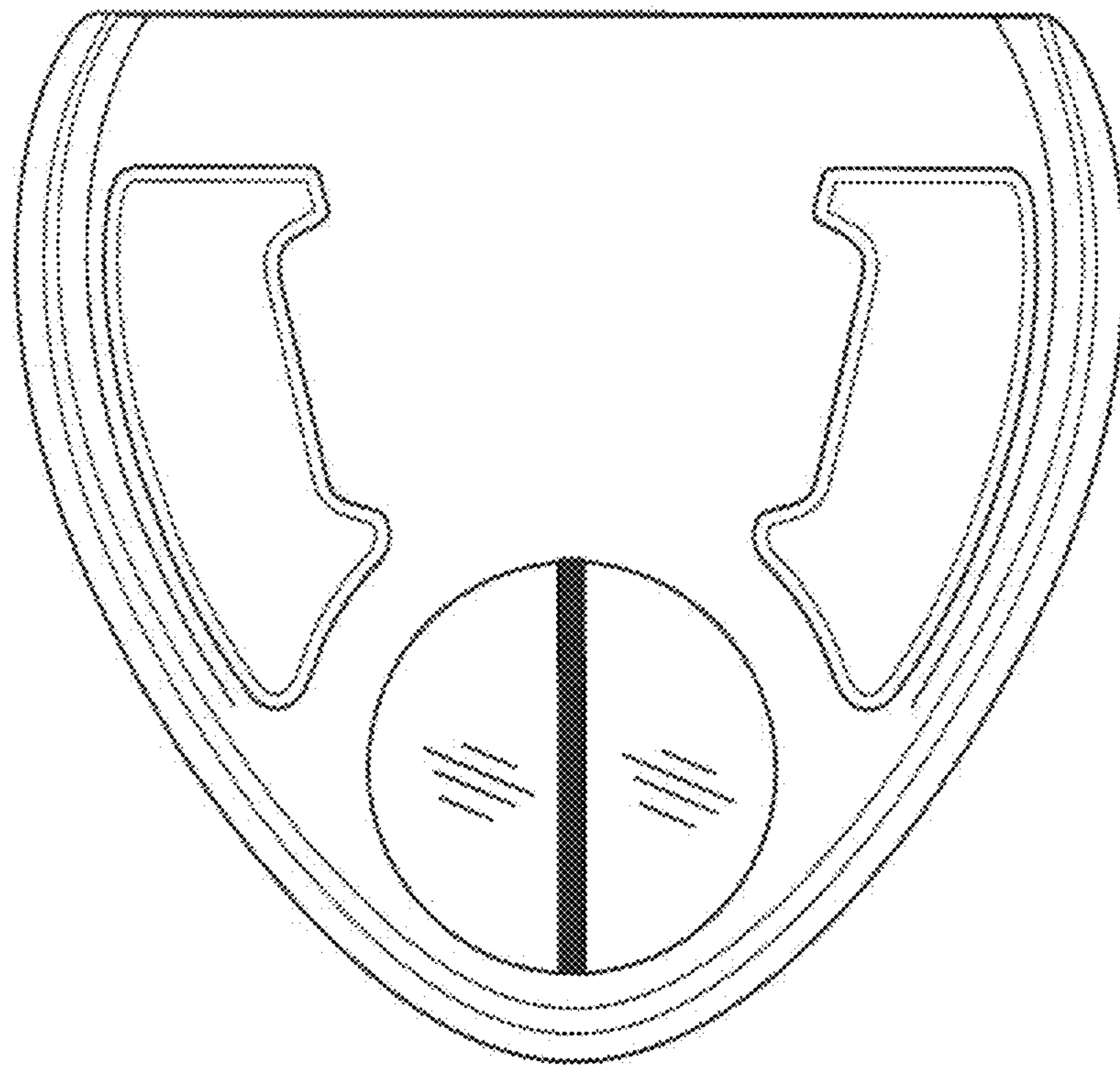


Fig. 7