



US00D681753S

(12) **United States Design Patent**  
**Ellison**

(10) **Patent No.:** **US D681,753 S**

(45) **Date of Patent:** **\*\* \*May 7, 2013**

(54) **EXERCISE BENCH**

(76) Inventor: **Glenn Prescott Ellison, West Hills, CA (US)**

(\*) Notice: This patent is subject to a terminal disclaimer.

(\*\*) Term: **14 Years**

(21) Appl. No.: **29/389,053**

(22) Filed: **Apr. 6, 2011**

(51) **LOC (9) Cl.** ..... **21-02**

(52) **U.S. Cl.**  
USPC ..... **D21/690**

(58) **Field of Classification Search** ..... D21/662,  
D21/676, 686, 687, 688, 689, 690, 694, 695;  
482/62, 97, 99, 102, 121, 133, 140, 142,  
482/145

See application file for complete search history.

(56) **References Cited**

**U.S. PATENT DOCUMENTS**

D254,562 S *	3/1980	Pearo .....	D21/690
D262,810 S *	1/1982	Lynn .....	D21/676
D277,219 S *	1/1985	Johnson .....	D21/690
D289,784 S *	5/1987	Carey et al. ....	D21/676
D300,337 S *	3/1989	Brentham .....	D21/676
D321,029 S *	10/1991	Low .....	D21/676
D321,391 S *	11/1991	Jones .....	D21/676

D329,672 S *	9/1992	Shieh .....	D21/676
D370,506 S *	6/1996	Clem .....	D21/687
D378,933 S *	4/1997	Johansson .....	D21/676
D393,891 S *	4/1998	Van Der Hoeven et al. .	D21/676
5,769,766 A *	6/1998	Huang .....	482/140
D405,853 S *	2/1999	Husted .....	D21/676
D406,290 S *	3/1999	McBride .....	D21/690
D408,875 S *	4/1999	Anderson .....	D21/676
D414,226 S *	9/1999	Kuo et al. ....	D21/676
D432,601 S *	10/2000	Savage et al. ....	D21/676
D455,803 S *	4/2002	Webber .....	D21/690
D541,893 S *	5/2007	Webber .....	D21/690
D573,209 S *	7/2008	Ellison .....	D21/690
8,096,930 B1 *	1/2012	Leon .....	482/142
2005/0101464 A1 *	5/2005	Campitelli .....	482/142
2005/0266971 A1 *	12/2005	Nguyen .....	482/140

\* cited by examiner

*Primary Examiner* — Susan E Krakower

(74) *Attorney, Agent, or Firm* — Kelly & Kelley, LLP

(57) **CLAIM**

The ornamental design for an exercise bench, as shown.

**DESCRIPTION**

FIG. 1 is a top, front and right side perspective view of an exercise bench embodying my new design;

FIG. 2 is a top plan view thereof;

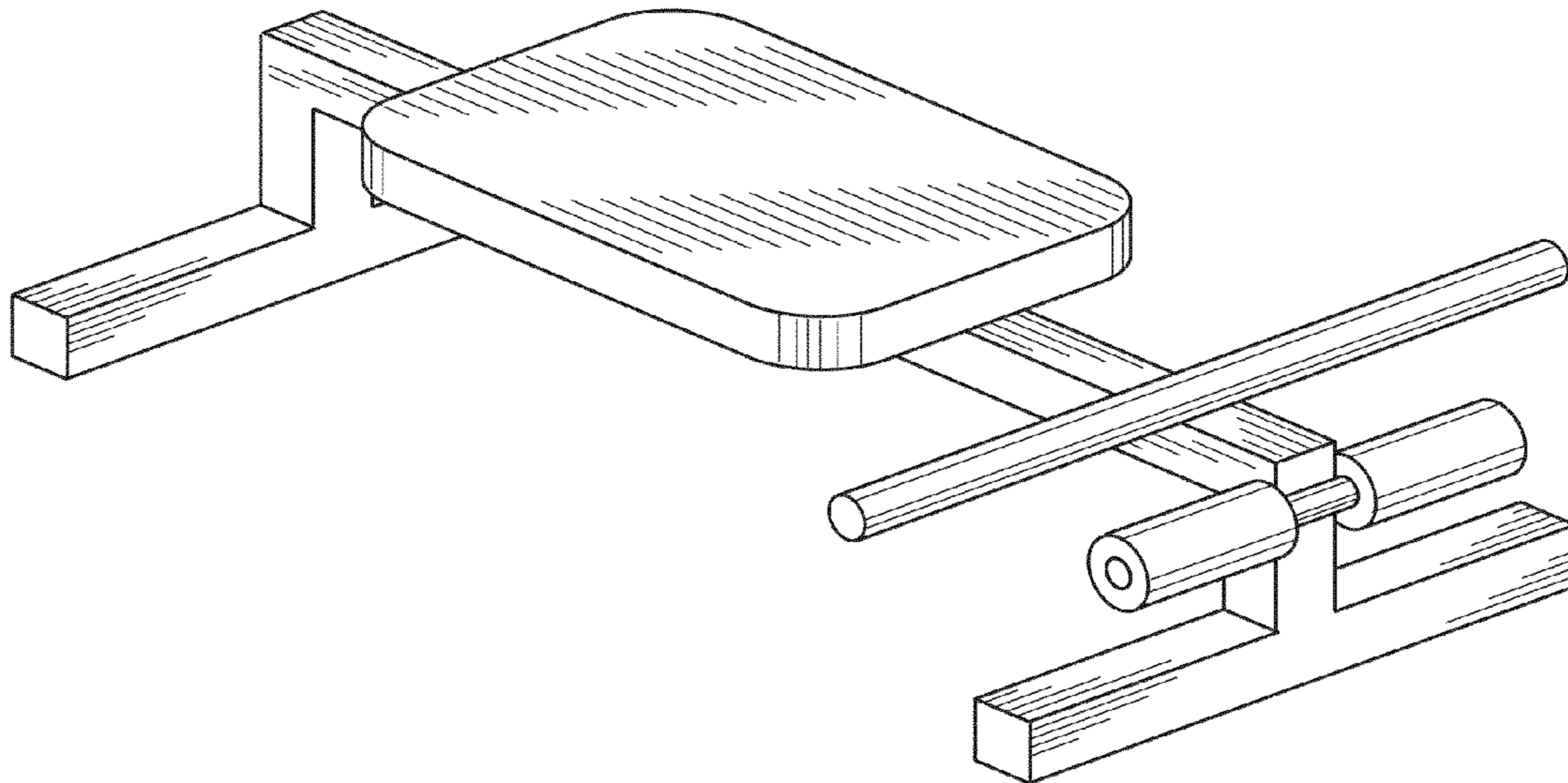
FIG. 3 is a left side elevational view thereof;

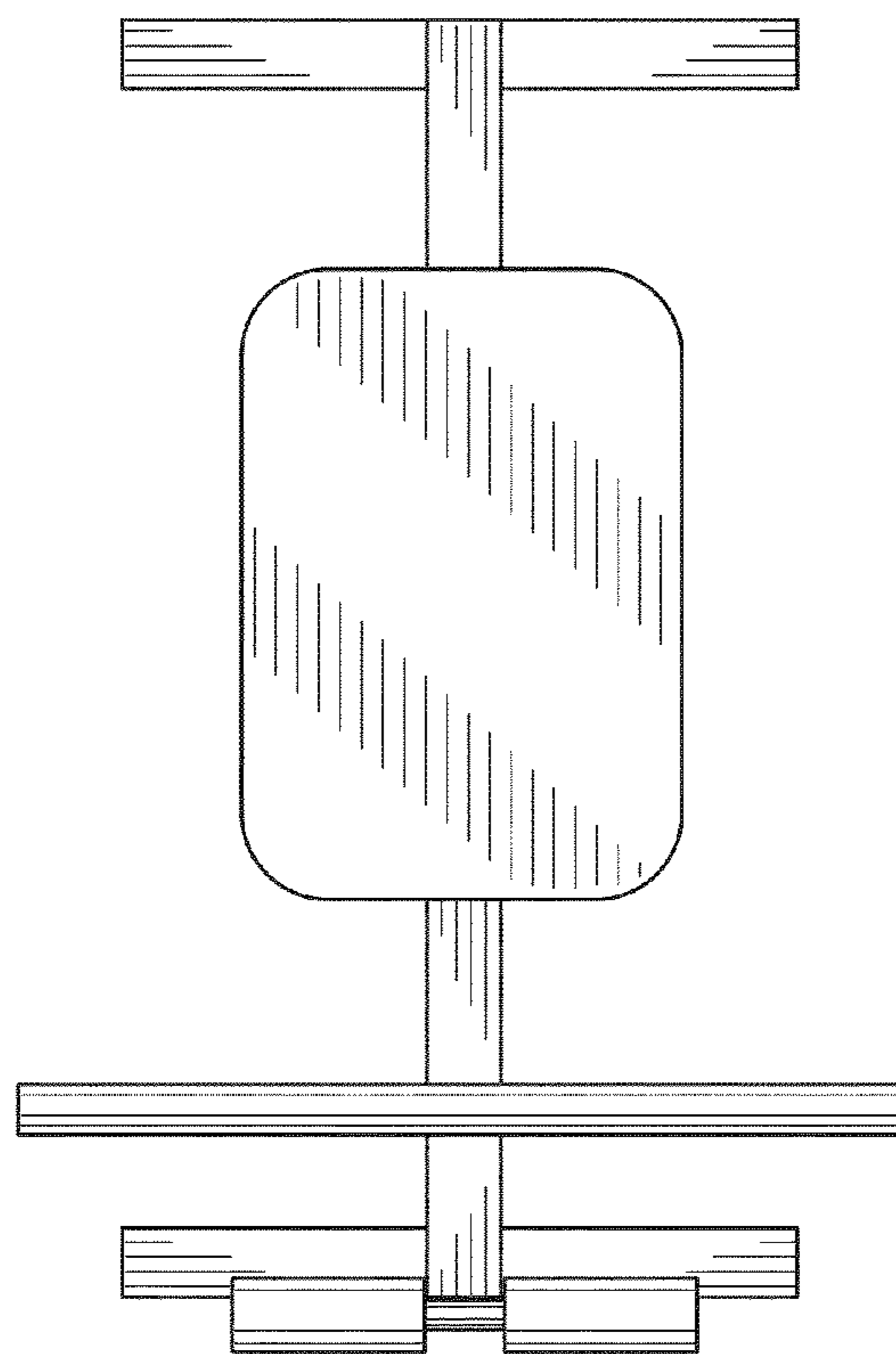
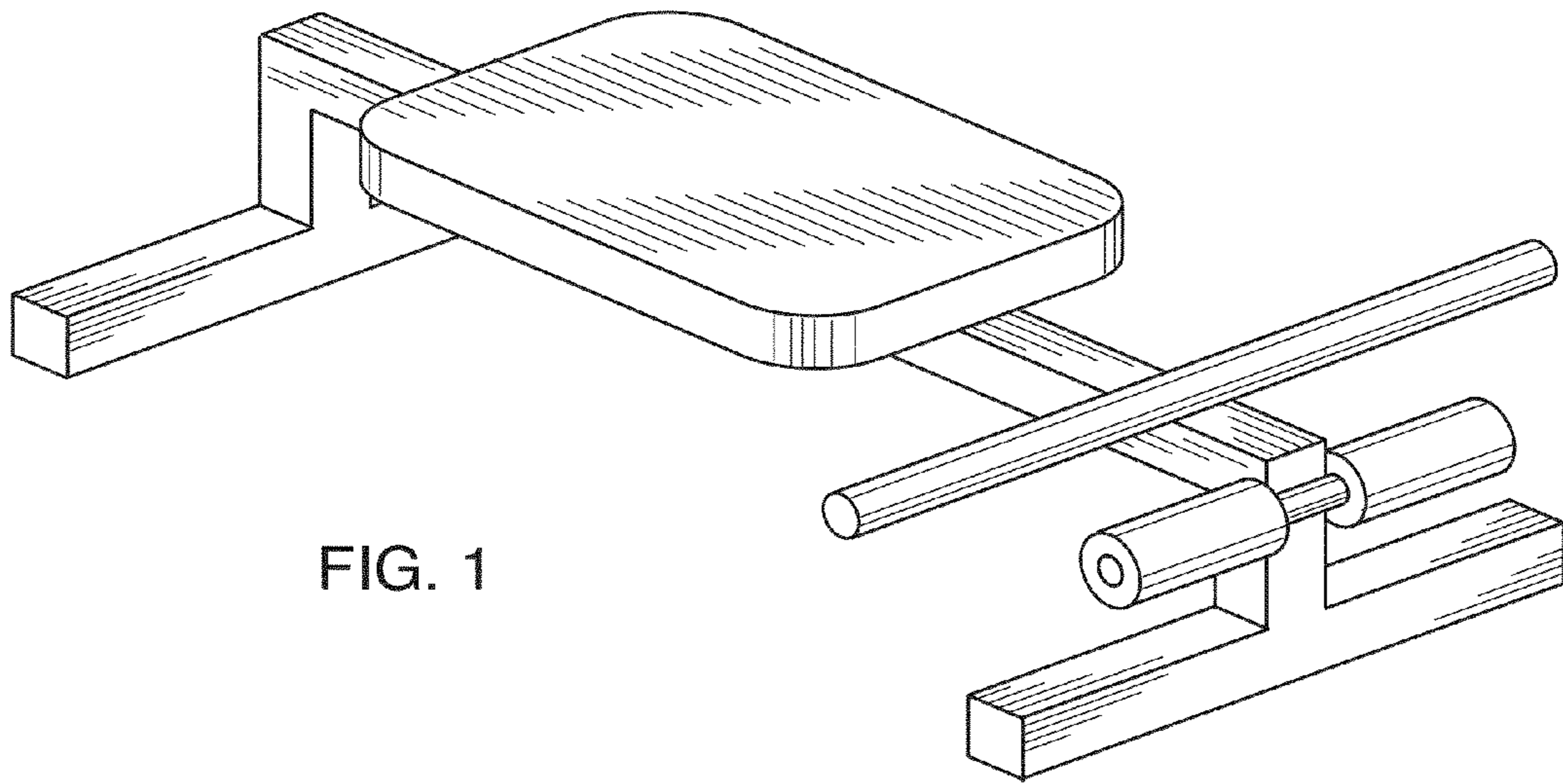
FIG. 4 is a front elevational view thereof;

FIG. 5 is a rear elevational view thereof; and,

FIG. 6 is a right side elevational view thereof.

**1 Claim, 2 Drawing Sheets**





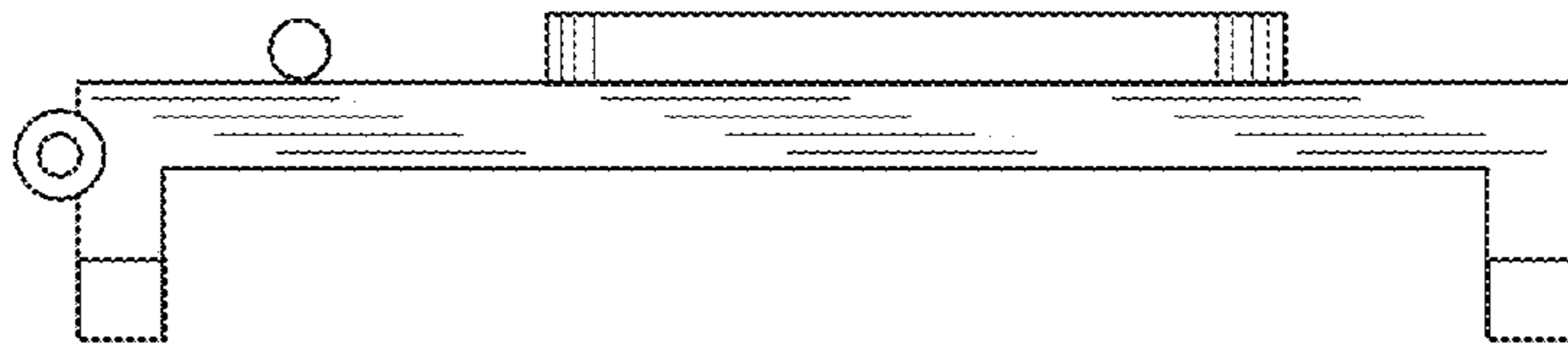


FIG. 3

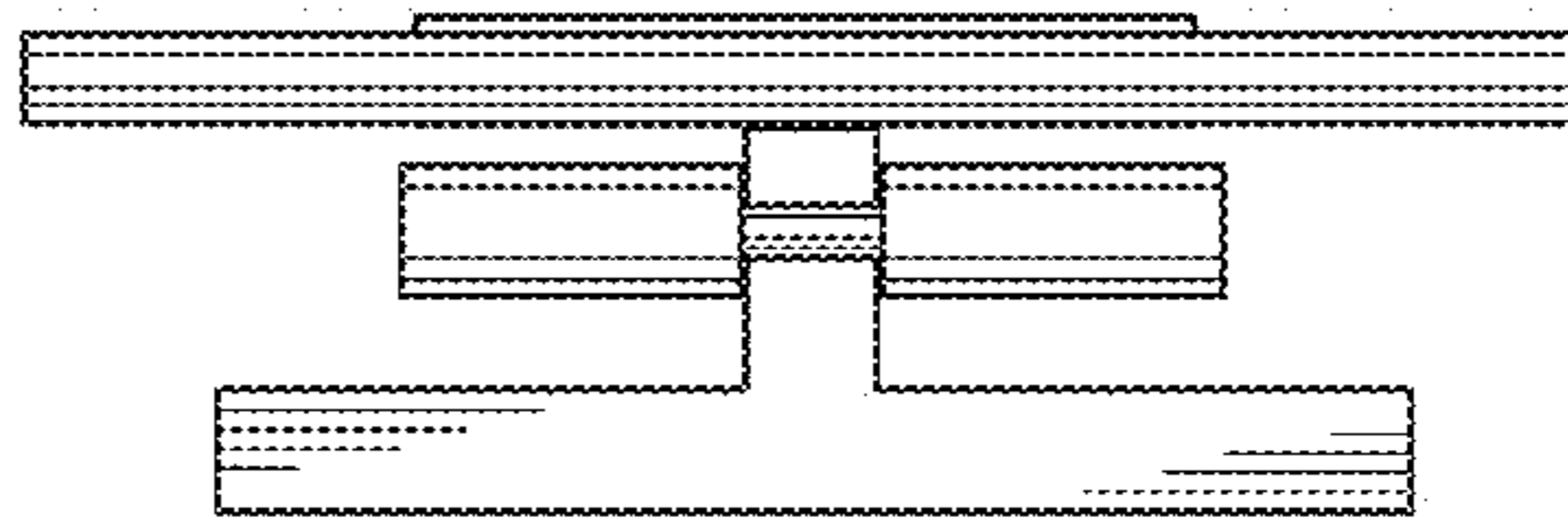


FIG. 4

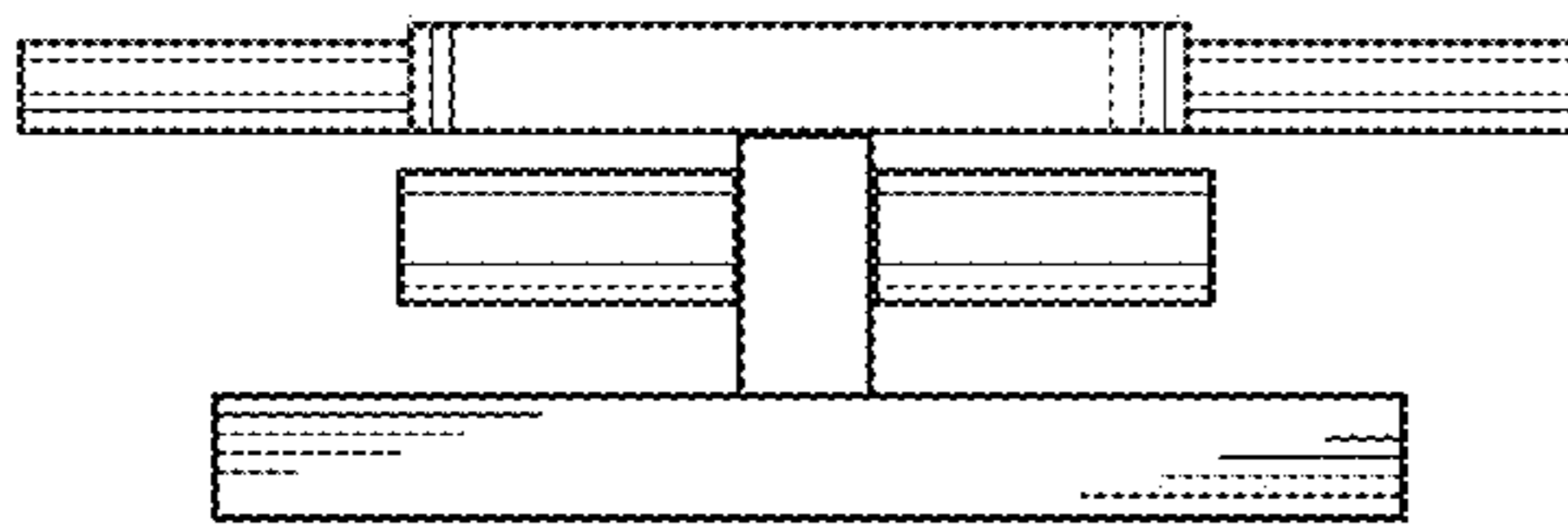


FIG. 5

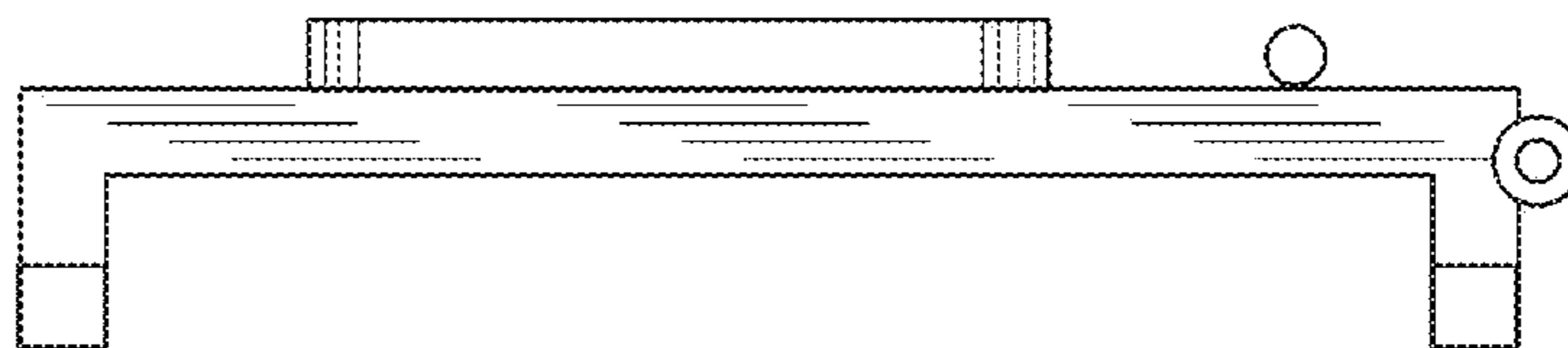


FIG. 6