



US00D681752S

(12) **United States Design Patent**
Meyer-Hayoz

(10) **Patent No.:** **US D681,752 S**

(45) **Date of Patent:** **** May 7, 2013**

(54) **EXERCISE APPARATUS**

(75) Inventor: **Wolfgang K. Meyer-Hayoz**, Winterthur (CH)

(73) Assignee: **Wellengang GmbH**, Otisheim (DE)

(**) Term: **14 Years**

(21) Appl. No.: **29/403,955**

(22) Filed: **Oct. 13, 2011**

(30) **Foreign Application Priority Data**

Apr. 13, 2011 (WO) DM/075 877

(51) **LOC (9) Cl.** **21-02**

(52) **U.S. Cl.**
USPC **D21/686**; D21/662

(58) **Field of Classification Search** D21/662,
D21/671, 686, 688, 689, 694; 482/30, 51,
482/52, 70, 74, 77, 79, 80, 121, 142, 146,
482/147, 148; D24/183–185

See application file for complete search history.

(56) **References Cited**

U.S. PATENT DOCUMENTS

5,518,476	A *	5/1996	McLeon	482/79
D460,506	S *	7/2002	Tamminga et al.	D21/686
D494,645	S *	8/2004	Otomi et al.	D21/662
D500,100	S *	12/2004	van der Meer	D21/662
D518,533	S *	4/2006	van der Meer	D21/662
D522,074	S *	5/2006	Dummel	D21/662
7,044,901	B2 *	5/2006	Weir	482/142
D538,358	S *	3/2007	Glier	D21/662
D548,291	S *	8/2007	Chiang	D21/662
D559,924	S *	1/2008	Wu	D21/662
D561,273	S *	2/2008	Wu	D21/662

D571,416	S *	6/2008	Wu	D21/662
D574,900	S *	8/2008	Meile Marcel		
			Tamminga	D21/662
D586,867	S *	2/2009	Wu	D21/662
D591,366	S *	4/2009	Decommer	D21/662
7,520,840	B2 *	4/2009	Shifferaw	482/52
D633,913	S *	3/2011	Aboy Garcia et al.	D14/413

* cited by examiner

Primary Examiner — Susan E Krakower

(74) *Attorney, Agent, or Firm* — Blue Filament Law PLLC;
Avery N. Goldstein

(57) **CLAIM**

The ornamental design for an exercise apparatus, as shown and described.

DESCRIPTION

FIG. 1 is a front and side perspective view of an exercise apparatus;

FIG. 2 is a side and rear perspective view of an exercise apparatus depicted in FIG. 1;

FIG. 3 is a front view of the exercise apparatus depicted in FIG. 1;

FIG. 4 is a rear view of the exercise apparatus depicted in FIG. 1;

FIG. 5 is a left side view of the exercise apparatus depicted in FIG. 1;

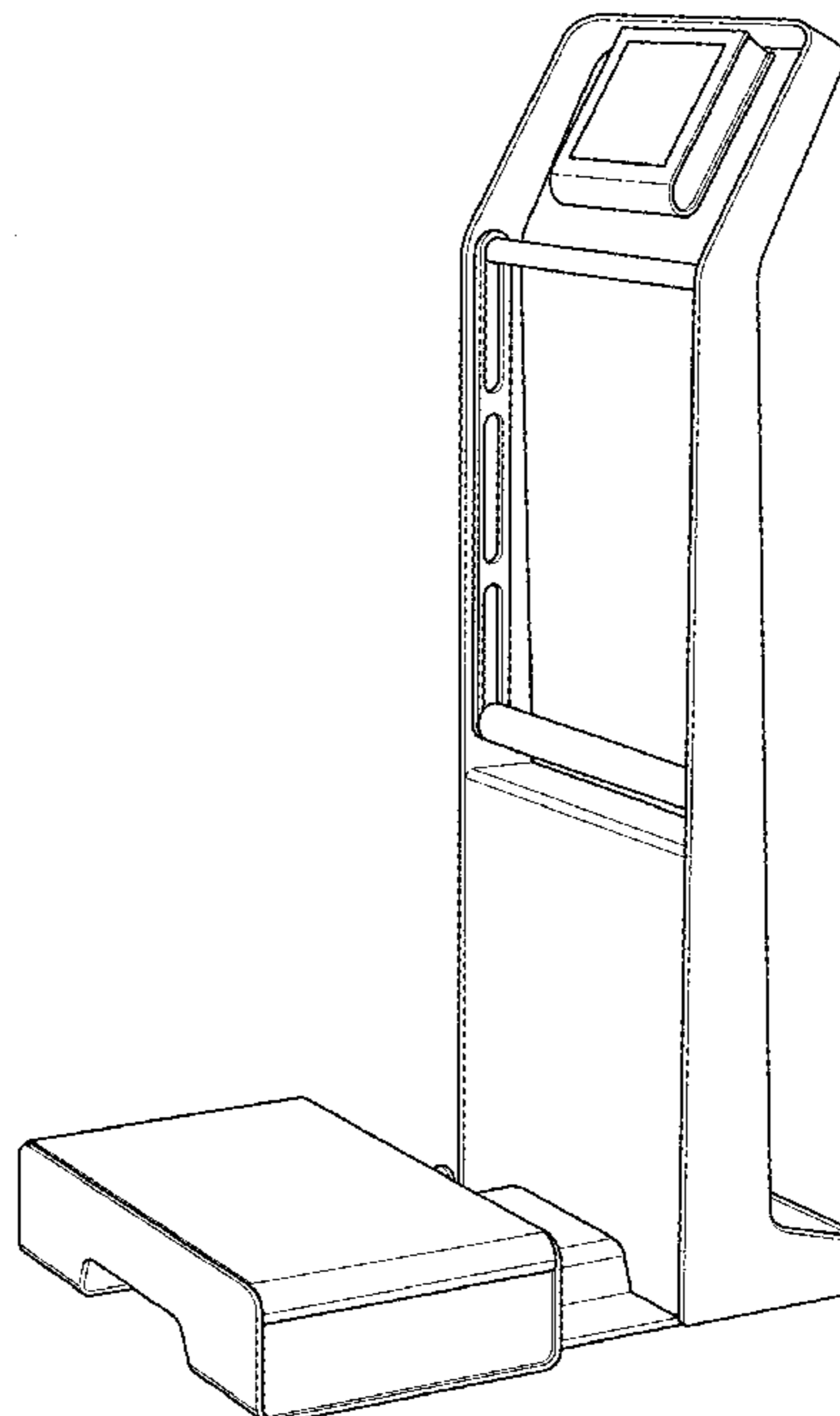
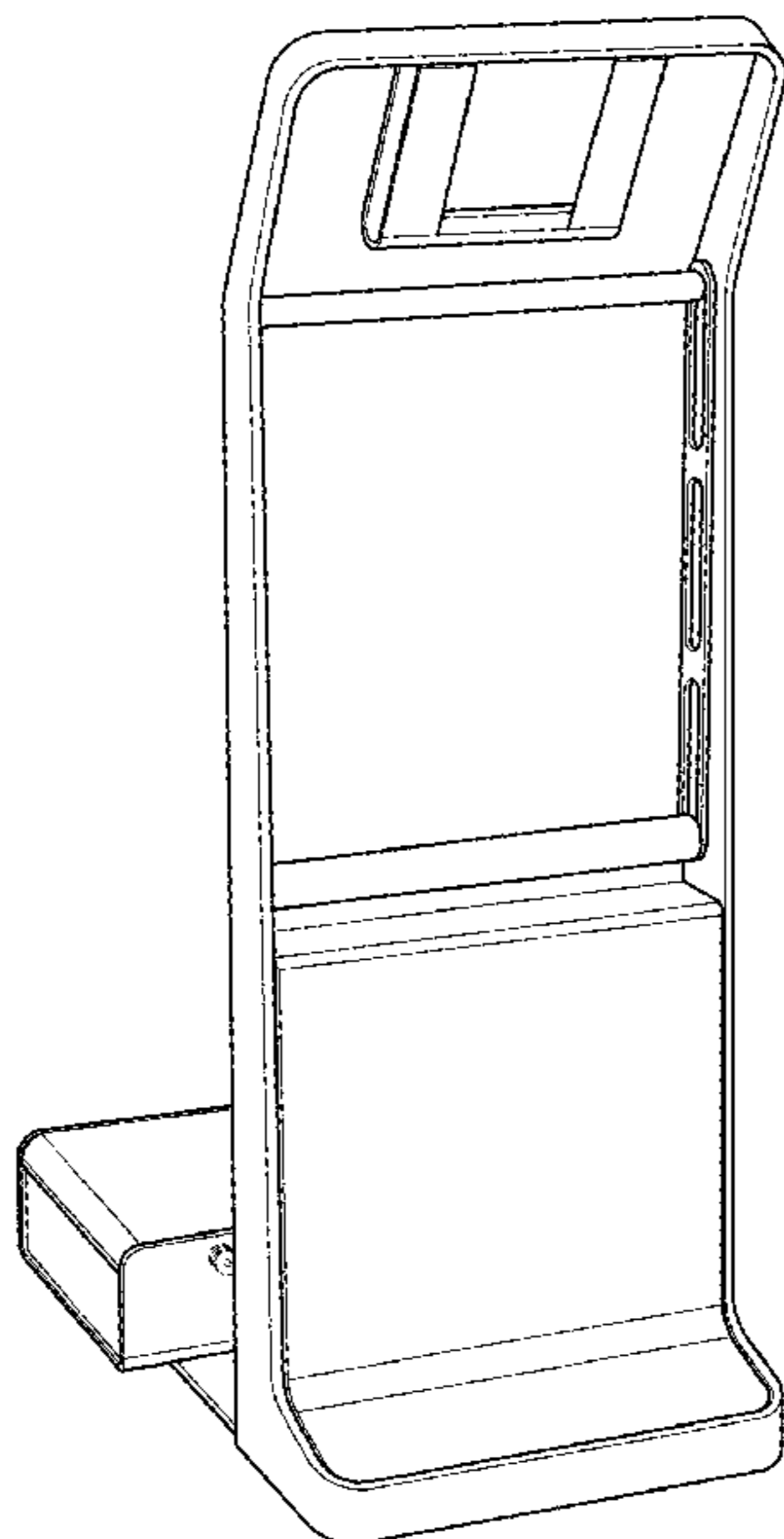
FIG. 6 is a right side view of the exercise apparatus depicted in FIG. 1;

FIG. 7 is a top view of the exercise apparatus depicted in FIG. 1; and,

FIG. 8 is a bottom view of the exercise apparatus depicted in FIG. 1.

The broken lines illustrate portions of the exercise apparatus which form no part of the claimed design.

1 Claim, 4 Drawing Sheets



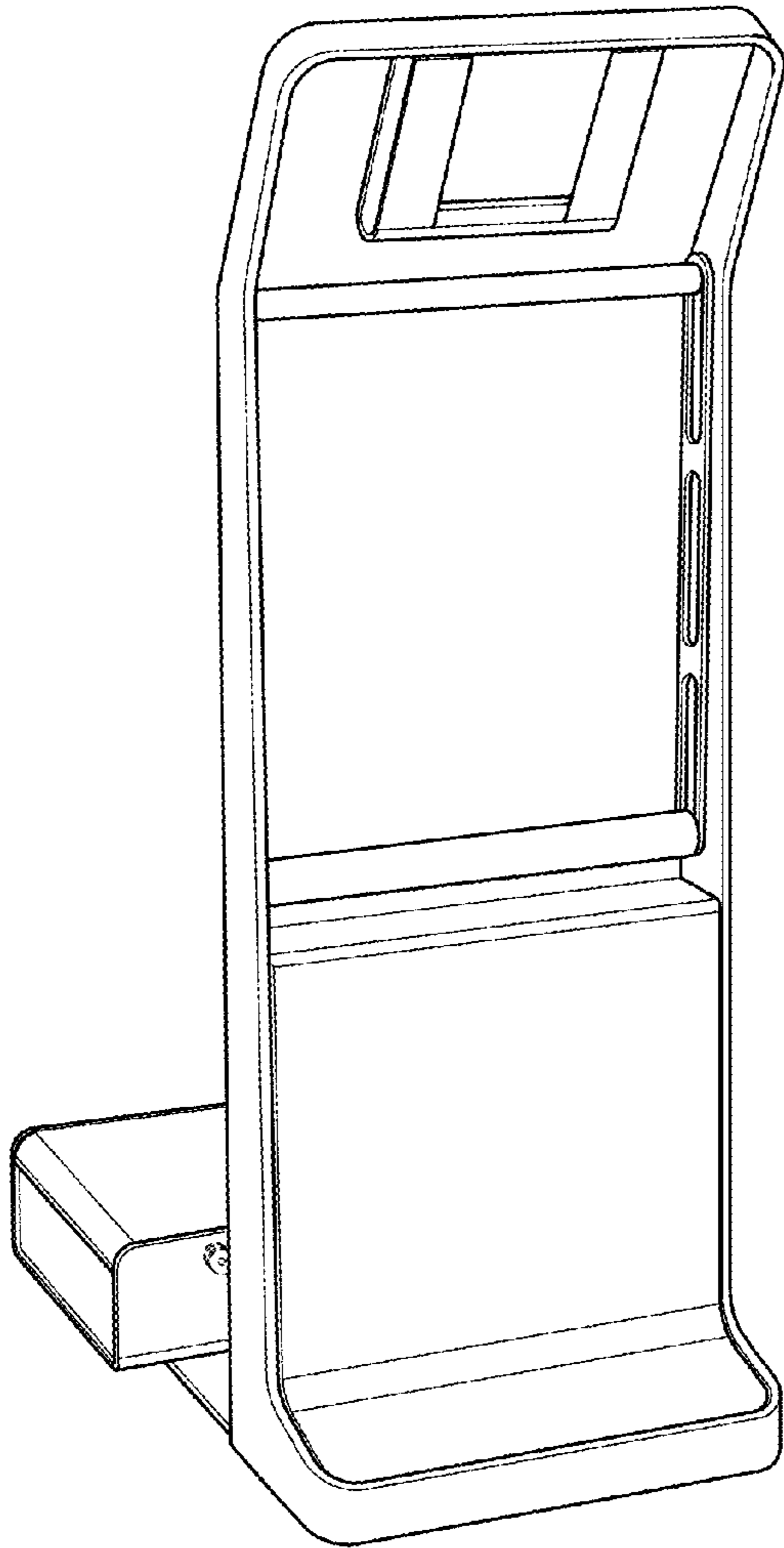


Fig. 1

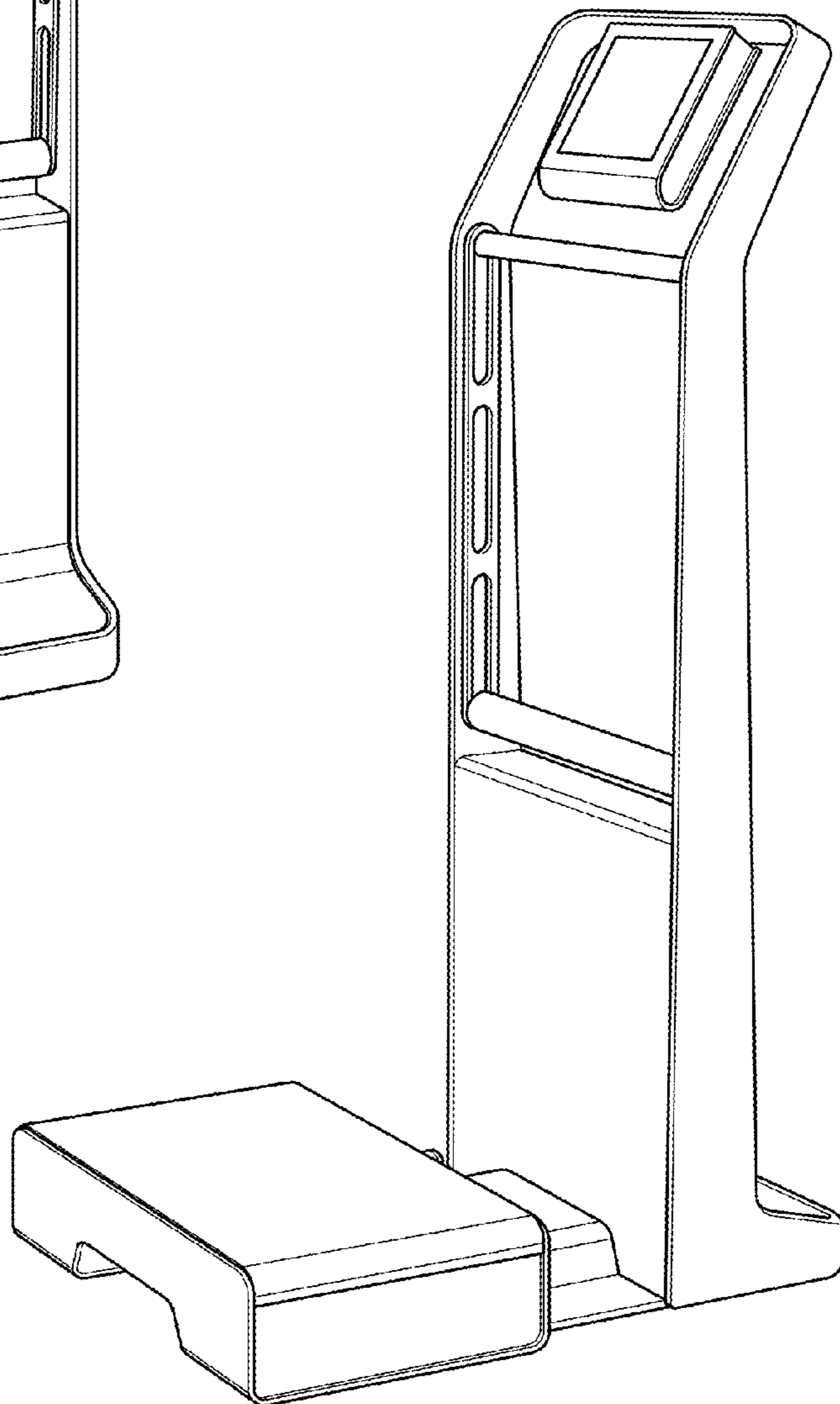


Fig. 2

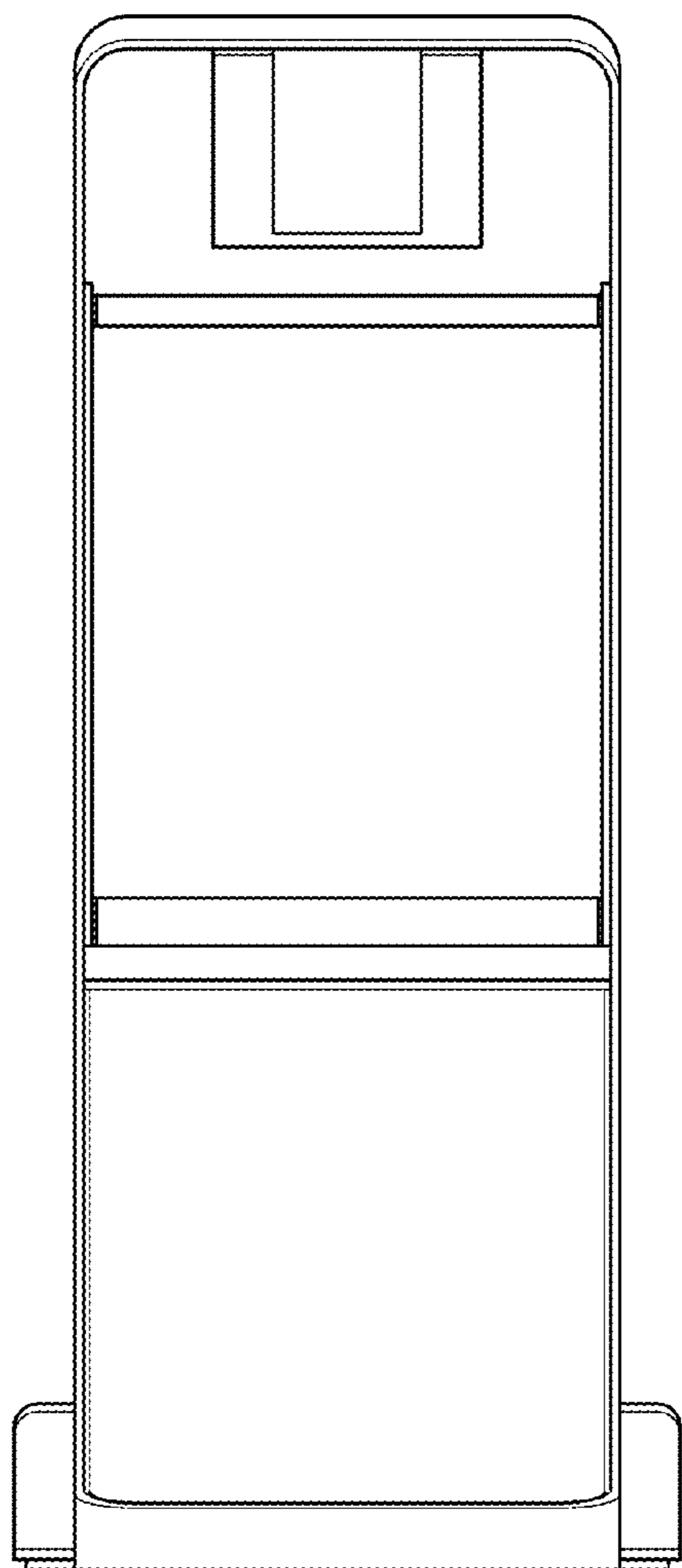


Fig. 3

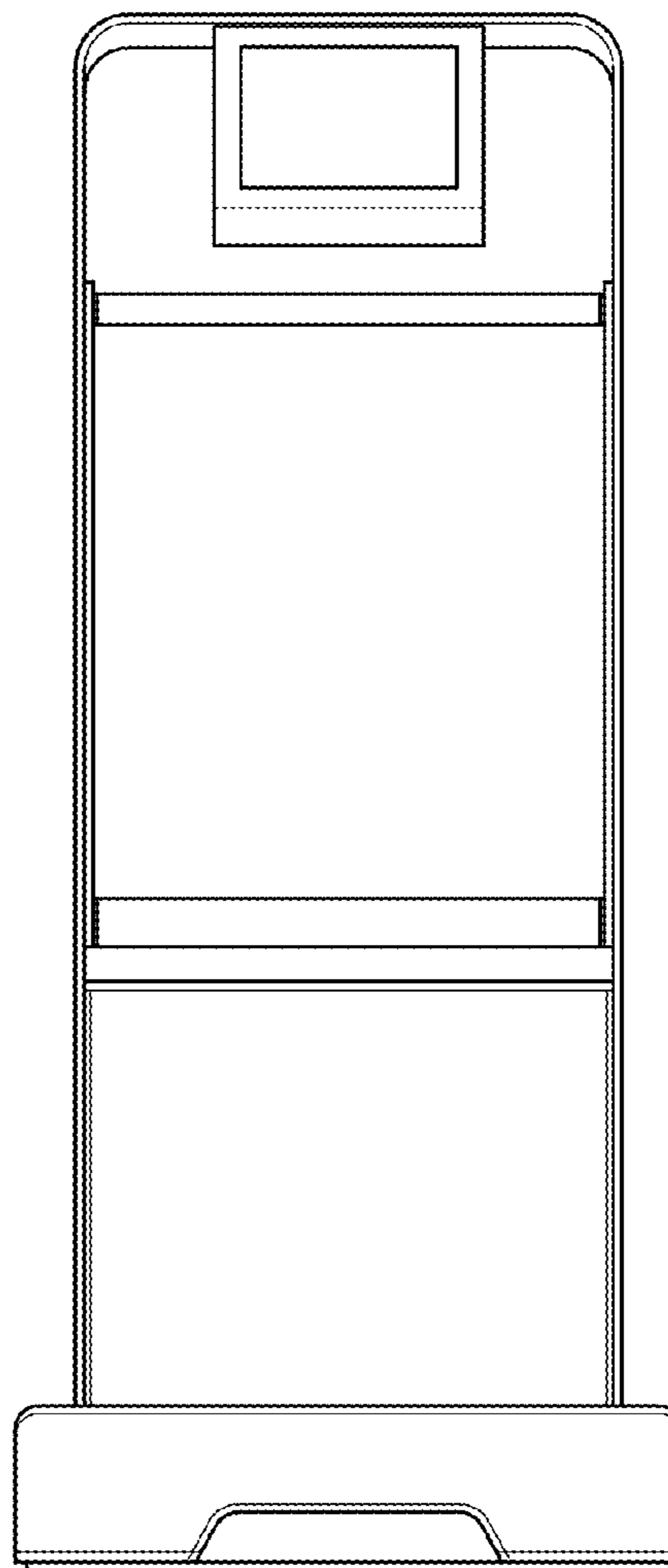


Fig. 4

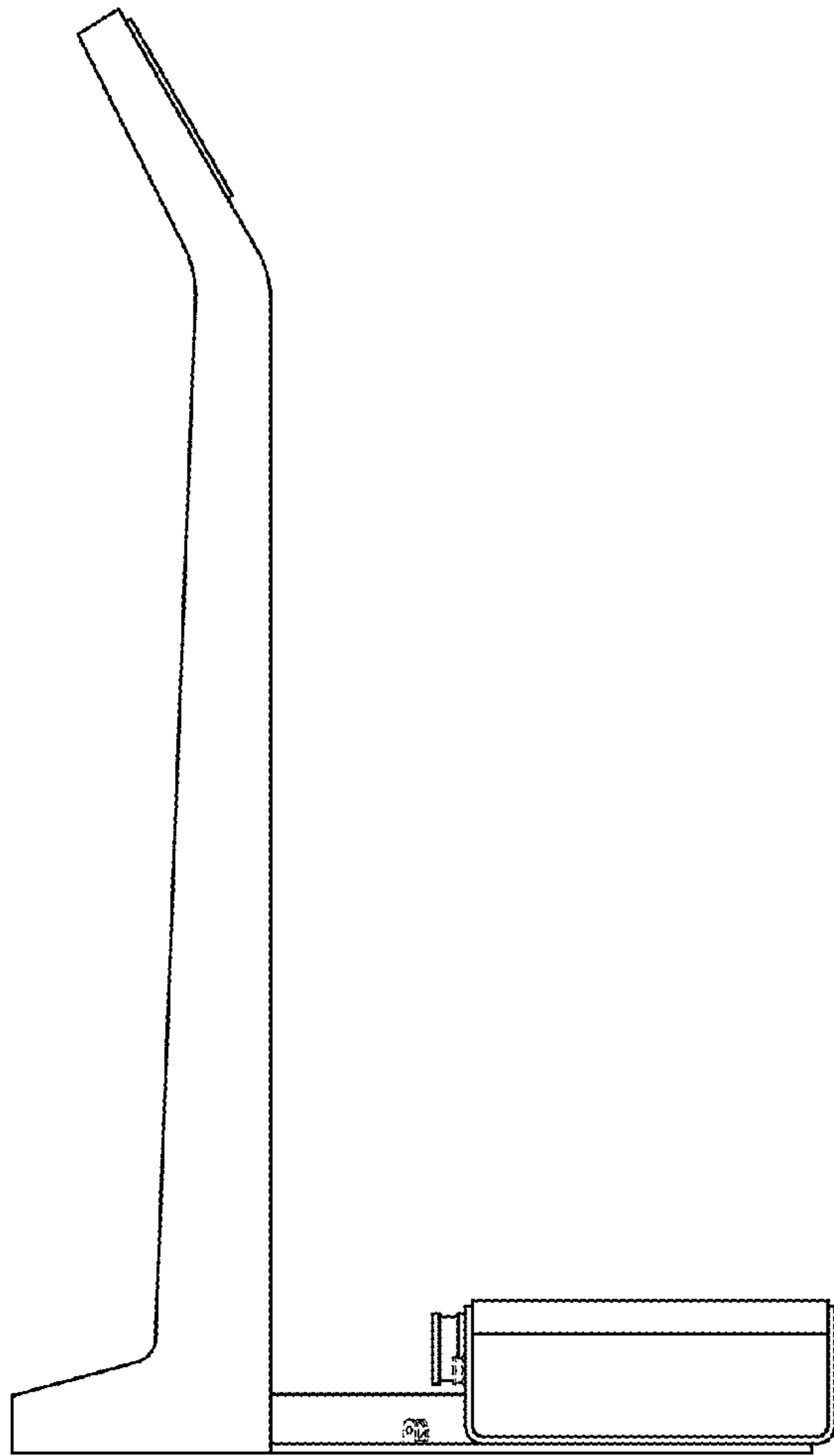


Fig. 5

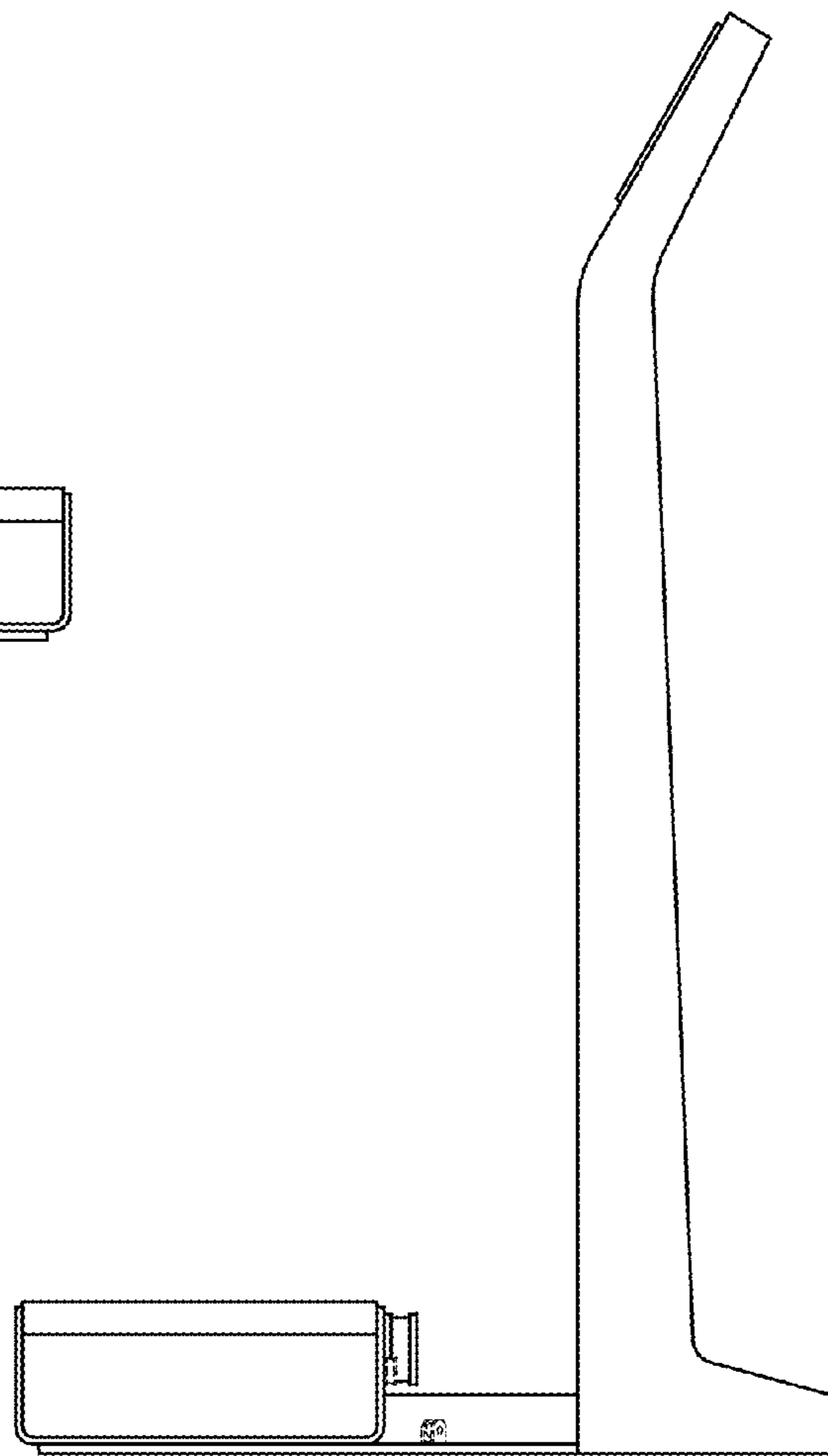


Fig. 6

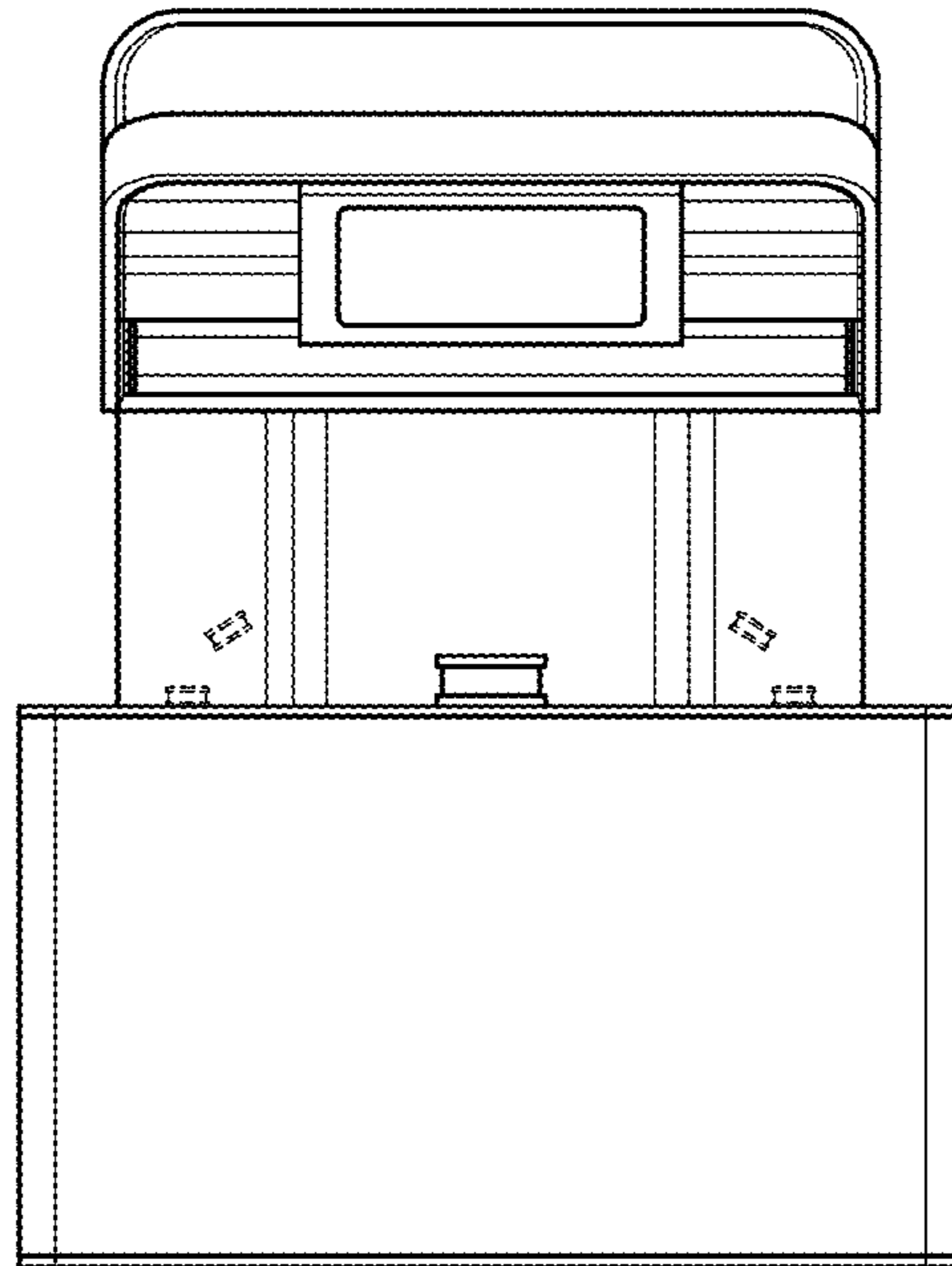


Fig. 7

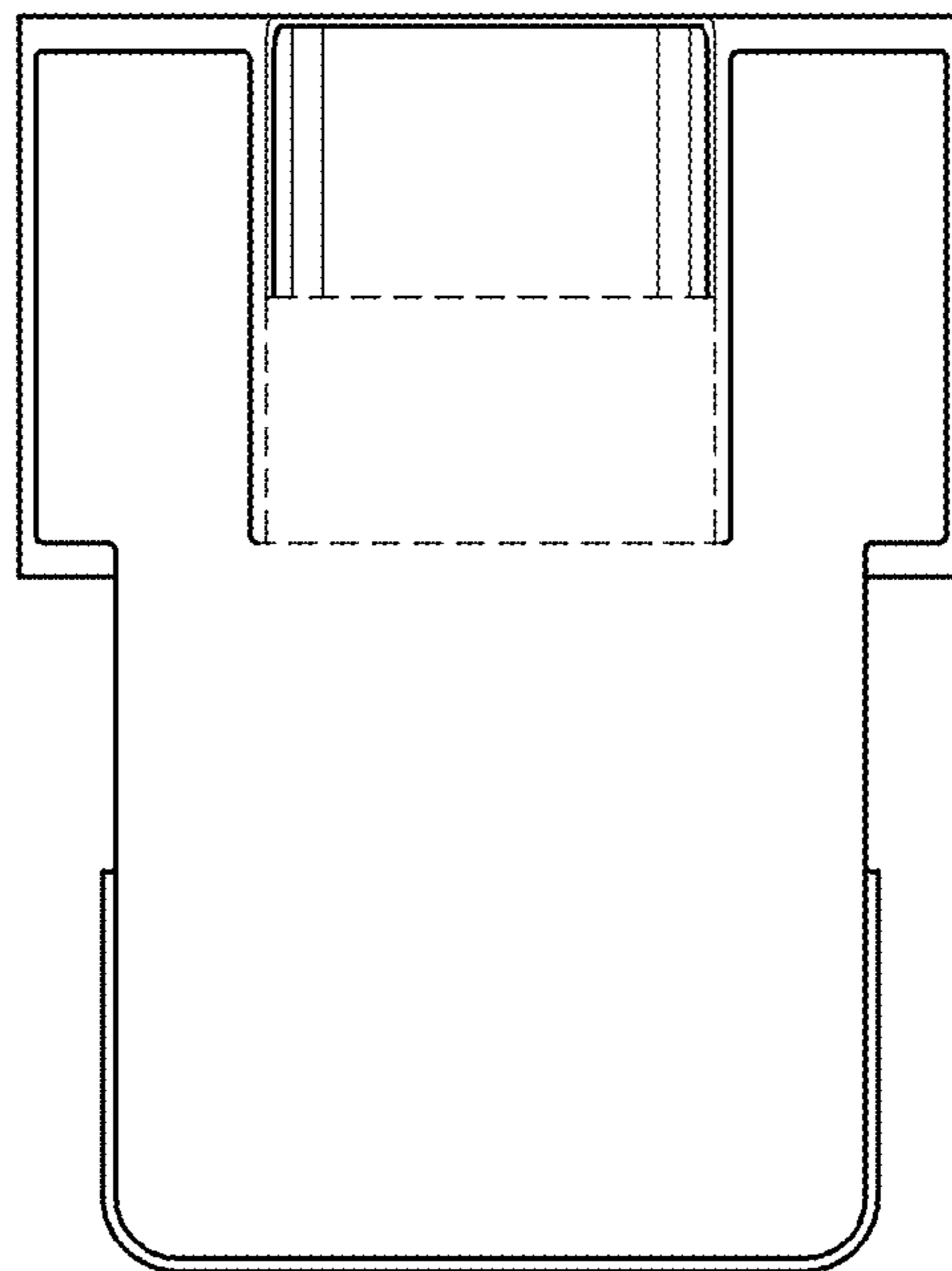


Fig. 8