



US00D681751S

(12) **United States Design Patent**  
**Meyer-Hayoz**

(10) **Patent No.:** **US D681,751 S**

(45) **Date of Patent:** **\*\* May 7, 2013**

(54) **EXERCISE PEDESTAL**

(75) Inventor: **Wolfgang K. Meyer-Hayoz**, Winterthur (CH)

(73) Assignee: **Wellengang GmbH**, Otisheim (DE)

(\*\*) Term: **14 Years**

(21) Appl. No.: **29/403,950**

(22) Filed: **Oct. 13, 2011**

(30) **Foreign Application Priority Data**

Apr. 13, 2011 (WO) ..... DM/075877

(51) **LOC (9) Cl.** ..... **21-02**

(52) **U.S. Cl.**  
USPC ..... **D21/686**

(58) **Field of Classification Search** ..... D21/662,  
D21/671, 686, 688, 689, 694; 482/30, 51,  
482/52, 70, 79, 80, 121, 142, 146, 147, 148;  
D24/183-185

See application file for complete search history.

(56) **References Cited**

**U.S. PATENT DOCUMENTS**

3,333,286	A *	8/1967	Biolik	5/632
4,549,767	A *	10/1985	Hampshire et al.	297/423.46
4,678,234	A *	7/1987	Wilson	297/423.45
5,173,979	A *	12/1992	Nennhaus	5/648
D364,202	S *	11/1995	Benson	D21/686
D387,167	S *	12/1997	Klein	D24/183
6,578,217	B1 *	6/2003	Roberson	5/632
D509,269	S *	9/2005	Decker	D21/686

D509,270	S *	9/2005	Stangler	D21/686
D540,950	S *	4/2007	Johnson	D24/183
D565,131	S *	3/2008	Decker	D21/686
7,966,679	B2 *	6/2011	Sakata et al.	5/653
8,062,189	B1 *	11/2011	Moring et al.	482/53

\* cited by examiner

*Primary Examiner* — Susan E Krakower

(74) *Attorney, Agent, or Firm* — Blue Filament Law PLLC;  
Avery N. Goldstein

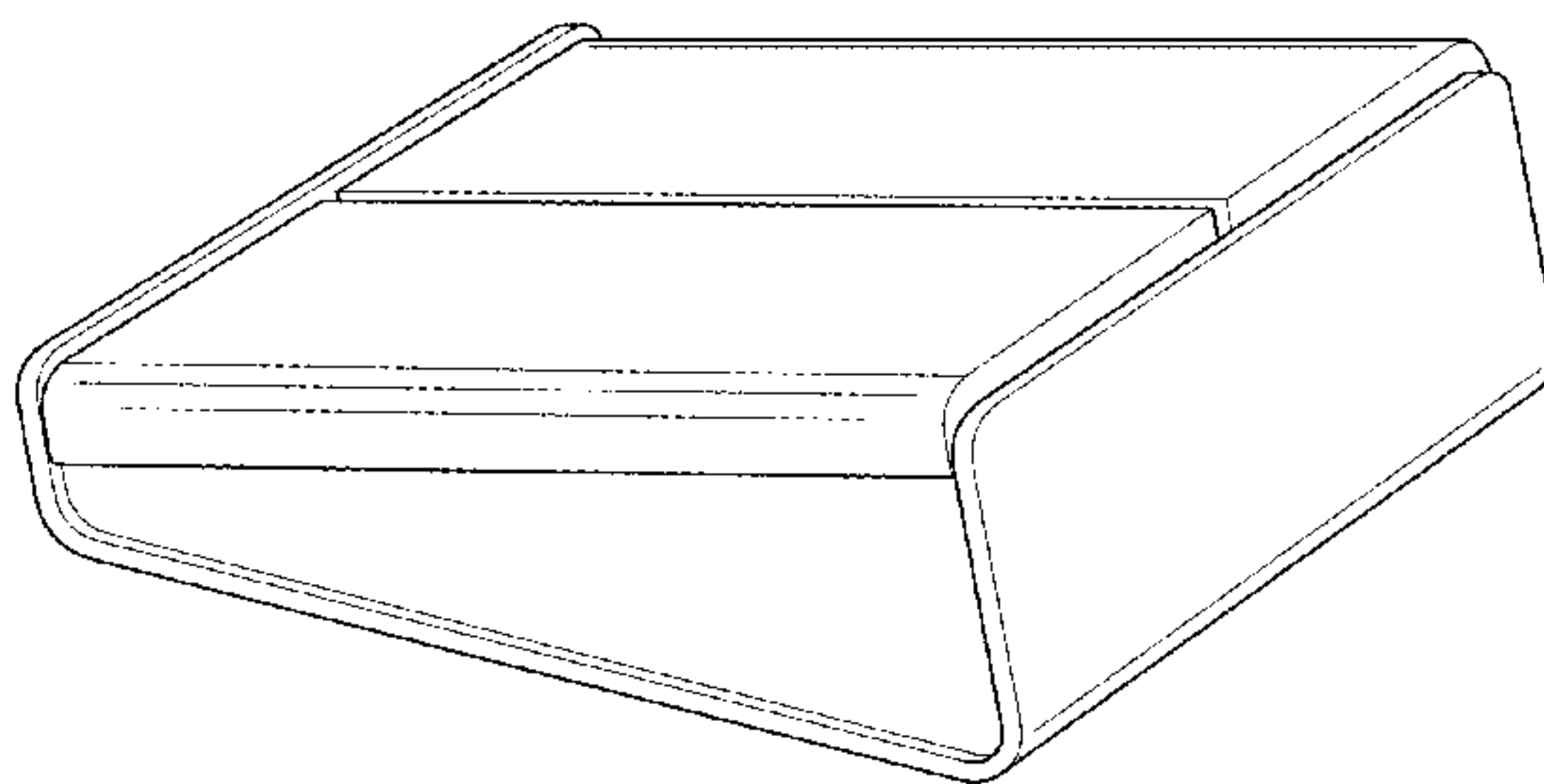
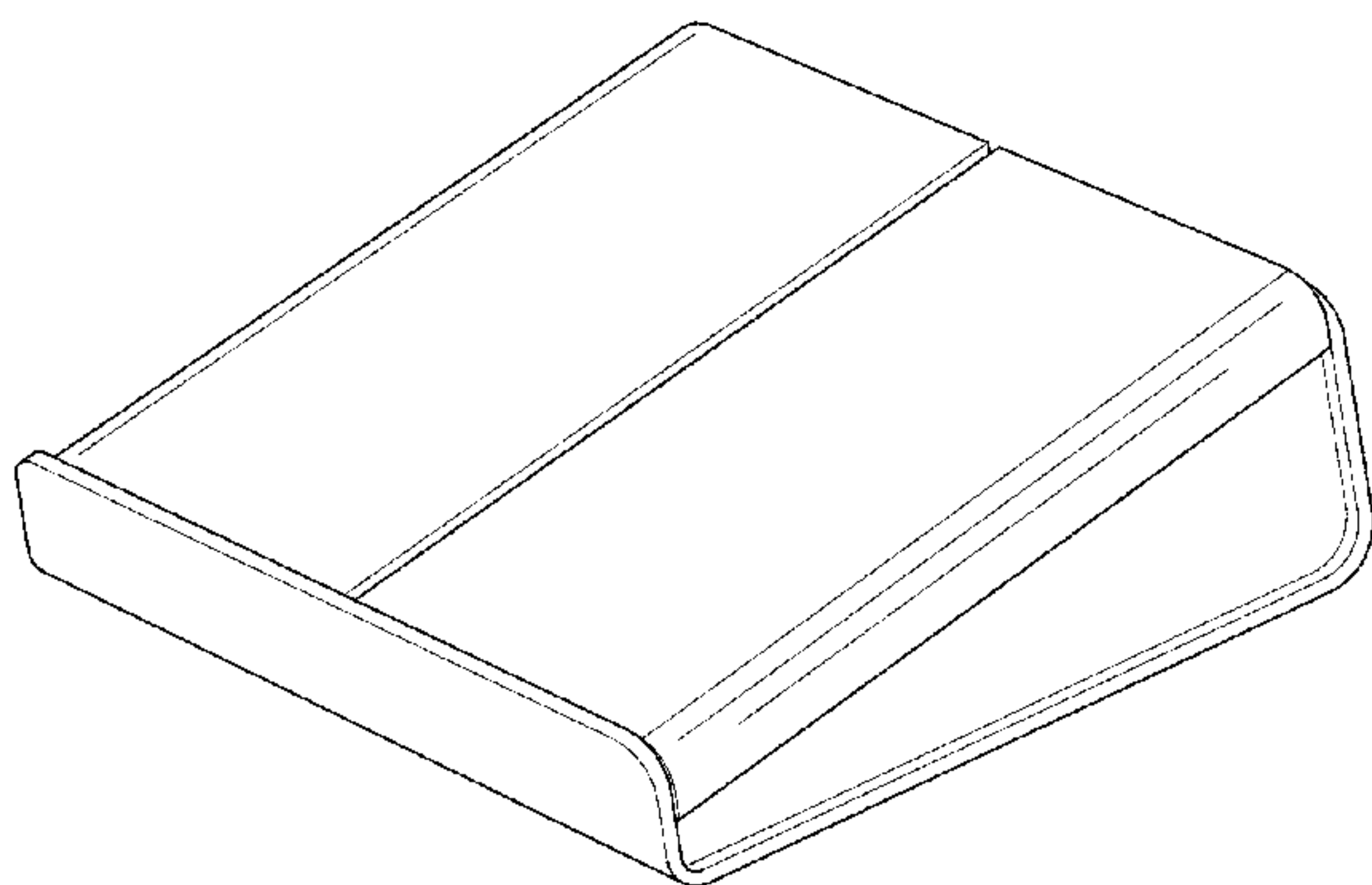
(57) **CLAIM**

The ornamental design for an exercise pedestal, as shown and described.

**DESCRIPTION**

FIG. 1 is a side and rear perspective view of an exercise pedestal;  
 FIG. 2 is a side and front perspective view of the exercise pedestal depicted in FIG. 1;  
 FIG. 3 is a right side view of the exercise pedestal depicted in FIG. 1 where the left side view is a mirror image of that depicted in FIG. 3;  
 FIG. 4 is a front view of the exercise pedestal depicted in FIG. 1;  
 FIG. 5 is a rear view of the exercise pedestal depicted in FIG. 1;  
 FIG. 6 is a bottom view of the exercise pedestal depicted in FIG. 1; and,  
 FIG. 7 is a top view of the exercise pedestal depicted in FIG. 1.

**1 Claim, 3 Drawing Sheets**



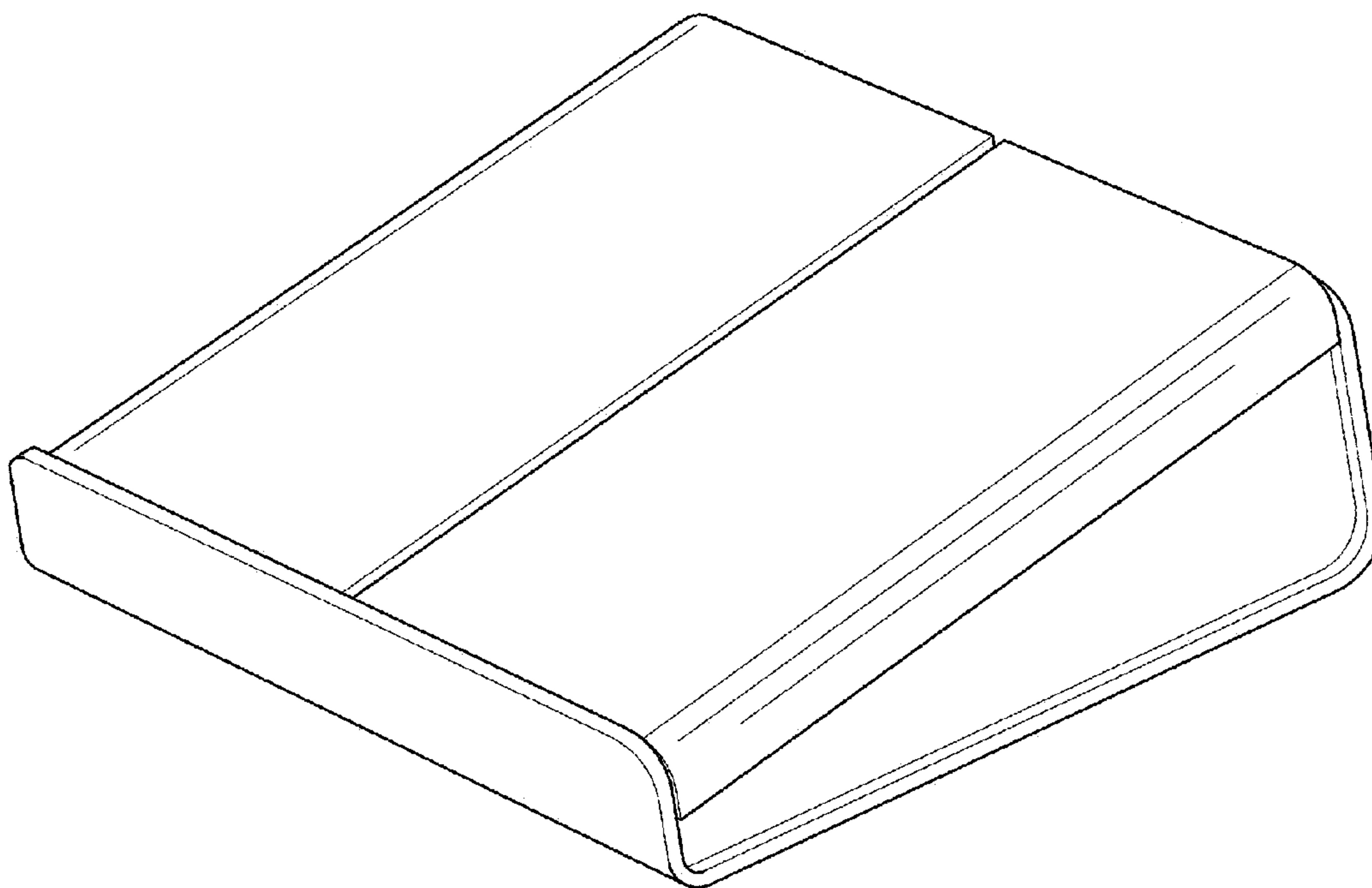


Fig. 1

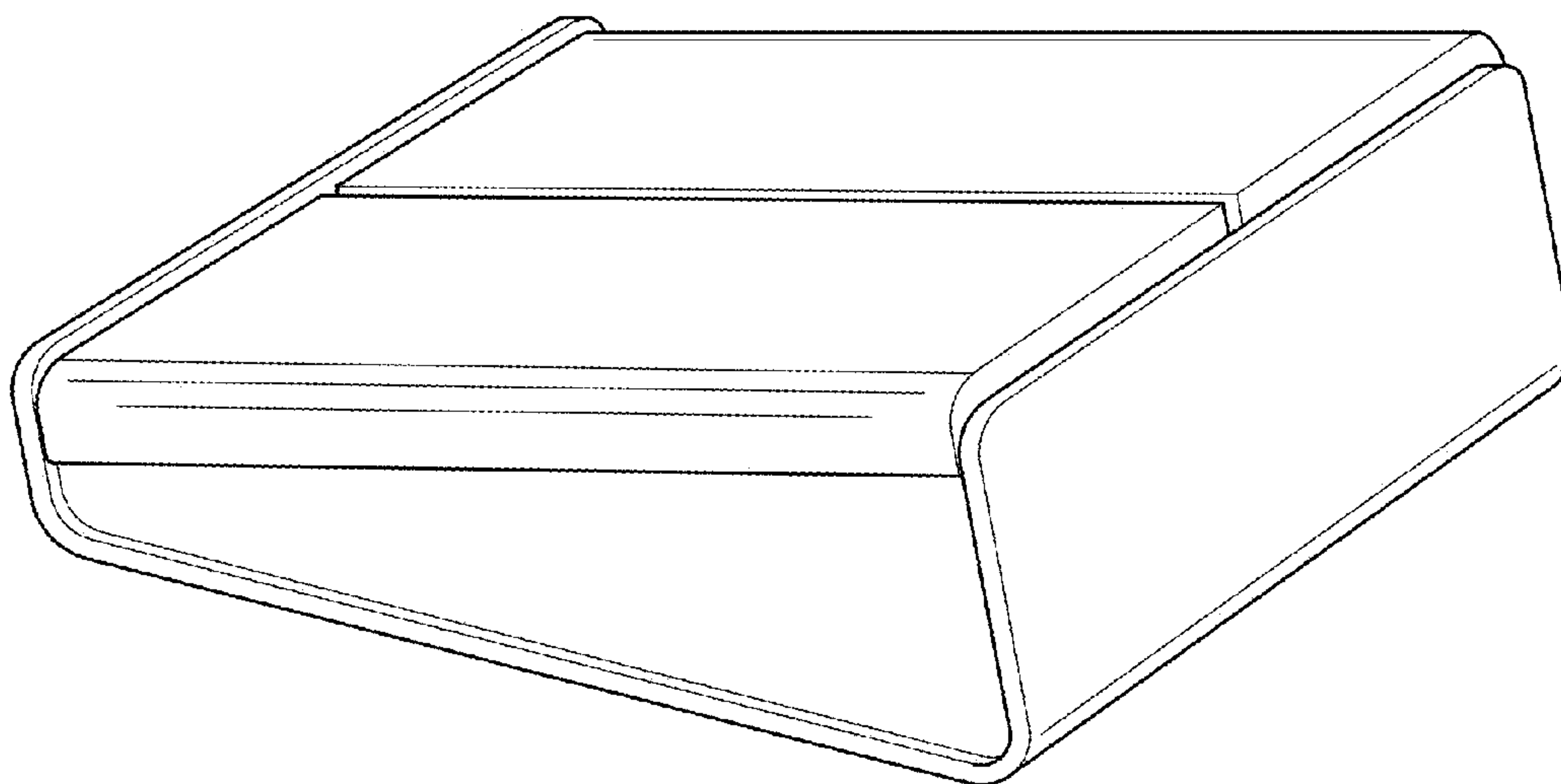


Fig. 2

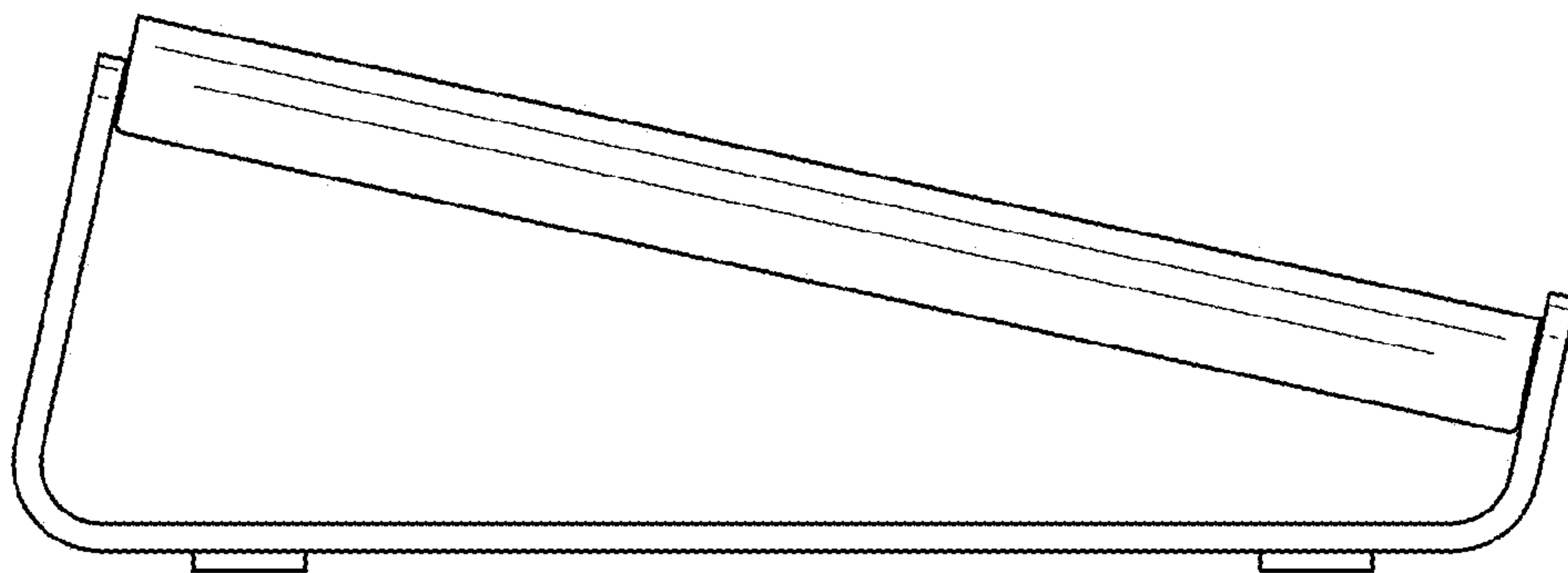


Fig. 3

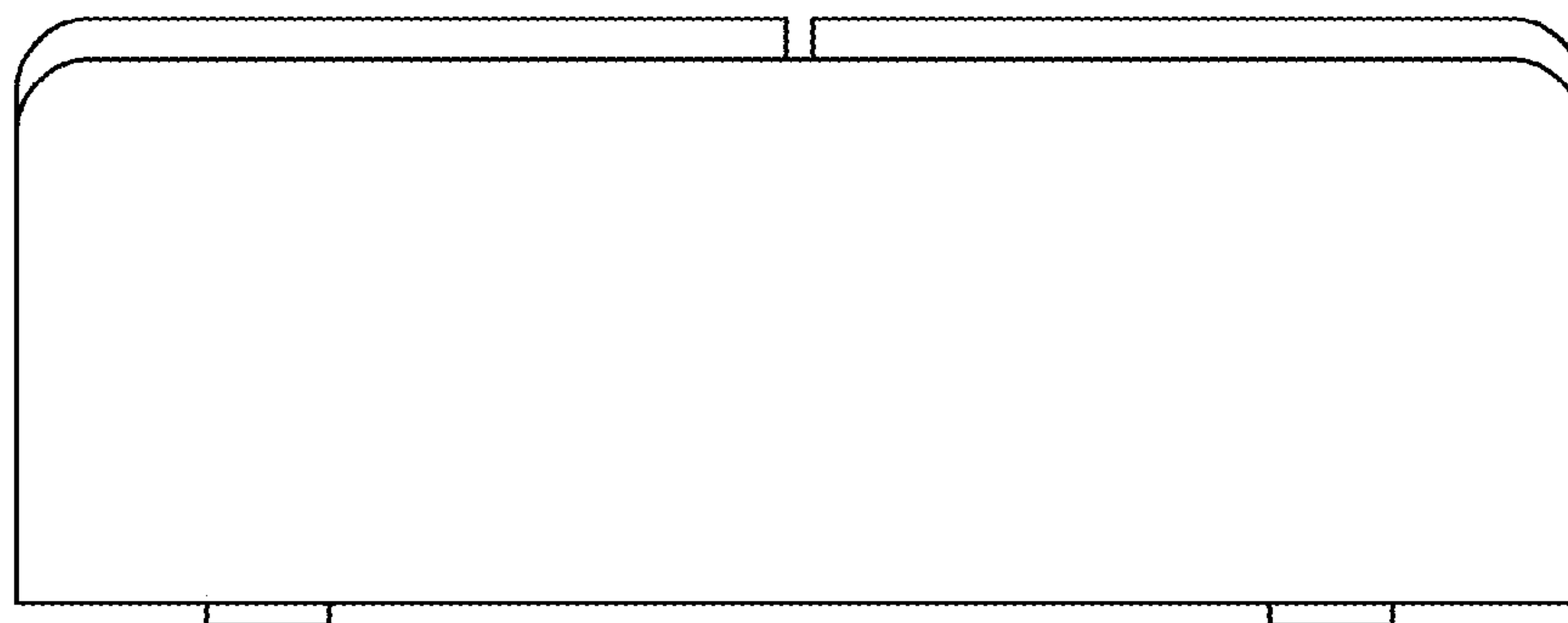


Fig. 4

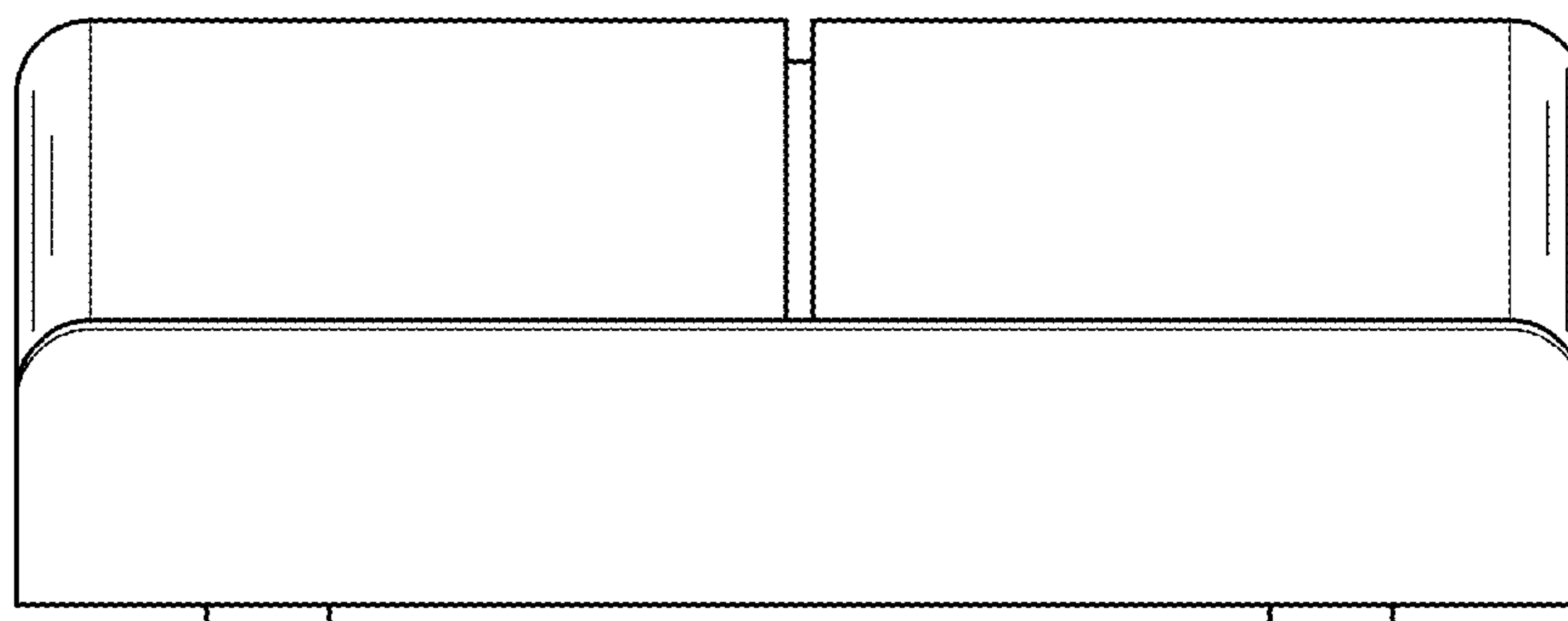


Fig. 5

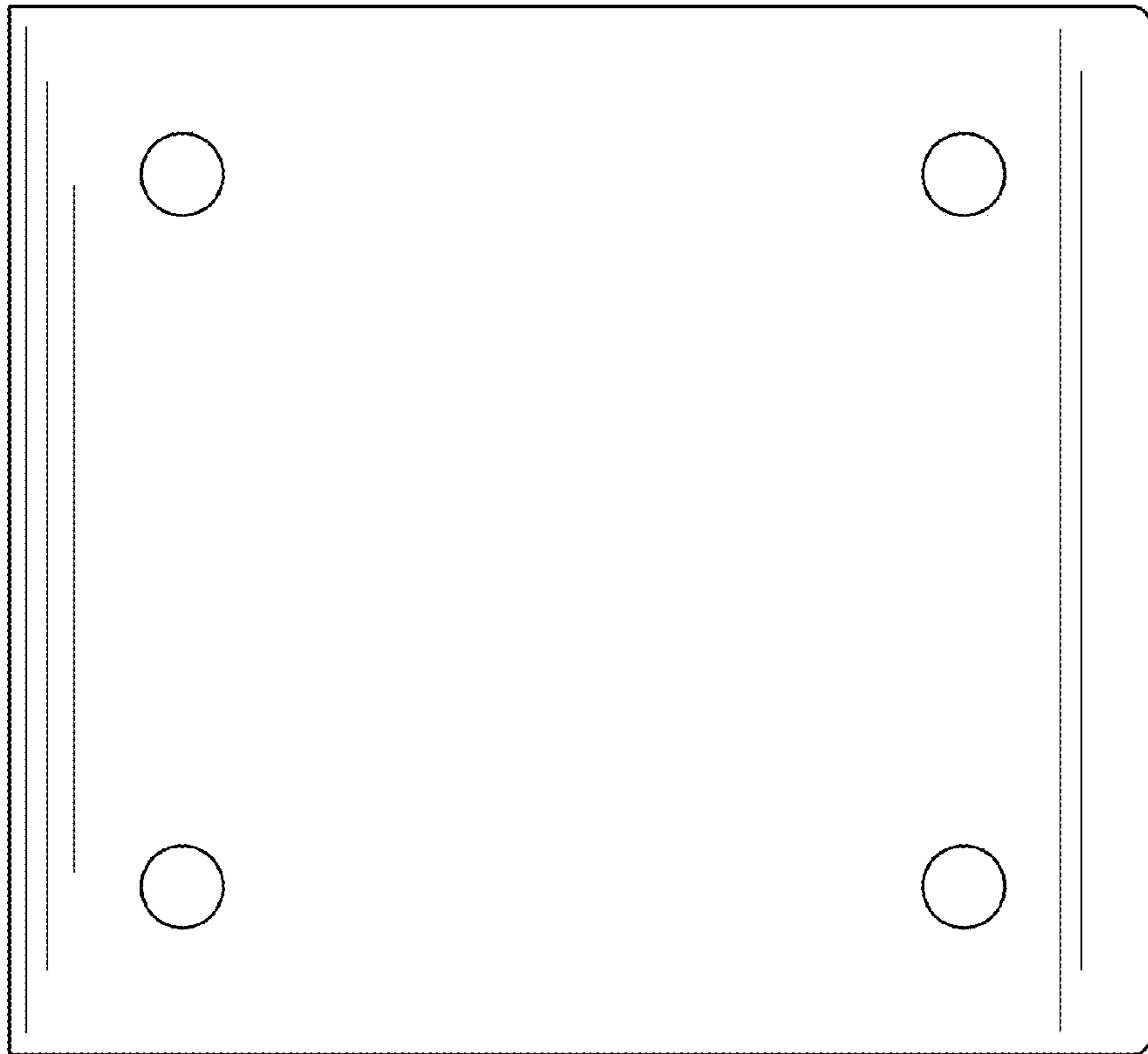


Fig. 6

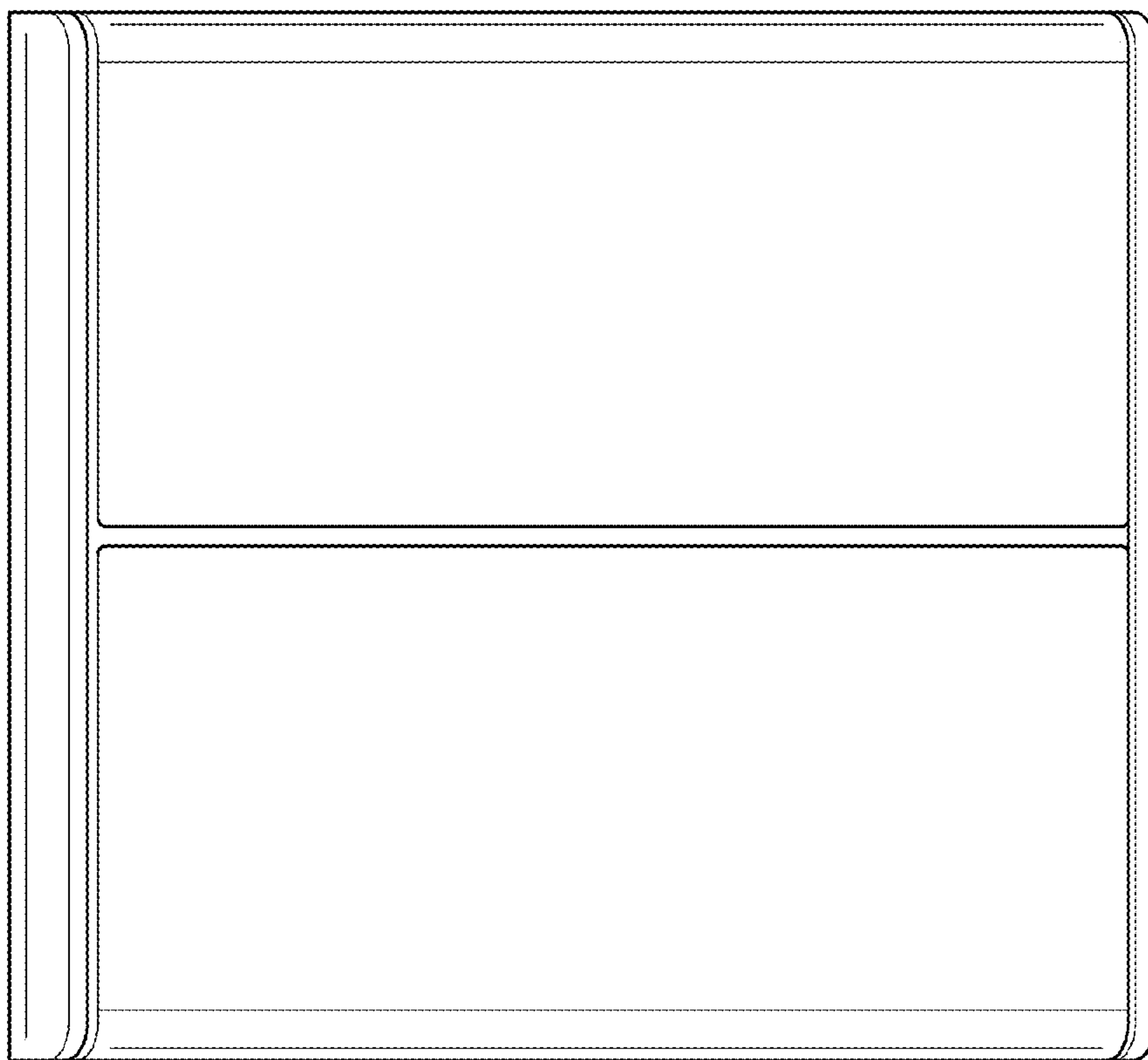


Fig. 7