



US00D681750S

(12) **United States Design Patent**
Meyer-Hayoz

(10) **Patent No.:** **US D681,750 S**

(45) **Date of Patent:** **** May 7, 2013**

(54) **EXERCISE PEDESTAL**

(75) Inventor: **Wolfgang K. Meyer-Hayoz**, Winterthur (CH)

(73) Assignee: **Wellengang GmbH**, Otisheim (DE)

(**) Term: **14 Years**

(21) Appl. No.: **29/403,942**

(22) Filed: **Oct. 13, 2011**

(30) **Foreign Application Priority Data**

Apr. 13, 2011 (WO) DM/075 877

(51) **LOC (9) Cl.** **21-02**

(52) **U.S. Cl.**
USPC **D21/686**

(58) **Field of Classification Search** D21/662,
D21/671, 686, 688, 689, 694; 482/30, 51,
482/52, 70, 74, 77, 79, 80, 121, 142, 146,
482/147, 148; D24/183–185
See application file for complete search history.

(56) **References Cited**

U.S. PATENT DOCUMENTS

D267,513	S	*	1/1983	Weigel et al.	D24/183
4,678,234	A	*	7/1987	Wilson	297/423.45
5,213,554	A	*	5/1993	Goldstein et al.	482/52
5,226,865	A	*	7/1993	Chin	482/52
D339,619	S	*	9/1993	Bugnaski	D21/689
5,277,675	A	*	1/1994	Shifferaw	482/30
5,318,489	A	*	6/1994	Irwin	482/52
D370,949	S	*	6/1996	Furner	D21/671
5,645,511	A	*	7/1997	Le Roux et al.	482/52
5,697,870	A	*	12/1997	Osborn	482/52
5,749,555	A	*	5/1998	Albrecht	248/346.01
5,842,955	A	*	12/1998	Wilkinson	482/52

6,117,051	A	*	9/2000	Suarez et al.	482/51
D449,357	S	*	10/2001	Monter Villar et al.	D21/686
D449,662	S	*	10/2001	Monter Villar et al.	D21/686
D519,172	S	*	4/2006	Penat et al.	D21/671
D593,170	S	*	5/2009	Craig et al.	D21/689
D629,853	S	*	12/2010	Carlesimo et al.	D21/671
D630,687	S	*	1/2011	Meinel	D21/686
2010/0029443	A1	*	2/2010	Kim	482/52
2011/0207583	A1	*	8/2011	Elpers	482/52
2011/0256987	A1	*	10/2011	Lepore	482/52

* cited by examiner

Primary Examiner — Susan E Krakower

(74) *Attorney, Agent, or Firm* — Blue Filament Law PLLC;
Avery N. Goldstein

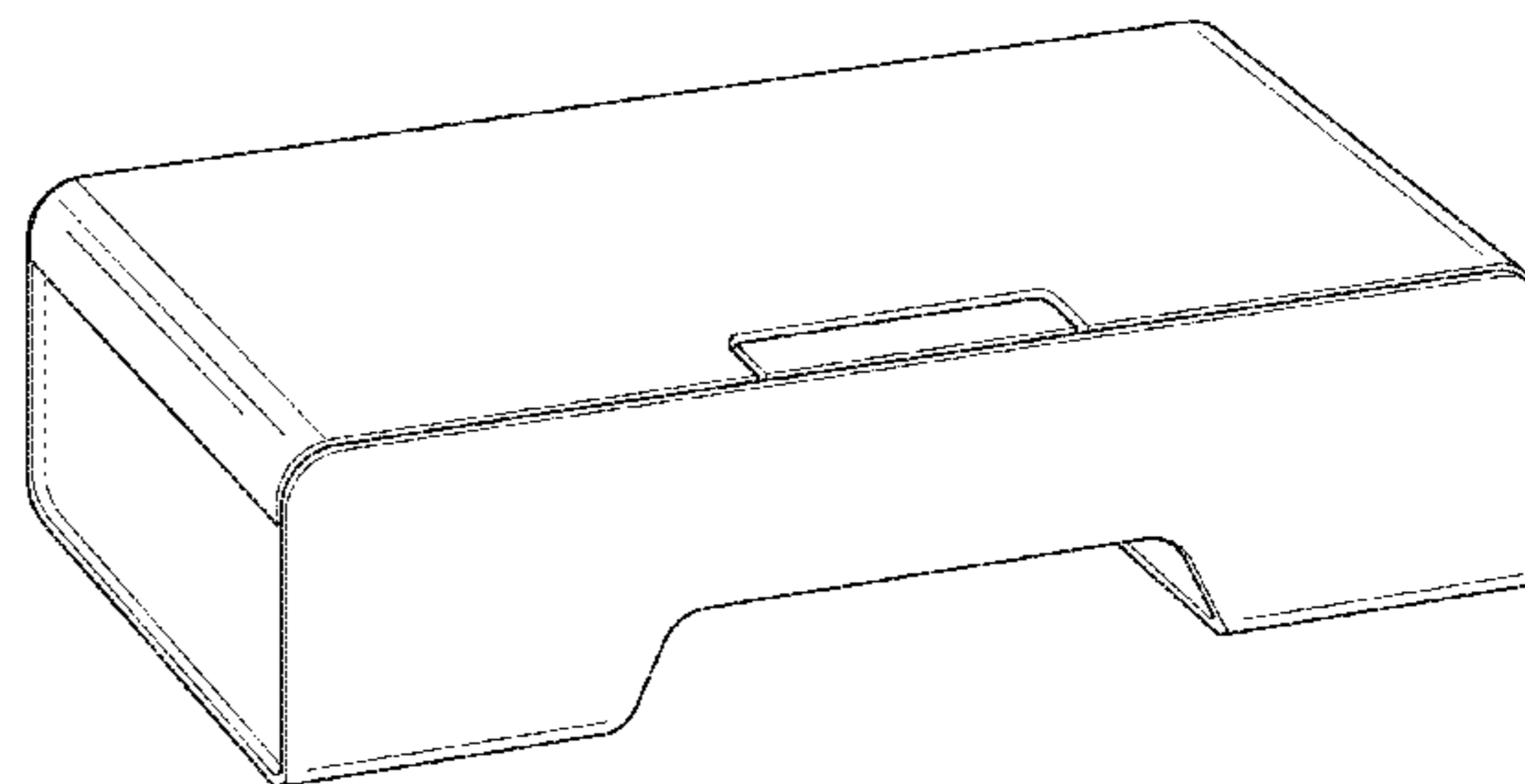
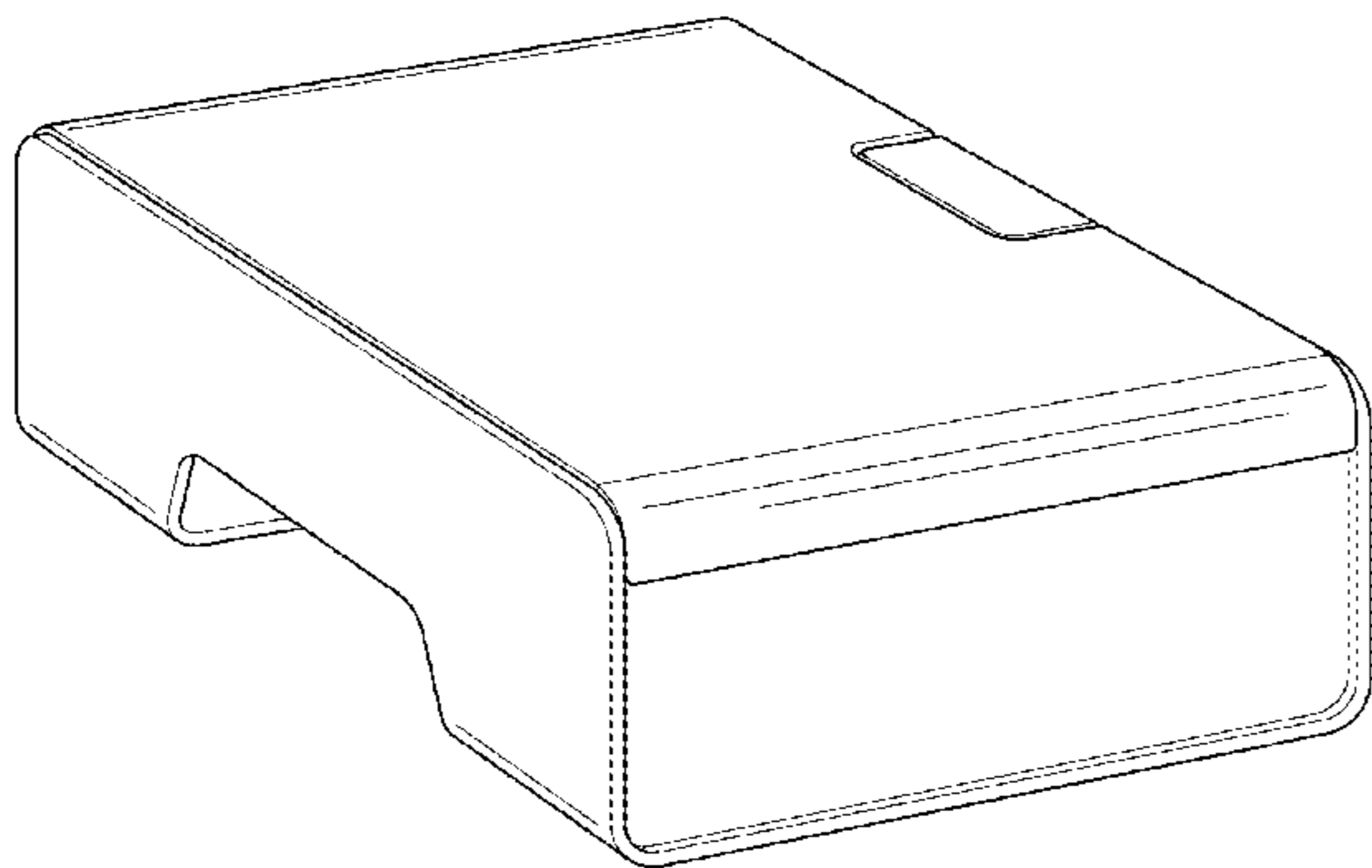
(57) **CLAIM**

The ornamental design for an exercise pedestal, as shown and described.

DESCRIPTION

FIG. 1 is a side and front perspective view of an exercise pedestal;
 FIG. 2 is a right side view of the exercise pedestal depicted in FIG. 1;
 FIG. 3 is a side and rear perspective view of the exercise pedestal depicted in FIG. 1;
 FIG. 4 is a left side view of the exercise pedestal depicted in FIG. 1;
 FIG. 5 is a rear view of the exercise pedestal depicted in FIG. 1;
 FIG. 6 is a front view of the exercise pedestal depicted in FIG. 1;
 FIG. 7 is a bottom view of the exercise pedestal depicted in FIG. 1; and,
 FIG. 8 is a top view of the exercise pedestal depicted in FIG. 1.

1 Claim, 4 Drawing Sheets



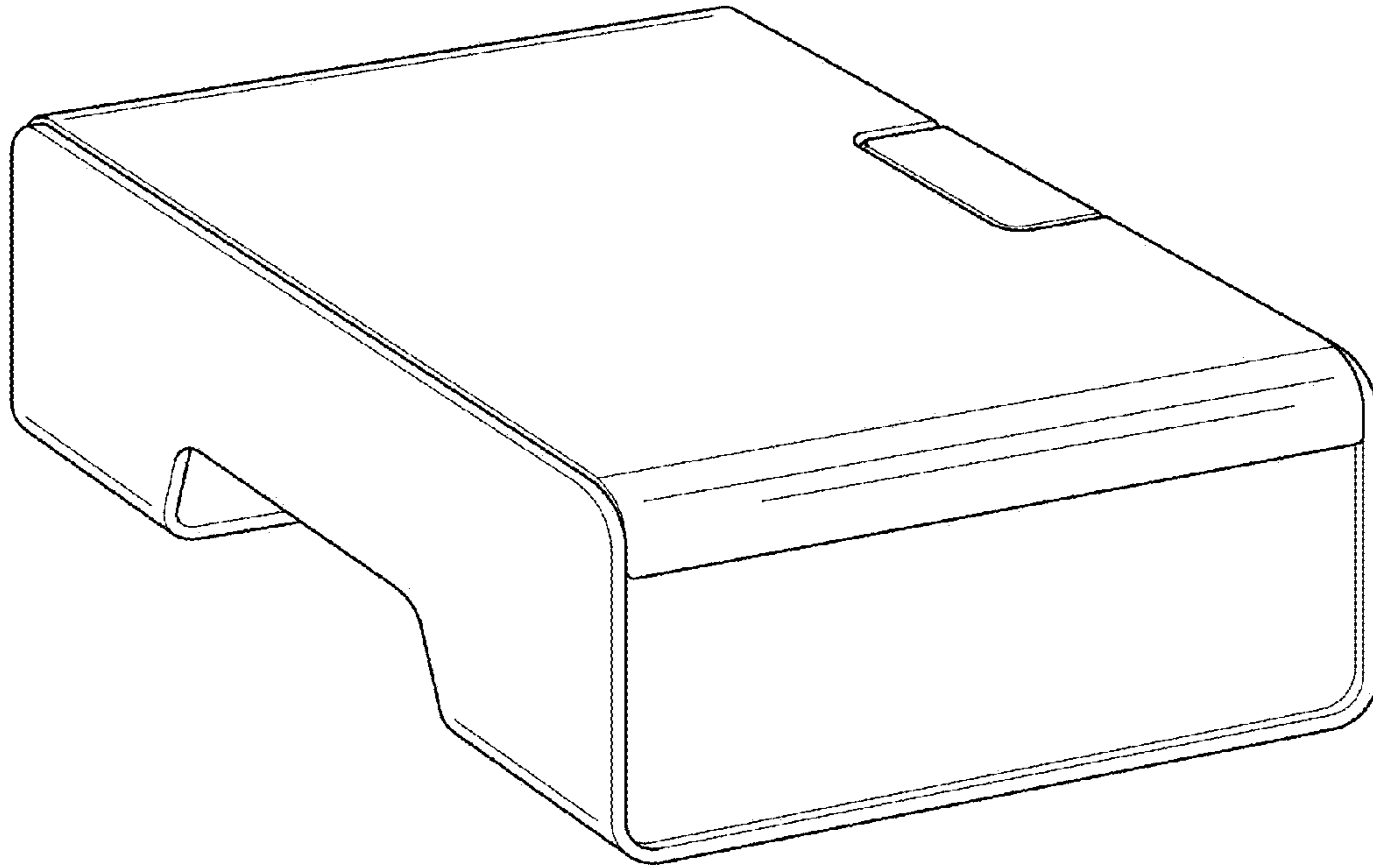


Fig. 1

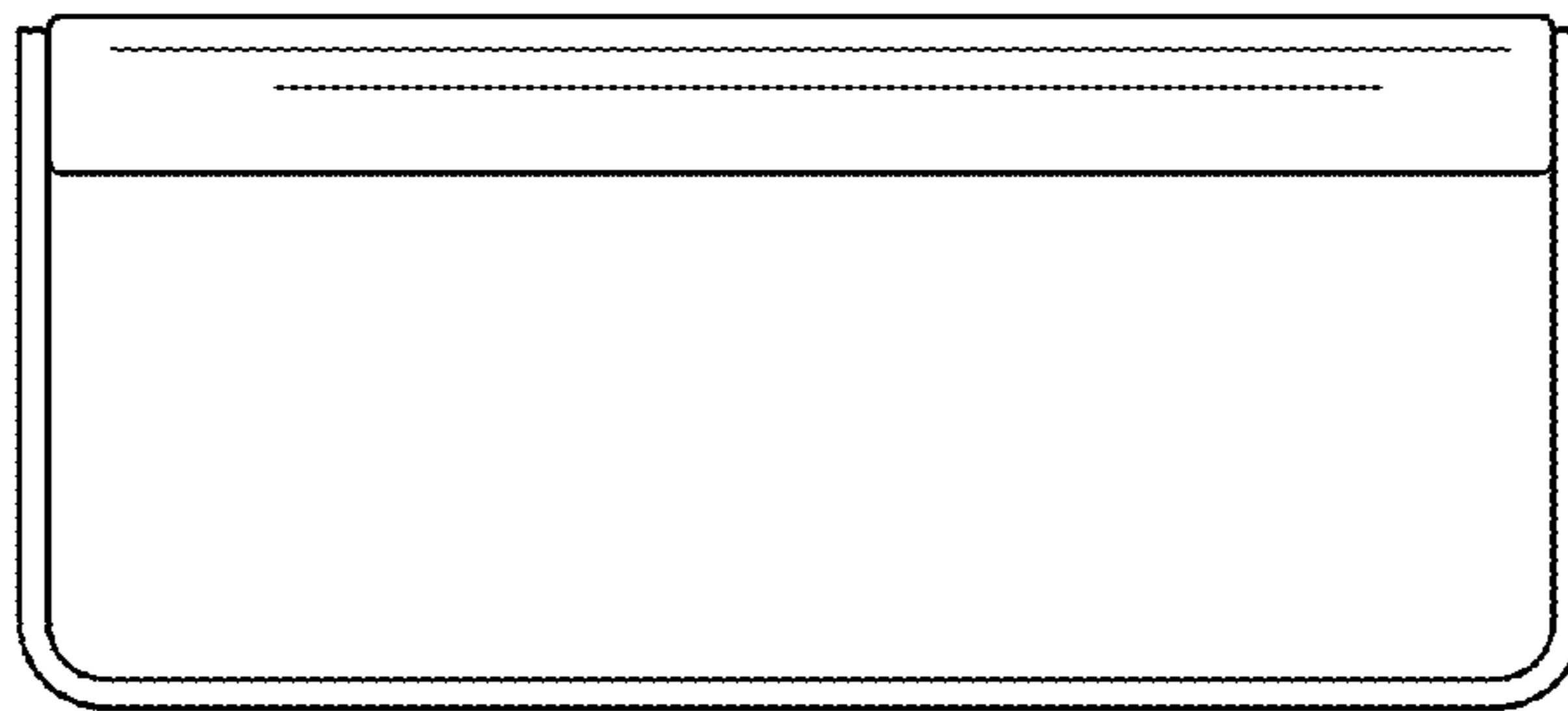


Fig. 2

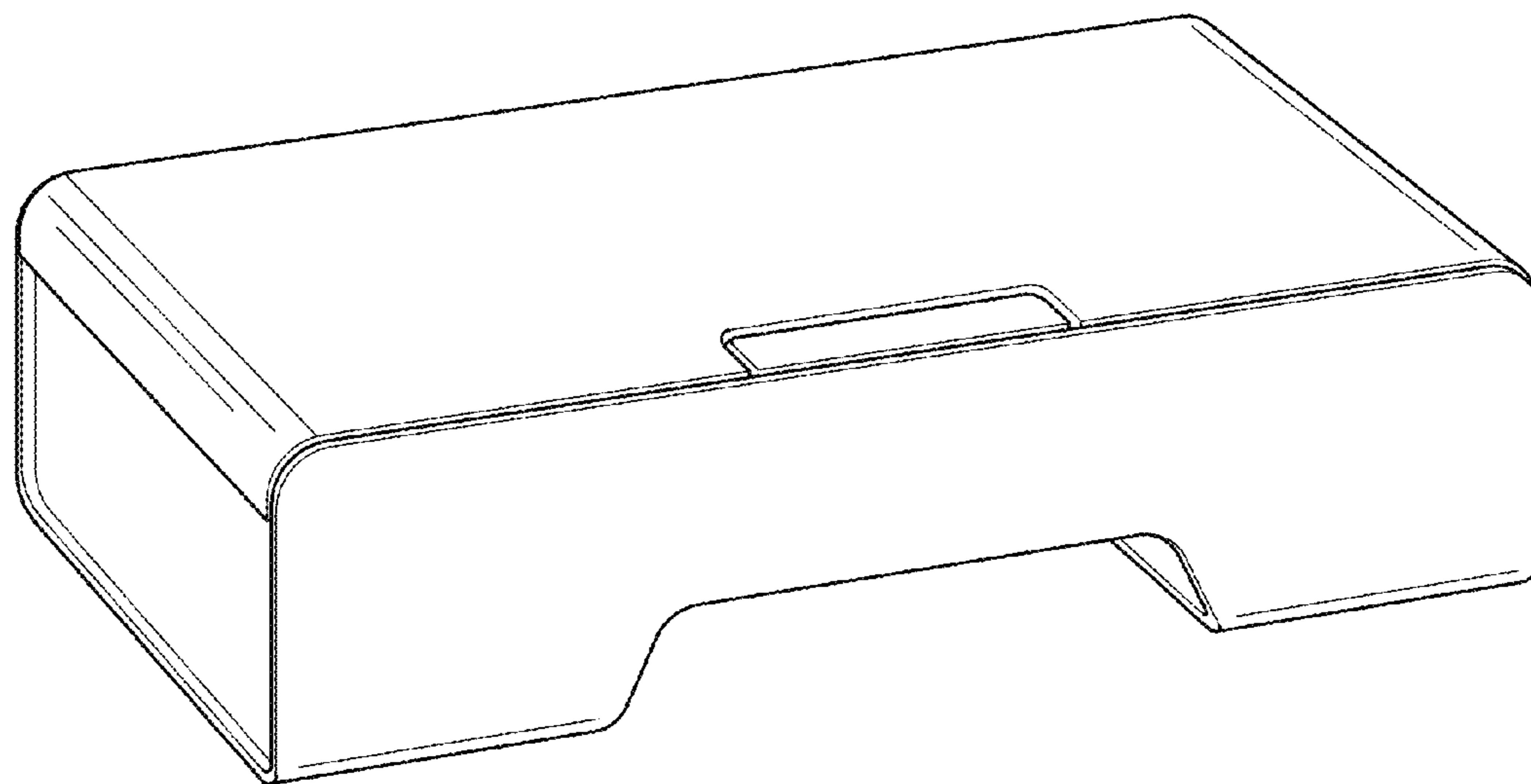


Fig. 3

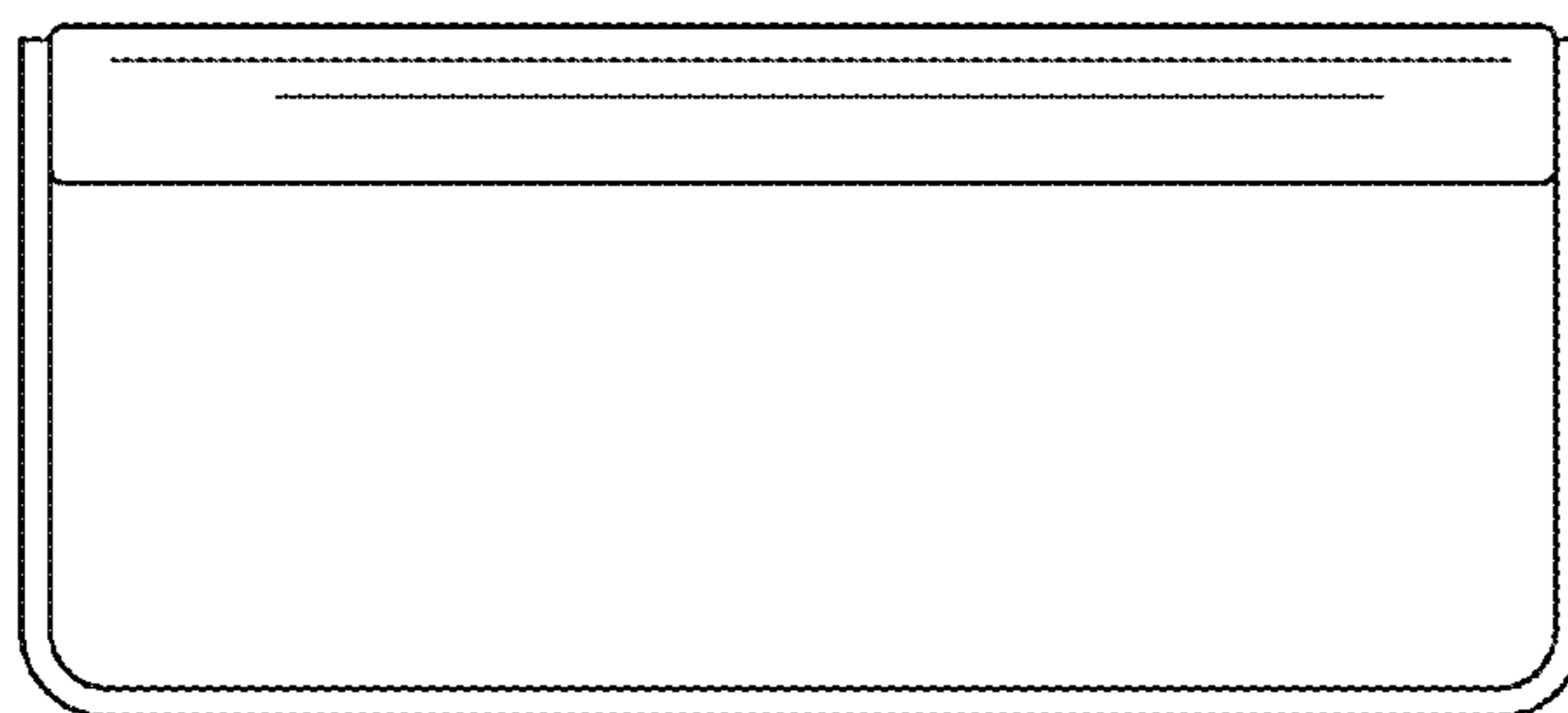


Fig. 4

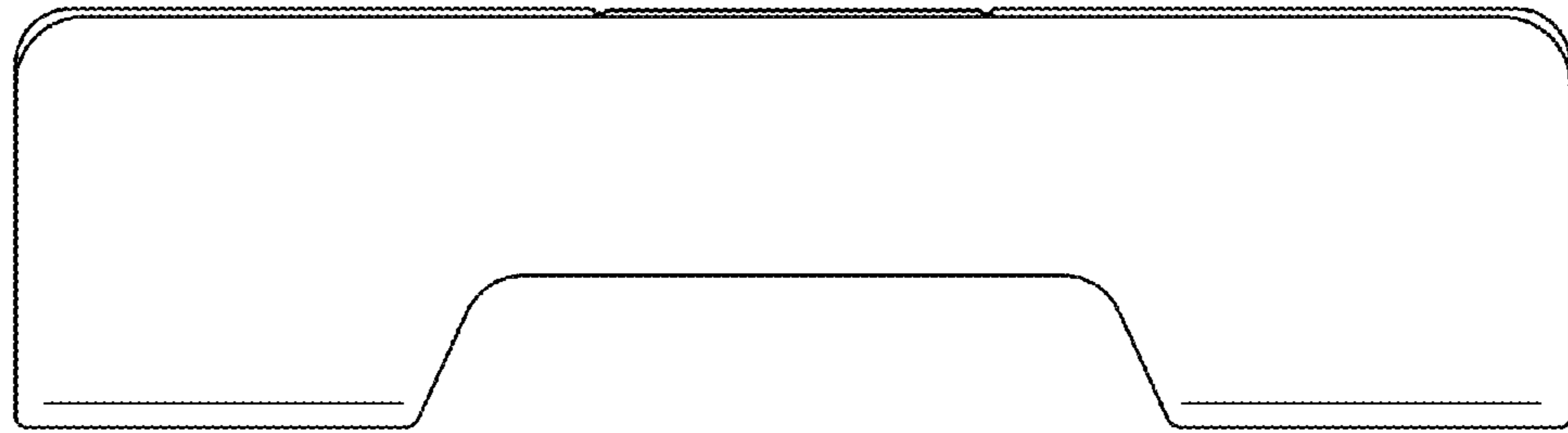


Fig. 5

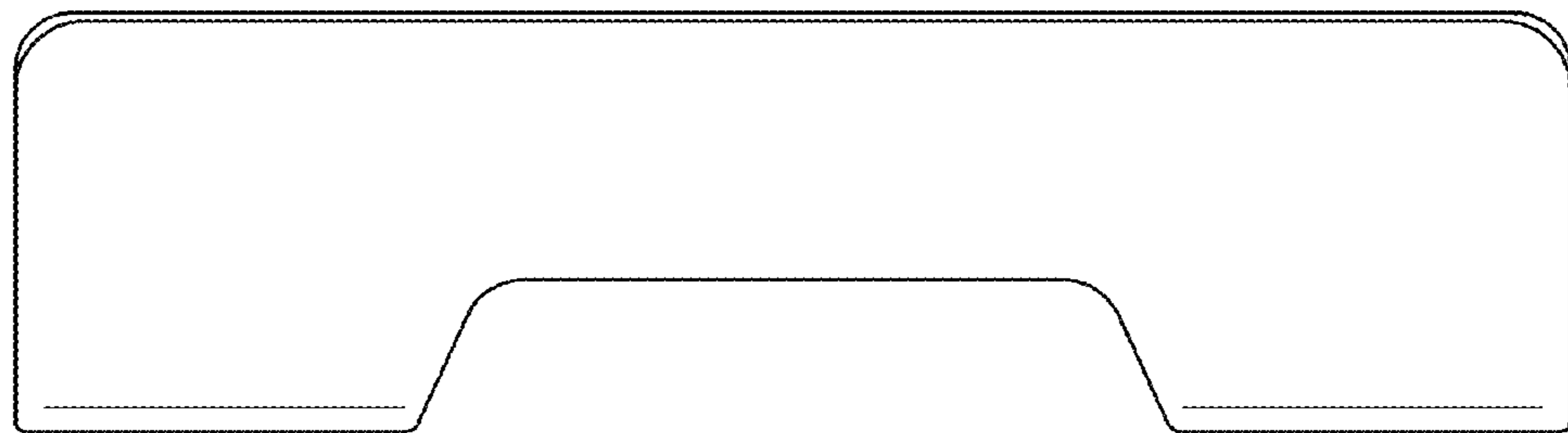


Fig. 6

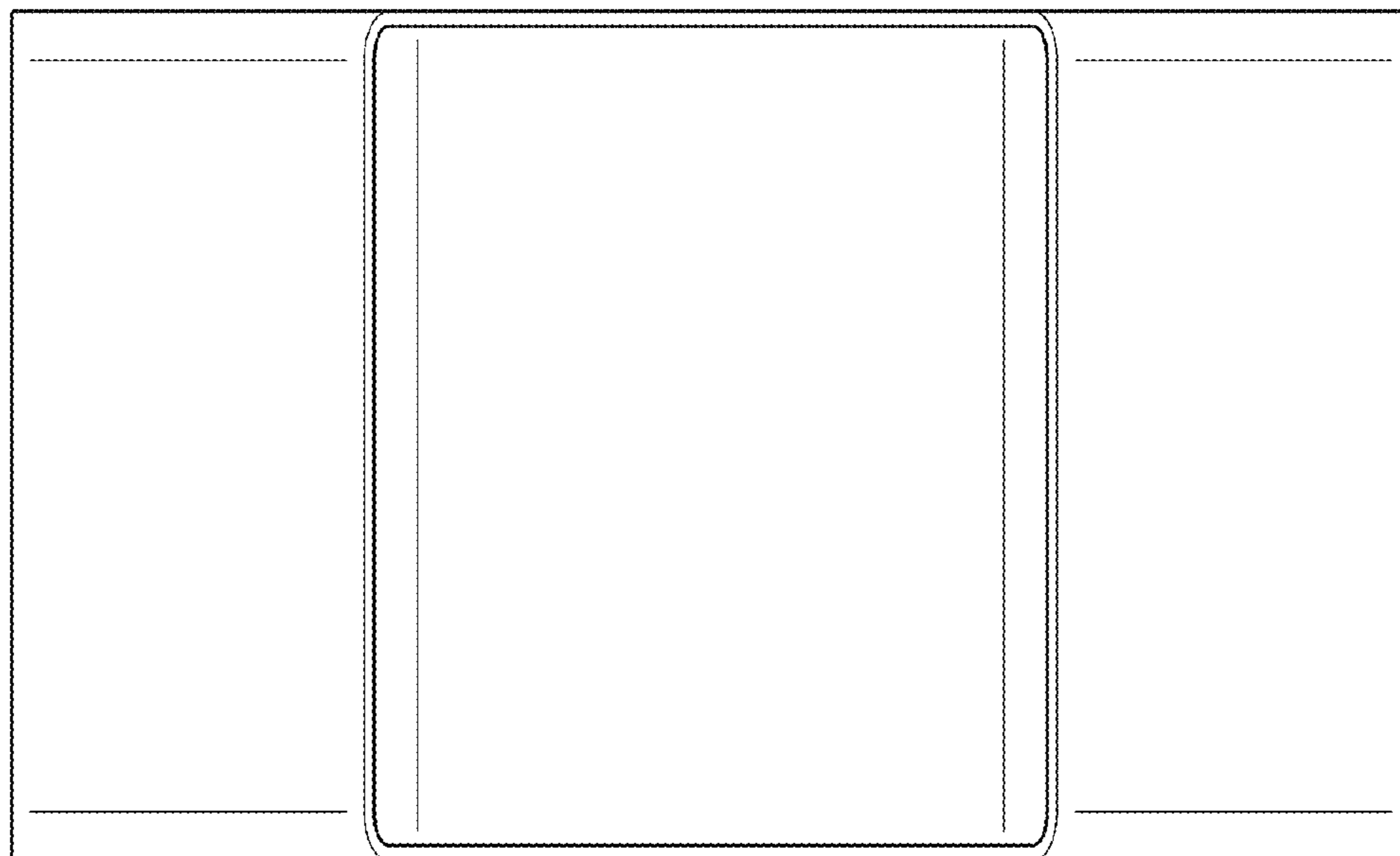


Fig. 7

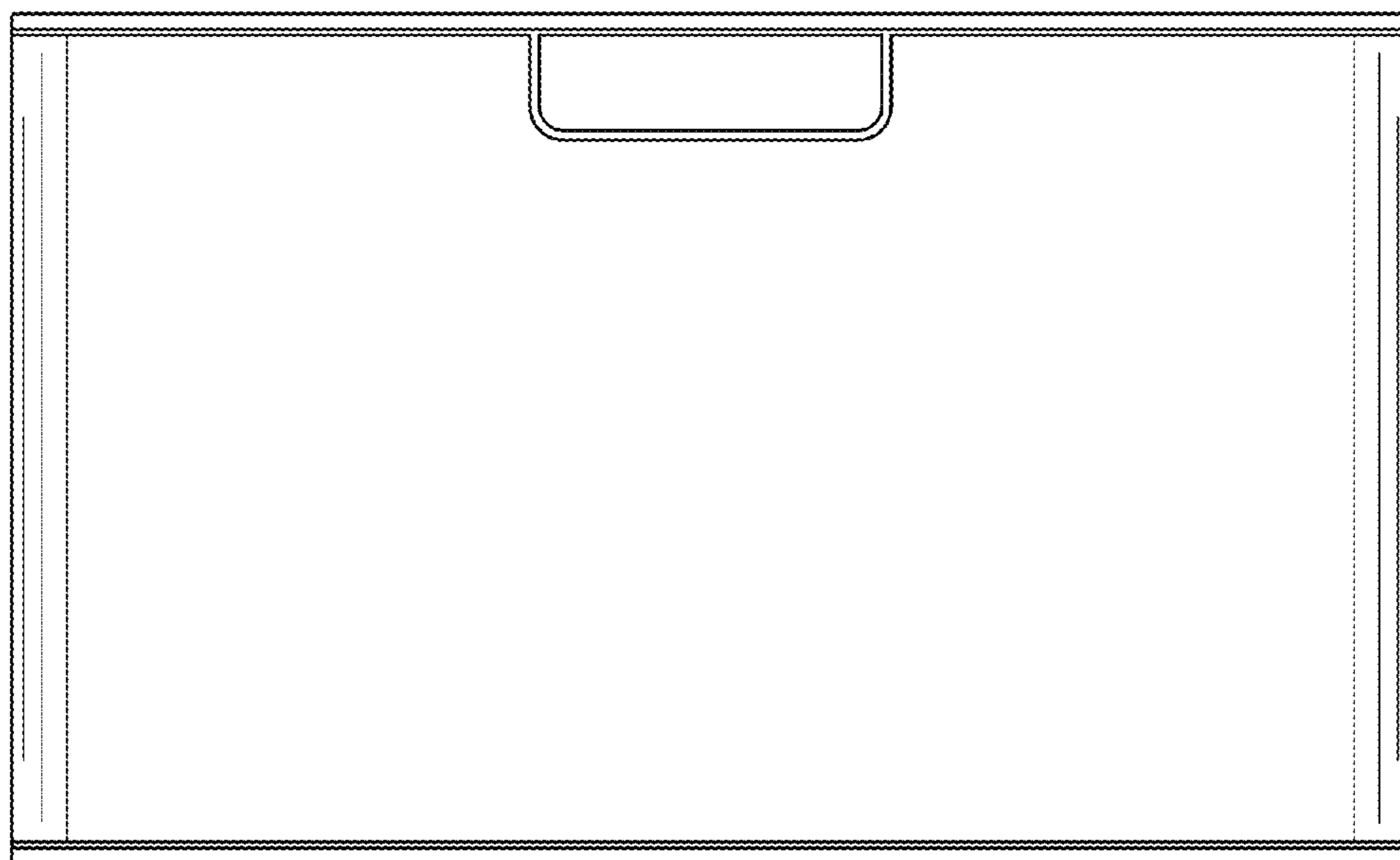


Fig. 8