



US00D681742S

(12) **United States Design Patent**
Martino et al.

(10) **Patent No.:** **US D681,742 S**

(45) **Date of Patent:** **** May 7, 2013**

(54) **TOY VEHICLE**

(75) Inventors: **Anthony M. Martino**, Thousand Oaks, CA (US); **Kevin Kai Cao**, Reseda, CA (US)

(73) Assignee: **Mattel, Inc.**, El Segundo, CA (US)

(**) Term: **14 Years**

(21) Appl. No.: **29/397,875**

(22) Filed: **Jul. 21, 2011**

(51) **LOC (9) Cl.** **21-01**

(52) **U.S. Cl.**
USPC **D21/550**

(58) **Field of Classification Search** D14/137, D14/138, 143, 144, 147, 148, 149, 150, 168, D14/170–171, 188, 189, 193–198, 207, 218, D14/250; D21/516, 532, 533, 539, 548, D21/549, 550, 551; 446/431, 447–448, 456, 446/465–466; 455/344, 350, 351; D3/263

See application file for complete search history.

(56) **References Cited**

U.S. PATENT DOCUMENTS

1,990,793 A * 2/1935 Matsumoto 446/470
D95,791 S * 6/1935 Baetz D21/548

(Continued)

FOREIGN PATENT DOCUMENTS

DE 19902852 7/2000
EP 0281427 9/1988

(Continued)

OTHER PUBLICATIONS

Joanna Stern. Hot Wheels Video Racer has a VGA camera under its hood, confirms that kids have it all. Engadget. Jan. 21, 2010 [online], [retrieved on Oct. 1, 2012]. Retrieved from the Internet <URL: http://

www.engadget.com/2011/01/21/hot-wheels-video-racer-has-a-vga-camera-under-its-hood-confirms/>.*

(Continued)

Primary Examiner — Philip S Hyder

Assistant Examiner — Darlington Ly

(74) *Attorney, Agent, or Firm* — Kolisch Hartwell, PC

(57) **CLAIM**

We claim the ornamental design for a toy vehicle, as shown and described.

DESCRIPTION

FIG. 1 shows a top front right perspective view of a toy vehicle.

FIG. 2 shows a top rear left perspective view of the toy vehicle of FIG. 1.

FIG. 3 shows a right side view of the toy vehicle of FIG. 1.

FIG. 4 shows a left side view of the toy vehicle of FIG. 1.

FIG. 5 shows a front view of the toy vehicle of FIG. 1.

FIG. 6 shows a rear view of the toy vehicle of FIG. 1.

FIG. 7 shows a top view of the toy vehicle of FIG. 1.

FIG. 8 shows a bottom view of the toy vehicle of FIG. 1.

FIG. 9 shows a top front right perspective view of an alternative embodiment of a toy vehicle.

FIG. 10 shows a top rear left perspective view of the toy vehicle of FIG. 9.

FIG. 11 shows a right side view of the toy vehicle of FIG. 9.

FIG. 12 shows a left side view of the toy vehicle of FIG. 9.

FIG. 13 shows a front view of the toy vehicle of FIG. 9.

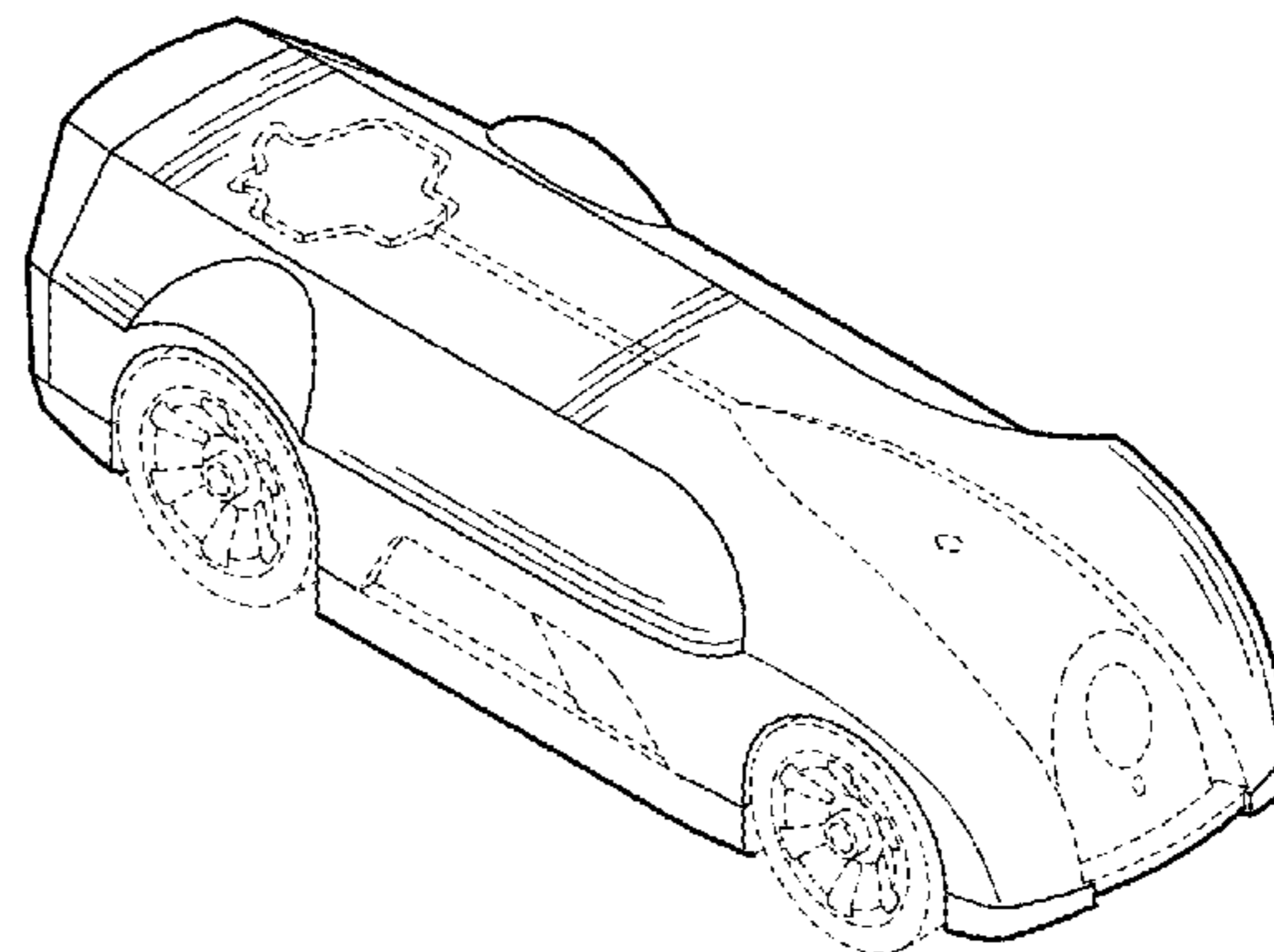
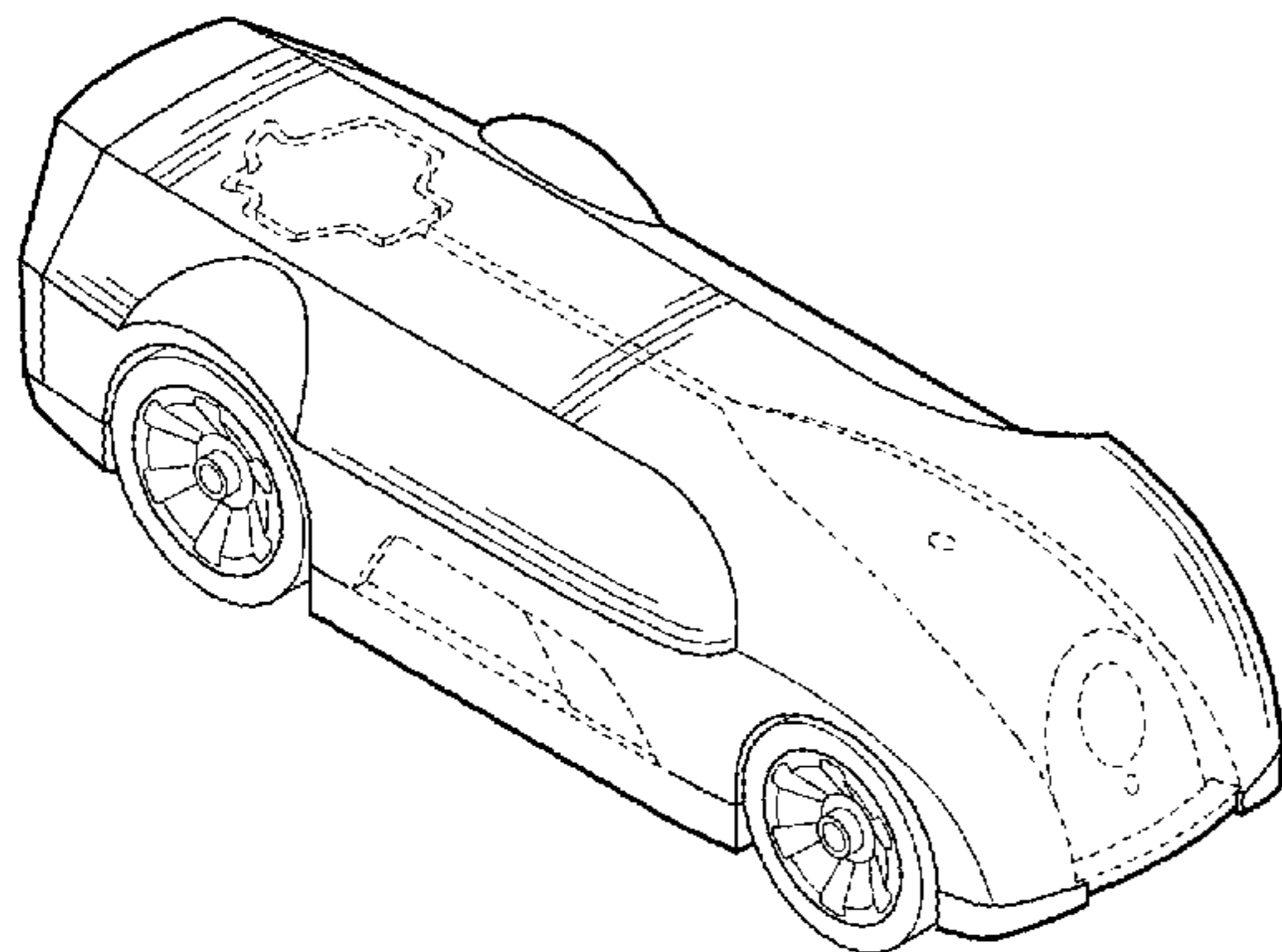
FIG. 14 shows a rear view of the toy vehicle of FIG. 9.

FIG. 15 shows a top view of the toy vehicle of FIG. 9; and,

FIG. 16 shows a bottom view of the toy vehicle of FIG. 9.

The broken lines shown in the drawings illustrate portions of the toy vehicle that form no part of the claimed design.

1 Claim, 6 Drawing Sheets



US D681,742 S

Page 2

U.S. PATENT DOCUMENTS

D142,229	S *	8/1945	Roach	D21/550
4,132,028	A	1/1979	Ogawa	
4,193,639	A	3/1980	Pauly et al.	
4,299,051	A	11/1981	Pauly et al.	
D266,342	S *	9/1982	Wilkes	D21/549
4,406,085	A	9/1983	Rhodes	
D279,591	S *	7/1985	Ogawa	D21/580
D301,355	S *	5/1989	Doi	D21/581
D311,882	S *	11/1990	Furst	D12/92
4,986,187	A	1/1991	Booth et al.	
5,035,382	A	7/1991	Lissaman et al.	
5,174,593	A	12/1992	Chapman	
5,350,033	A	9/1994	Kraft	
5,481,257	A	1/1996	Brubaker et al.	
5,555,019	A	9/1996	Dole	
5,596,319	A	1/1997	Spry	
D424,633	S *	5/2000	Hollis et al.	D21/548
6,155,835	A	12/2000	Shercliff	
6,224,227	B1	5/2001	Klootz	
6,264,521	B1	7/2001	Hernandez	
6,293,798	B1	9/2001	Boyle et al.	
6,497,608	B2	12/2002	Ho et al.	
6,520,642	B1	2/2003	Chapman	
6,535,793	B2	3/2003	Allard	
6,547,624	B1	4/2003	Bojesen et al.	
6,568,983	B1	5/2003	Peters	
6,612,658	B1	9/2003	Oumedian	
6,632,121	B2	10/2003	Edmisson et al.	
6,692,329	B2	2/2004	Peters	
6,733,360	B2	5/2004	Dooley et al.	
6,746,304	B1	6/2004	Liu	
6,752,720	B1	6/2004	Clapper et al.	
6,811,492	B1	11/2004	Arakawa et al.	
6,954,695	B2	10/2005	Bonilla et al.	
D541,354	S *	4/2007	Campbell et al.	D21/581
D542,362	S *	5/2007	Campbell	D21/581
7,402,964	B1	7/2008	Calhoun	
D576,523	S *	9/2008	Battams et al.	D12/88

7,445,539	B2	11/2008	Laurienzo et al.	
7,494,398	B2	2/2009	Laurienzo	
D587,629	S *	3/2009	Crijns	D12/88
7,704,119	B2	4/2010	Evans	
7,731,588	B2	6/2010	Templeman	
7,762,731	B2	7/2010	Arbuckle et al.	
7,777,969	B2	8/2010	Shirono et al.	
2001/0015766	A1	8/2001	Marchesini	
2001/0045978	A1	11/2001	McConnell et al.	
2002/0106965	A1	8/2002	Dooley et al.	
2003/0190856	A1	10/2003	Peters	
2003/0232649	A1	12/2003	Gizis et al.	
2004/0251650	A1	12/2004	Katsuyama et al.	
2006/0223635	A1	10/2006	Rosenberg	
2006/0293102	A1	12/2006	Kelsey	
2009/0004948	A1	1/2009	Ando et al.	
2009/0140570	A1	6/2009	Houkal	
2010/0081357	A1	4/2010	Alles	
2012/0052767	A1 *	3/2012	Martino et al.	446/465

FOREIGN PATENT DOCUMENTS

EP	1310280	5/2003
JP	10043439	2/1998
WO	0156676	8/2001

OTHER PUBLICATIONS

Carol Mangis. Hot Wheels makes RC cars pocketable. Consumer Reports. Feb. 17, 2011 [online], [retrieved on Oct. 1, 2012]. Retrieved from the Internet <URL: <http://news.consumerreports.org/electronics/2011/02/mattel-hot-wheels-video-racer.html>>.*

Straylor. Mattel Hot Wheels Video Racer: Get footage from a toy-eye view. YouTube. Jan. 9, 2011 [online], [retrieved on Oct. 1, 2012]. Retrieved from the Internet <URL: <http://www.youtube.com/watch?v=1xujxUWs-rs>>.*

WWW.HALFBAKERY.COM; "A Matchbox Car Camera: Inside Perspective on Toy Car Stunts"; Jul. 12, 2000; 3 pages; http://www.halfbakery.com/idea/A_20Matchbox_20Car_20_Camera.

* cited by examiner

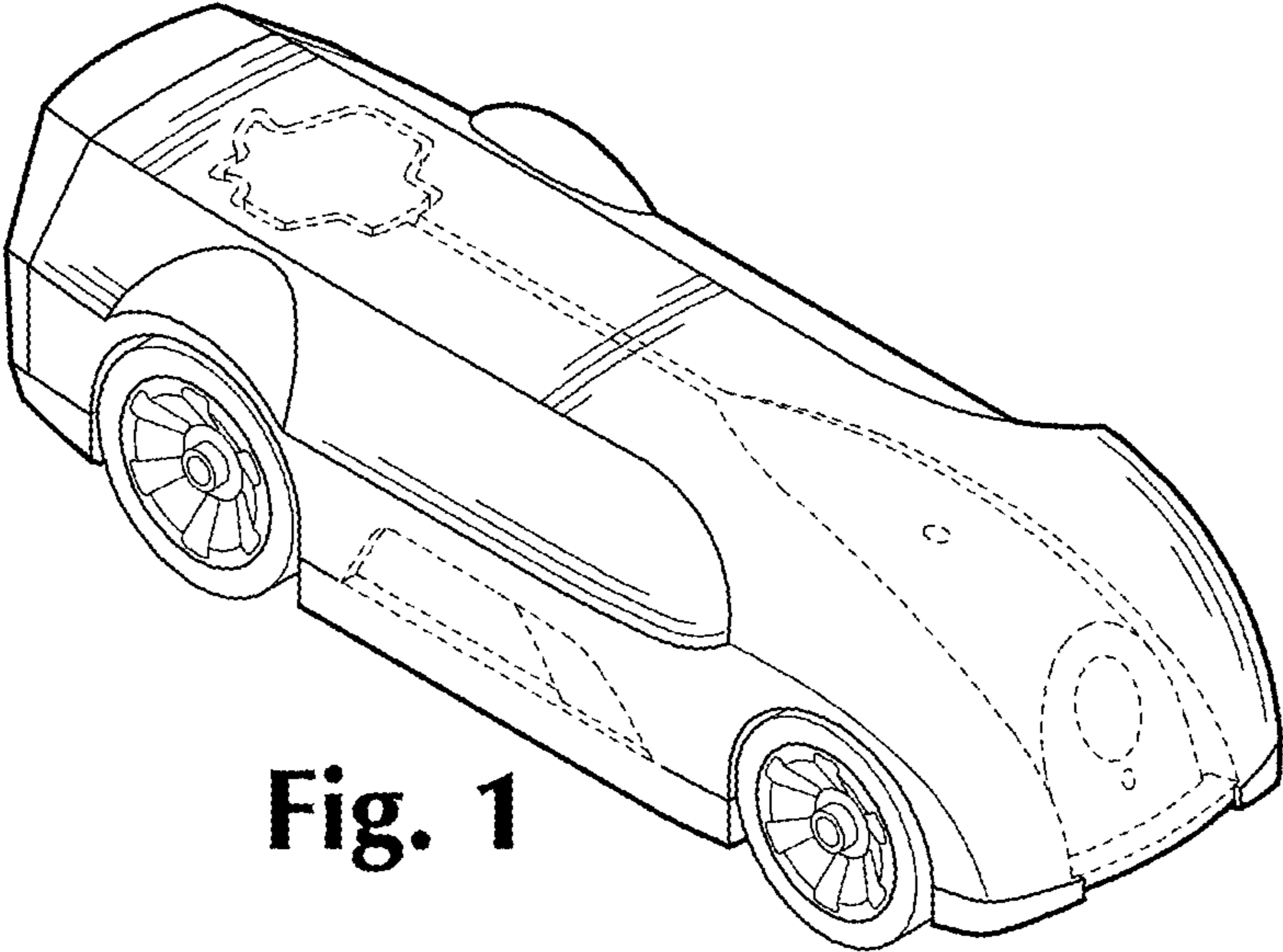


Fig. 1

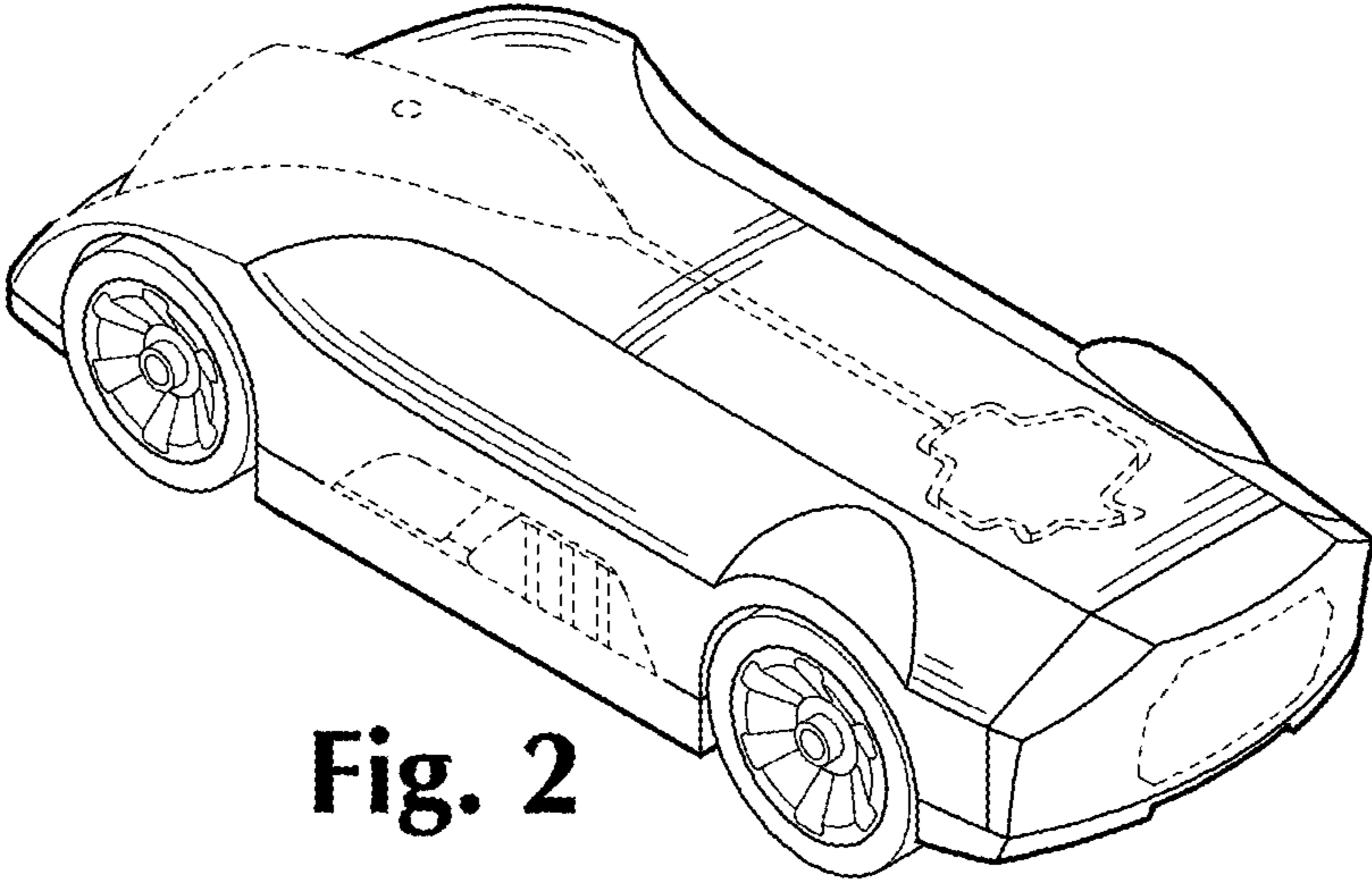


Fig. 2

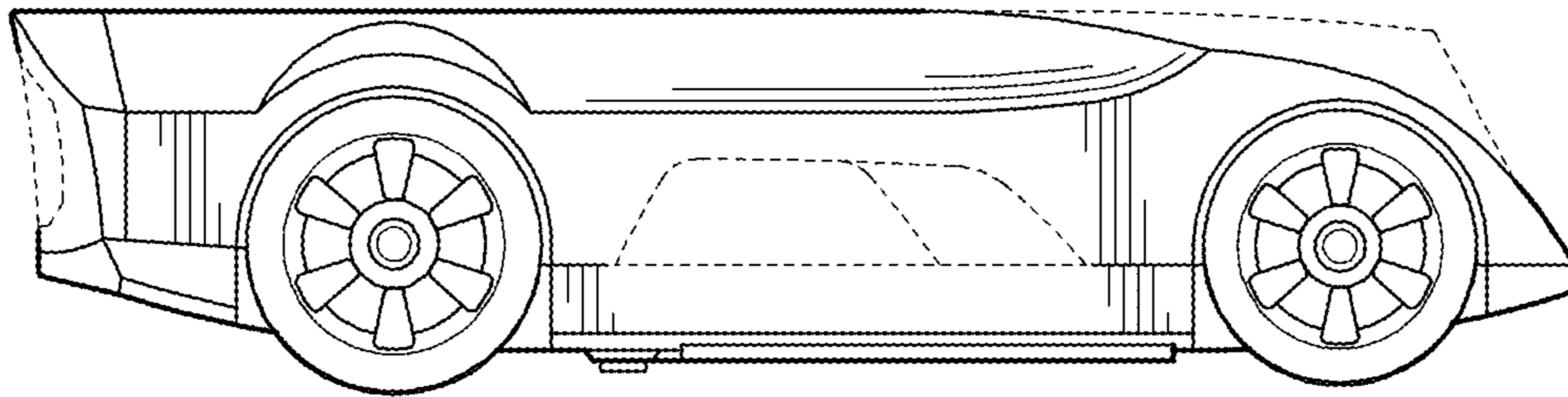


Fig. 3

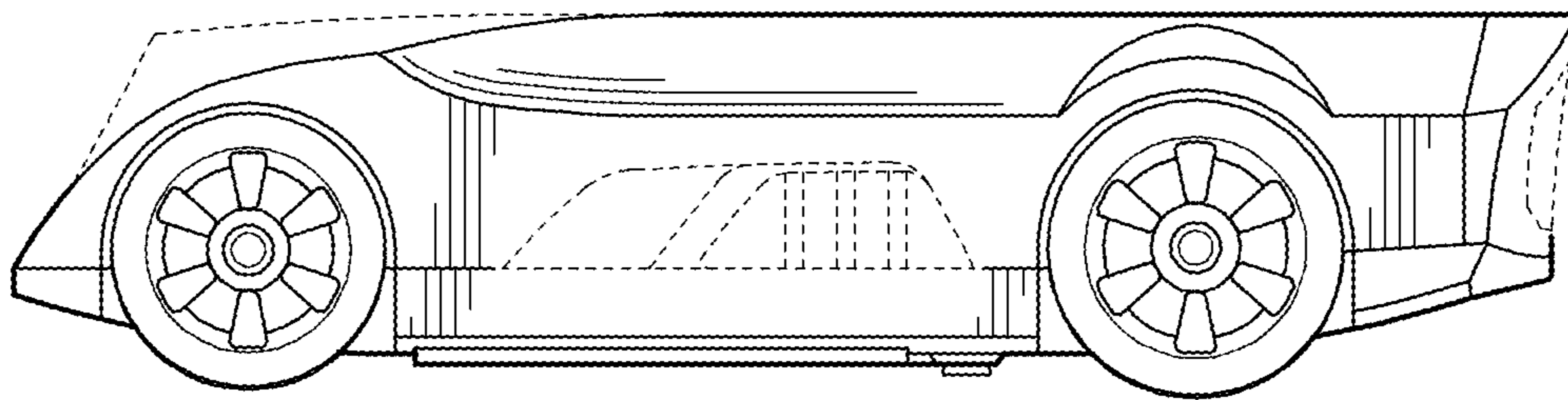


Fig. 4

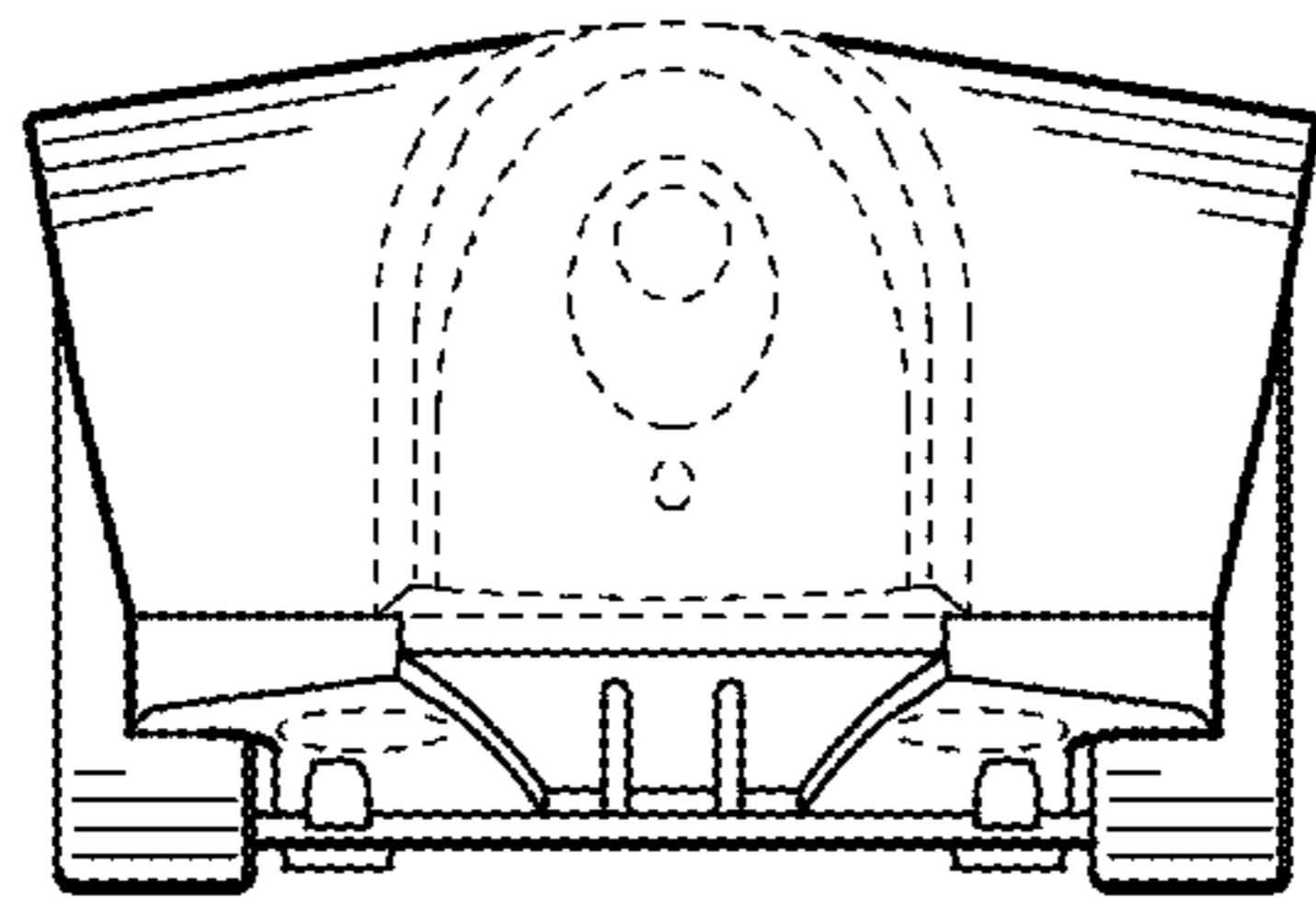


Fig. 5

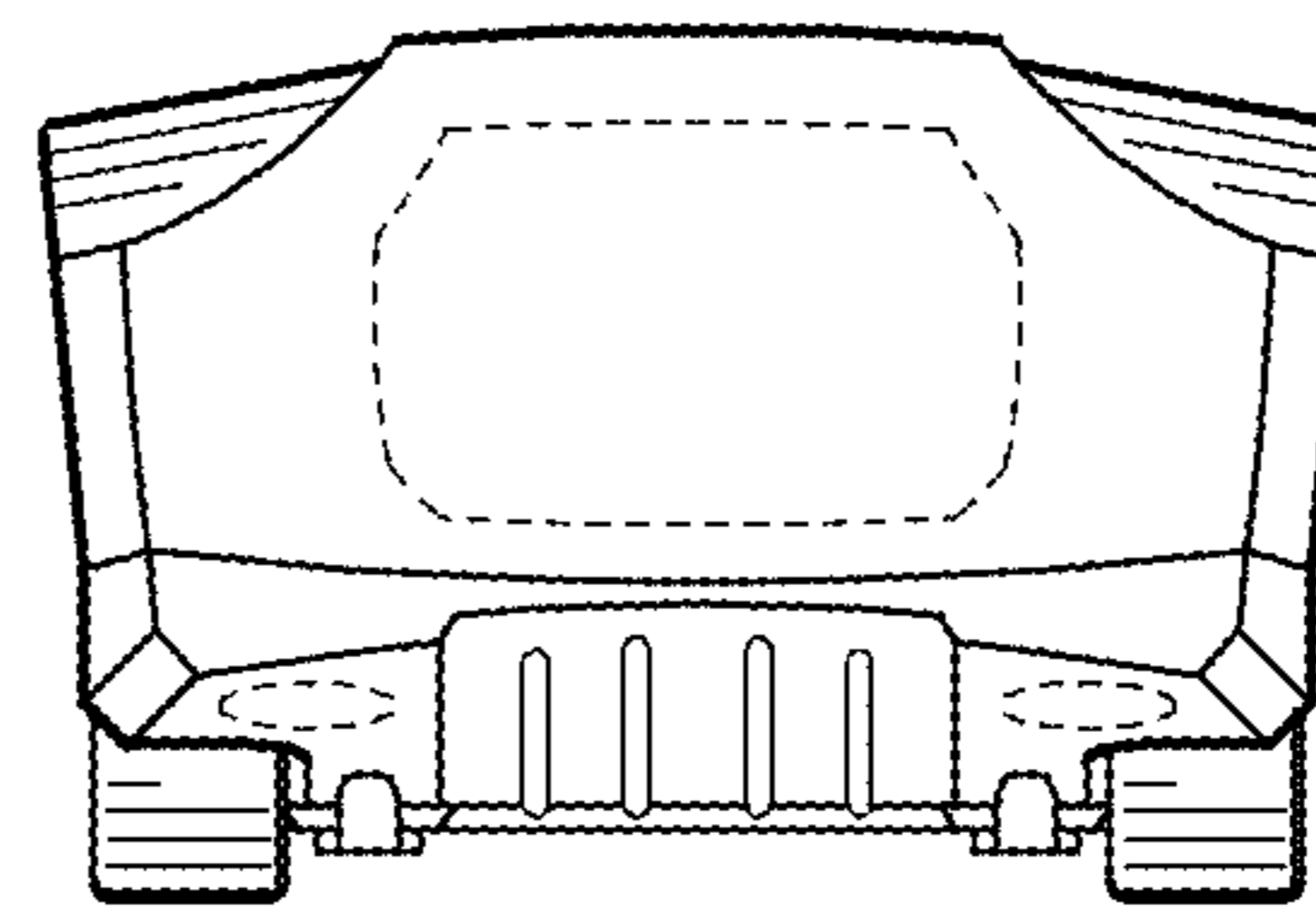


Fig. 6

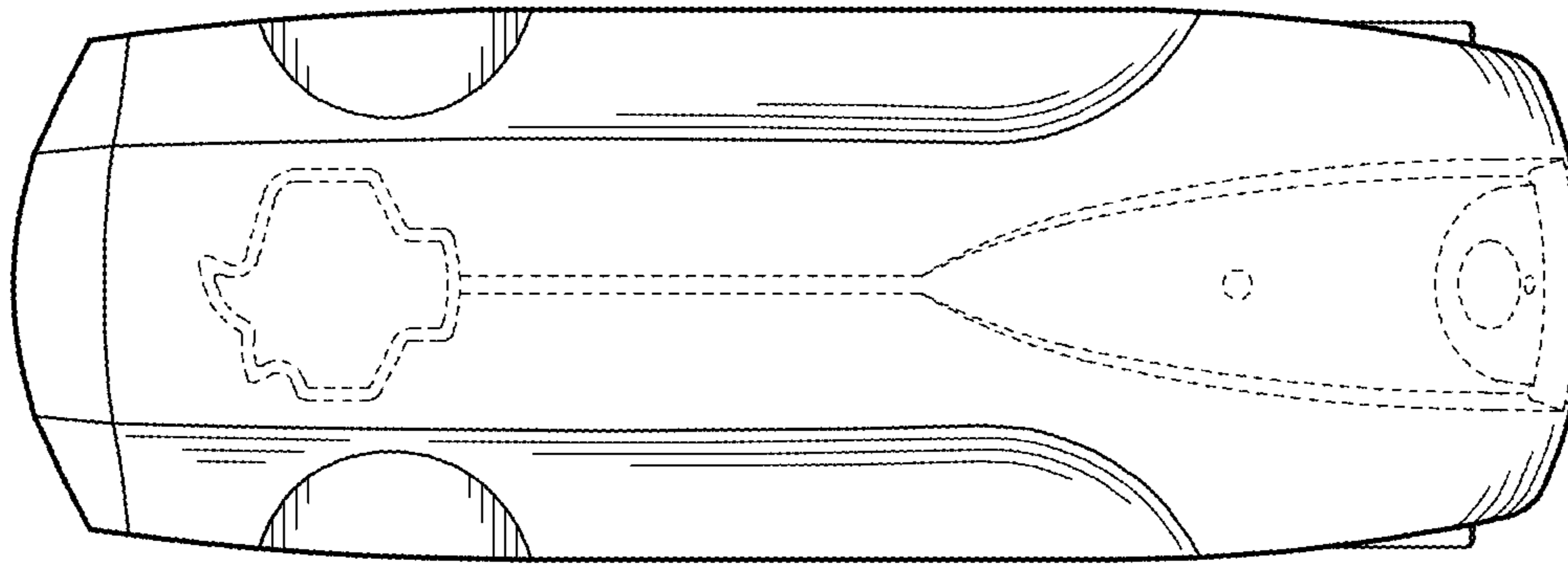


Fig. 7

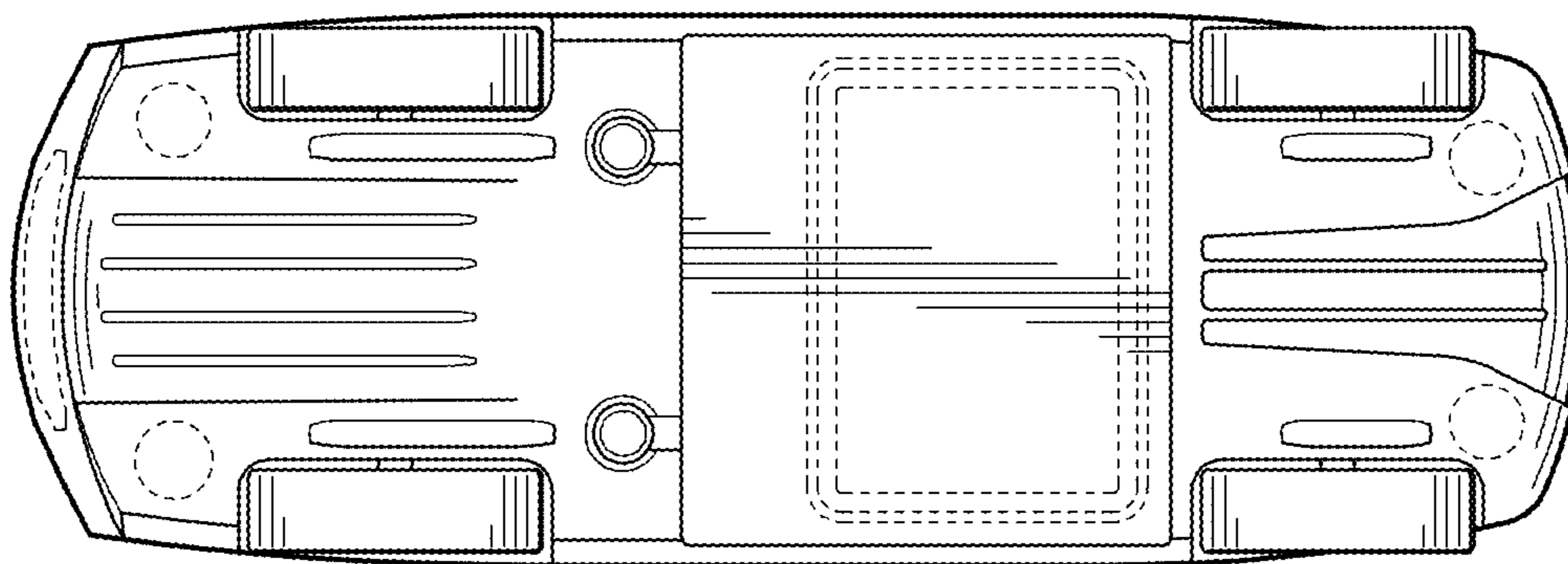


Fig. 8

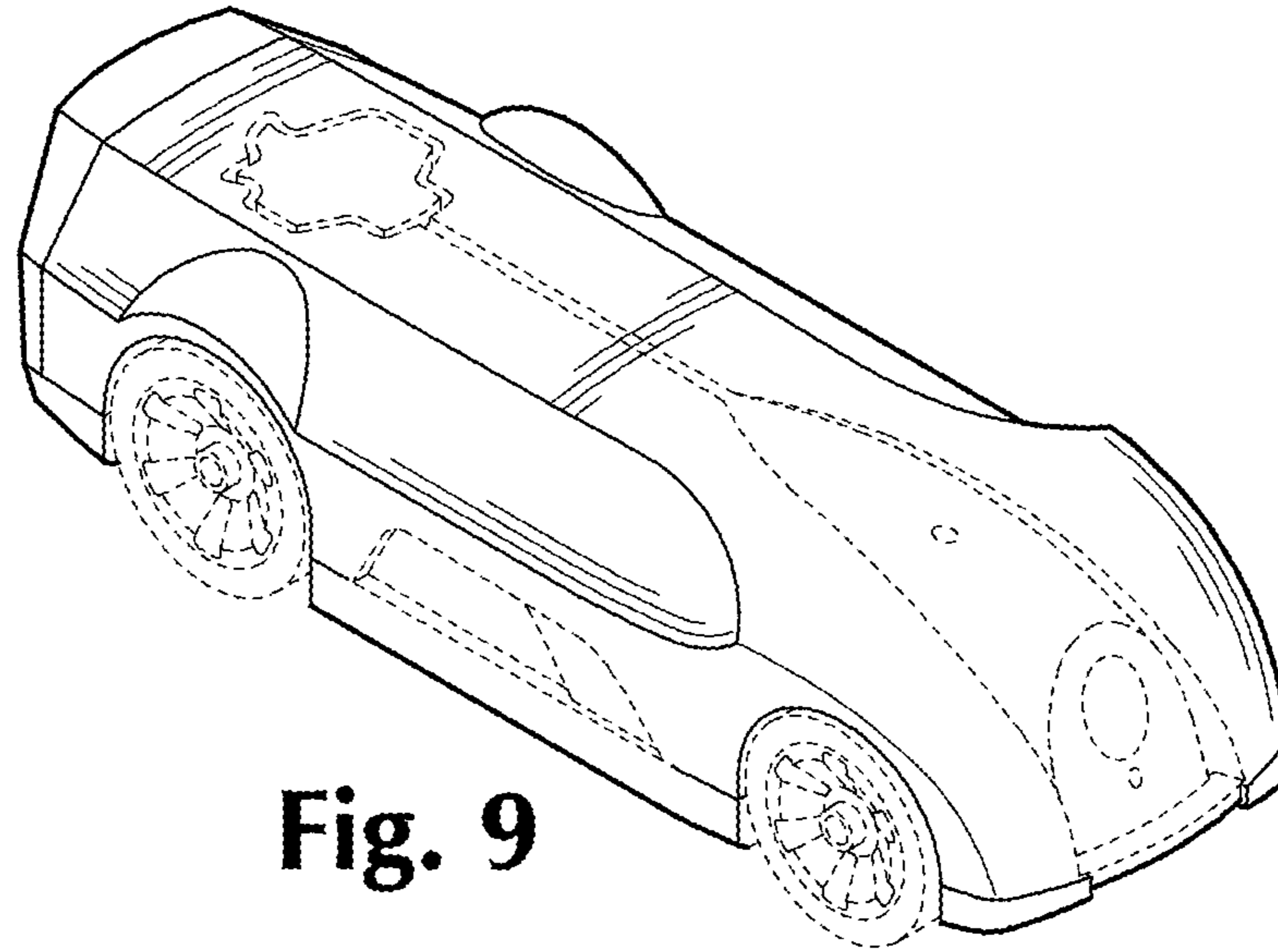


Fig. 9

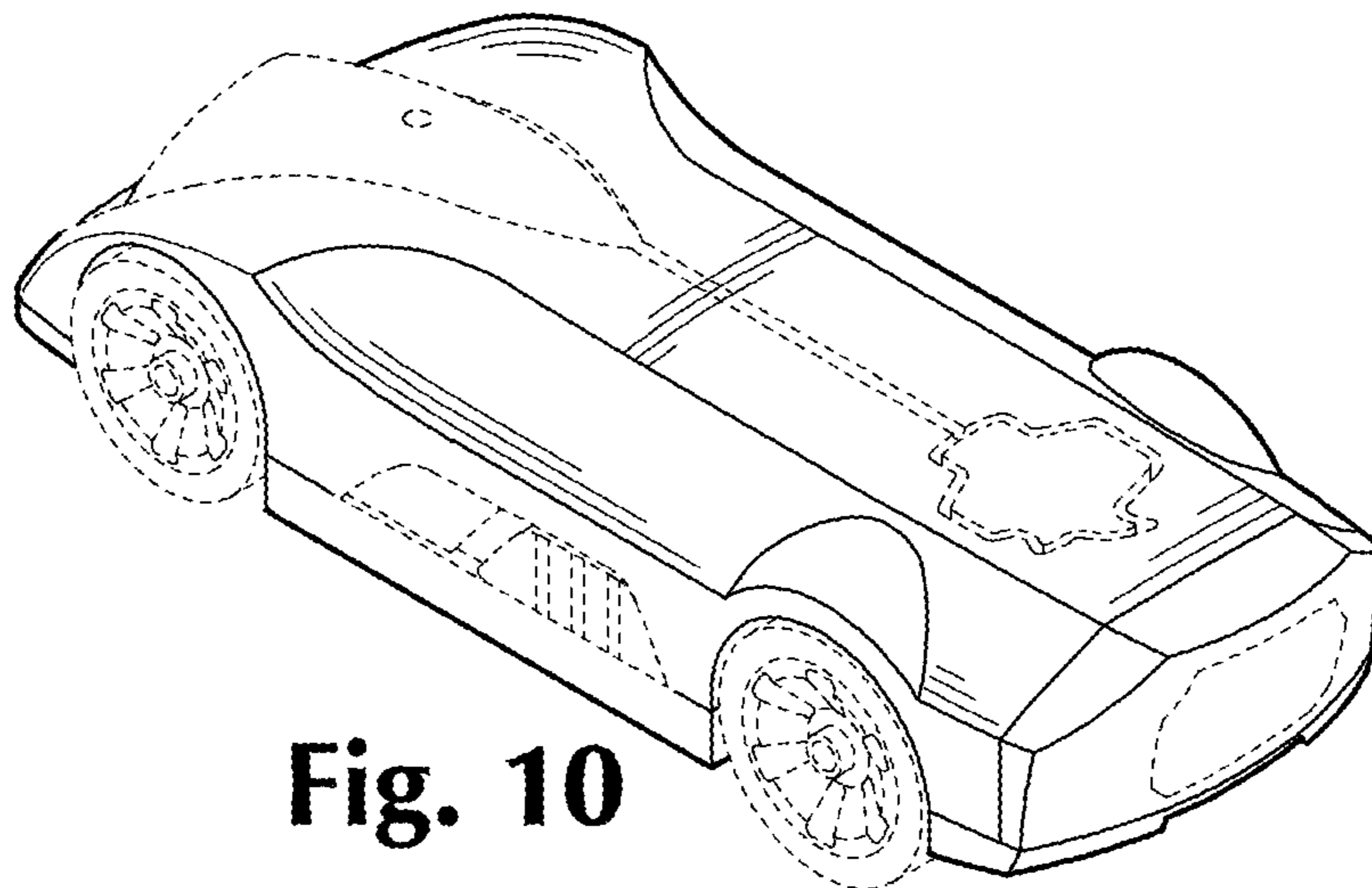


Fig. 10

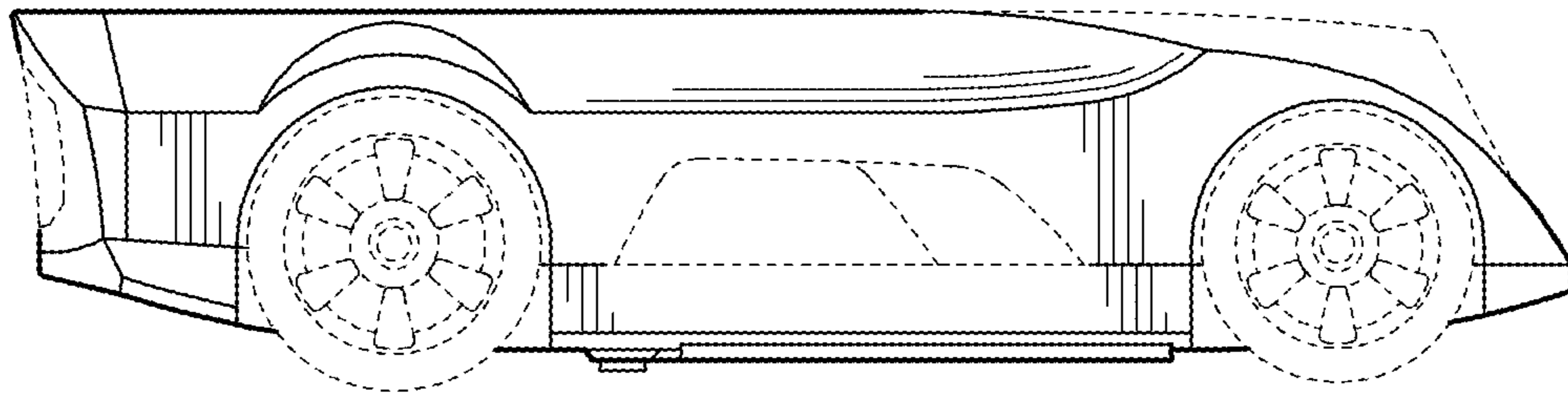


Fig. 11

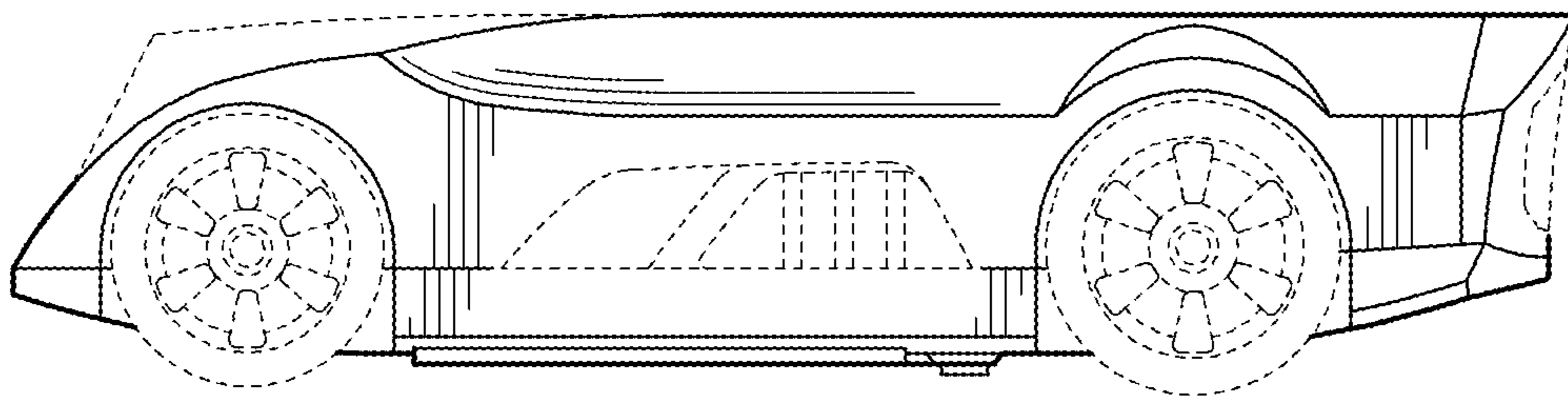


Fig. 12

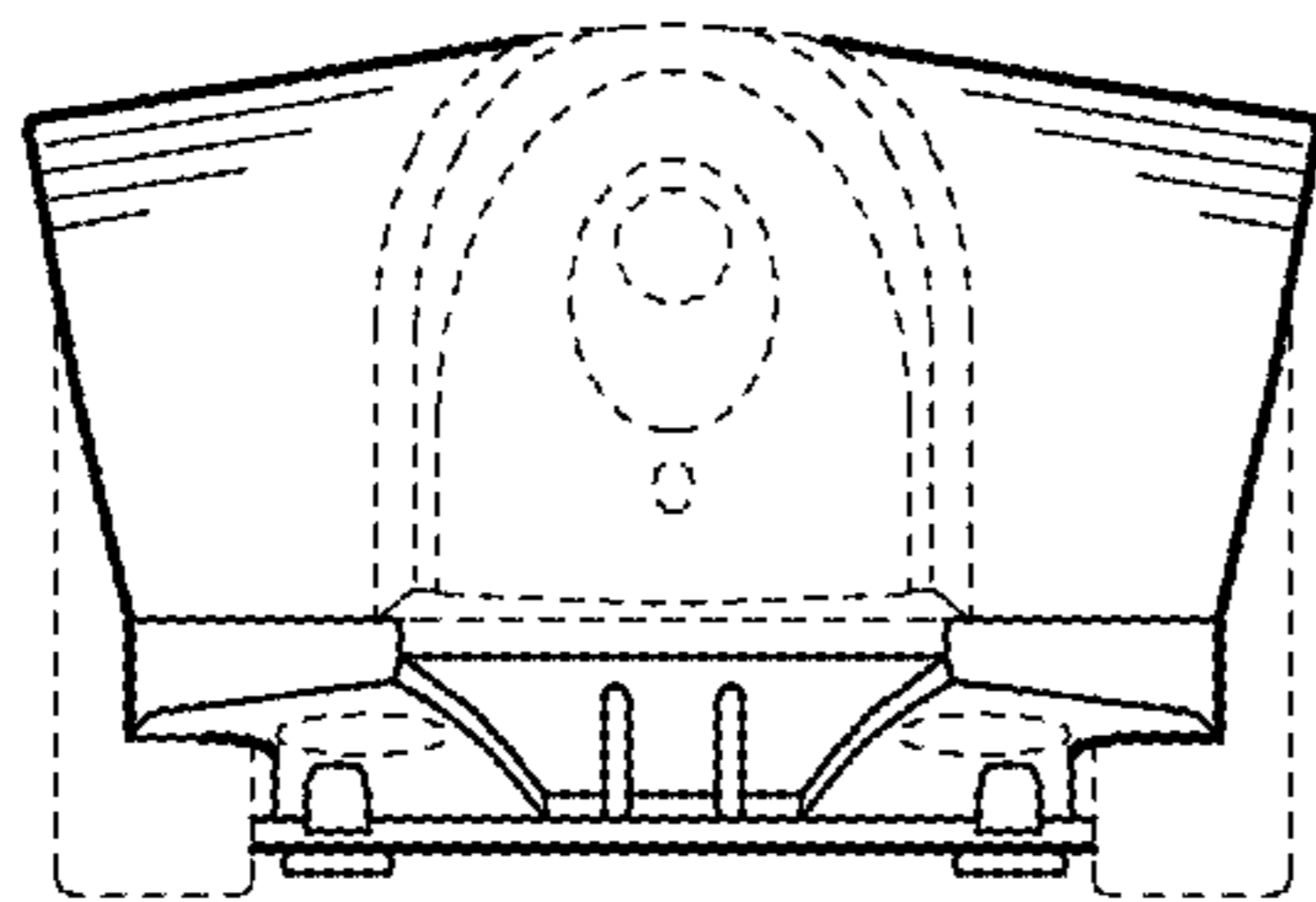


Fig. 13

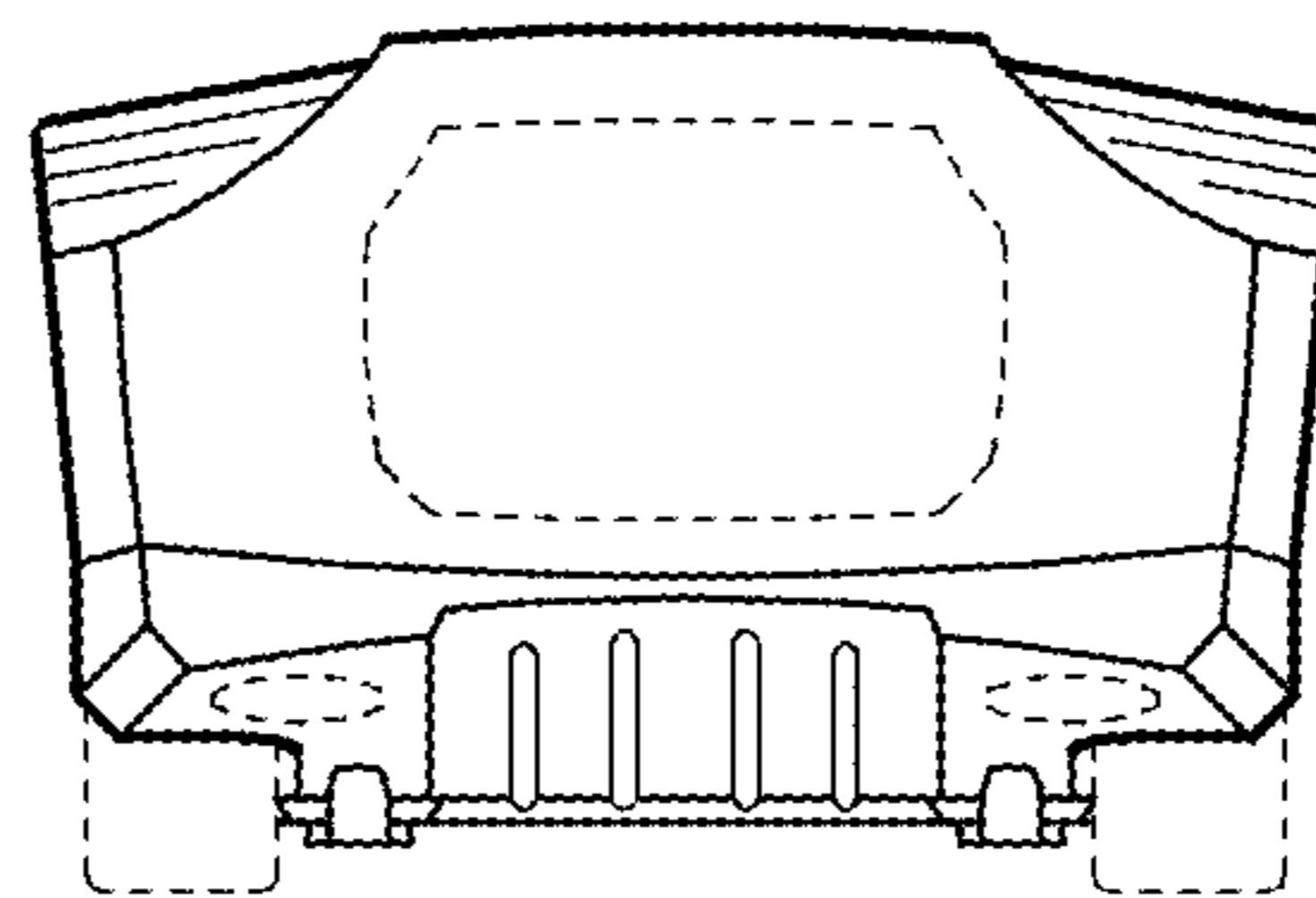


Fig. 14

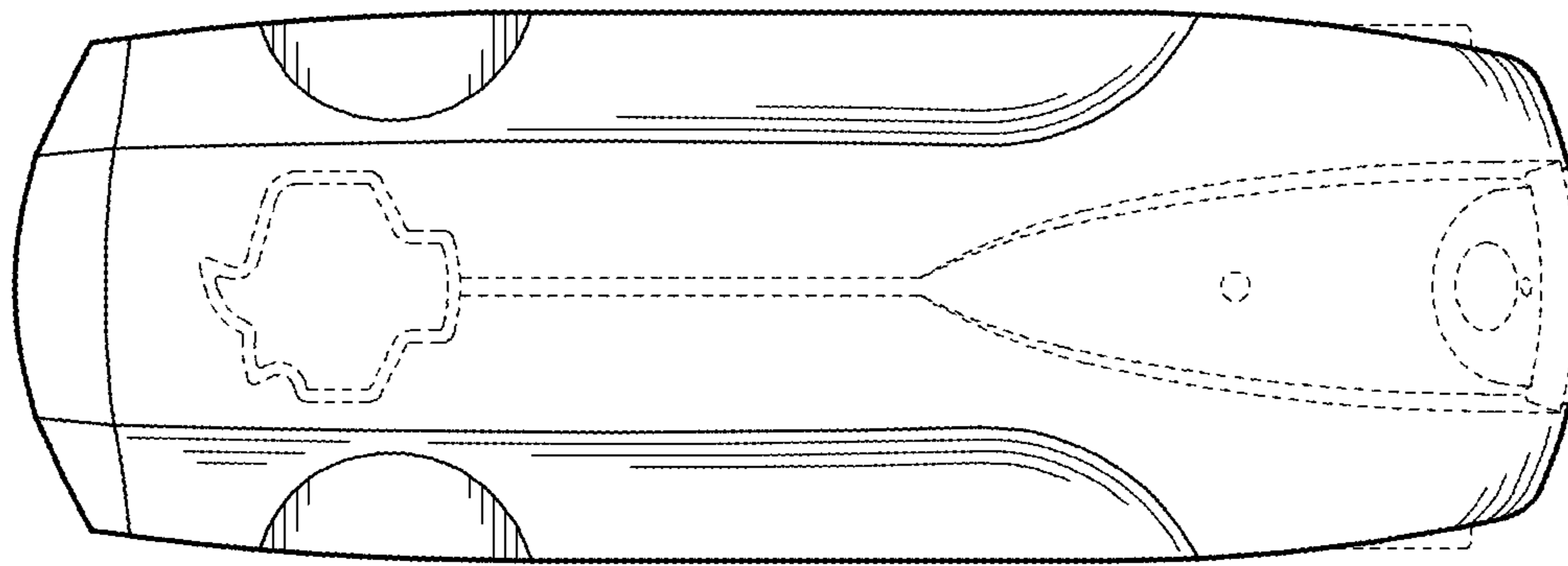


Fig. 15

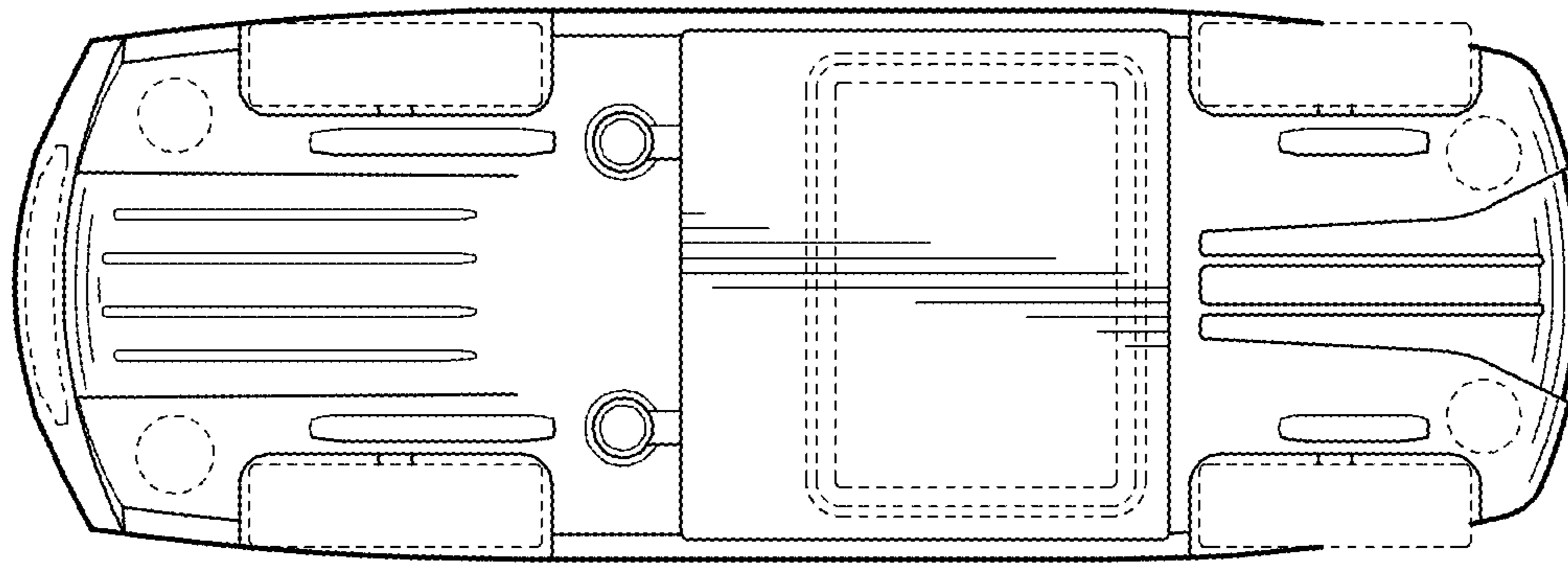


Fig. 16