



US00D681740S

(12) **United States Design Patent**  
**Hase et al.**

(10) **Patent No.:** **US D681,740 S**  
(45) **Date of Patent:** **\*\* May 7, 2013**

(54) **SIGNAGE DISPLAY**

(75) Inventors: **Masaki Hase**, Osaka (JP); **Tsuyoshi Shigeta**, Osaka (JP)

(73) Assignee: **Sanyo Electric Co., Ltd.**, Osaka (JP)

(\*\*) Term: **14 Years**

(21) Appl. No.: **29/416,521**

(22) Filed: **Mar. 23, 2012**

(30) **Foreign Application Priority Data**

Sep. 29, 2011 (JP) ..... 2011-022318

(51) **LOC (9) Cl.** ..... **20-03**

(52) **U.S. Cl.**  
USPC ..... **D20/42**

(58) **Field of Classification Search** ..... D20/10,  
D20/19, 29, 39, 41, 42, 99; 40/446, 538,  
40/539, 541, 542, 544, 548, 549, 553, 564,  
40/568, 575, 584-586, 588, 589, 617, 618;  
D14/126, 371, 374; 362/812  
See application file for complete search history.

(56) **References Cited**

U.S. PATENT DOCUMENTS

|                   |         |                   |       |         |
|-------------------|---------|-------------------|-------|---------|
| D191,779 S *      | 11/1961 | Boudouris         | ..... | D20/10  |
| D300,642 S *      | 4/1989  | Pawlik et al.     | ..... | D20/10  |
| D395,454 S *      | 6/1998  | Hayashi           | ..... | D20/10  |
| D424,538 S *      | 5/2000  | Hayashi et al.    | ..... | D14/374 |
| D430,901 S *      | 9/2000  | Palmer            | ..... | D20/10  |
| D432,103 S *      | 10/2000 | Mitsubishi et al. | ..... | D14/126 |
| D608,315 S *      | 1/2010  | Mitsubishi        | ..... | D14/126 |
| D624,598 S *      | 9/2010  | Chida et al.      | ..... | D20/43  |
| D637,651 S *      | 5/2011  | Hase et al.       | ..... | D20/42  |
| D664,211 S *      | 7/2012  | Hase et al.       | ..... | D20/42  |
| 2006/0070280 A1 * | 4/2006  | Yamamura et al.   | ..... | 40/564  |

FOREIGN PATENT DOCUMENTS

|    |            |         |
|----|------------|---------|
| JP | D1085756 S | 9/2000  |
| JP | D1302970 S | 6/2007  |
| JP | D1307438 S | 8/2007  |
| JP | D1318779 S | 1/2008  |
| JP | D1318780 S | 1/2008  |
| JP | D1324543 S | 3/2008  |
| JP | D1332406 S | 6/2008  |
| JP | D1338168 S | 8/2008  |
| JP | D1339183 S | 9/2008  |
| JP | D1357663 S | 4/2009  |
| JP | D1375580 S | 12/2009 |
| JP | D1378589 S | 2/2010  |
| JP | D1384972 S | 4/2010  |
| JP | D1384974 S | 4/2010  |
| JP | D1385724 S | 4/2010  |
| JP | D1418451 S | 7/2011  |

\* cited by examiner

*Primary Examiner* — Mary Ann Calabrese

(74) *Attorney, Agent, or Firm* — McDermott Will & Emery LLP

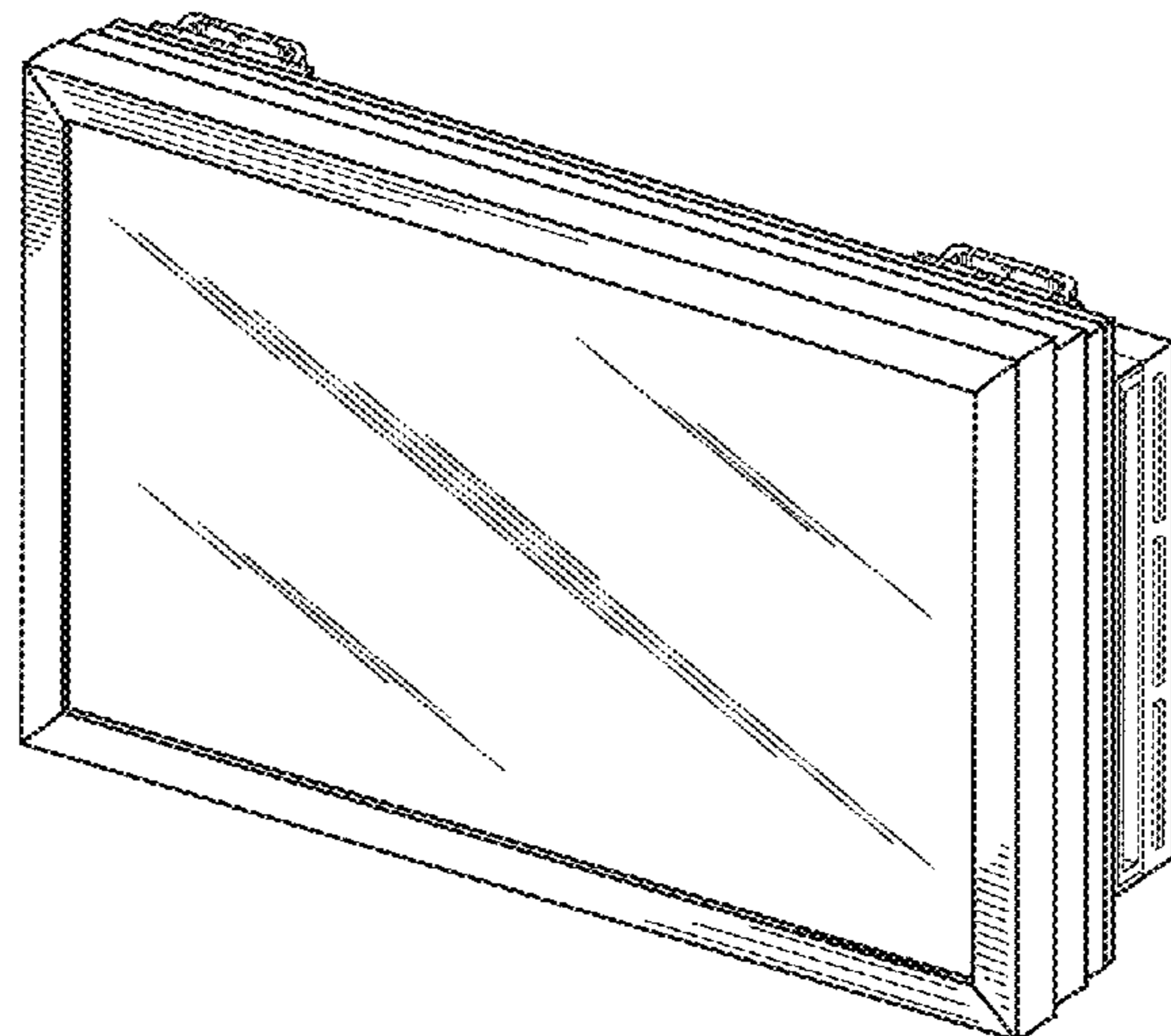
(57) **CLAIM**

The ornamental design for a signage display, as shown and described.

**DESCRIPTION**

FIG. 1 is a front, top, right-side perspective view thereof;  
FIG. 2 is a rear, top, left-side perspective view thereof;  
FIG. 3 is a front elevation view thereof;  
FIG. 4 is a top plan view thereof;  
FIG. 5 is a bottom plan view thereof;  
FIG. 6 is a left-side elevation view thereof;  
FIG. 7 is a right-side elevation view thereof; and,  
FIG. 8 is a rear elevation view thereof.

**1 Claim, 3 Drawing Sheets**



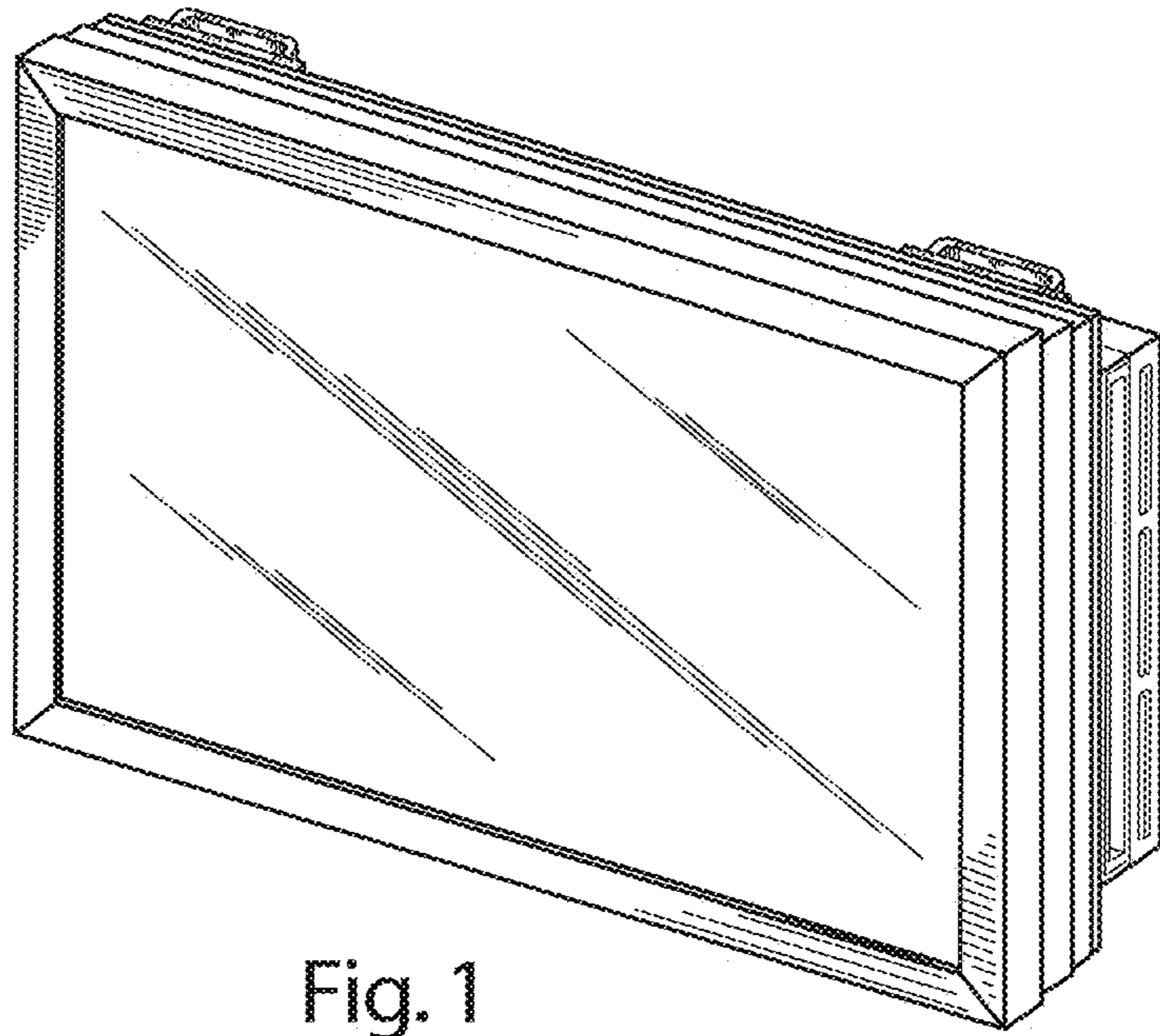


Fig. 1

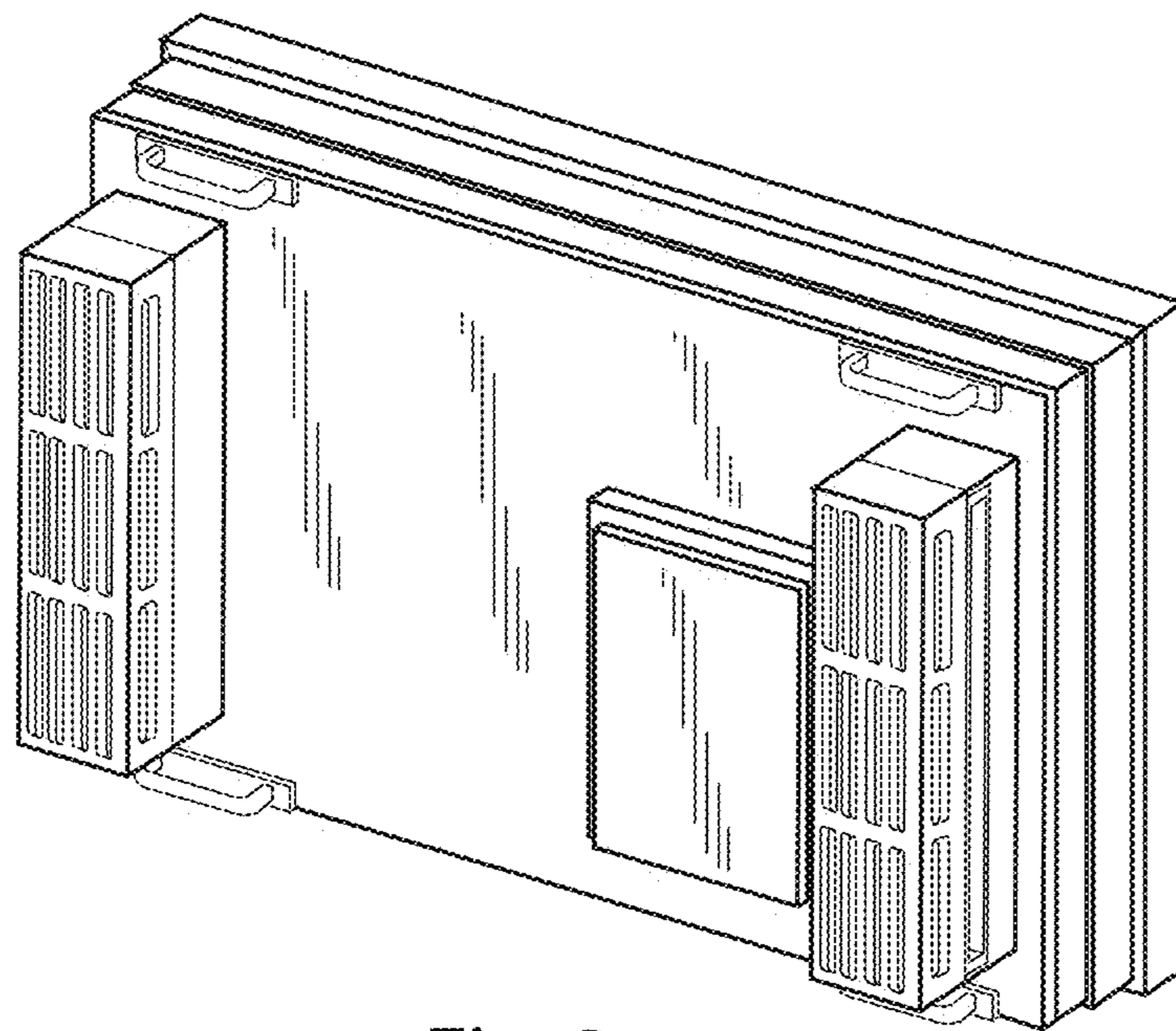


Fig. 2

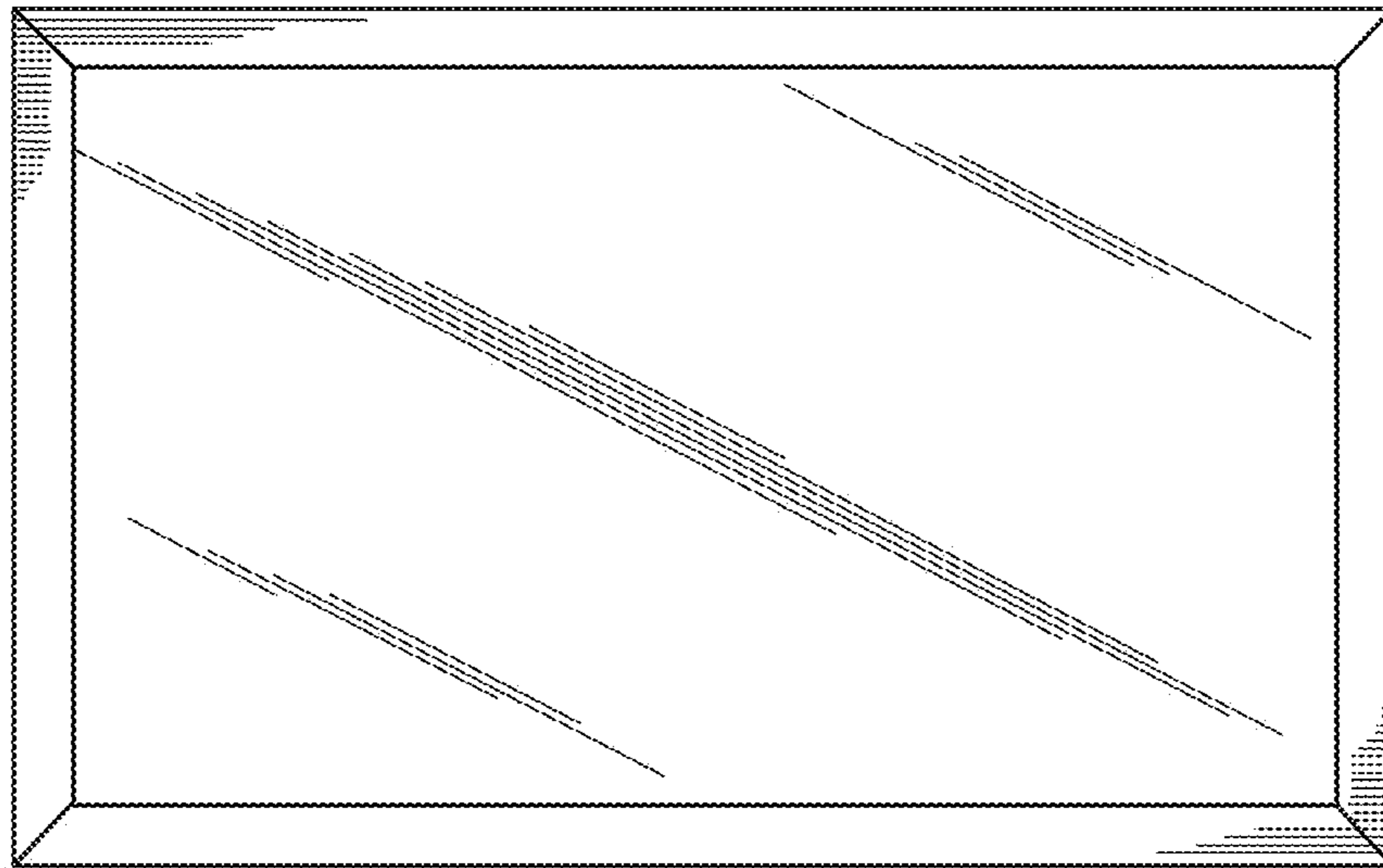


Fig. 3

Fig. 4

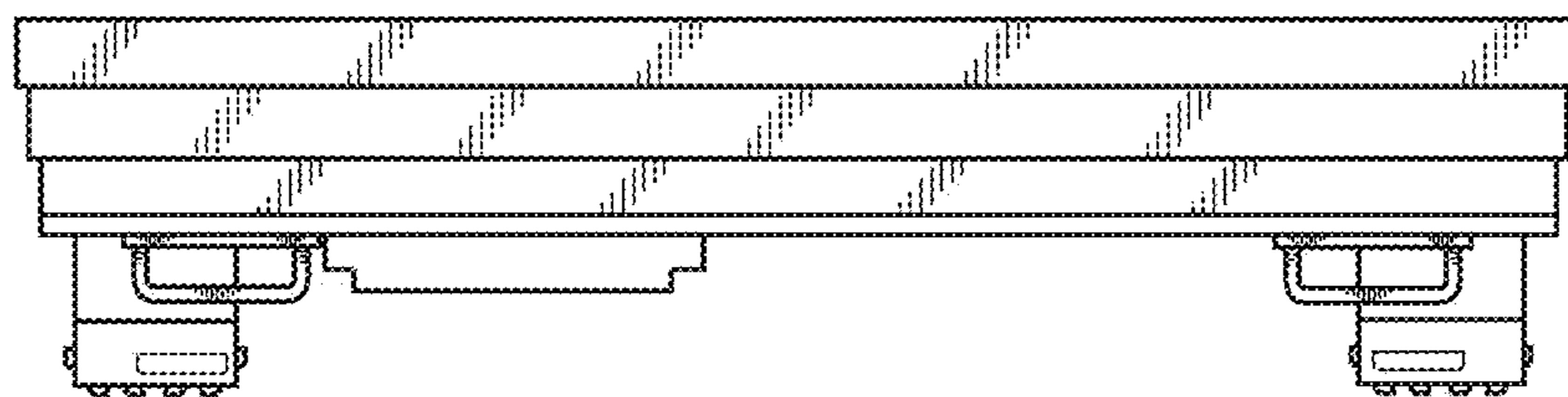


Fig. 5



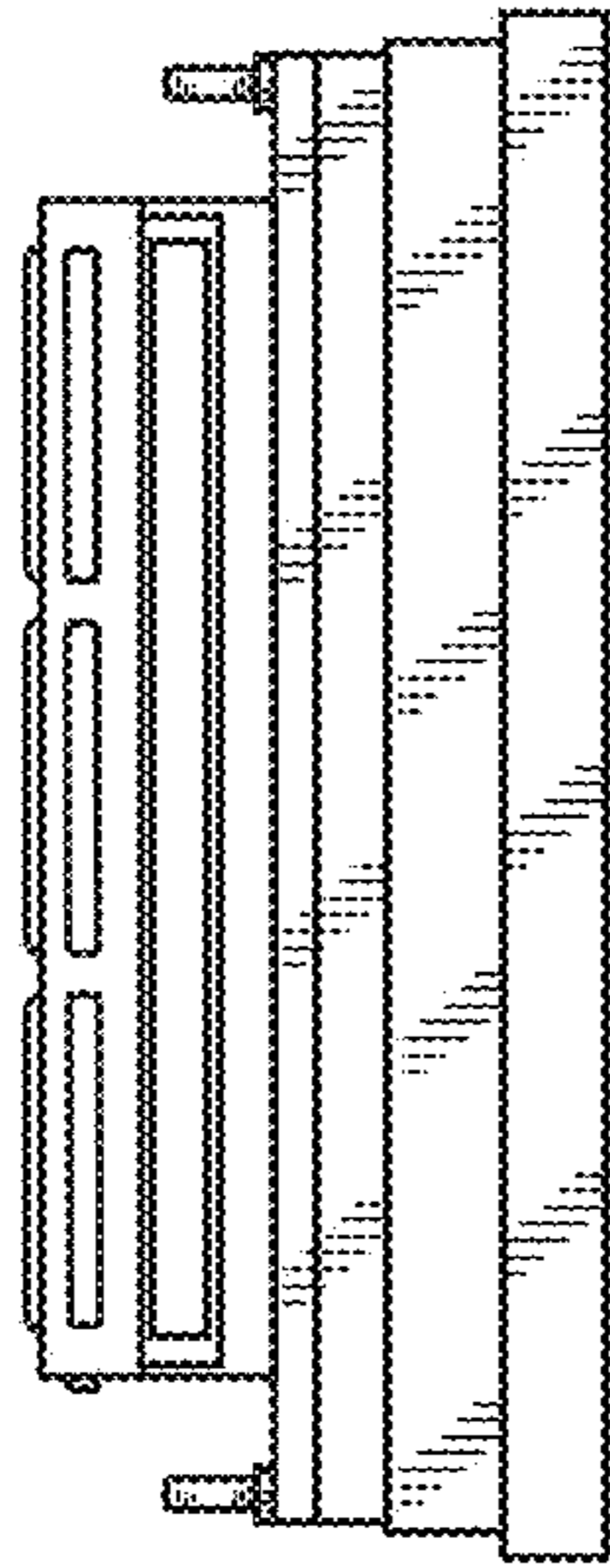


Fig. 6

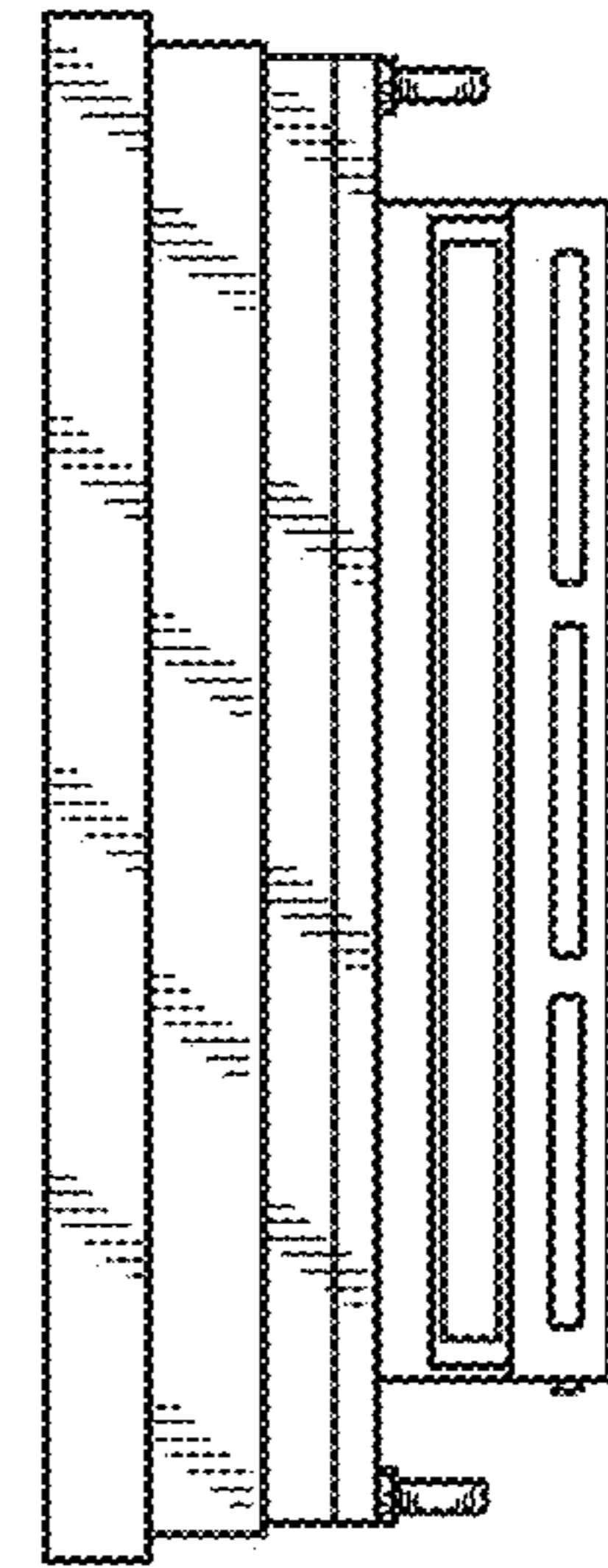


Fig. 7

Fig. 8

