



US00D681739S

(12) **United States Design Patent**  
**Richmond**

(10) **Patent No.:** **US D681,739 S**  
(45) **Date of Patent:** **\*\* May 7, 2013**

(54) **LOW PROFILE BACKLIT GRAPHIC  
DISPLAY DEVICE**

(75) Inventor: **Mark Richmond**, Deerfield, IL (US)

(73) Assignee: **Powerdecals LLC**, Lincolnwood, IL  
(US)

(\*\*) Term: **14 Years**

(21) Appl. No.: **29/395,916**

(22) Filed: **Apr. 20, 2012**

(51) **LOC (9) Cl.** ..... **20-03**

(52) **U.S. Cl.**  
USPC ..... **D20/42**

(58) **Field of Classification Search** ..... D20/10,  
D20/17-19, 29, 39, 41-44, 99; 40/446, 448,  
40/538, 541, 542, 544, 546, 564, 568, 574,  
40/577, 584, 585, 588, 591, 600, 607.13,  
40/612, 616, 617, 642.02, 700; D6/300;  
D10/109.1, 109.2; 362/812

See application file for complete search history.

(56) **References Cited**

U.S. PATENT DOCUMENTS

737,129	A *	8/1903	Murray	.....	40/541
1,372,225	A *	3/1921	Gray	.....	40/659
D363,248	S *	10/1995	Bogacki, III	.....	D10/109.1
5,620,274	A *	4/1997	Wear	.....	403/171
D460,865	S *	7/2002	Keller	.....	D6/302

D479,561	S *	9/2003	Meyer	.....	D20/22
7,966,756	B1 *	6/2011	Stafford	.....	40/544
D656,994	S *	4/2012	Podd	.....	D20/42
D657,424	S *	4/2012	Podd	.....	D20/42
D660,370	S *	5/2012	Podd	.....	D20/42
D660,913	S *	5/2012	Podd	.....	D20/42
D661,745	S *	6/2012	Podd	.....	D20/42
D665,030	S *	8/2012	Podd	.....	D20/42
2007/0214691	A1 *	9/2007	Olsen	.....	40/300
2012/0047784	A1 *	3/2012	St. Denis	.....	40/607.13

\* cited by examiner

*Primary Examiner* — Mary Ann Calabrese

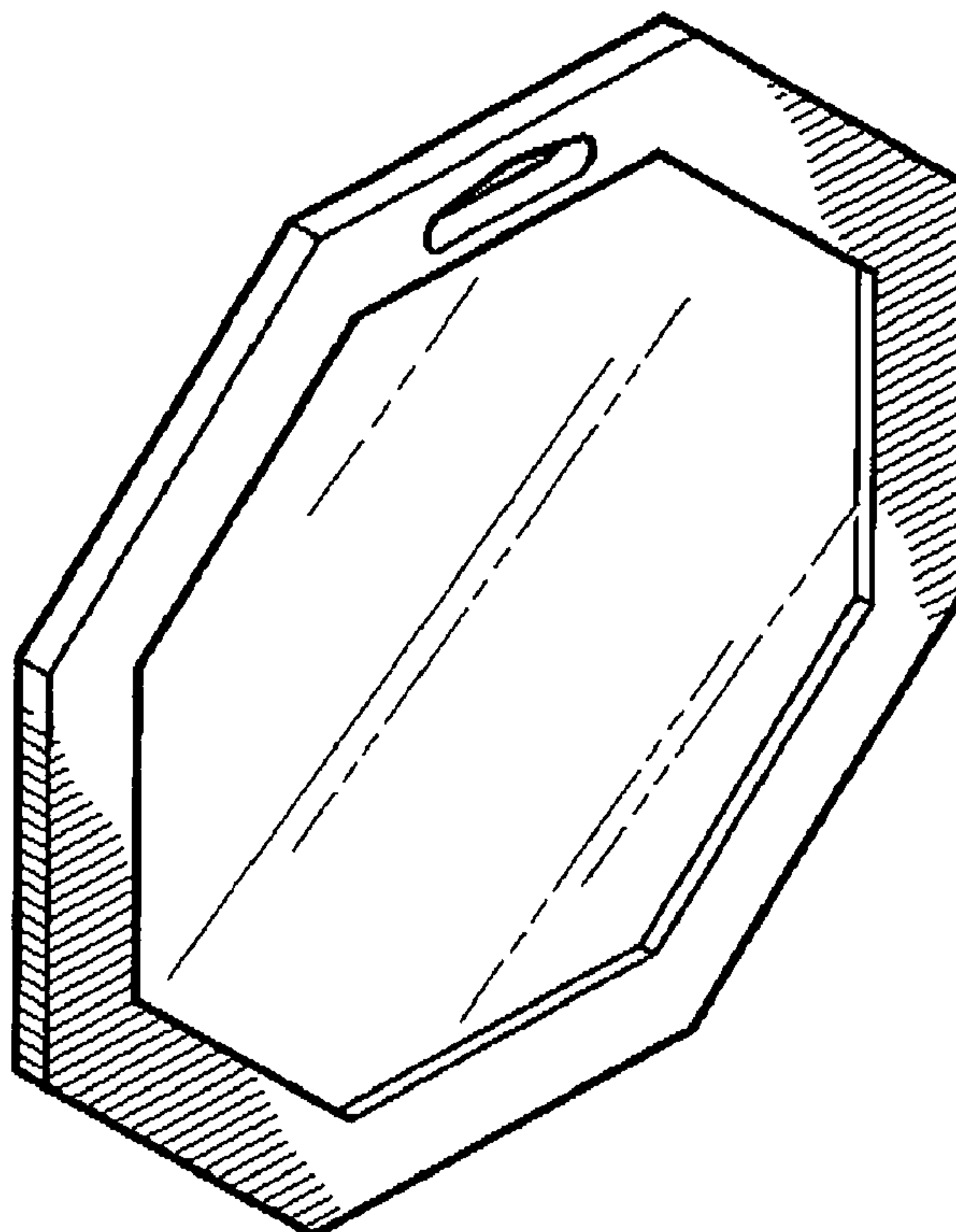
(57) **CLAIM**

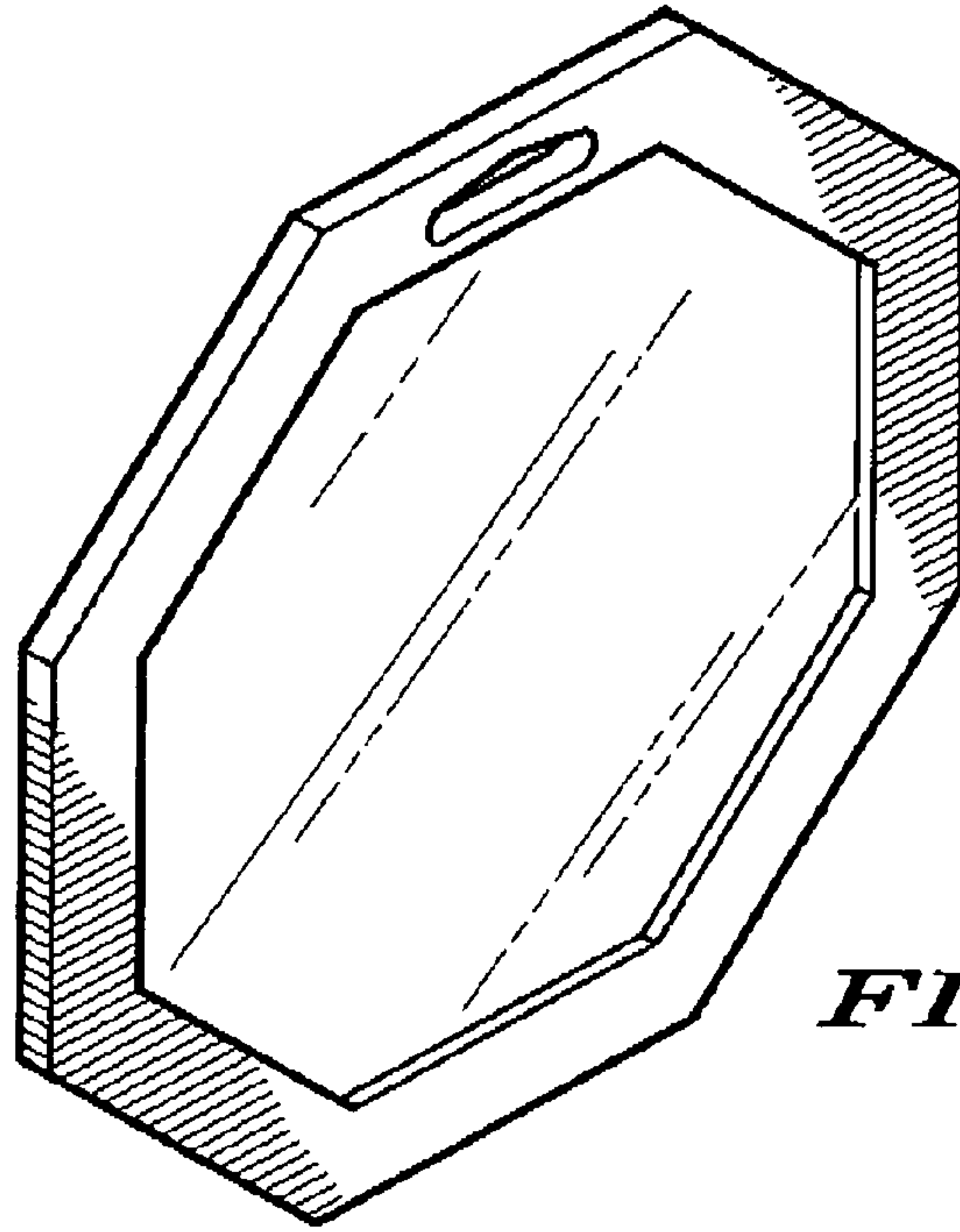
The ornamental design for the low profile backlit graphic display device, as shown and described.

**DESCRIPTION**

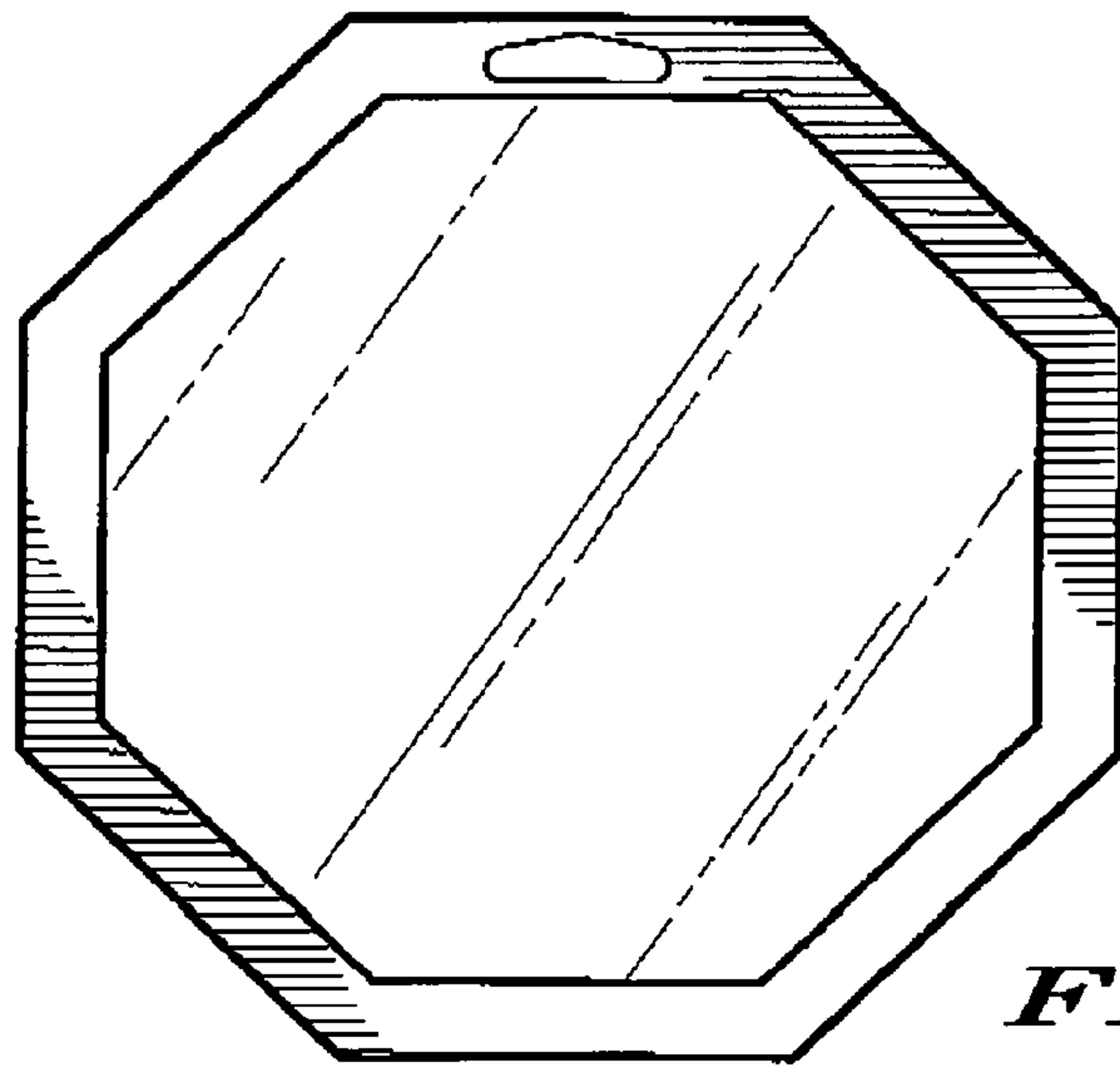
FIG. 1 is a frontal perspective view of the low profile backlit graphic display device;  
 FIG. 2 is a front view of the low profile backlit graphic display device;  
 FIG. 3 is a back view of the low profile backlit graphic display device;  
 FIG. 4 is a top edge view of the low profile backlit graphic display device;  
 FIG. 5 is a first lateral edge view of the low profile backlit graphic display device;  
 FIG. 6 is a bottom edge view of the low profile backlit graphic display device; and,  
 FIG. 7 is a second lateral edge view of the low profile backlit graphic display device.

**1 Claim, 2 Drawing Sheets**





*FIG. 1*



*FIG. 2*

FIG. 4

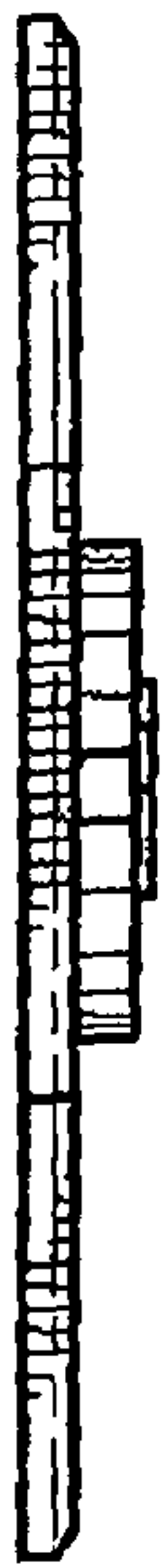


FIG. 3

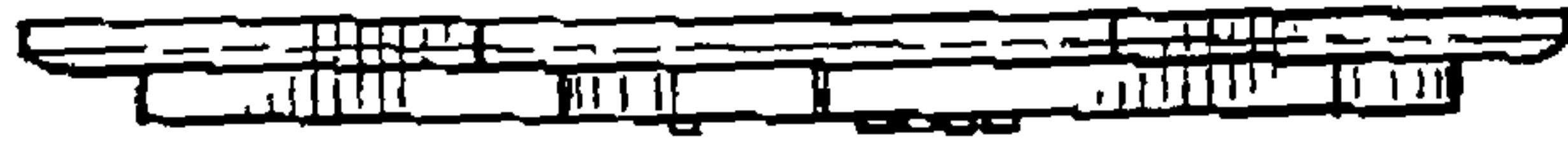
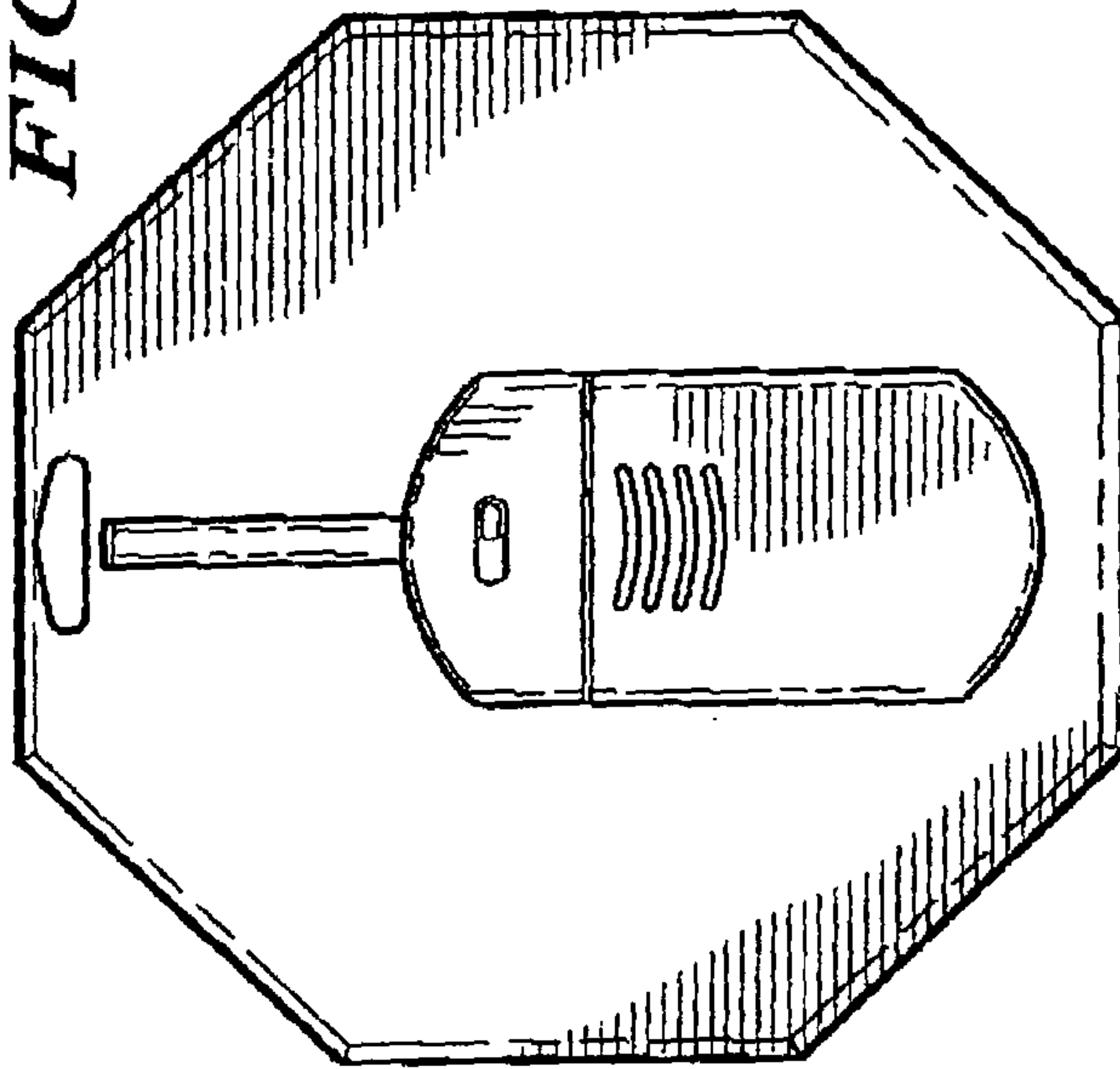


FIG. 5



FIG. 6



FIG. 7