



US00D681737S

(12) **United States Design Patent**
Bengyak

(10) **Patent No.:** **US D681,737 S**

(45) **Date of Patent:** **** May 7, 2013**

(54) **HAND SIGN**

Primary Examiner — Mary Ann Calabrese

(76) Inventor: **Christopher Edward Bengyak**, Vero Beach, FL (US)

(57) **CLAIM**

The ornamental design for a hand sign, as shown and described.

(**) Term: **14 Years**

(21) Appl. No.: **29/421,249**

(22) Filed: **Jun. 19, 2012**

DESCRIPTION

Related U.S. Application Data

(63) Continuation-in-part of application No. 29/374,166, filed on Jul. 11, 2011, now Pat. No. Des. 664,209.

(51) **LOC (9) Cl.** **20-03**

(52) **U.S. Cl.**
USPC **D20/30; D20/33**

(58) **Field of Classification Search** D20/10,
D20/19, 29-33, 35, 36, 99; 40/446, 538,
40/541, 584, 586; D2/615; D10/109.1, 109.2;
D11/131, 158, 159; D21/400, 614, 652
See application file for complete search history.

FIG. 1 is a right-side elevational view of a first embodiment of a left-hand hand sign according to the invention;
FIG. 2 is a left-side elevational view of the left-hand hand sign of FIG. 1;
FIG. 3 is a reduced scale rear elevational view of the left-hand hand sign of FIG. 1;
FIG. 4 is a reduced scale top plan view of the left-hand hand sign of FIG. 1;
FIG. 5 is a reduced scale bottom plan view of the left-hand hand sign of FIG. 1;
FIG. 6 is a reduced scale front elevational view of the left-hand hand sign of FIG. 1;
FIG. 7 is a perspective view from below the front of the left side of the left-hand hand sign of FIG. 2;
FIG. 8 is a perspective view from above the rear of the left side of the left-hand hand sign of FIG. 2;
FIG. 9 is a left-side elevational view of a second embodiment of a right-hand hand sign according to the invention;
FIG. 10 is a right-side elevational view of the right-hand hand sign of FIG. 9;
FIG. 11 is a reduced scale front elevational view of the right-hand hand sign of FIG. 9;
FIG. 12 is a reduced scale top plan view of the right-hand hand sign of FIG. 9;
FIG. 13 is a reduced scale bottom plan view of the right-hand hand sign of FIG. 9;
FIG. 14 is a reduced scale rear elevational view of the right-hand hand sign of FIG. 9;
FIG. 15 is a perspective view from below the front of the right side of the right-hand hand sign of FIG. 10;
FIG. 16 is a perspective view from above the rear of the right side of the right-hand hand sign of FIG. 10;
FIG. 17 is a right-side elevational view of a third embodiment of a left-hand hand sign according to the invention;
FIG. 18 is a left-side elevational view of the left-hand hand sign of FIG. 17;

(56) **References Cited**

U.S. PATENT DOCUMENTS

D164,567 S *	9/1951	Gosselin	D20/32
D194,142 S *	11/1962	Kasser	D20/30
D360,653 S *	7/1995	McKee	D20/33
D429,285 S *	8/2000	Schini	D20/32
D617,528 S *	6/2010	Bengyak	D2/615
D618,430 S *	6/2010	Bengyak	D2/615
D633,945 S *	3/2011	Scott	D20/33
D633,946 S *	3/2011	Scott	D20/33
D641,791 S *	7/2011	Scott	D20/33
8,141,281 B2 *	3/2012	Sample et al.	40/586
D664,209 S *	7/2012	Bengyak	D20/30
D664,597 S *	7/2012	Bengyak	D20/29
D664,598 S *	7/2012	Bengyak	D20/30

OTHER PUBLICATIONS

Silhouette of the head of a longhorn steer—Trademark Registration No. 3553699, Dec. 30, 2008 Board of Regents, The University of Texas System State Agency Texas.*

* cited by examiner

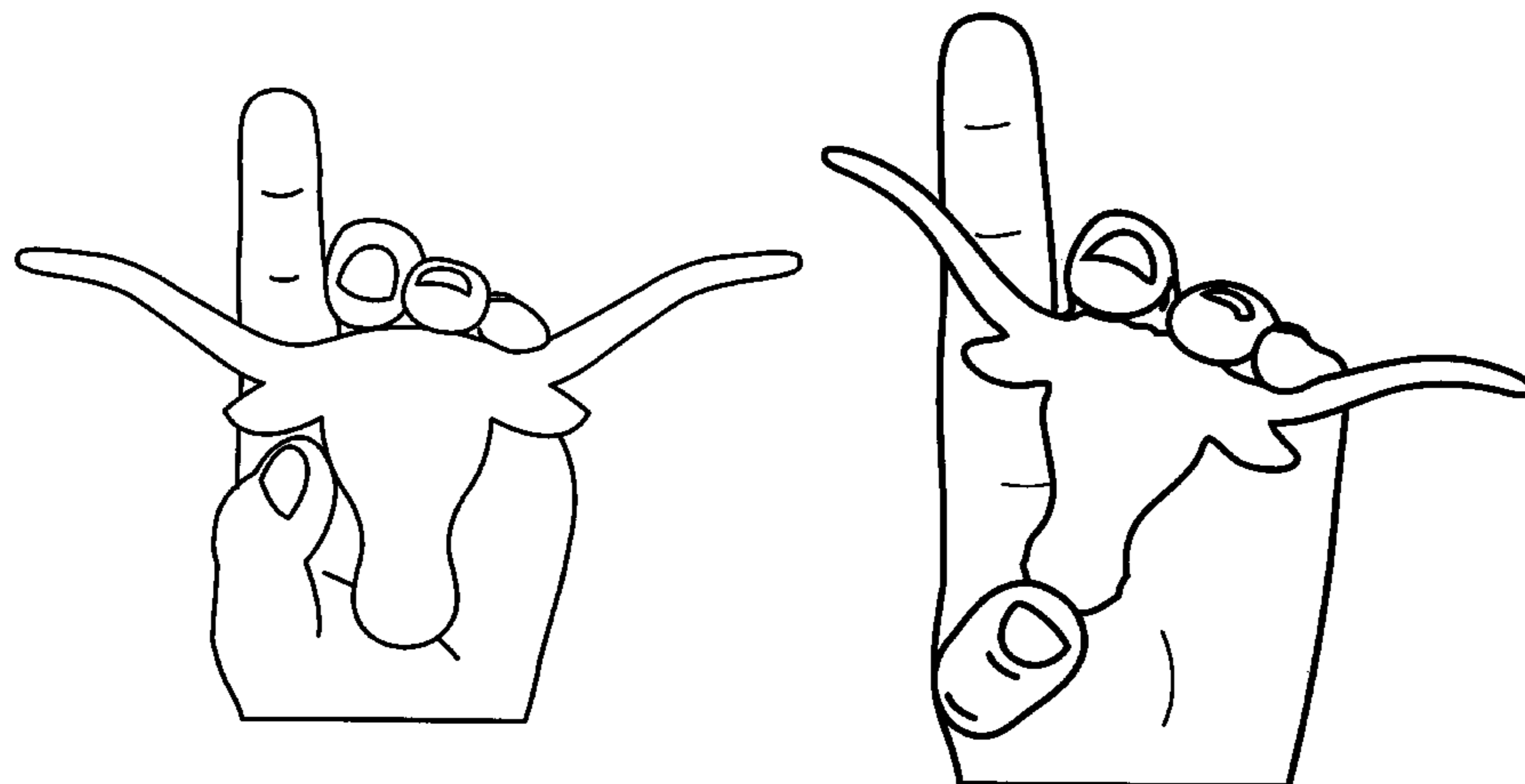


FIG. 19 is a reduced scale rear elevational view of the left-hand hand sign of FIG. 17;

FIG. 20 is a reduced scale top plan view of the left-hand hand sign of FIG. 17;

FIG. 21 is a reduced scale bottom plan view of the left-hand hand sign of FIG. 17;

FIG. 22 is a reduced scale front elevational view of the left-hand hand sign of FIG. 17;

FIG. 23 is a perspective view from below the front of the right side of the left-hand hand sign of FIG. 17;

FIG. 24 is a perspective view from above the rear of the right side of the left-hand hand sign of FIG. 17;

FIG. 25 is a left-side elevational view of a fourth embodiment of a right-hand hand sign according to the invention;

FIG. 26 is a right-side elevational view of the right-hand hand sign of FIG. 25;

FIG. 27 is a reduced scale front elevational view of the right-hand hand sign of FIG. 25;

FIG. 28 is a reduced scale top plan view of the right-hand hand sign of FIG. 25;

FIG. 29 is a reduced scale bottom plan view of the right-hand hand sign of FIG. 25;

FIG. 30 is a reduced scale rear elevational view of the right-hand hand sign of FIG. 25;

FIG. 31 is a perspective view from above the rear of the left side of the right-hand hand sign of FIG. 25; and,

FIG. 32 is a perspective view from below the front of the left side of the right-hand hand sign of FIG. 25.

The Silhouette of the head of the longhorn steer forming part of the claimed design is a registered trademark. The owner of the trademark is Registrant Board of Regents, The University of Texas System STATE AGENCY TEXAS 201 West 7th Street Austin Tex. 78701.

1 Claim, 20 Drawing Sheets

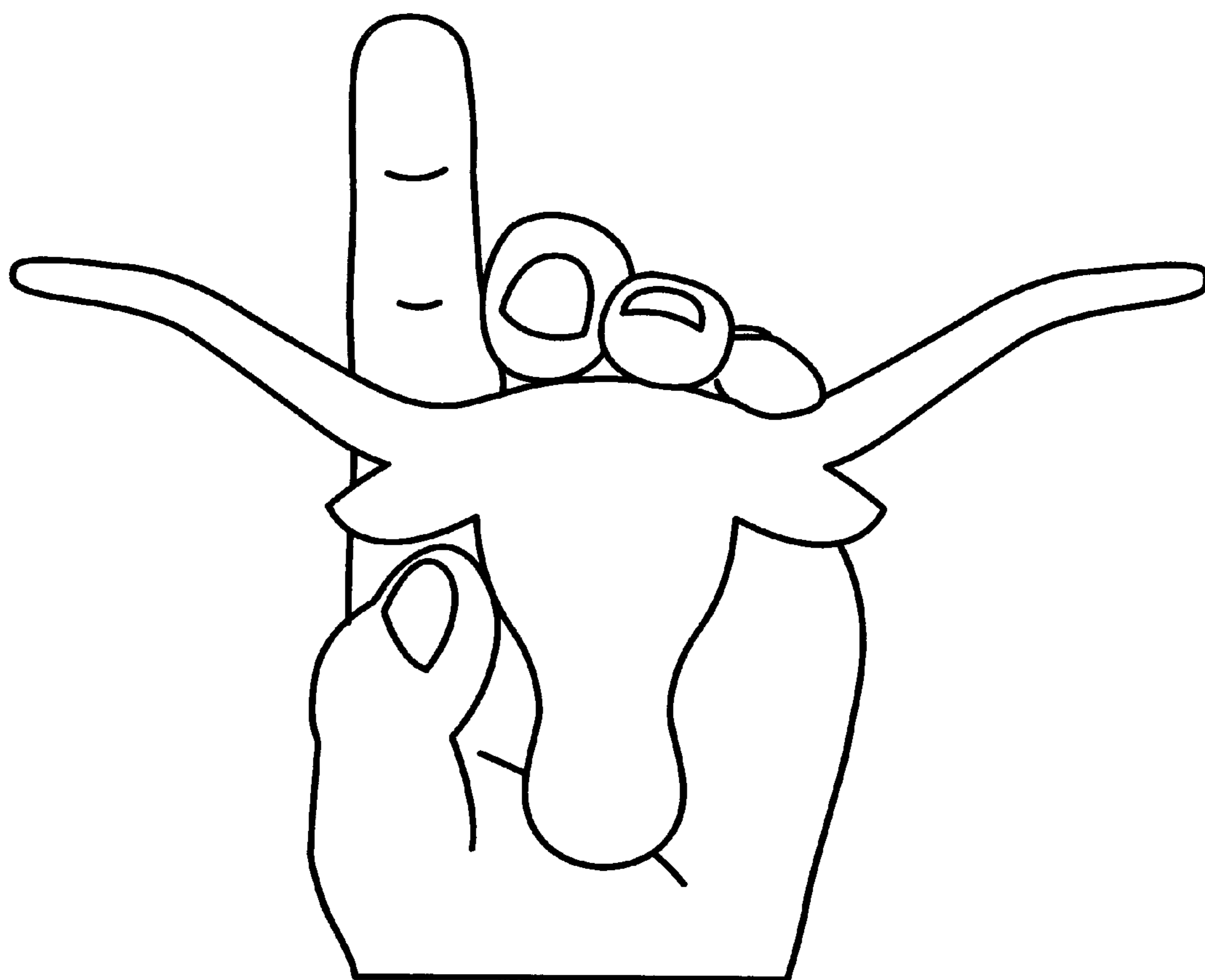


FIG. 1

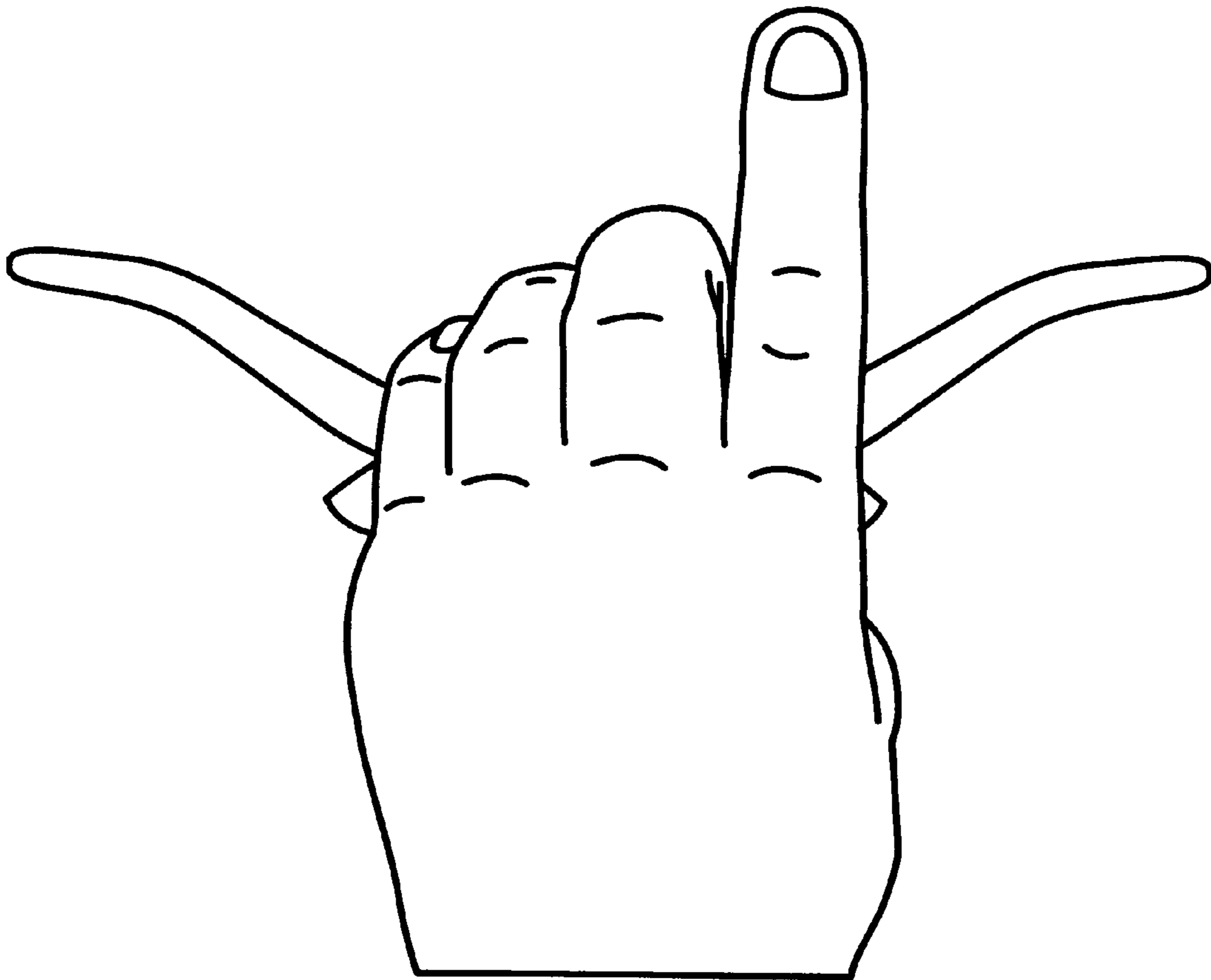


FIG. 2

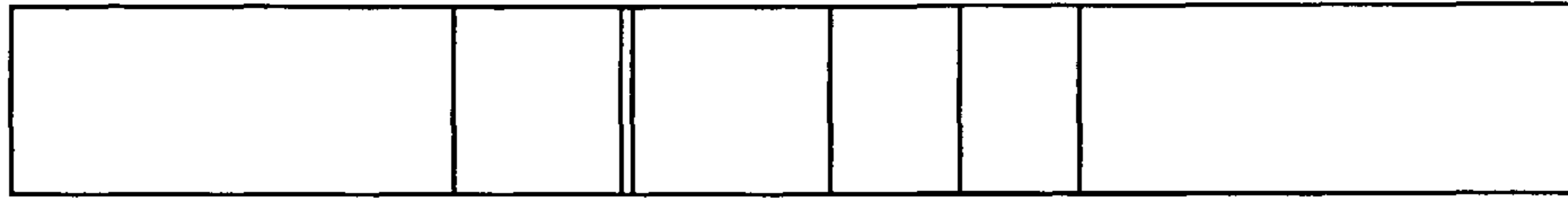


FIG. 4



FIG. 3



FIG. 6

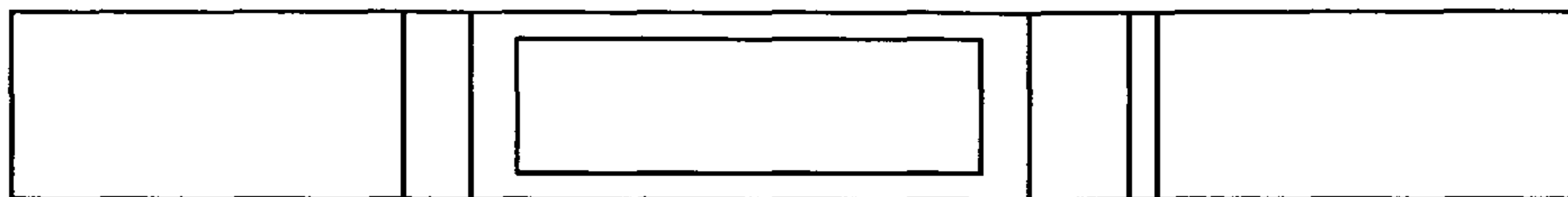


FIG. 5

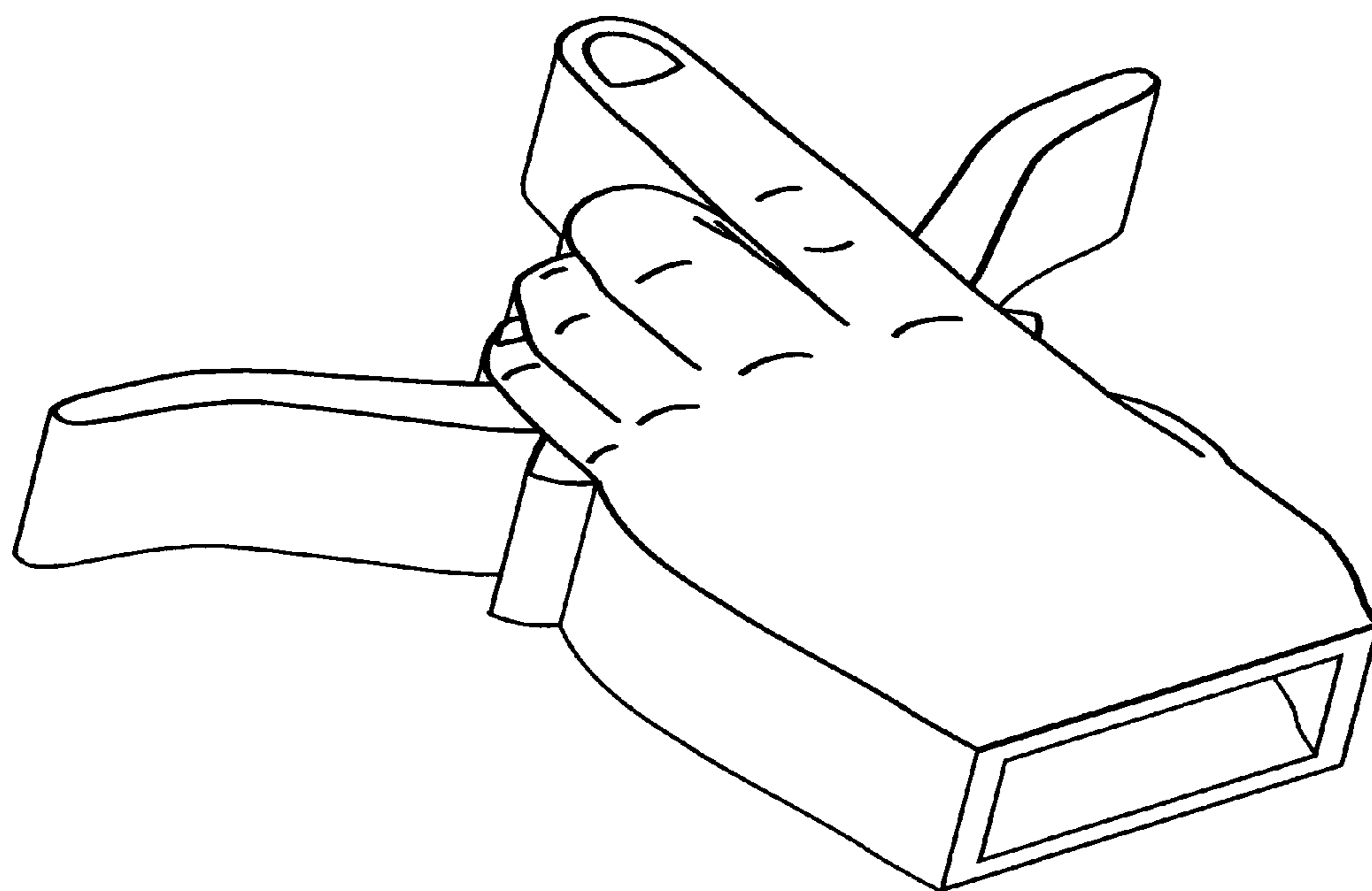


FIG. 7

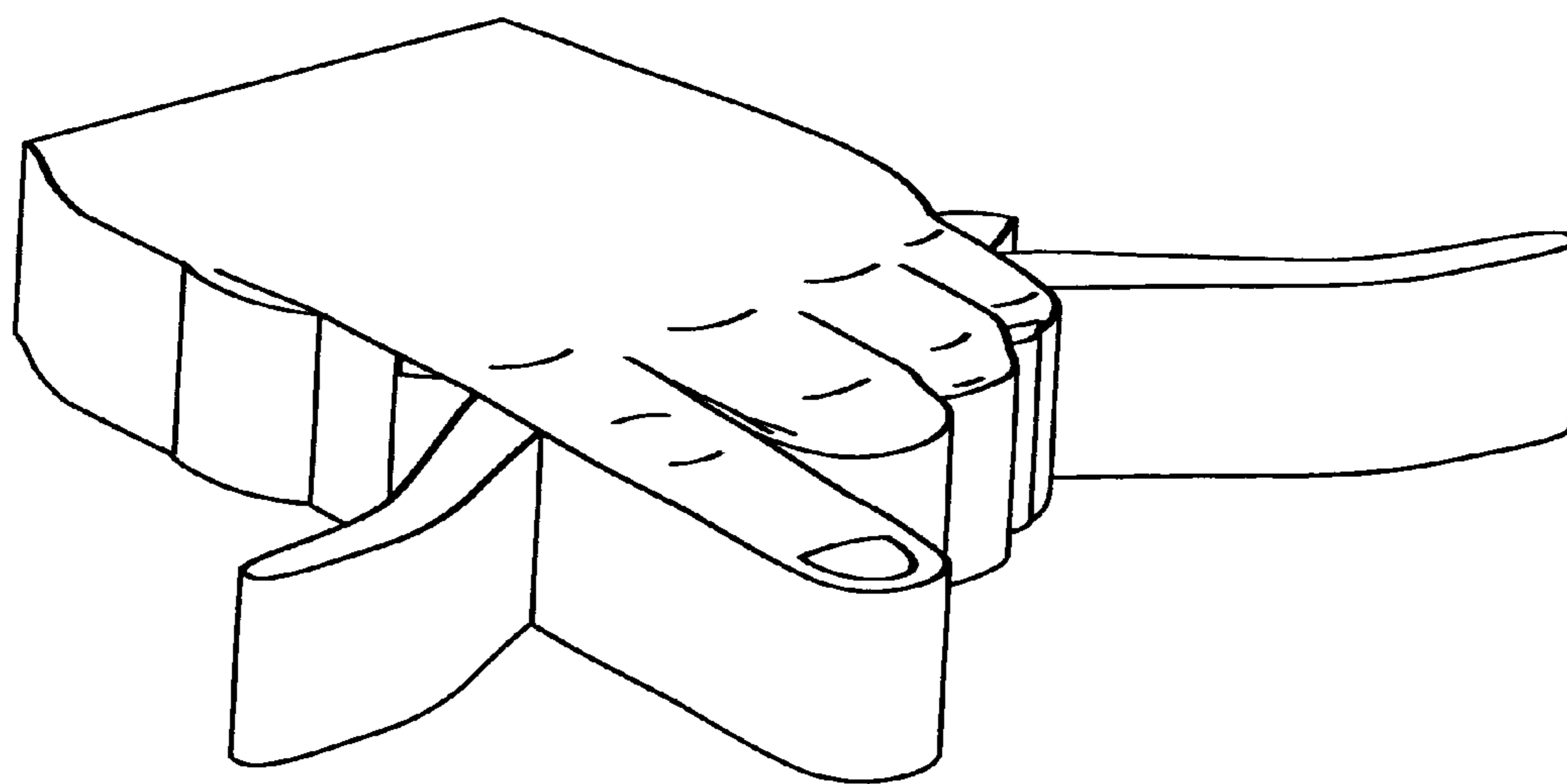


FIG. 8

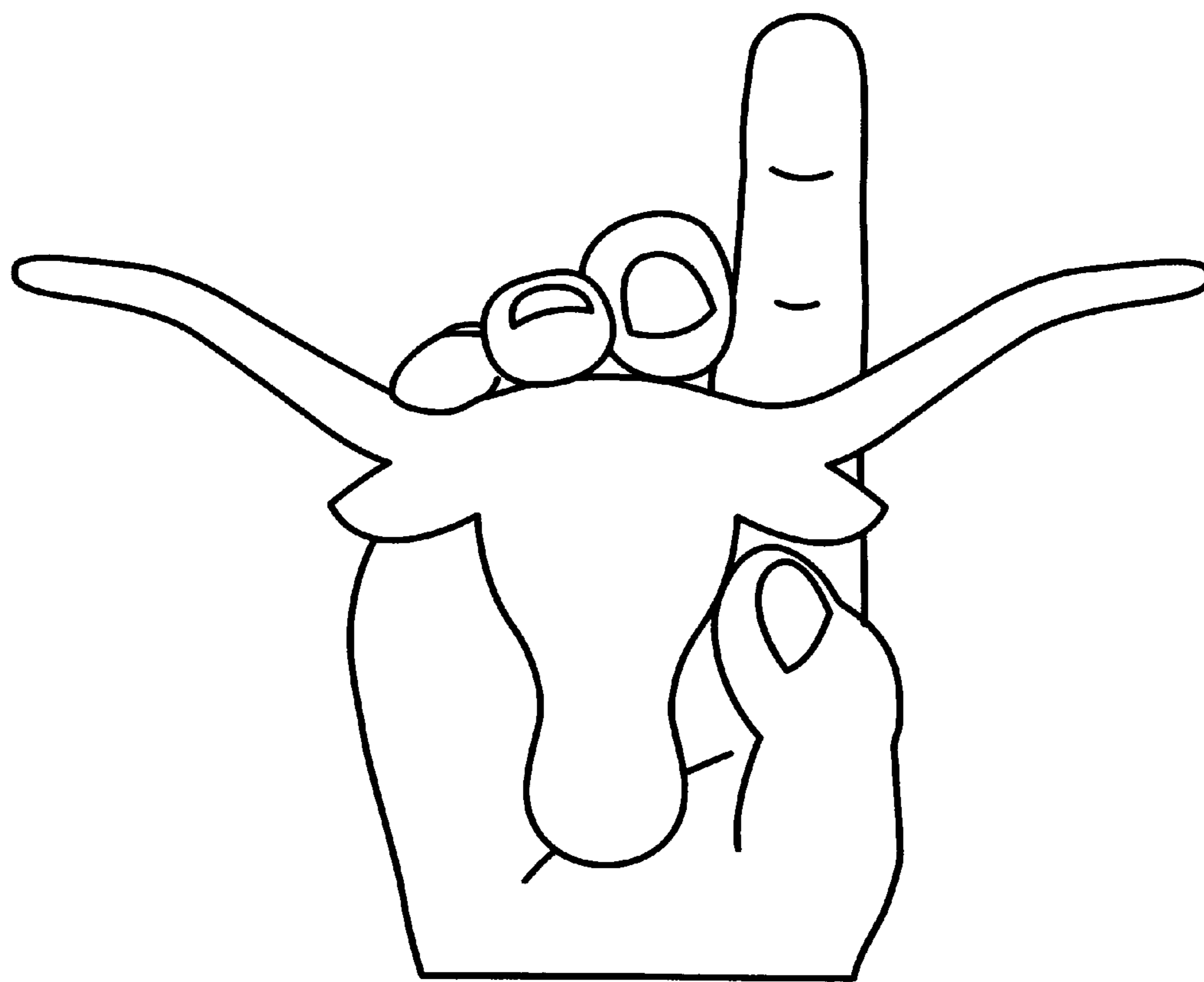


FIG. 9

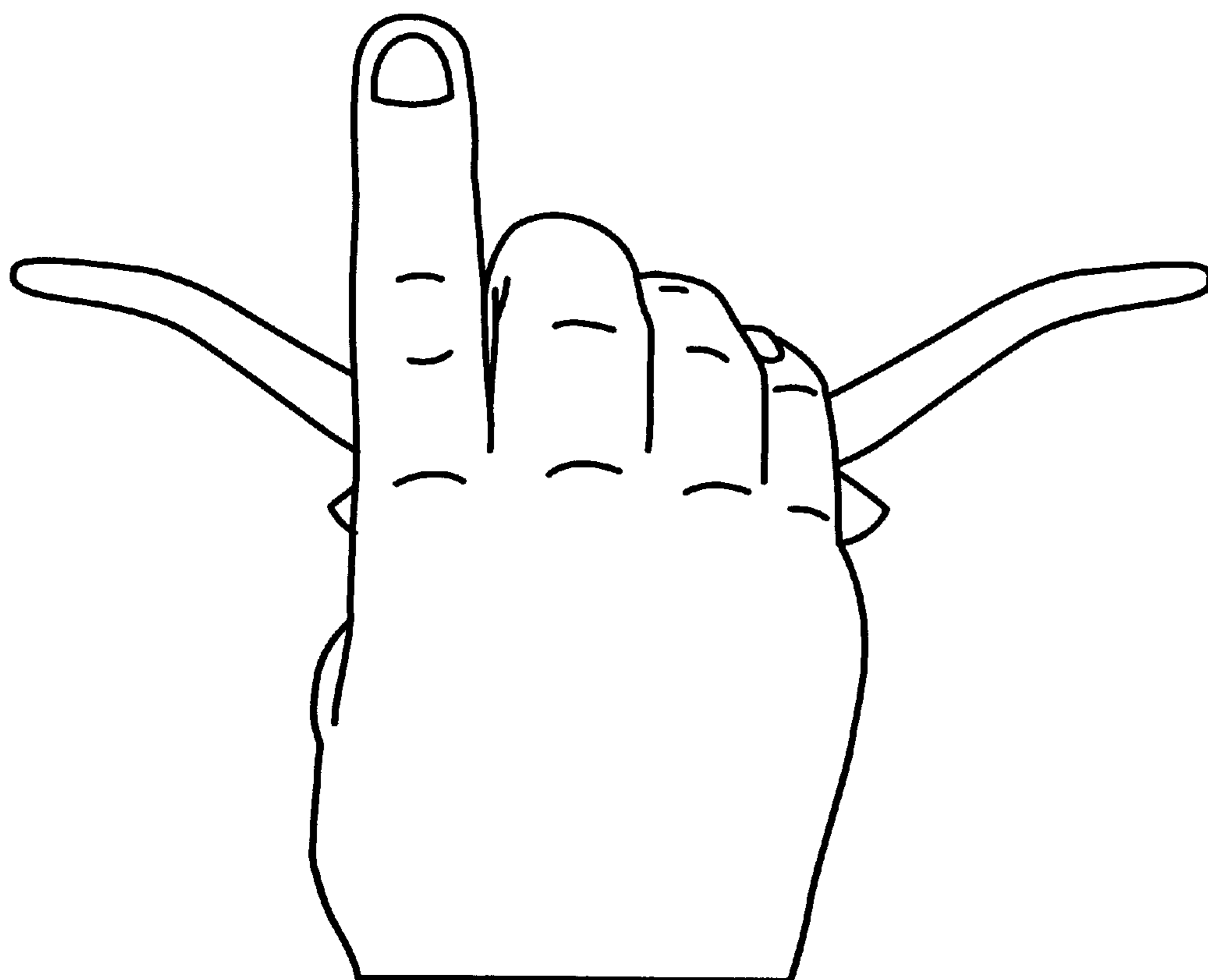


FIG. 10

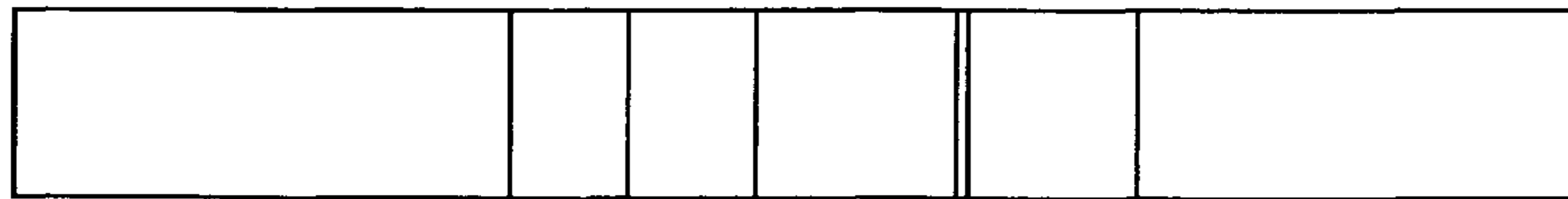


FIG. 12

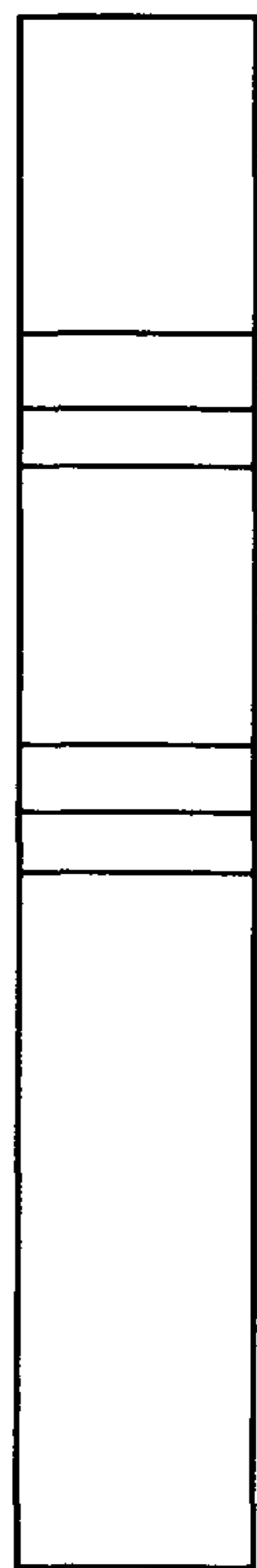


FIG. 11



FIG. 14

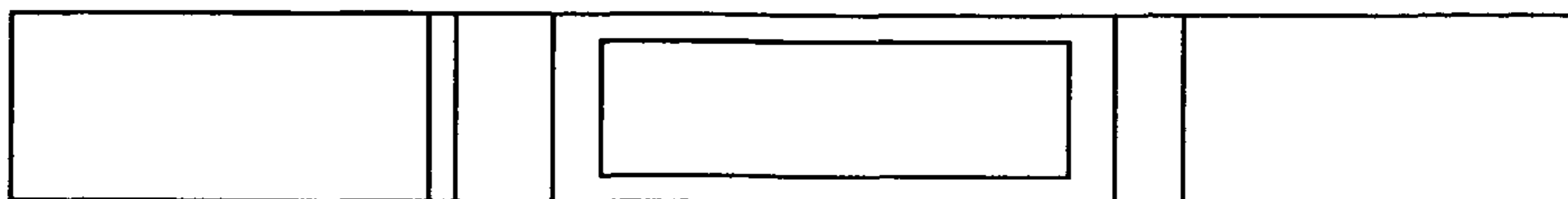


FIG. 13

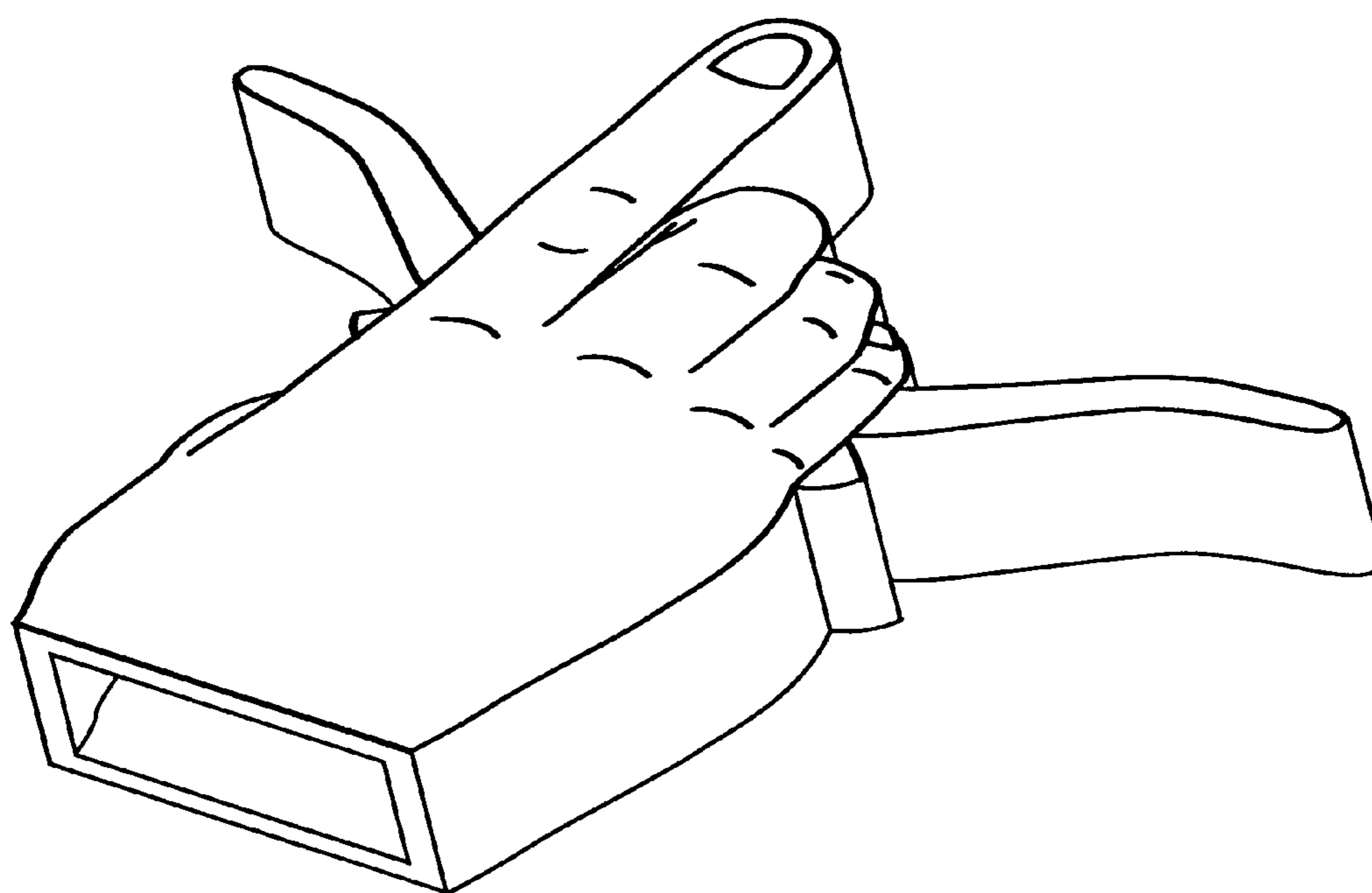


FIG. 15

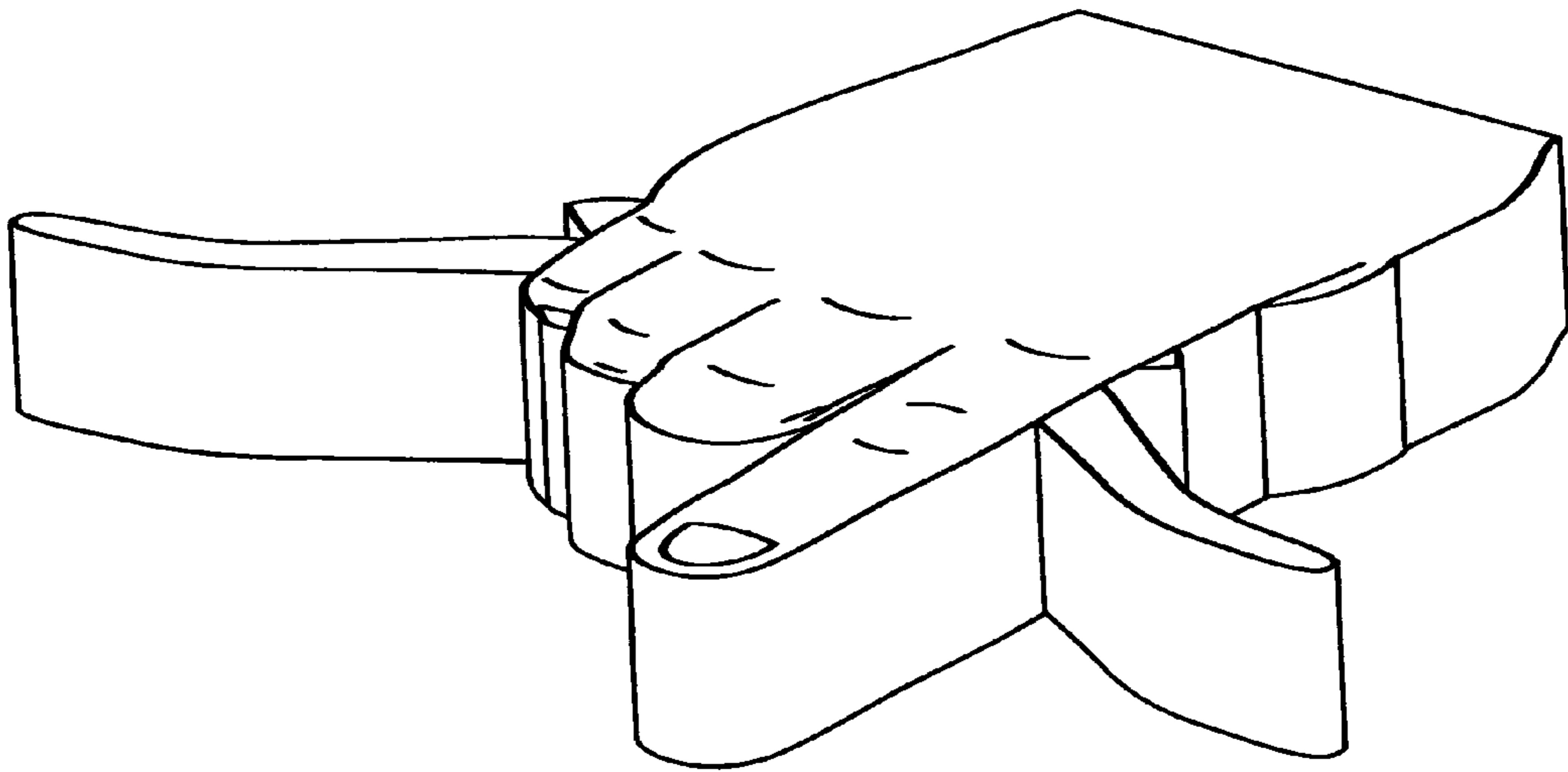


FIG. 16

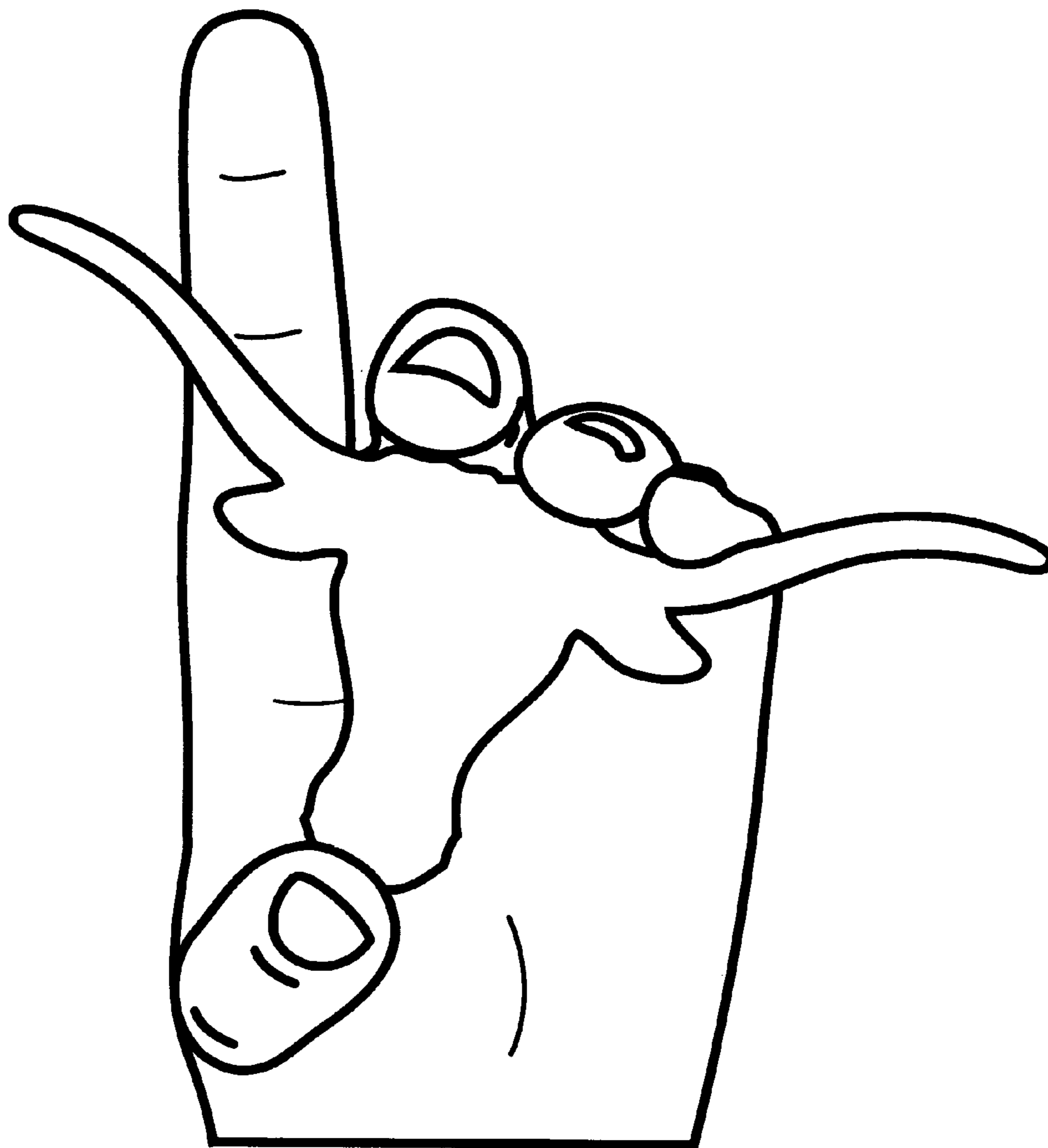


FIG. 17

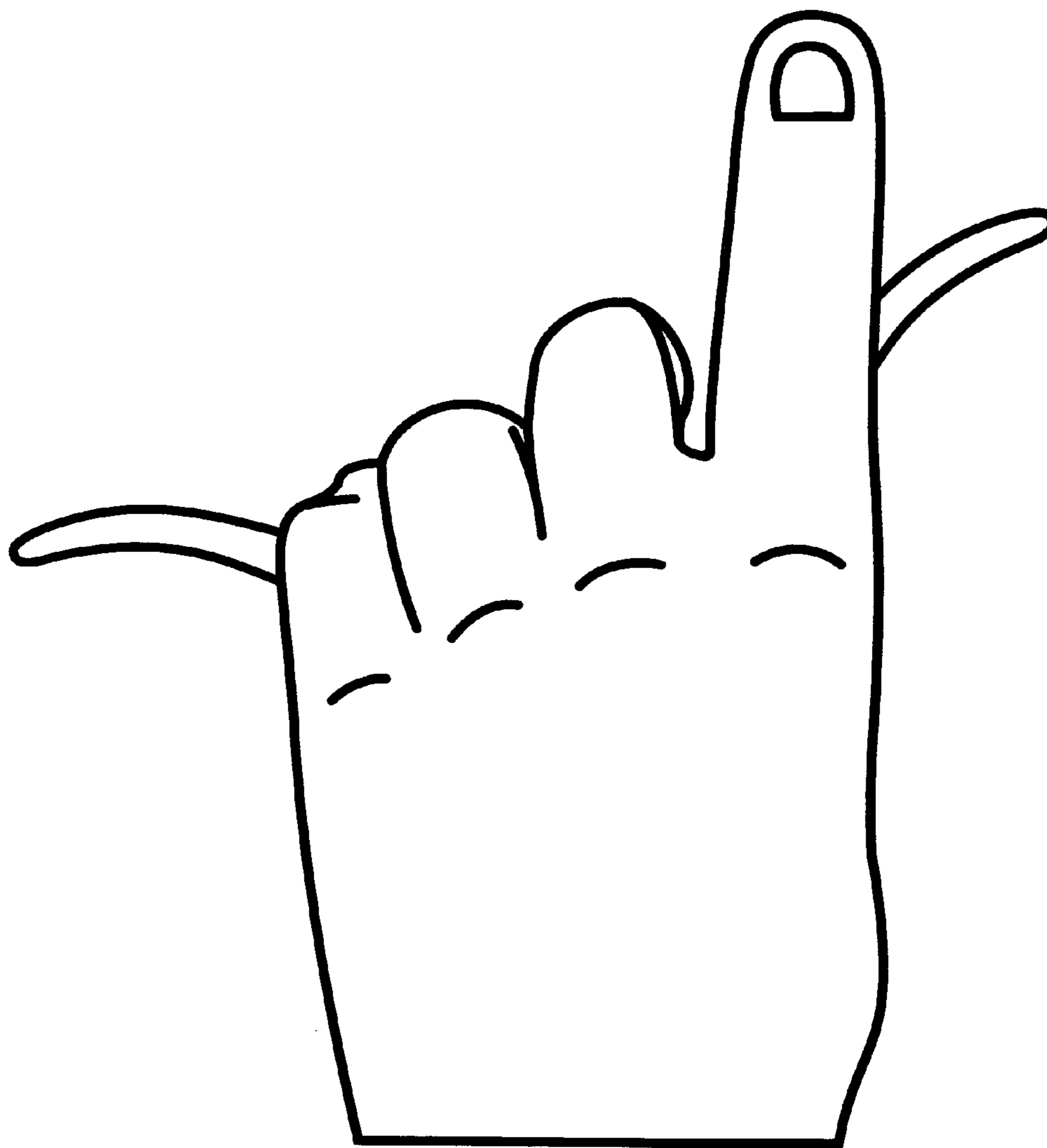


FIG. 18



FIG. 20

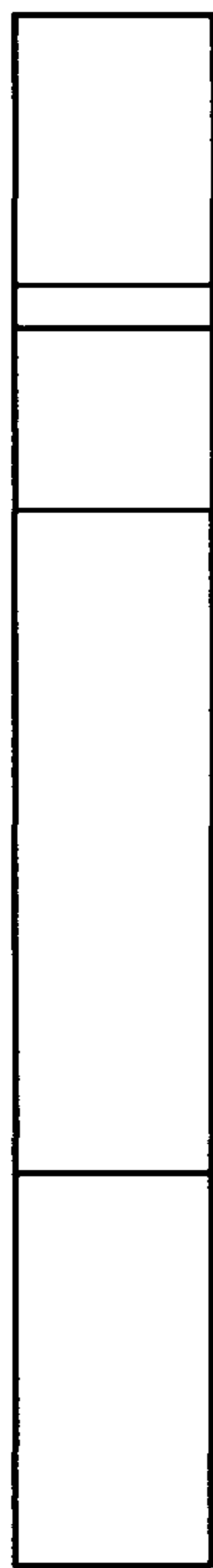


FIG. 19



FIG. 22

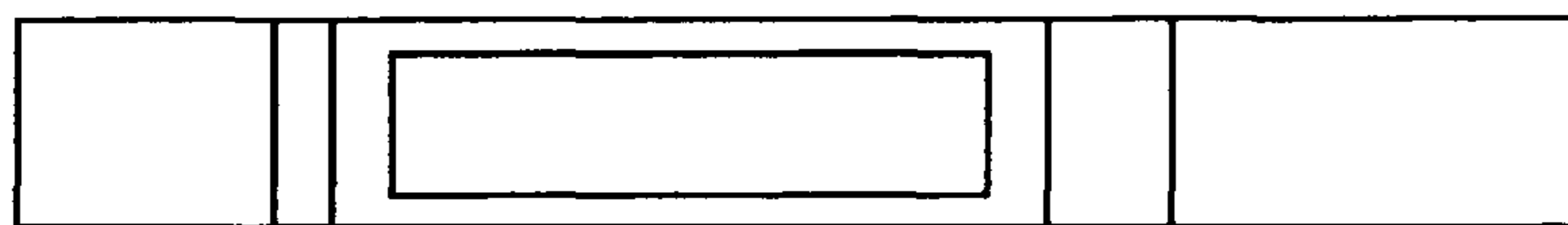


FIG. 21

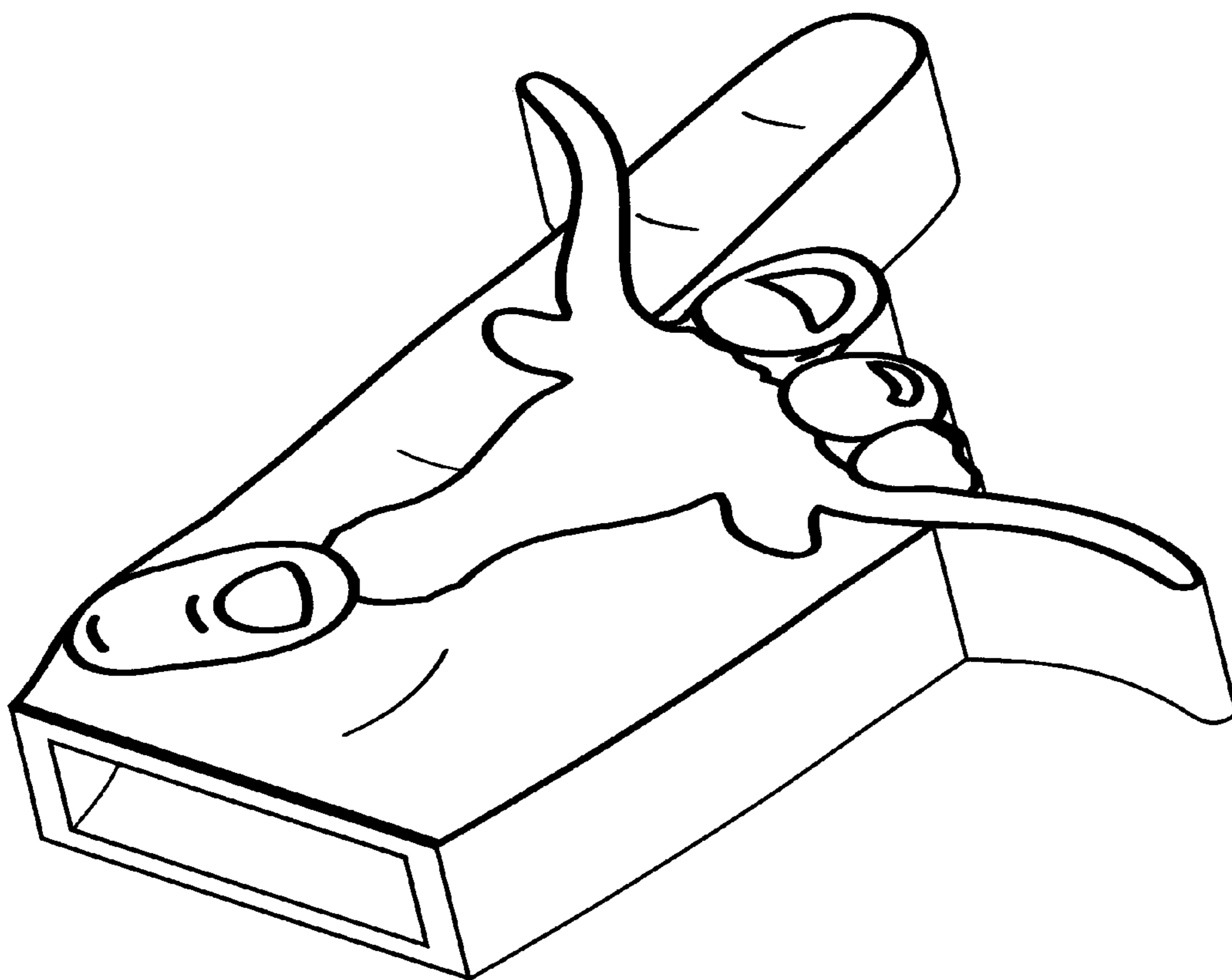


FIG. 23

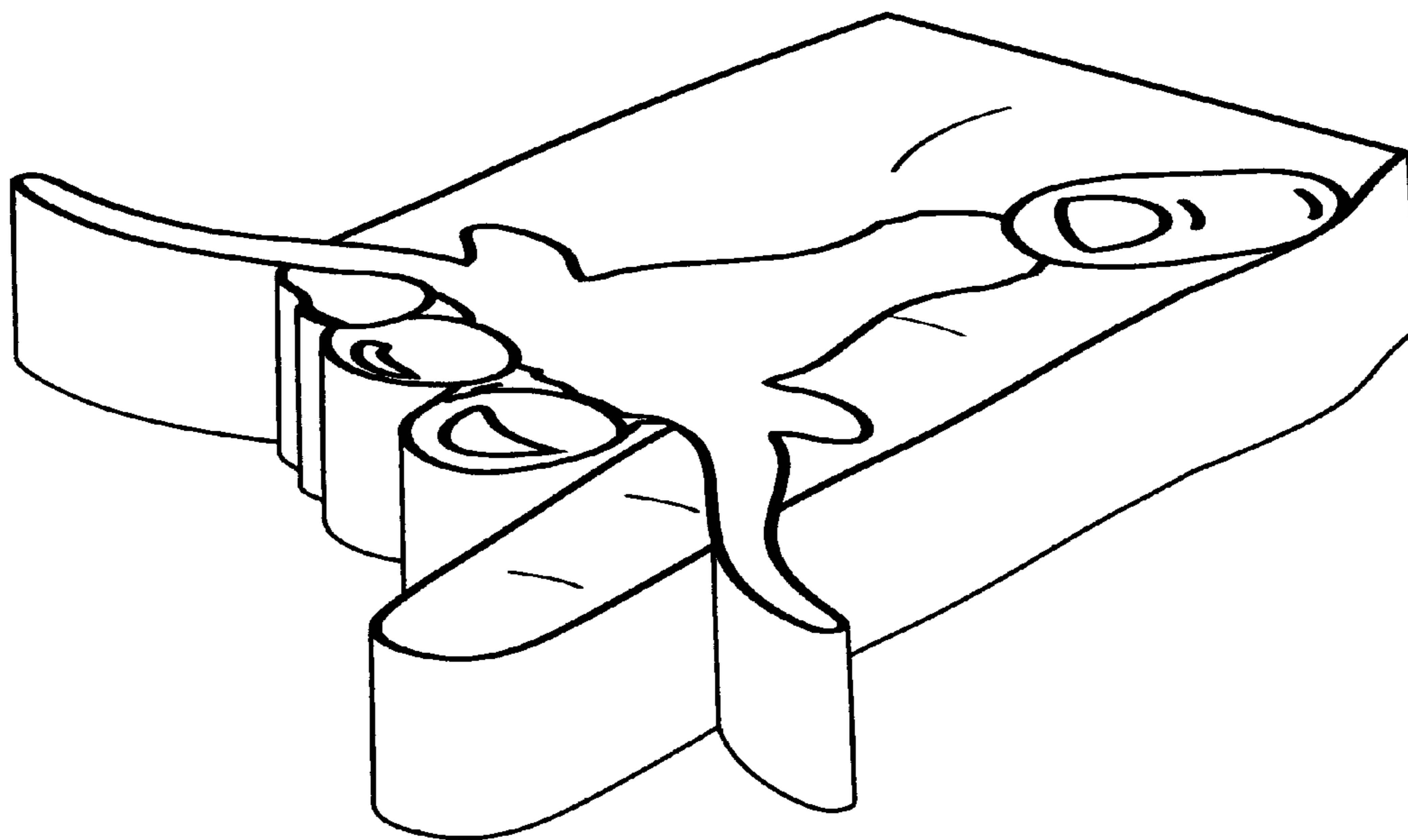


FIG. 24

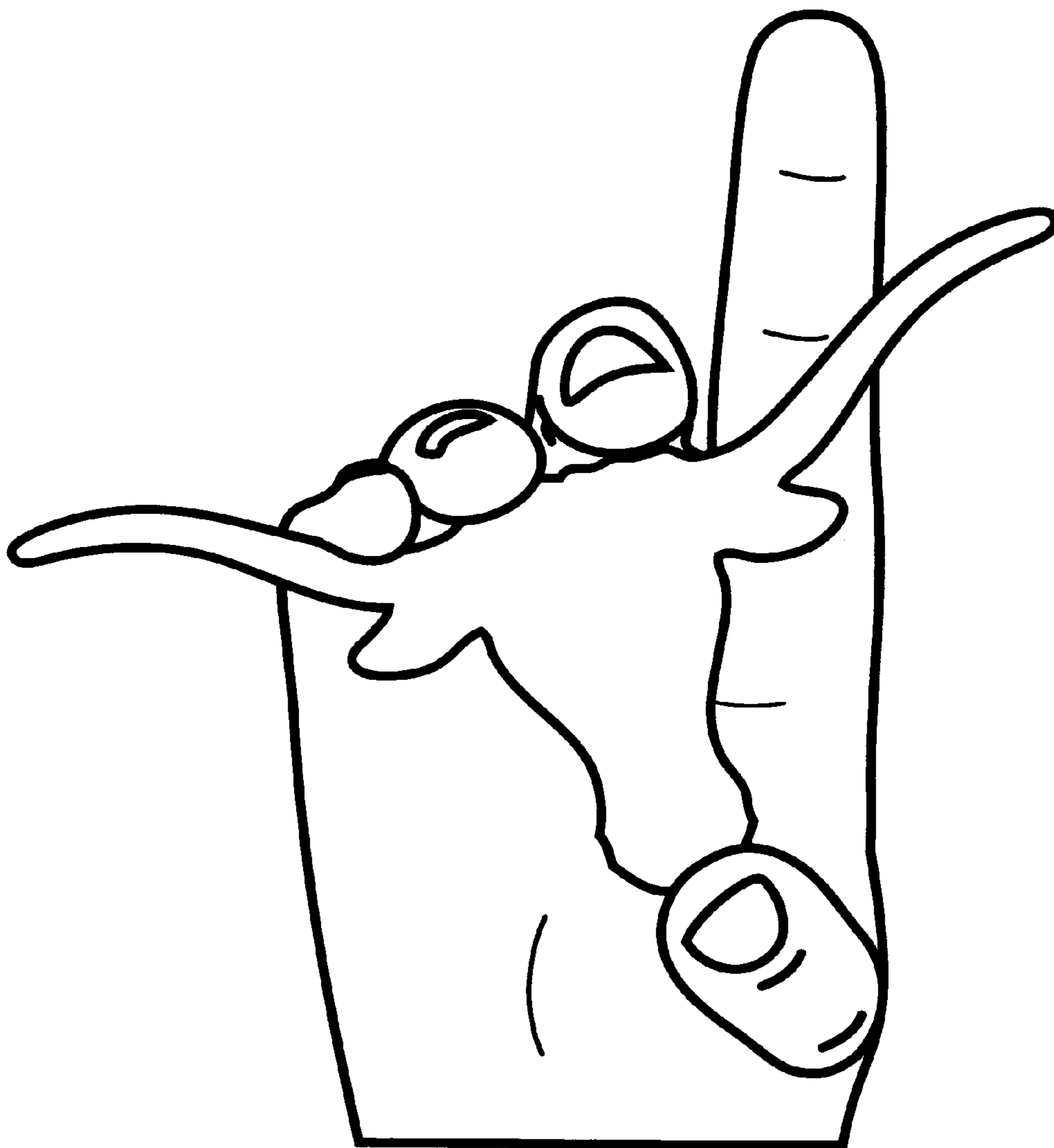


FIG. 25

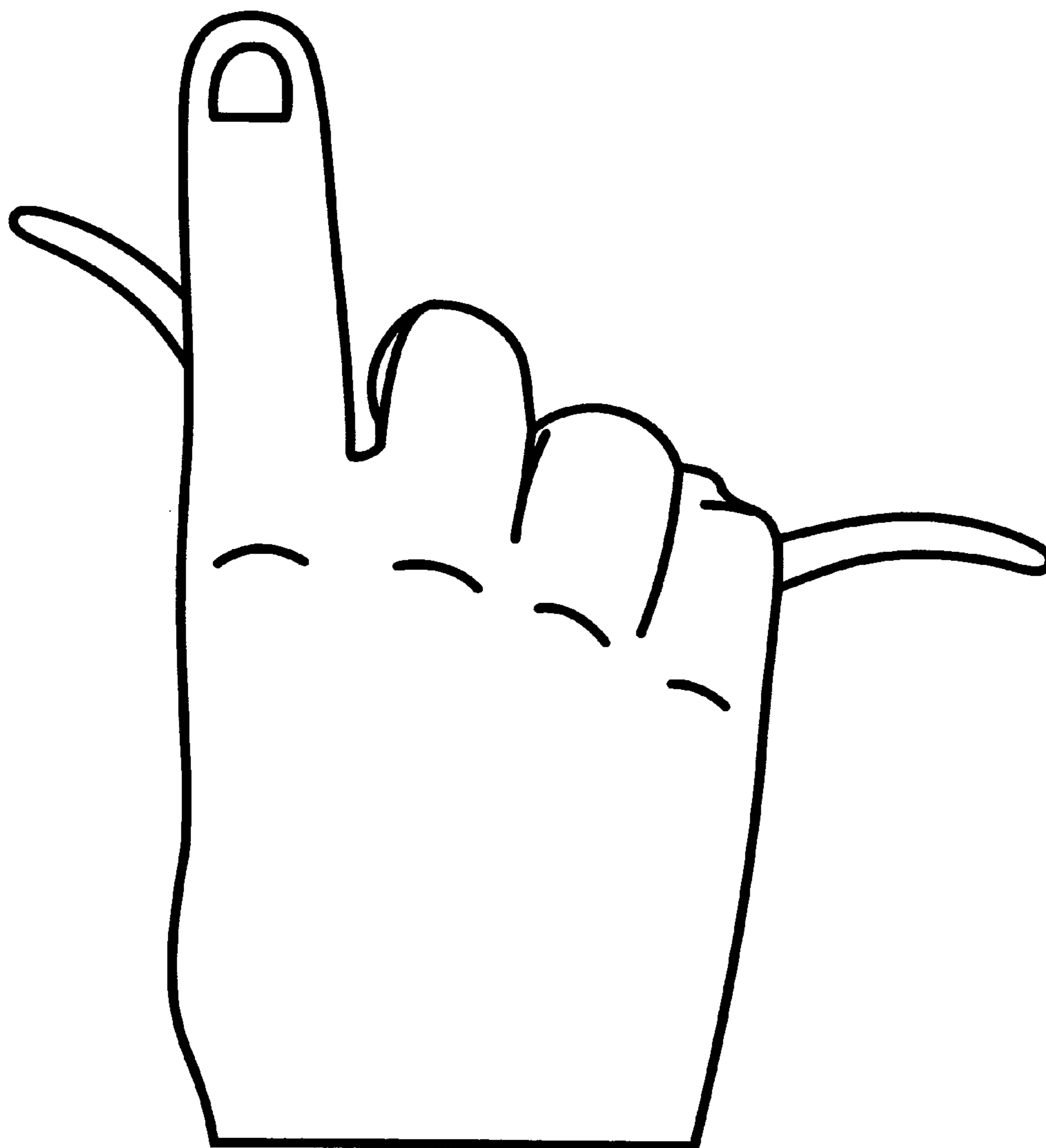


FIG. 26

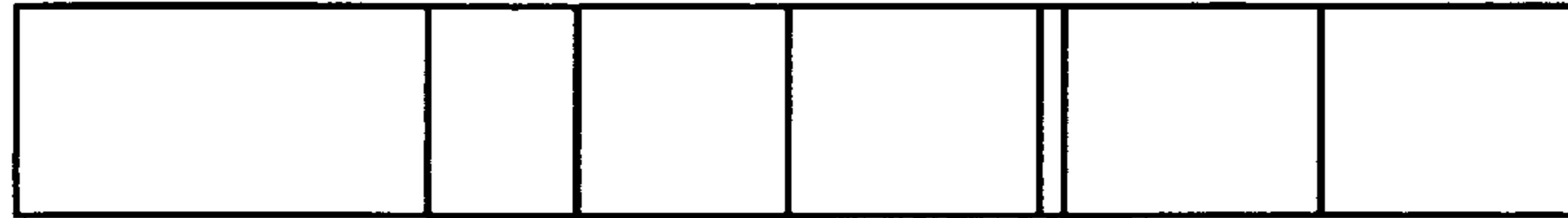


FIG. 28



FIG. 27



FIG. 30

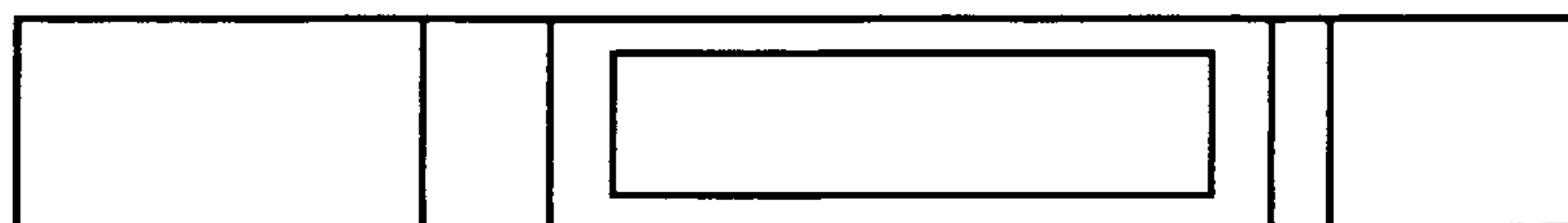


FIG. 29

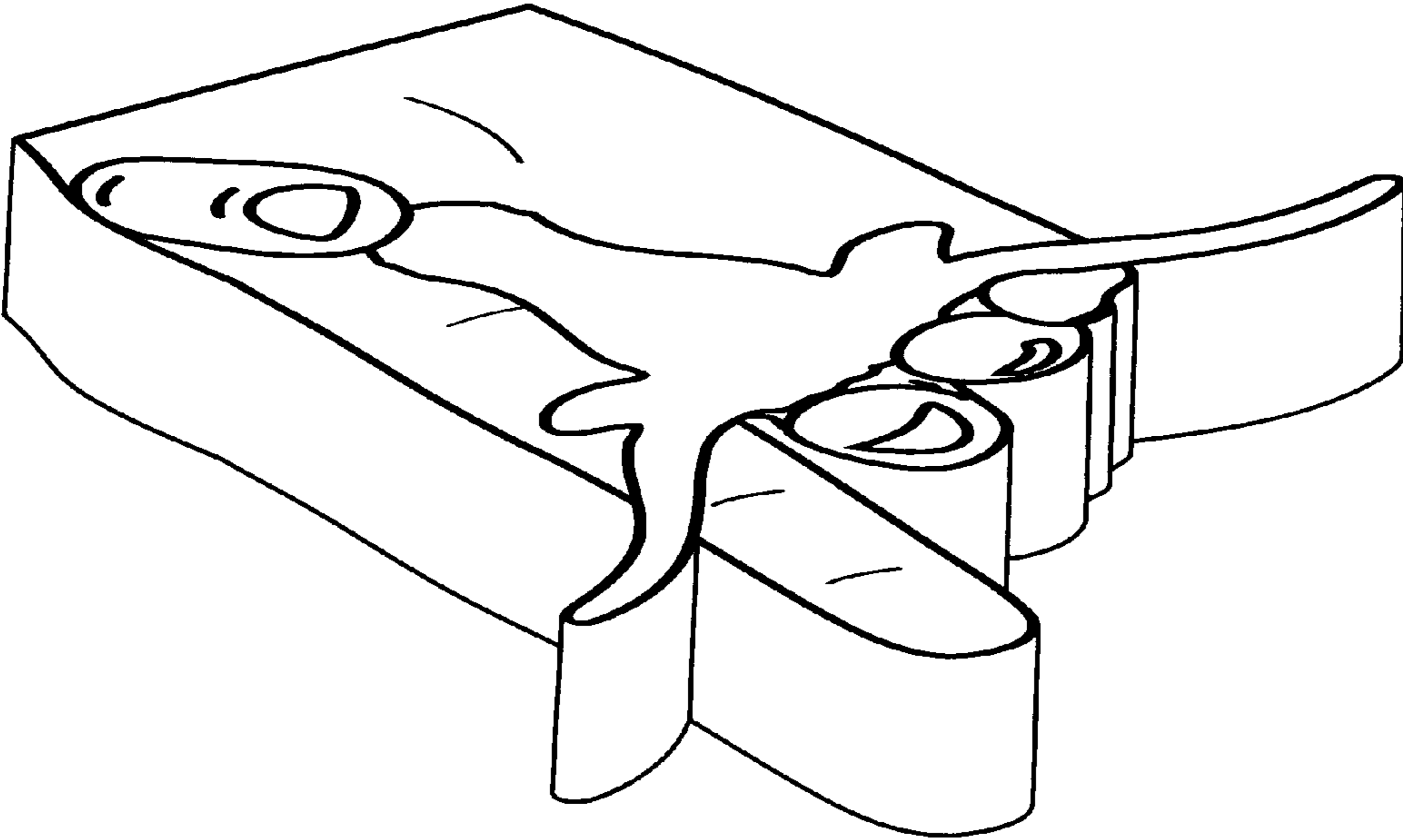


FIG. 31

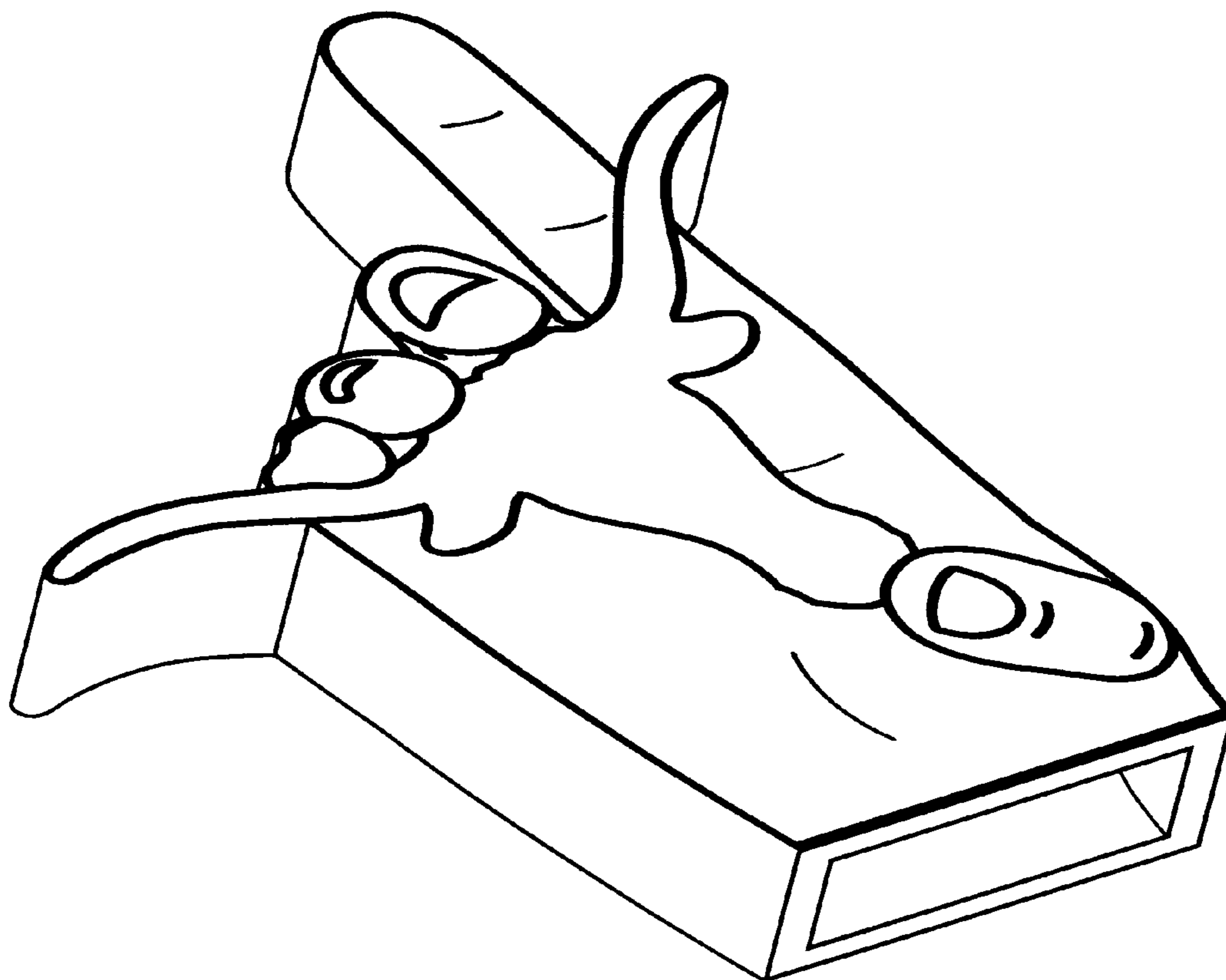


FIG. 32