

US00D681733S

(12) **United States Design Patent**  
**Lau**

(10) **Patent No.:** **US D681,733 S**

(45) **Date of Patent:** **\*\* \*May 7, 2013**

(54) **NOTE AND CLIP**

(76) Inventor: **Janet K. Lau**, Union City, CA (US)

(\*) Notice: This patent is subject to a terminal disclaimer.

(\*\*) Term: **14 Years**

(21) Appl. No.: **29/425,969**

(22) Filed: **Jun. 28, 2012**

**Related U.S. Application Data**

(63) Continuation of application No. 29/369,794, filed on Sep. 13, 2010, now Pat. No. Des. 664,198.

(51) **LOC (9) Cl.** ..... **19-02**

(52) **U.S. Cl.**  
USPC ..... **D19/65**

(58) **Field of Classification Search** ..... D8/394,  
D8/395; D19/1, 2, 65, 86, 99, 100; D20/22,  
D20/27, 43; 24/67 R, 67.3, 67.5, 67.7, 67.9,  
24/67.11, 546, 547, DIG. 8, DIG. 9; 40/300,  
40/359, 658, 666

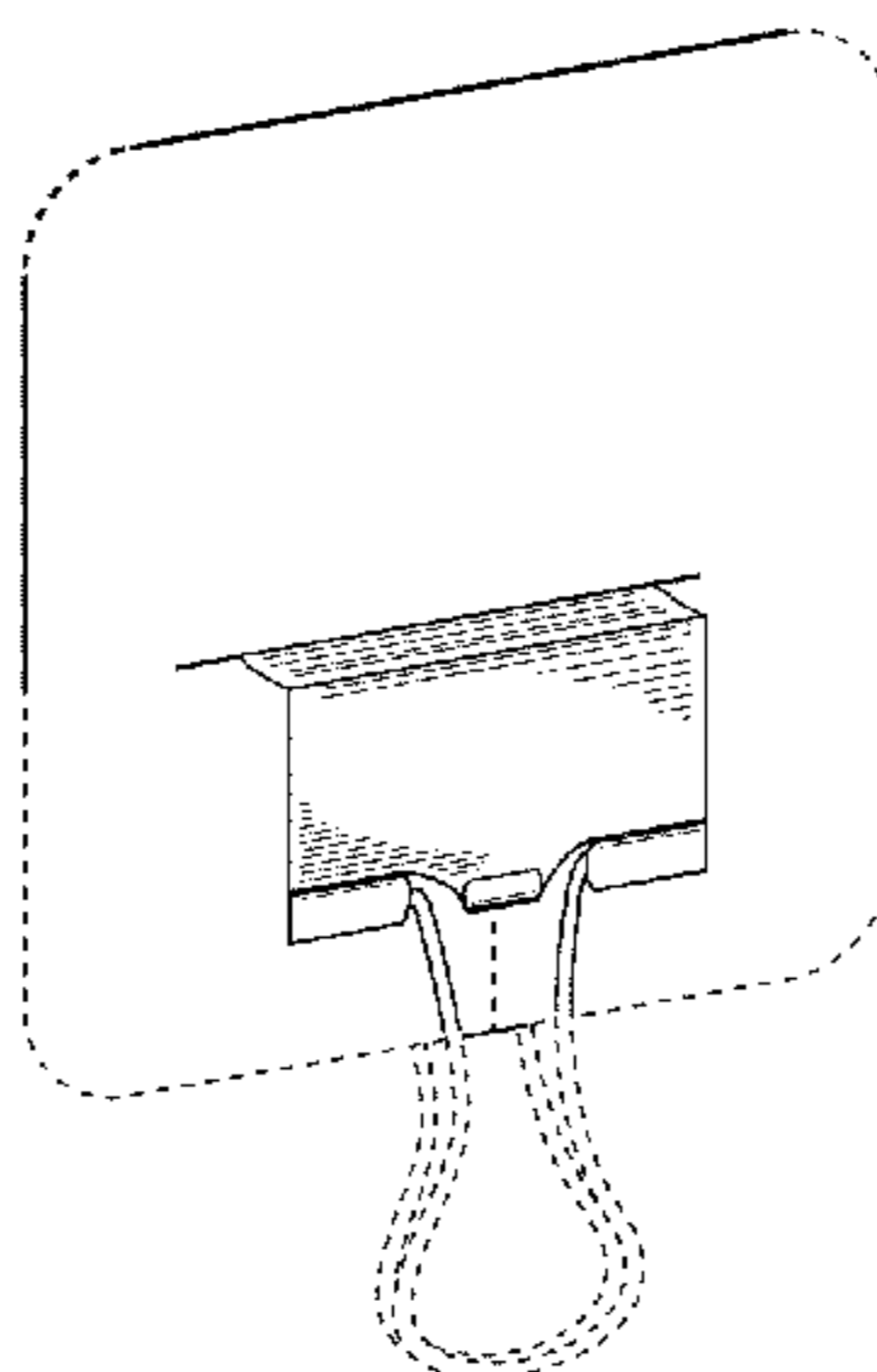
See application file for complete search history.

(56) **References Cited**

**U.S. PATENT DOCUMENTS**

332,327 A \* 12/1885 Clark ..... 116/236  
876,252 A \* 1/1908 Baker ..... 40/641  
962,397 A \* 6/1910 Whitmore ..... 248/451  
1,052,505 A \* 2/1913 Munger et al. .... 40/641  
1,139,627 A \* 5/1915 Baltzley ..... 24/565  
1,158,940 A \* 11/1915 Litt et al. .... 40/659  
1,345,365 A \* 7/1920 Hutchison ..... 24/67.11  
1,465,576 A \* 8/1923 Biggs ..... 40/641  
1,587,335 A \* 6/1926 Kline ..... 24/67.11  
1,661,165 A \* 3/1928 Cameron ..... 24/355  
1,778,031 A \* 10/1930 Kinch ..... 40/666  
1,802,980 A \* 4/1931 Marsh ..... 40/666  
1,826,580 A \* 10/1931 Spinney ..... 40/641  
1,865,453 A \* 7/1932 Baltzley ..... 24/545  
1,888,704 A \* 11/1932 Swett ..... 40/662  
1,894,906 A \* 1/1933 Henry, Jr. .... 40/641  
1,914,671 A \* 6/1933 O'Neil ..... 40/641  
1,976,465 A \* 10/1934 Thomson ..... 116/237

1,997,894 A \* 4/1935 Woodley ..... 24/67.11  
2,008,019 A \* 7/1935 Horlick, Jr. .... 24/67.11  
2,118,043 A \* 5/1938 Goza ..... 40/641  
2,362,445 A \* 11/1944 Blodgett ..... 24/710.8  
2,415,248 A \* 2/1947 Kenna et al. .... 40/641  
3,107,673 A \* 10/1963 Haddad ..... 402/79  
3,290,810 A \* 12/1966 Morena ..... 40/641  
3,301,264 A \* 1/1967 Usoskin ..... 402/70  
3,360,877 A \* 1/1968 Estep ..... 40/300  
3,934,368 A \* 1/1976 Fearing ..... 40/301  
D241,342 S \* 9/1976 Carroll ..... D19/34  
D268,848 S \* 5/1983 Lorber ..... D19/99  
4,384,417 A \* 5/1983 Thompson ..... 40/659  
4,425,724 A \* 1/1984 Scott ..... 40/659  
4,532,680 A \* 8/1985 Hashimoto ..... 24/67 R  
4,646,455 A \* 3/1987 Gardner ..... 40/301  
4,691,458 A \* 9/1987 Scott ..... 40/300  
4,761,862 A \* 8/1988 Hiromori ..... 24/67.9  
4,878,302 A \* 11/1989 Jowsey ..... 40/302  
4,951,408 A \* 8/1990 Banks ..... 40/641  
5,199,203 A \* 4/1993 Jones ..... 40/641  
5,481,784 A \* 1/1996 Sinaiko ..... 24/67.9  
D368,487 S \* 4/1996 Lindberg ..... D19/1  
5,533,236 A \* 7/1996 Tseng ..... 24/67.5  
D372,498 S \* 8/1996 Sato ..... D19/65  
5,619,789 A \* 4/1997 Chung ..... 29/814  
5,638,583 A \* 6/1997 Tseng ..... 24/67.5  
5,695,219 A \* 12/1997 Crawford ..... 283/39  
5,896,624 A \* 4/1999 Horswell ..... 24/67.5  
5,950,283 A \* 9/1999 Sato ..... 24/67 R  
D416,584 S \* 11/1999 Ho ..... D19/78  
6,197,396 B1 \* 3/2001 Haas et al. .... 428/40.1  
6,327,749 B1 \* 12/2001 Antinone ..... 24/67 R  
6,363,941 B1 \* 4/2002 Combs ..... 131/190  
6,374,463 B1 \* 4/2002 Kaufman ..... 24/67.5  
D465,525 S \* 11/2002 Dilday ..... D19/65  
D468,355 S \* 1/2003 Danella et al. .... D19/65  
D476,172 S \* 6/2003 Bourne, Sr. .... D6/467  
D478,122 S \* 8/2003 Haas ..... D19/2  
D479,560 S \* 9/2003 Deaton, Sr. .... D20/19  
D485,780 S \* 1/2004 Thomson ..... D11/78.1  
D488,835 S \* 4/2004 Haruhiro ..... D19/90  
7,005,170 B1 \* 2/2006 Simpson et al. .... 428/40.1  
7,040,051 B2 \* 5/2006 Windorski ..... 40/641  
7,120,969 B2 \* 10/2006 Carls ..... 24/67.3  
7,225,570 B2 \* 6/2007 Windorski ..... 40/641  
7,318,293 B2 \* 1/2008 Ardern, II ..... 40/666  
D565,109 S \* 3/2008 Lau ..... D19/65  
D565,112 S \* 3/2008 Lau ..... D19/65  
D566,184 S \* 4/2008 Lau ..... D19/65  
D580,982 S \* 11/2008 Lau ..... D19/65  
D616,294 S \* 5/2010 Britt et al. .... D9/414  
D616,736 S \* 6/2010 Britt et al. .... D9/415



7,730,593	B1 *	6/2010	Juilly .....	24/67.5
D642,623	S *	8/2011	Turner et al. ....	D20/40
7,992,260	B1 *	8/2011	Juilly .....	24/67.5
2001/0032376	A1 *	10/2001	Payne .....	24/67.5
2003/0115722	A1 *	6/2003	Shogbamimu et al. ....	24/67 R
2005/0060923	A1 *	3/2005	Ardern .....	40/658
2005/0217078	A1 *	10/2005	Groch et al. ....	24/67.3
2006/0000133	A1 *	1/2006	Windorski .....	40/641
2006/0130288	A1 *	6/2006	Carls .....	24/67.3
2010/0313393	A1 *	12/2010	Kim et al. ....	24/67 R

\* cited by examiner

*Primary Examiner* — Elizabeth Albert

(74) *Attorney, Agent, or Firm* — Aka Chan LLP

(57) **CLAIM**

The ornamental design for a note and clip, as shown and described.

**DESCRIPTION**

FIG. 1 shows a perspective view of a first embodiment of a design of a note and clip.  
 FIG. 2 shows a right-side view of FIG. 1. A left-side view is a mirror image of the right-side view.  
 FIG. 3 shows another perspective view of FIG. 1.  
 FIG. 4 shows a front view of FIG. 1. A back view is a mirror image of the front view.  
 FIG. 5 shows a right-side view of FIG. 1. A left-side view is a mirror image of the right-side view.  
 FIG. 6 shows a back view of FIG. 1. A front view is a mirror image of the back view.  
 FIG. 7 shows a top view of FIG. 1.  
 FIG. 8 shows a bottom view of FIG. 1.  
 FIG. 9 shows a perspective view of a second embodiment of a design of a note and clip.  
 FIG. 10 shows a right-side view of FIG. 9. A left-side view is a mirror image of the right-side view.  
 FIG. 11 shows another perspective view of FIG. 9.  
 FIG. 12 shows a front view of FIG. 9. A back view is a mirror image of the front view.  
 FIG. 13 shows a right-side view of FIG. 9. A left-side view is a mirror image of this right-side view.  
 FIG. 14 shows a back view of FIG. 9. A front view is a mirror image of the back view.  
 FIG. 15 shows a top view of FIG. 9.  
 FIG. 16 shows a bottom view of FIG. 9.  
 FIG. 17 shows a perspective view of a third embodiment of a design of a note and clip.  
 FIG. 18 shows a right-side view of FIG. 17. A left-side view is a mirror image of the right-side view.  
 FIG. 19 shows another perspective view of FIG. 17.  
 FIG. 20 shows a front view of FIG. 17. A back view of this embodiment is a mirror image of the front view.

FIG. 21 shows a right-side view of FIG. 17. A left-side view of this embodiment is a mirror image of the right-side view.  
 FIG. 22 shows a back view of FIG. 17. A front view of this embodiment is a mirror image of the back view.  
 FIG. 23 shows a top view of FIG. 17.  
 FIG. 24 shows a bottom view of FIG. 17.  
 FIG. 25 shows a perspective view of a fourth embodiment of a design of a note and clip.  
 FIG. 26 shows a right-side view of FIG. 25. A left-side view of this embodiment is a mirror image of the right-side view.  
 FIG. 27 shows another perspective view of FIG. 25.  
 FIG. 28 shows a front view of FIG. 25. A back view of this embodiment is a mirror image of the front view.  
 FIG. 29 shows a right-side view of FIG. 25. A left-side view of this embodiment is a mirror image of the right-side view.  
 FIG. 30 shows a front view of FIG. 25. A back view of this embodiment is a mirror image of the front view.  
 FIG. 31 shows a top view of FIG. 25.  
 FIG. 32 shows a bottom view of FIG. 25.  
 FIG. 33 shows a perspective view of a fifth embodiment of a design of a note and clip.  
 FIG. 34 shows a right-side view of FIG. 33. A left-side view of this embodiment is a mirror image of the right-side view.  
 FIG. 35 shows another perspective view of FIG. 33.  
 FIG. 36 shows a front view of FIG. 33. A back view of this embodiment is a mirror image of the front view.  
 FIG. 37 shows a right-side view of FIG. 33. A left-side view of this embodiment is a mirror image of the right-side view.  
 FIG. 38 shows a front view of FIG. 33. A back view of this embodiment is a mirror image of the front view.  
 FIG. 39 shows a top view of FIG. 33.  
 FIG. 40 shows a bottom view of FIG. 33.  
 FIG. 41 shows a perspective view of a sixth embodiment of a design of a note and clip.  
 FIG. 42 shows a right-side view of FIG. 41. A left-side view of this embodiment is a mirror image of the right-side view.  
 FIG. 43 shows another perspective view of FIG. 41.  
 FIG. 44 shows a front view of FIG. 41. A back view of this embodiment is a mirror image of the front view.  
 FIG. 45 shows a right-side view of FIG. 41. A left-side view of this embodiment is a mirror image of the right-side view.  
 FIG. 46 shows a front view of FIG. 41. A back view of this embodiment is a mirror image of the front view.  
 FIG. 47 shows a top view of FIG. 41; and,  
 FIG. 48 shows a bottom view of FIG. 41.  
 The surfaces of the note are entirely unclaimed except for the edge lines that are shown as solid lines. The broken-line features in the figures are for illustrative purposes only and form no part of the claimed design.

**1 Claim, 6 Drawing Sheets**

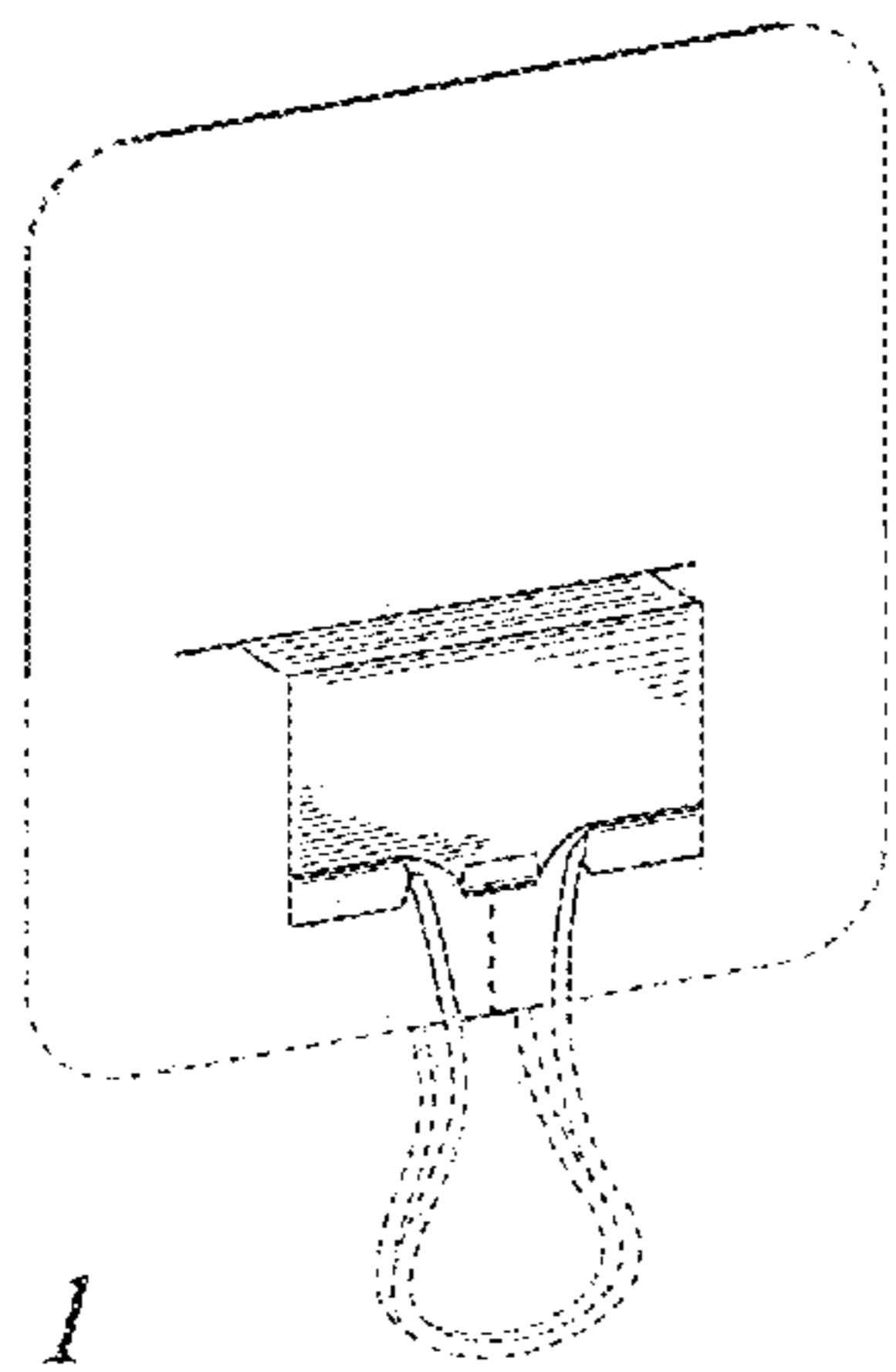


FIG. 1

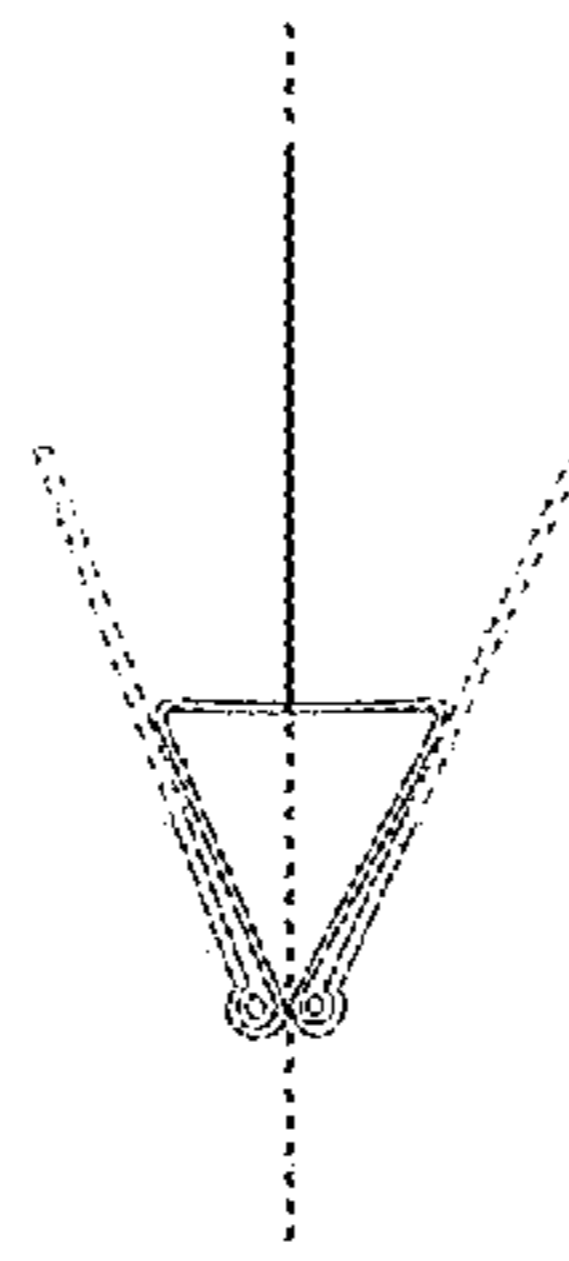


FIG. 2

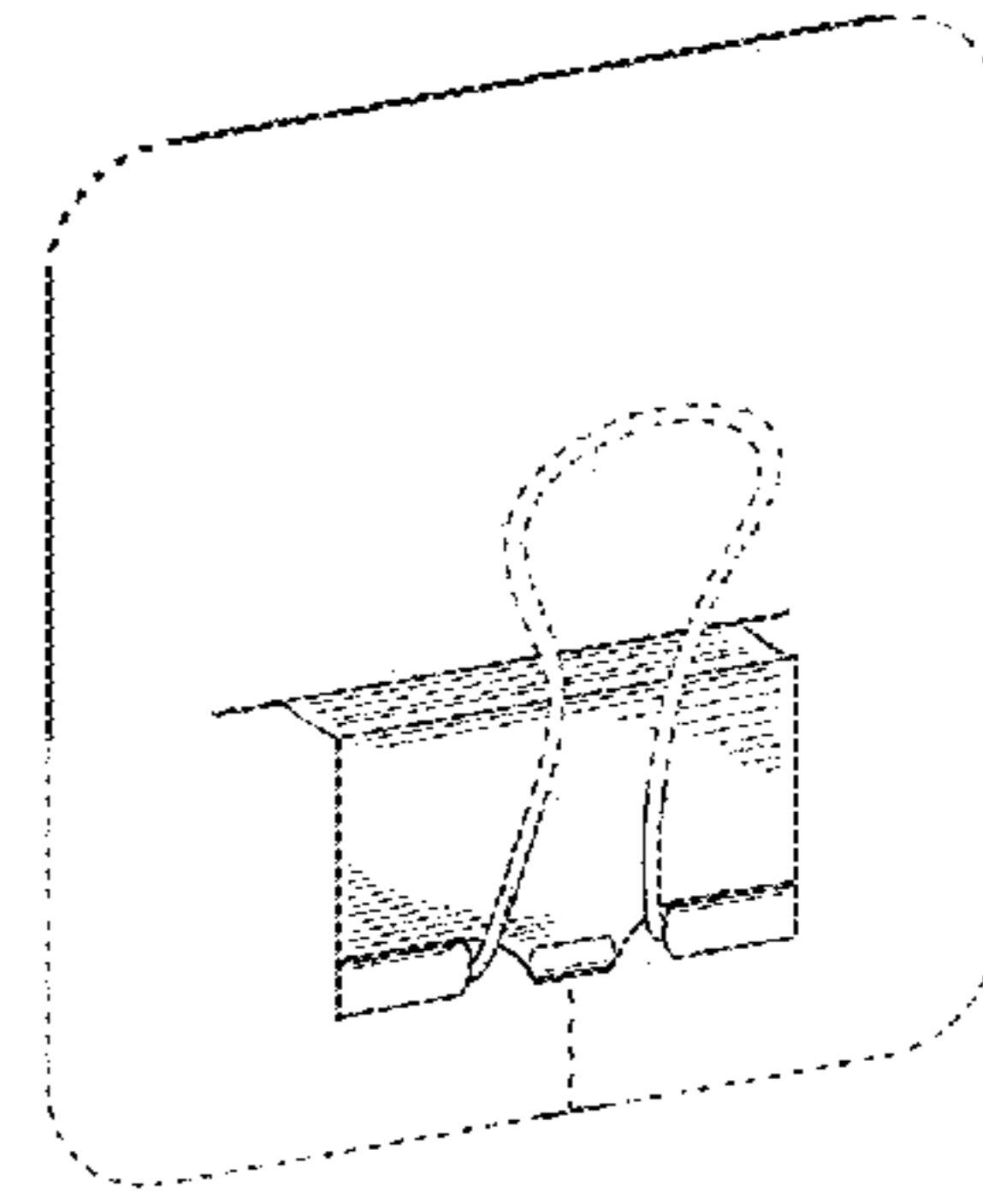


FIG. 3

FIG. 7

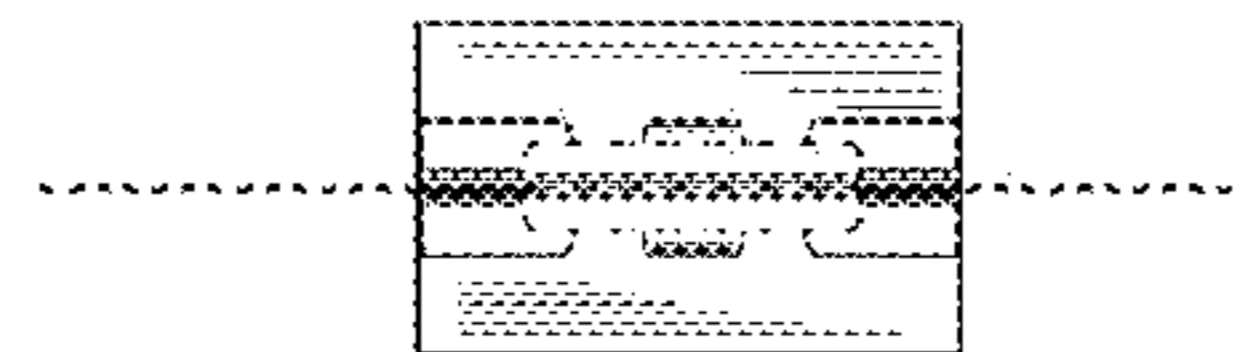
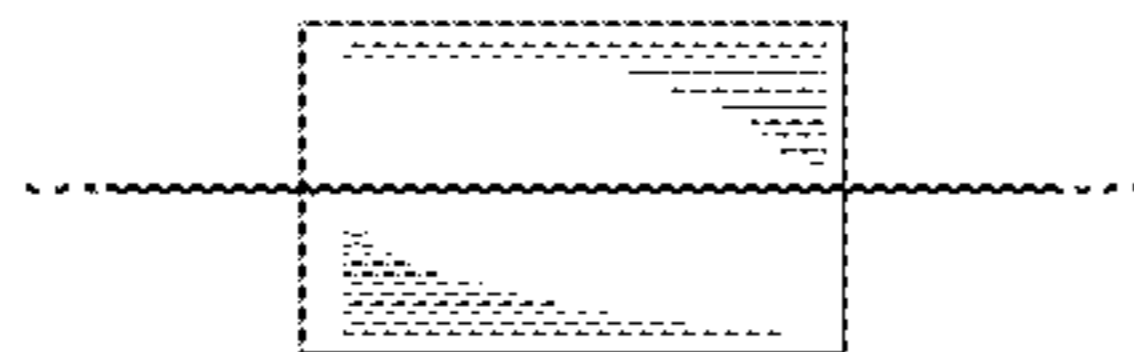


FIG. 8

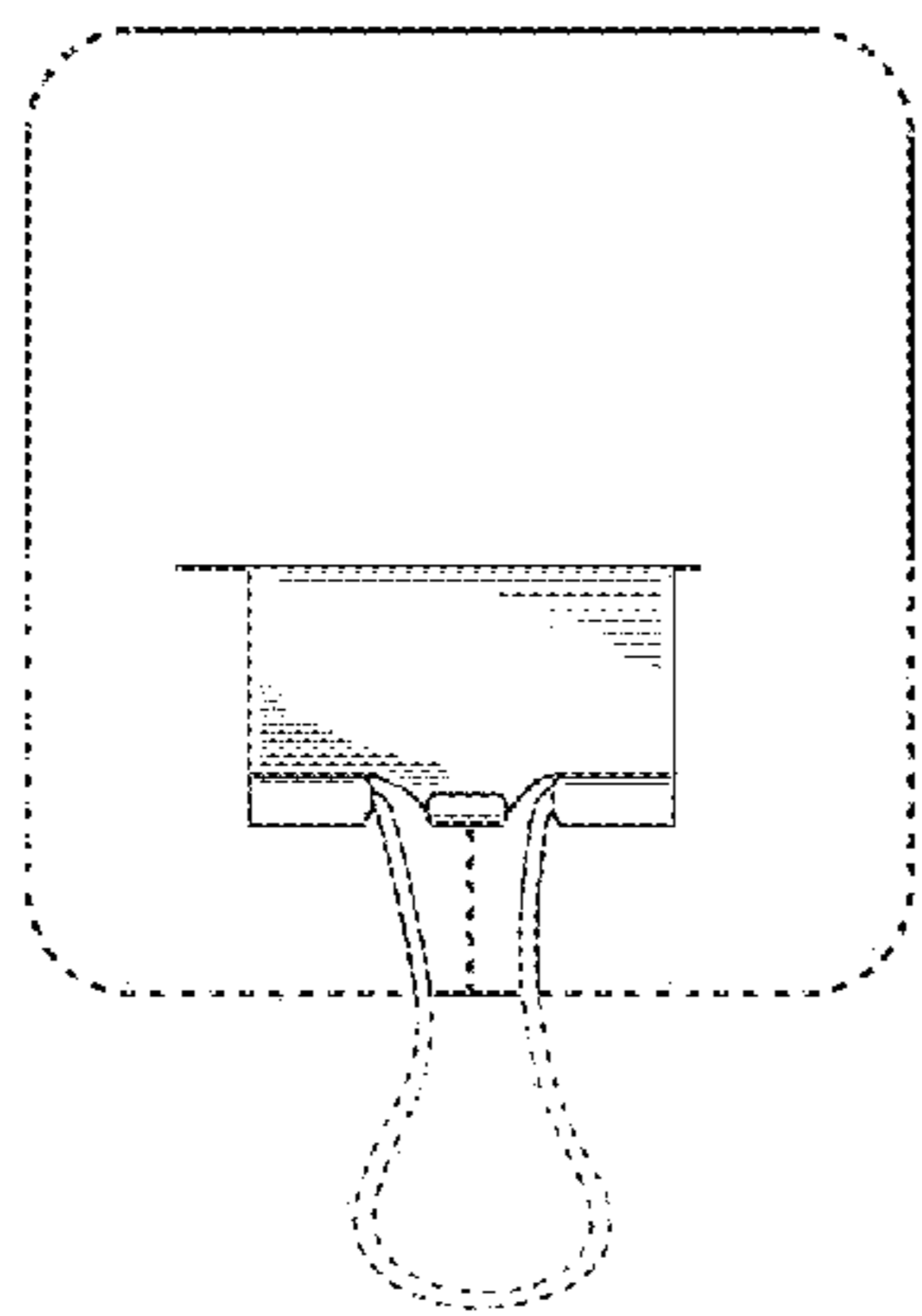


FIG. 4

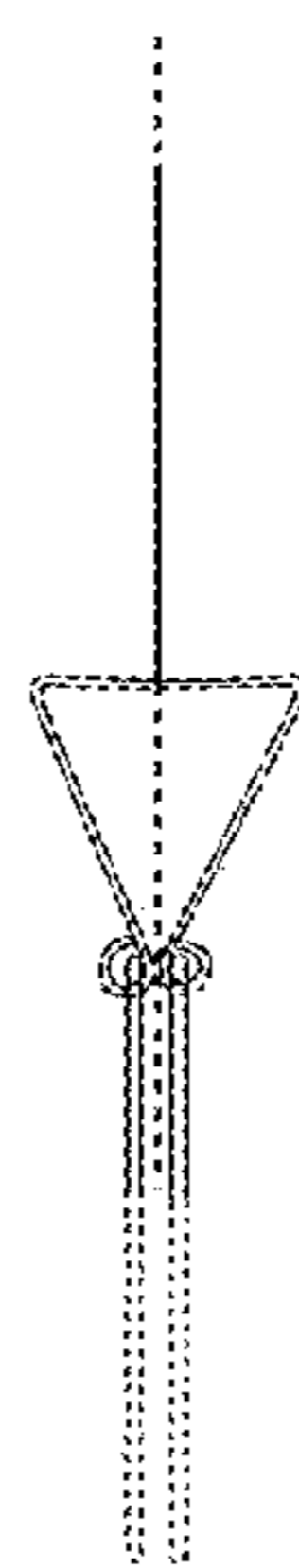


FIG. 5

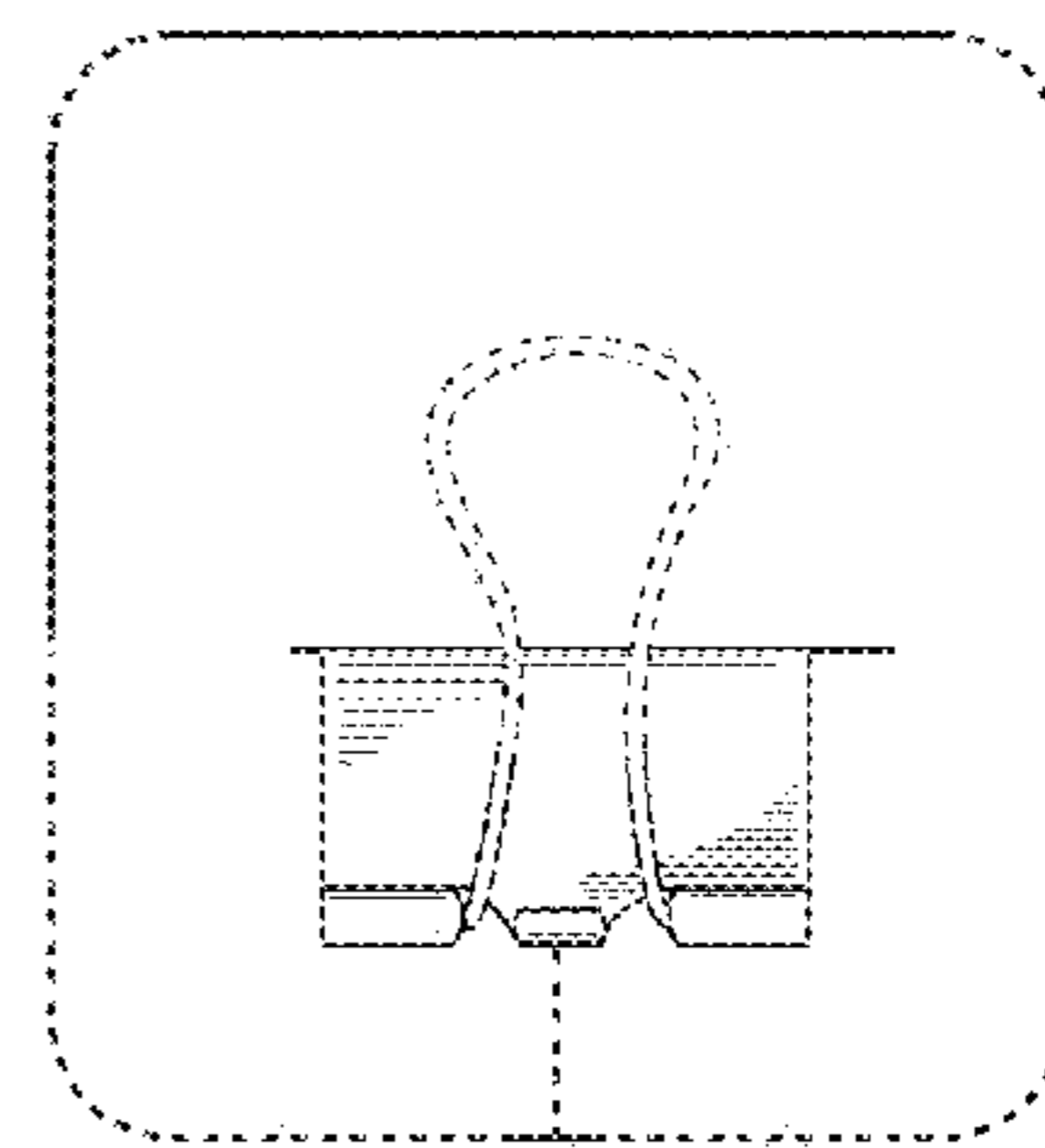


FIG. 6

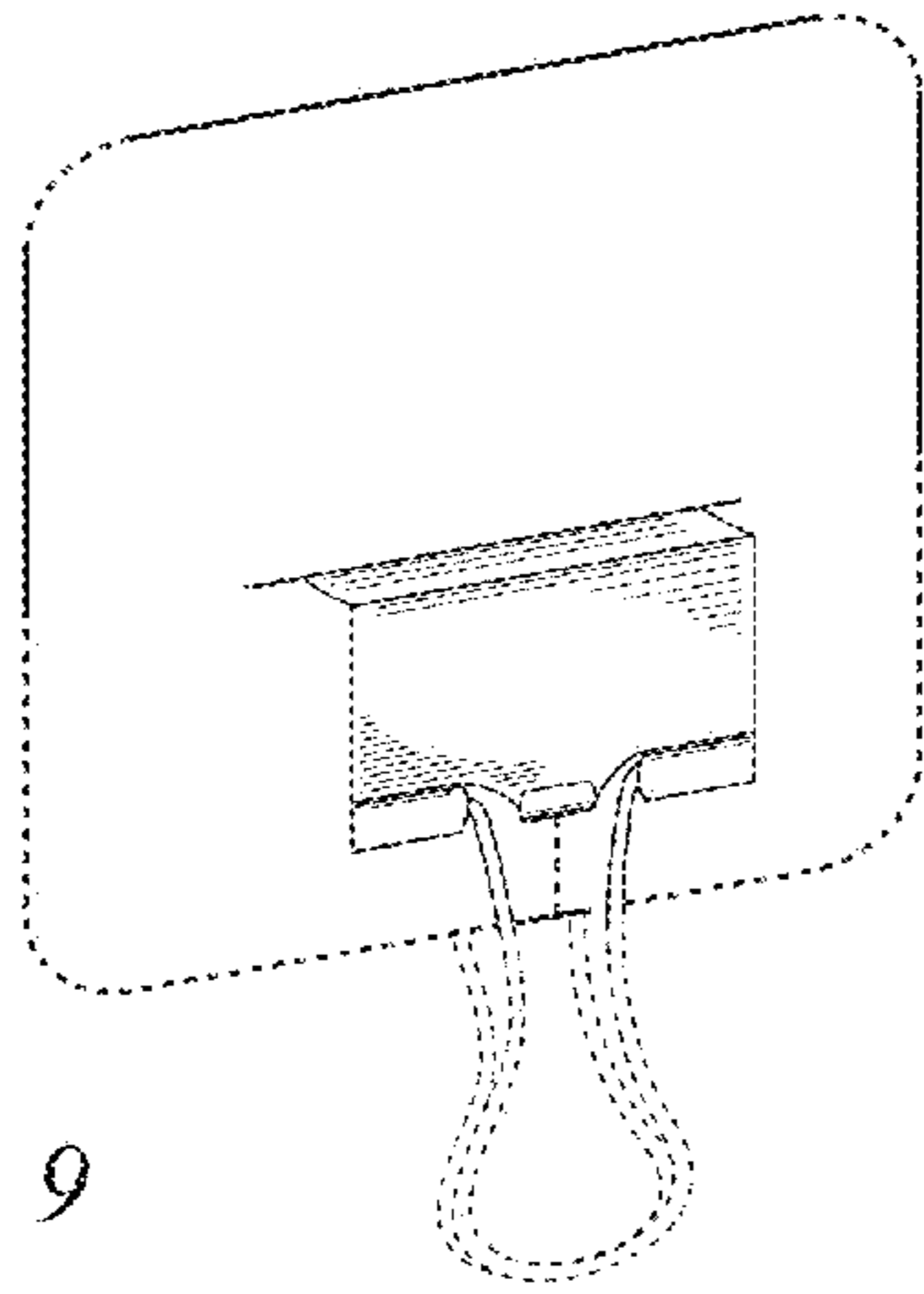


FIG. 9

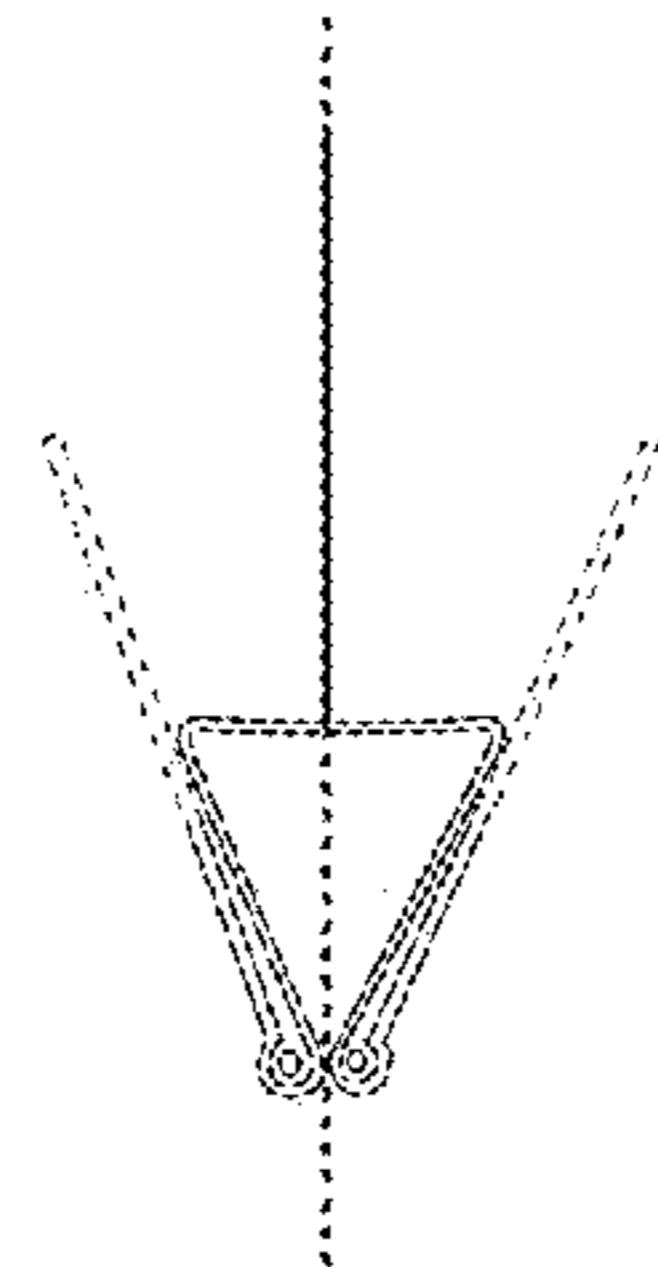


FIG. 10

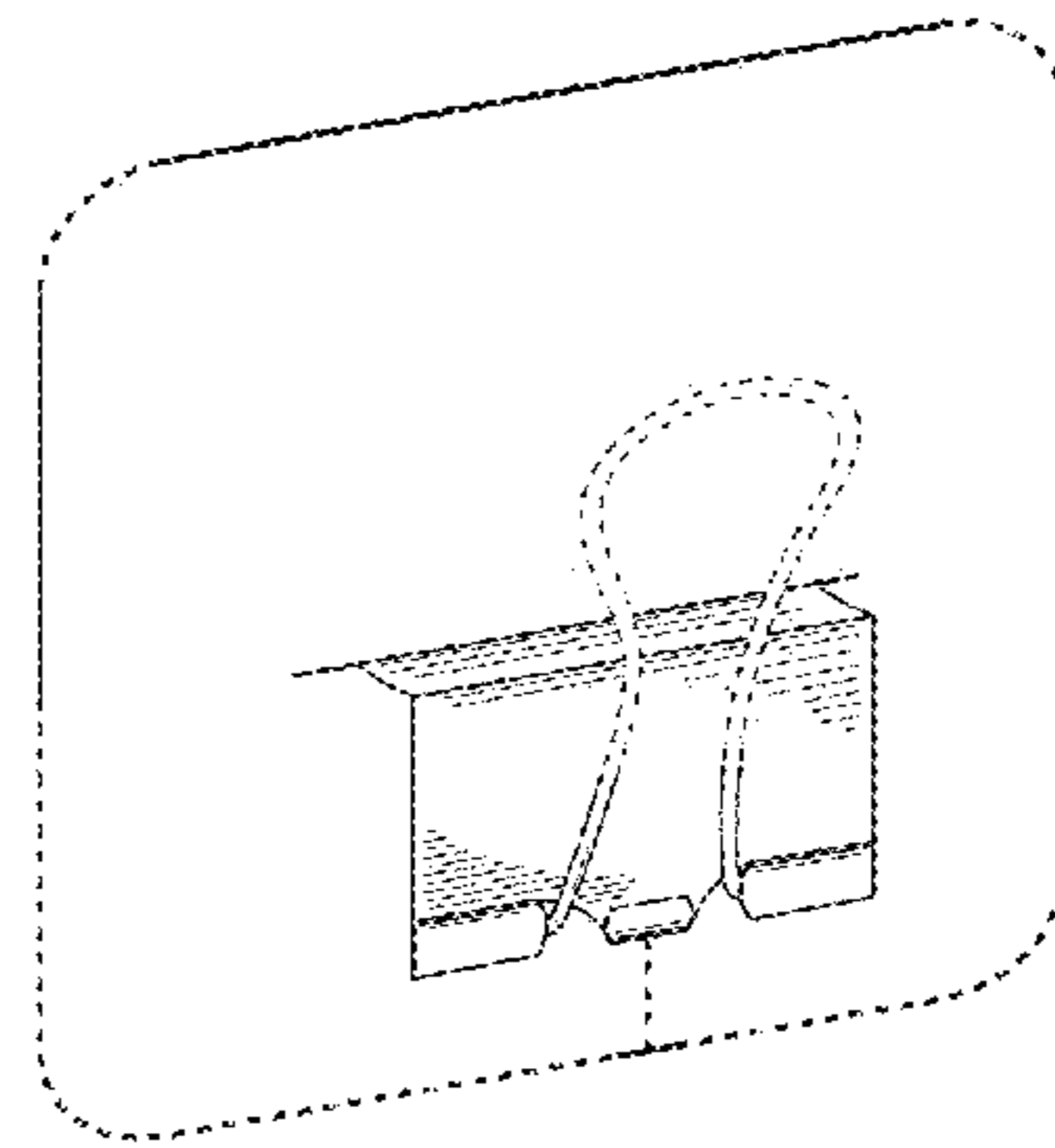


FIG. 11

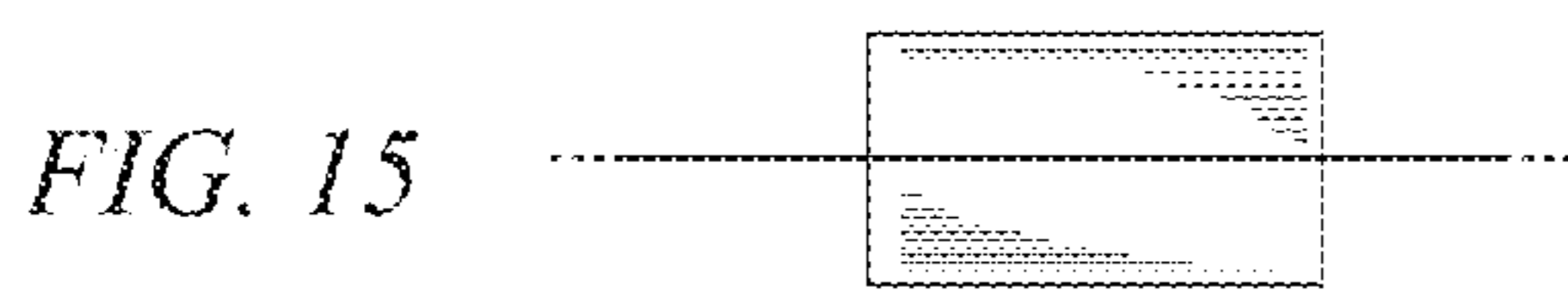


FIG. 15

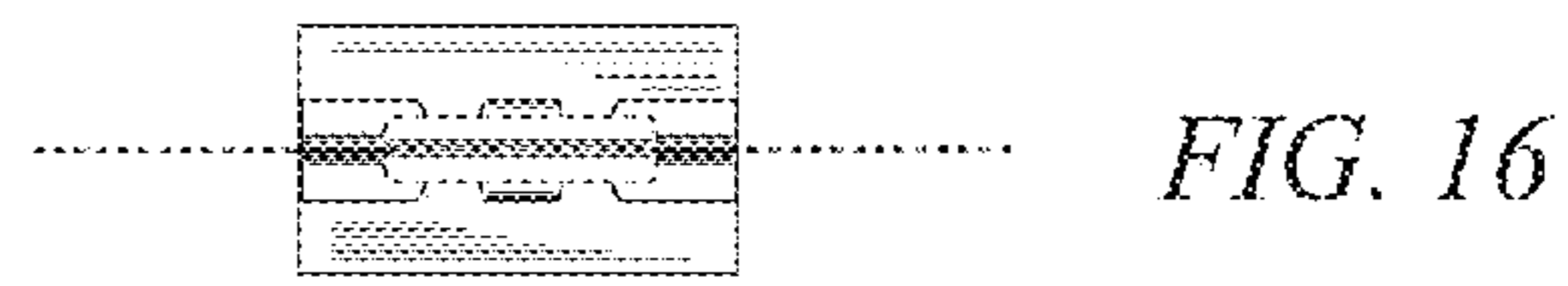


FIG. 16

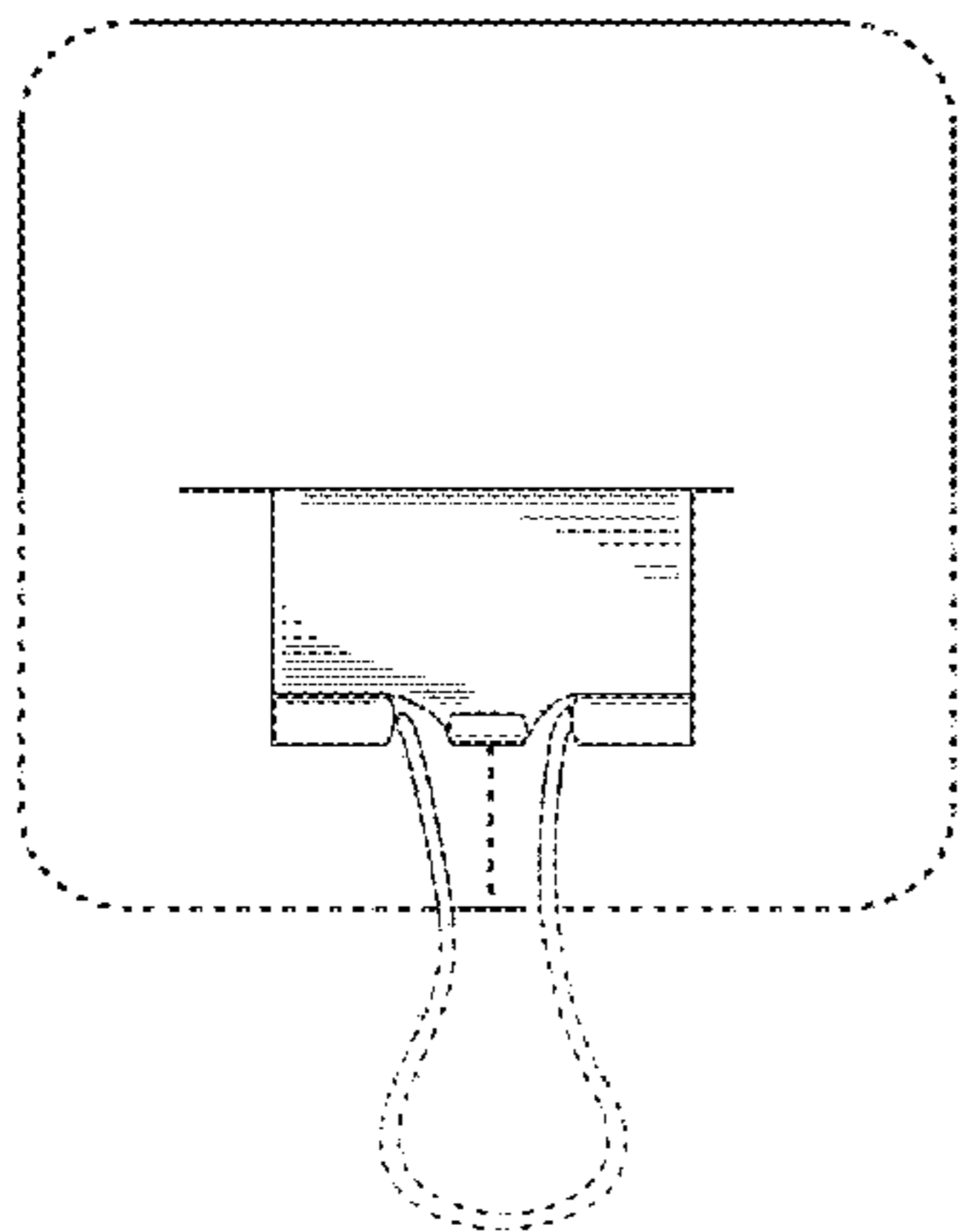


FIG. 12

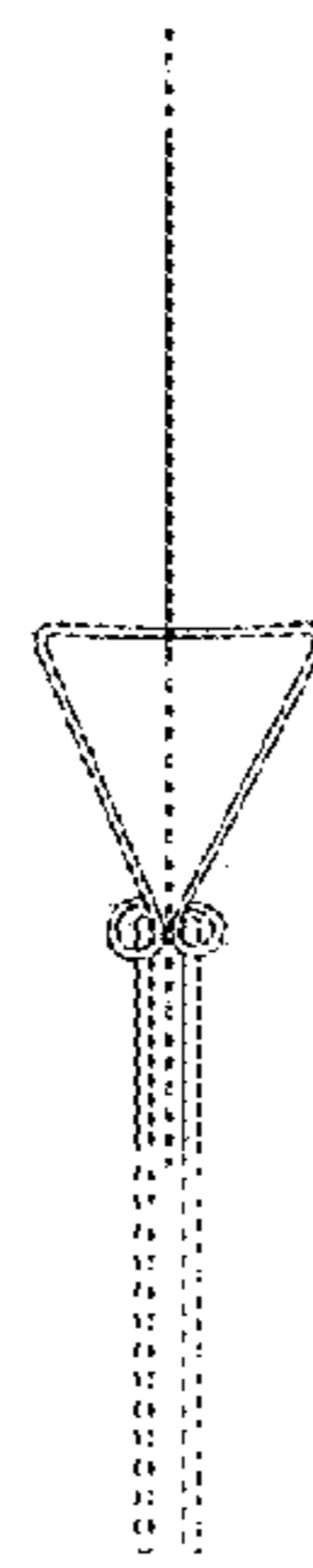


FIG. 13

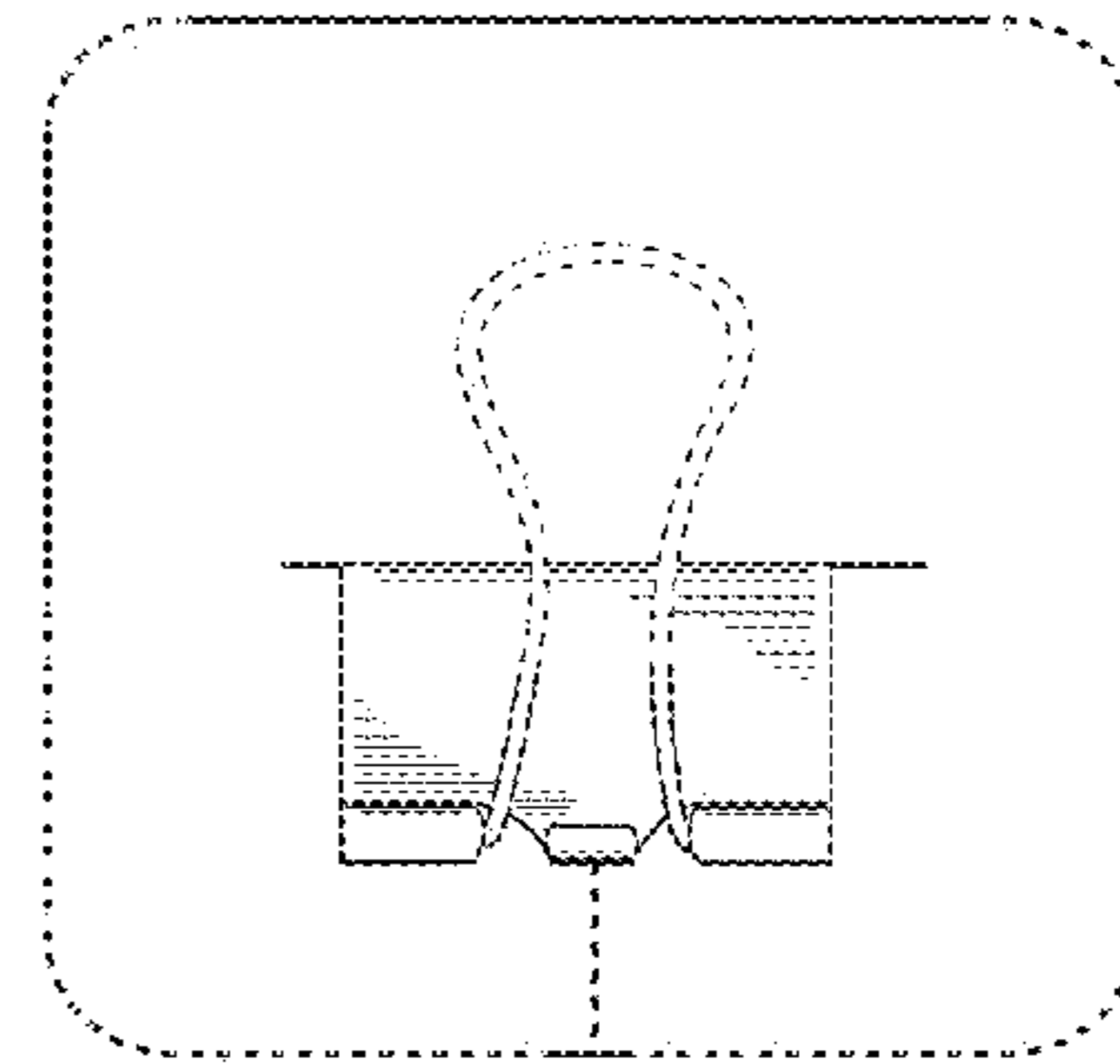


FIG. 14

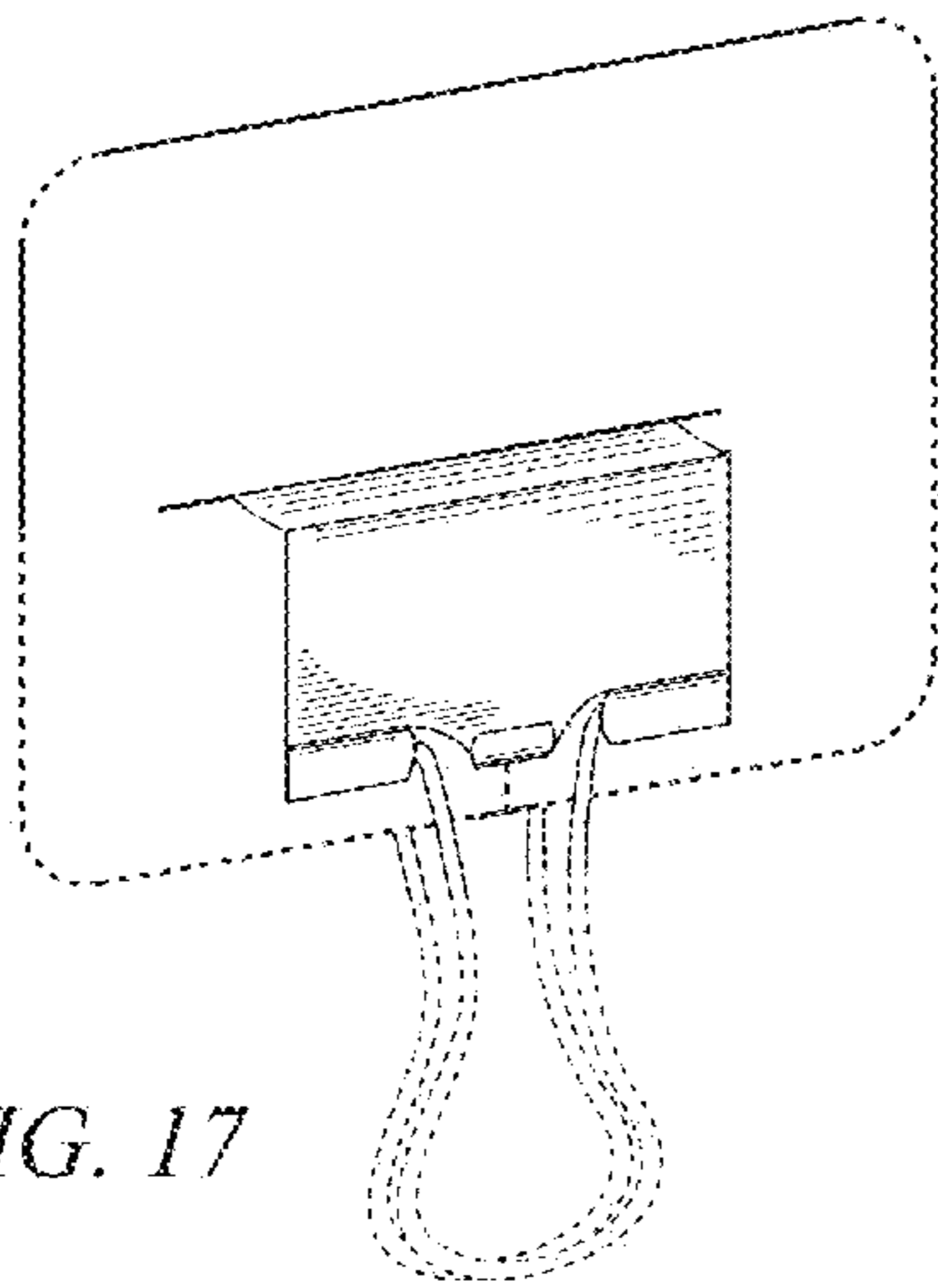


FIG. 17

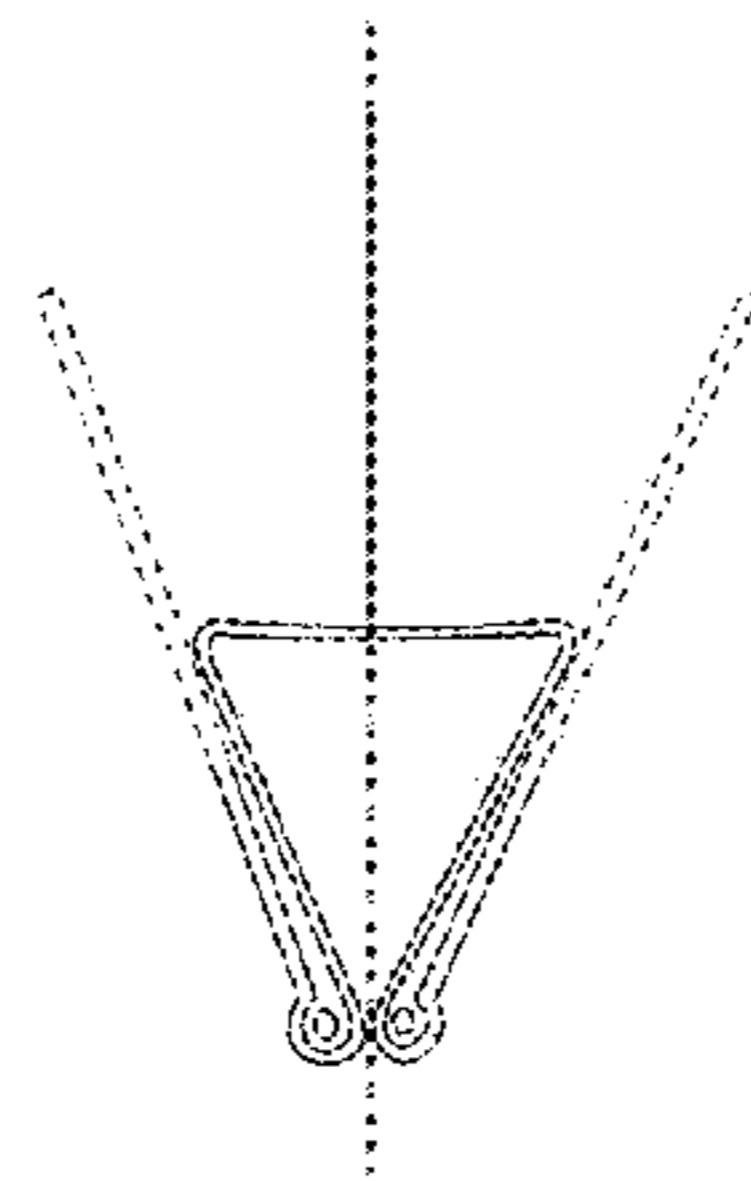


FIG. 18

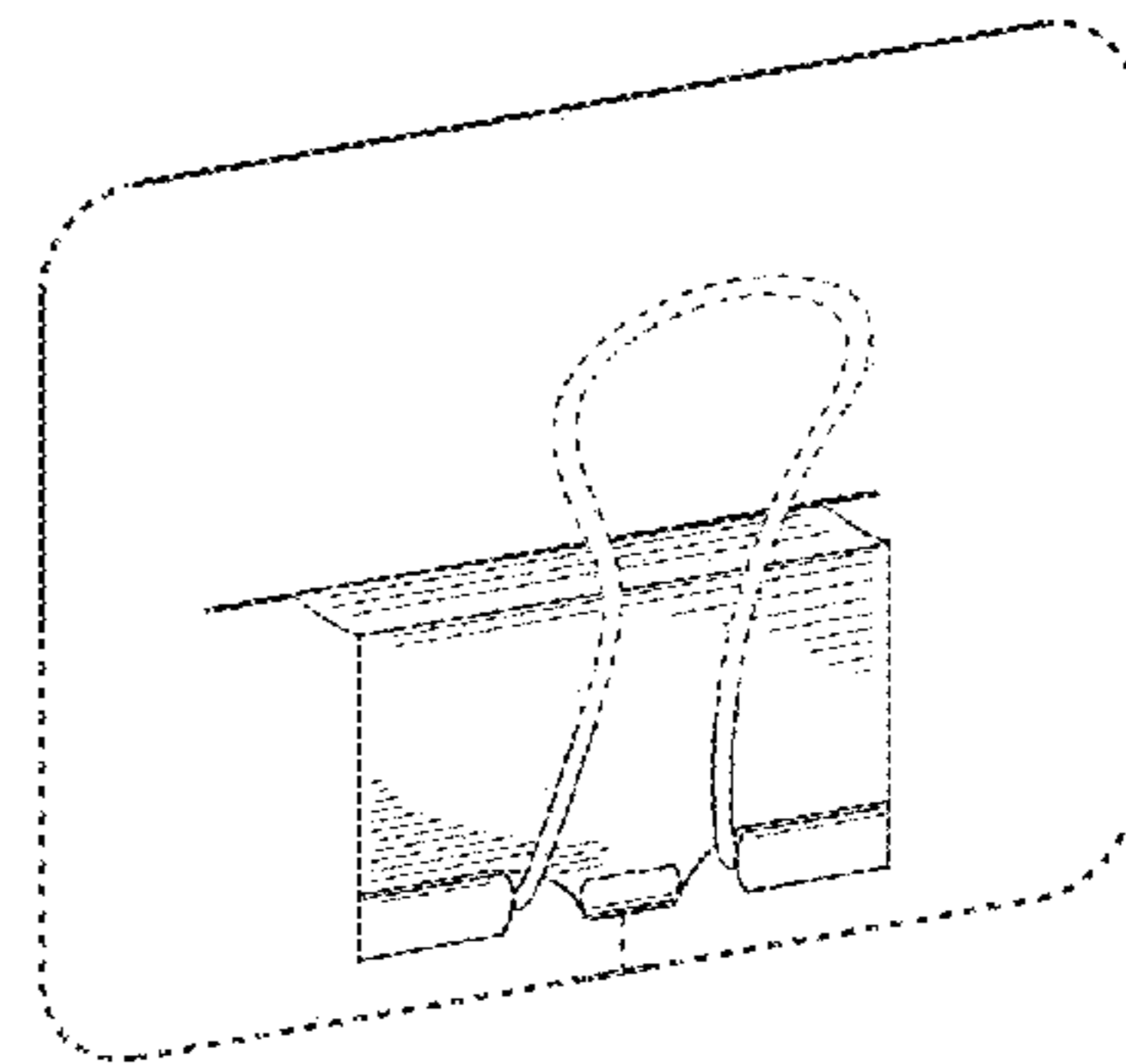


FIG. 19

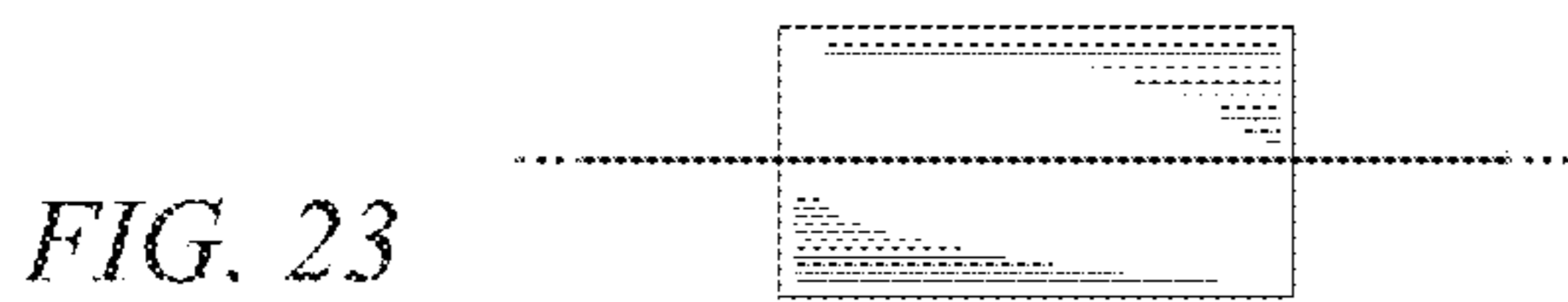


FIG. 23

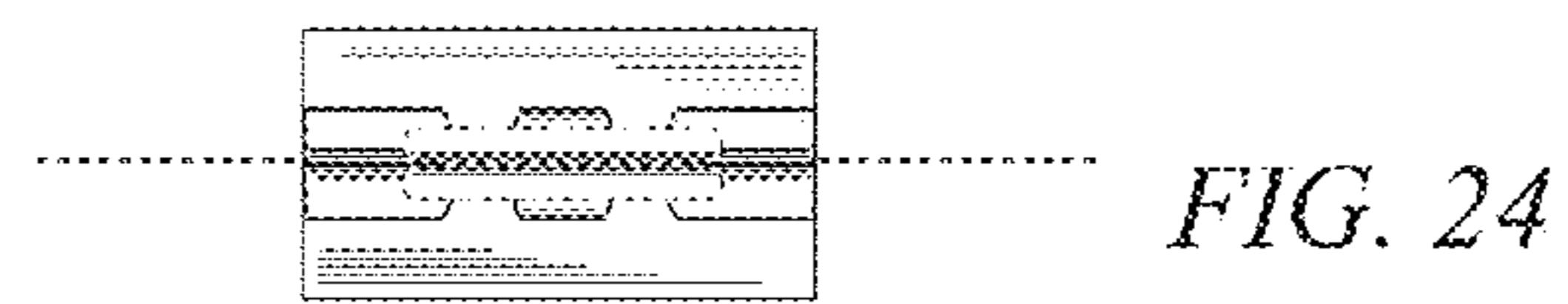


FIG. 24

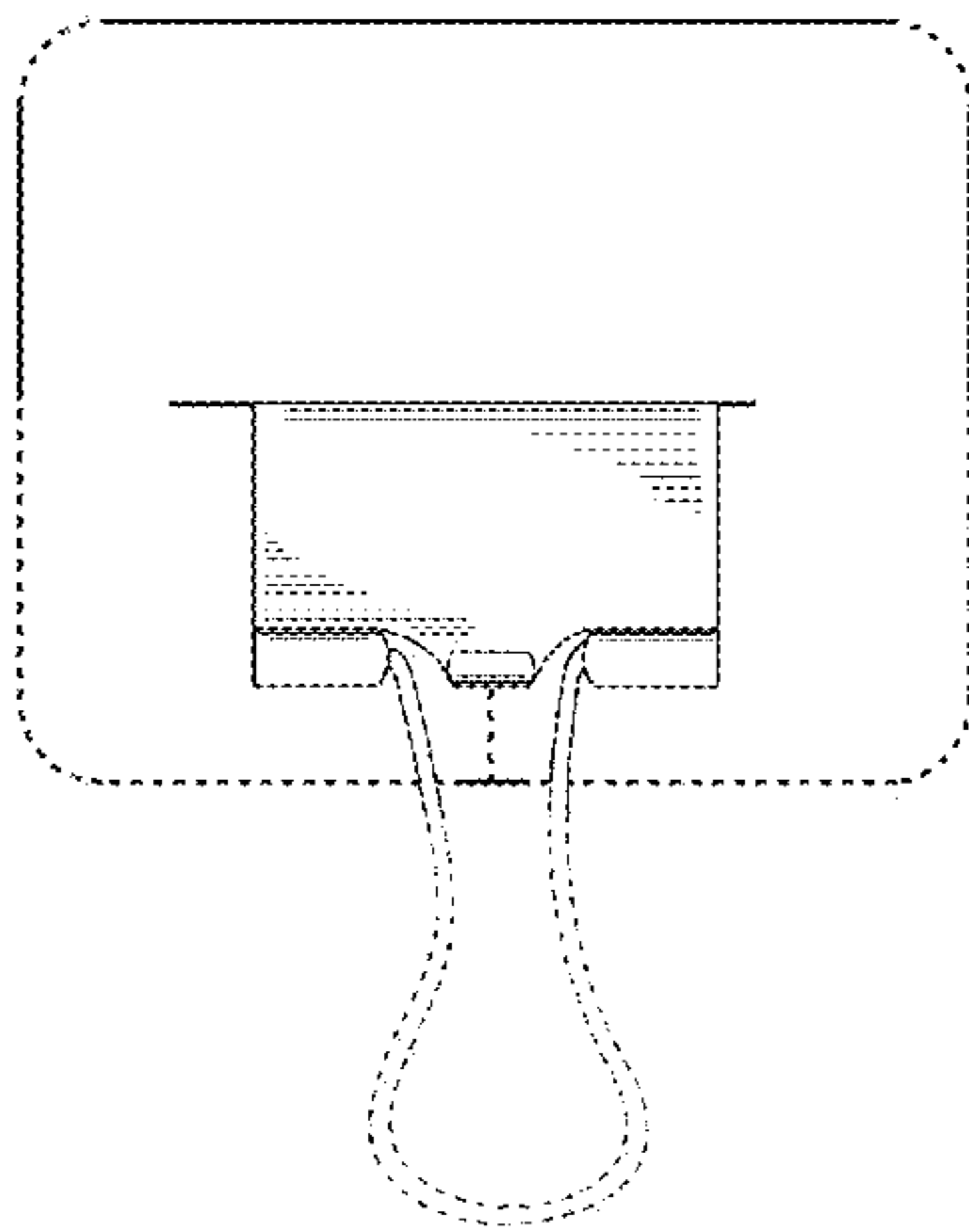


FIG. 20

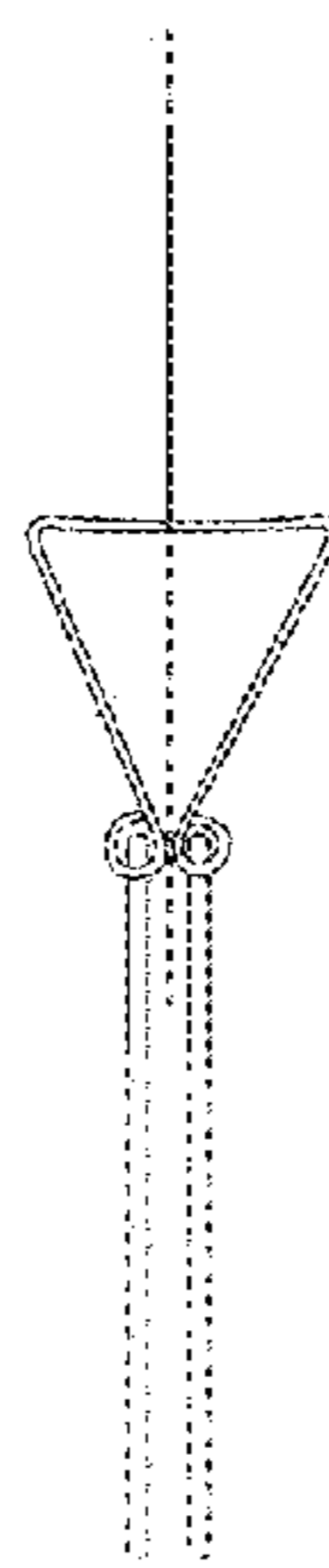


FIG. 21

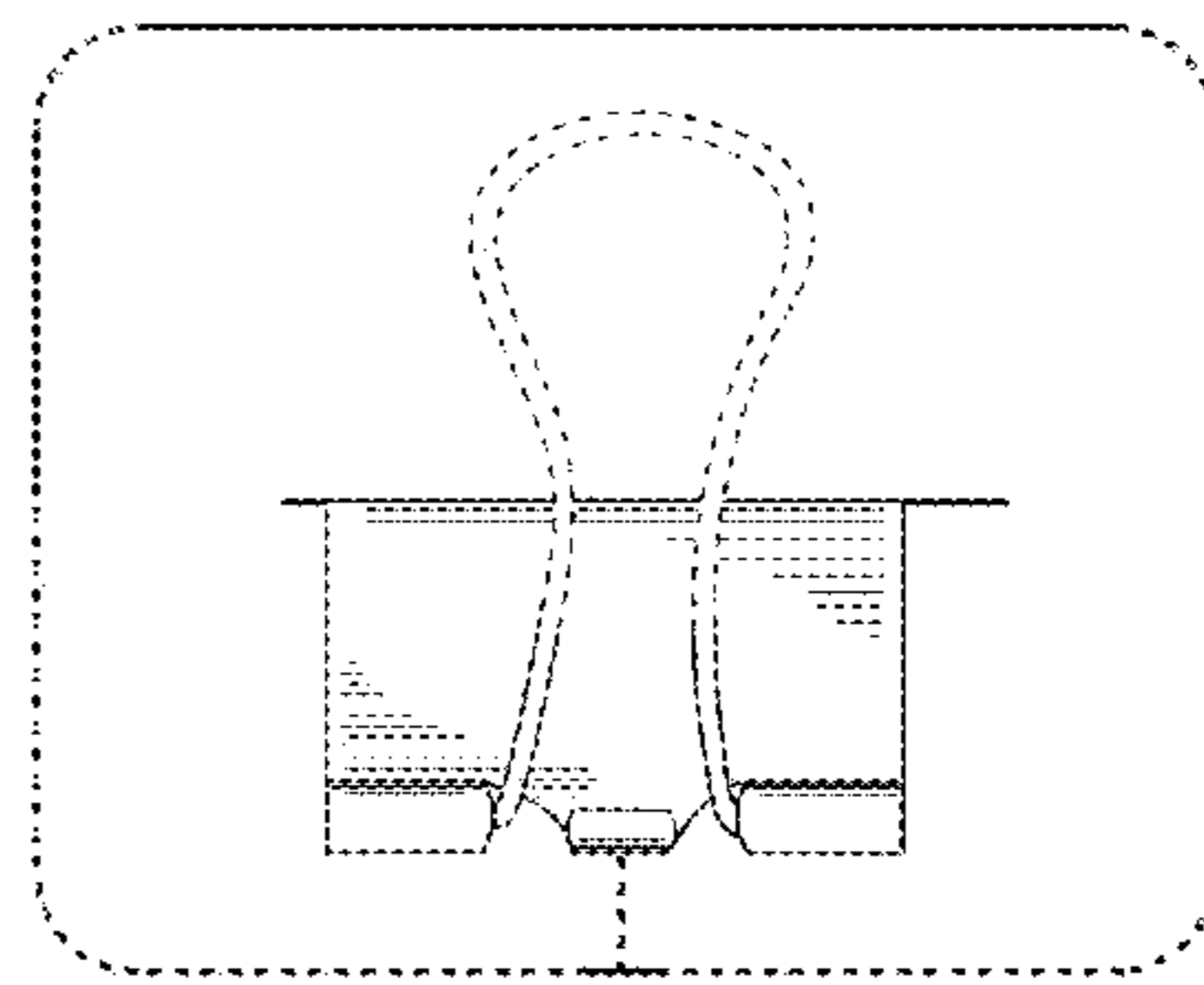


FIG. 22

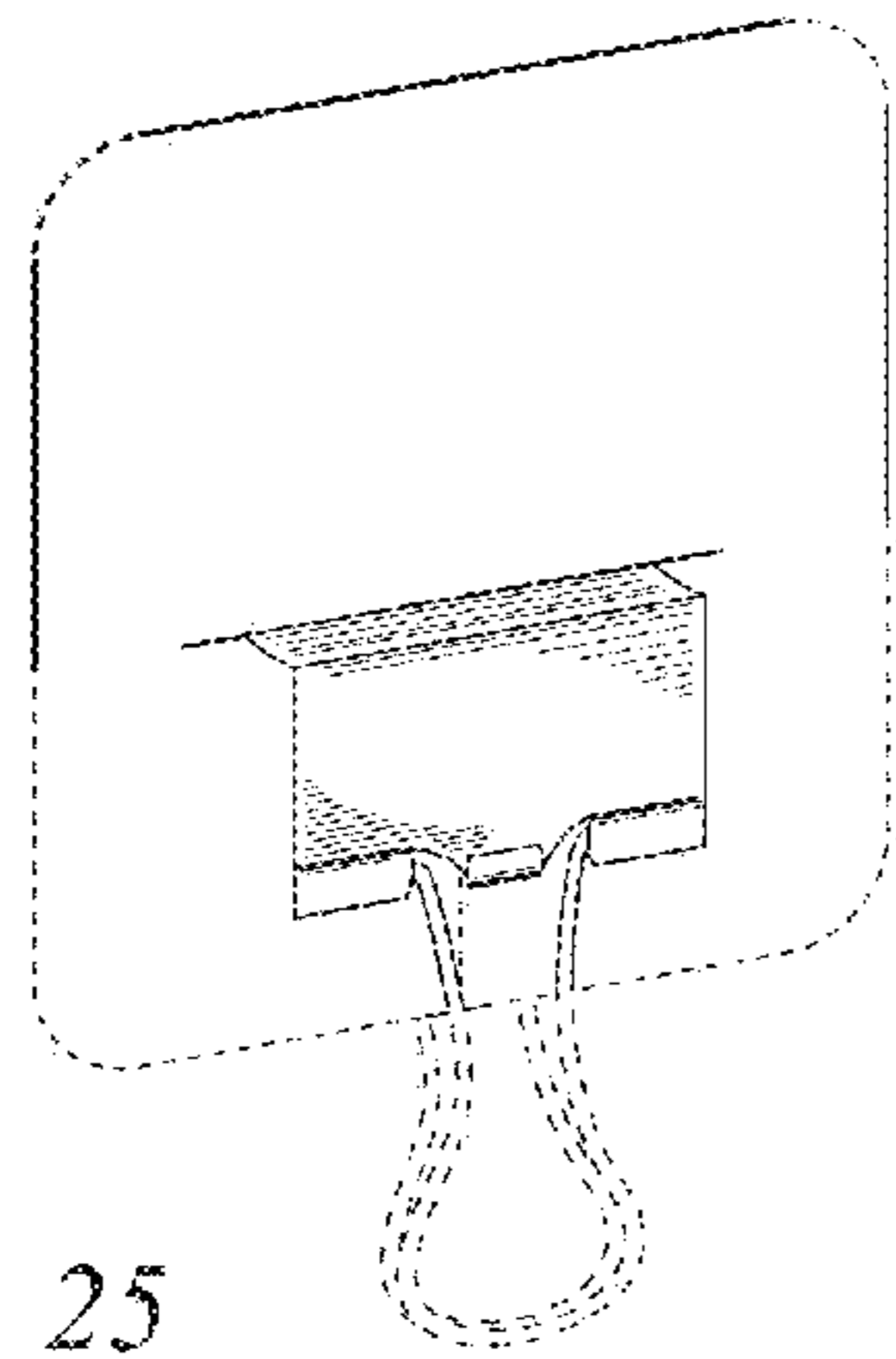


FIG. 25

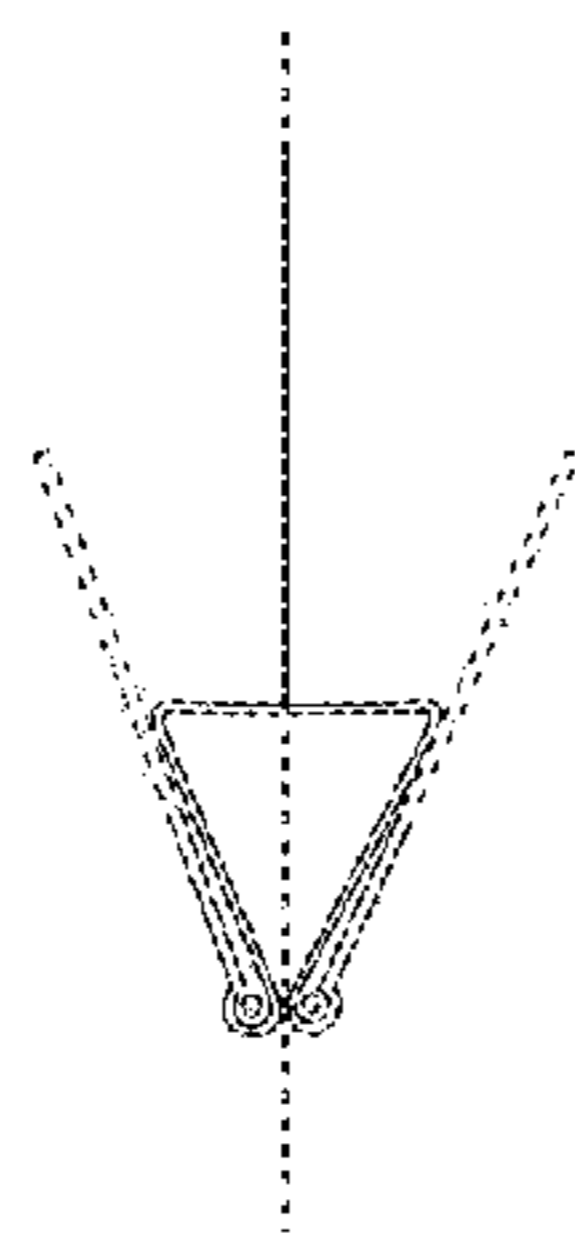


FIG. 26

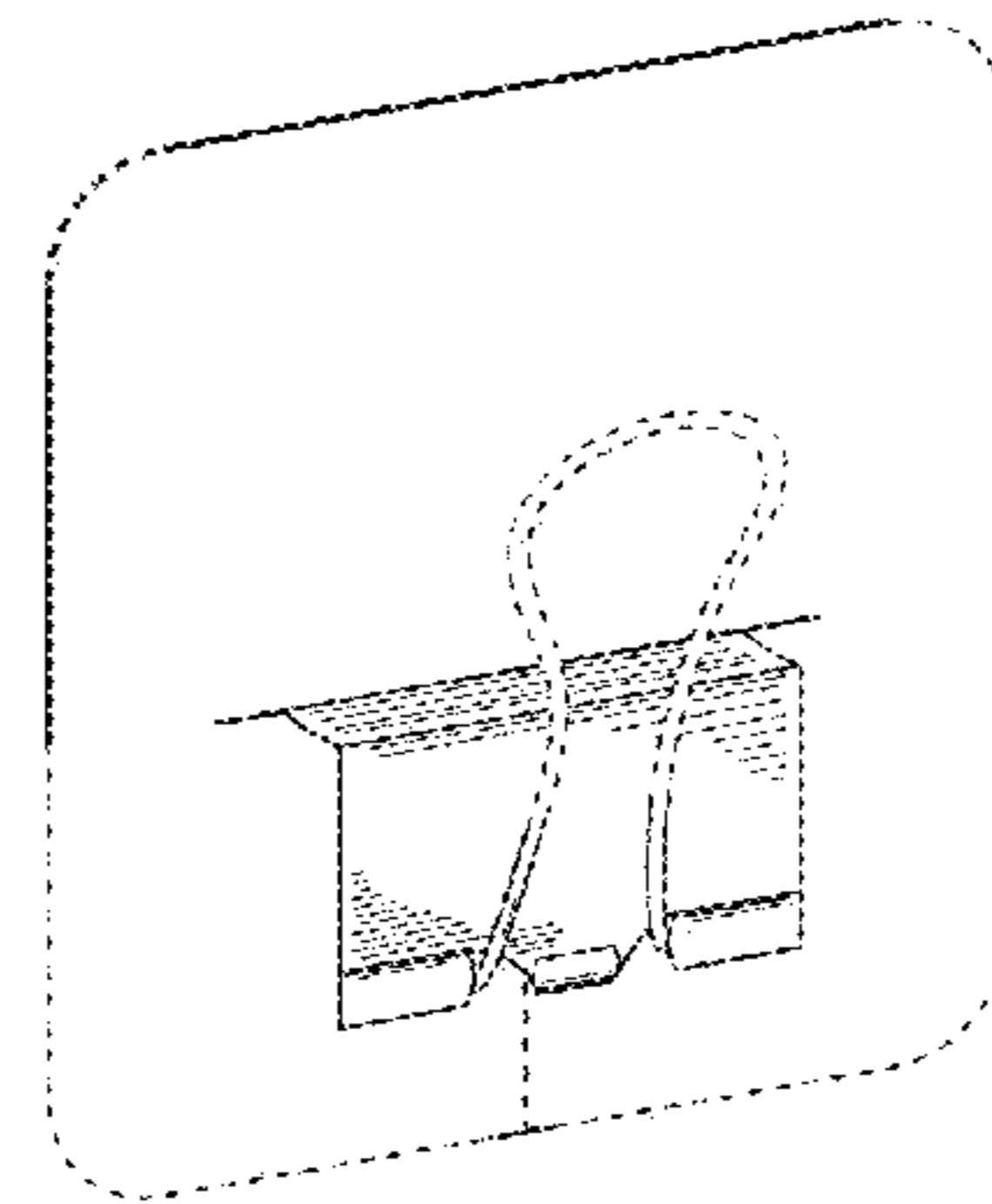


FIG. 27

FIG. 31

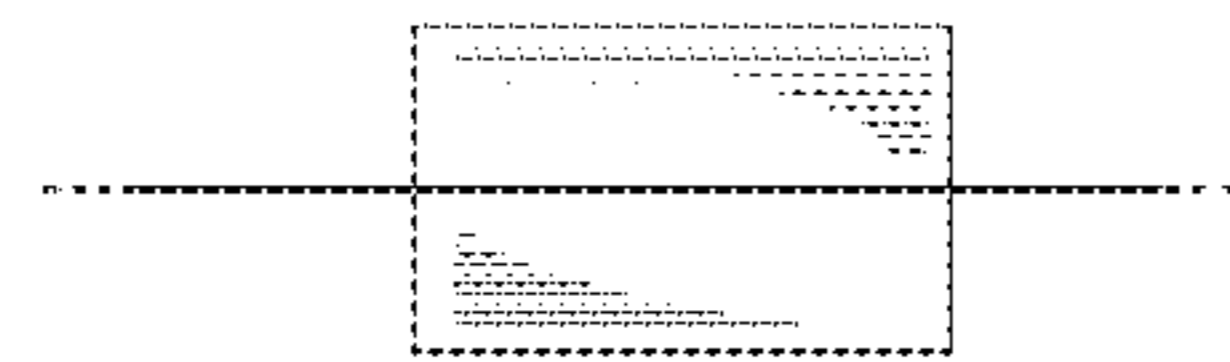


FIG. 32

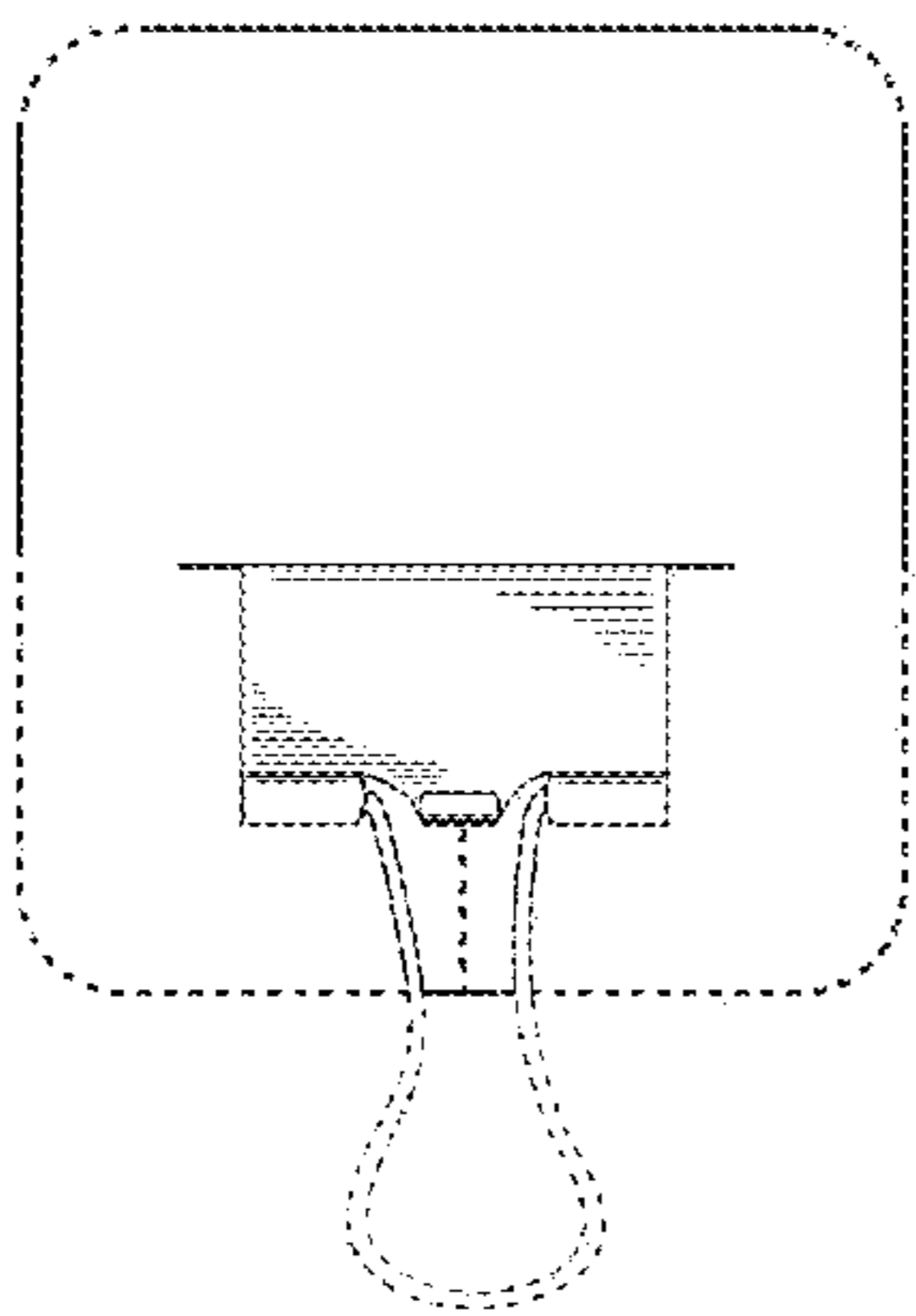


FIG. 28

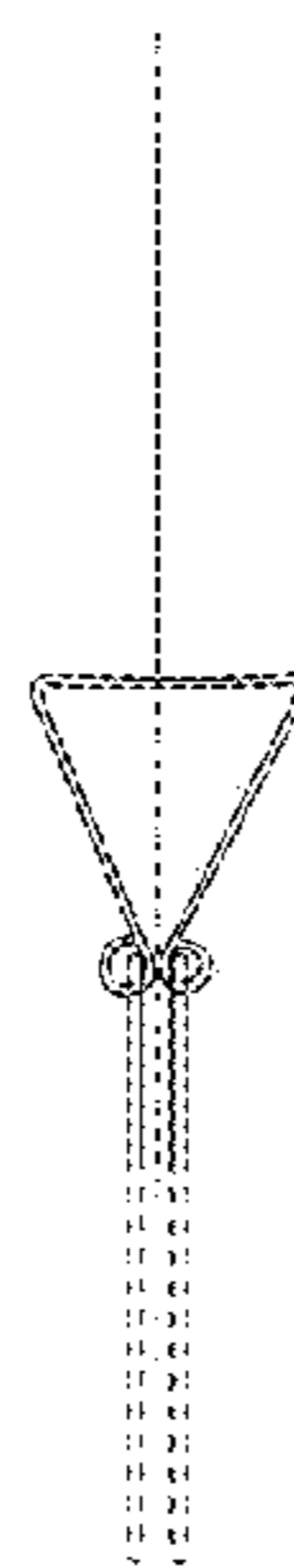


FIG. 29

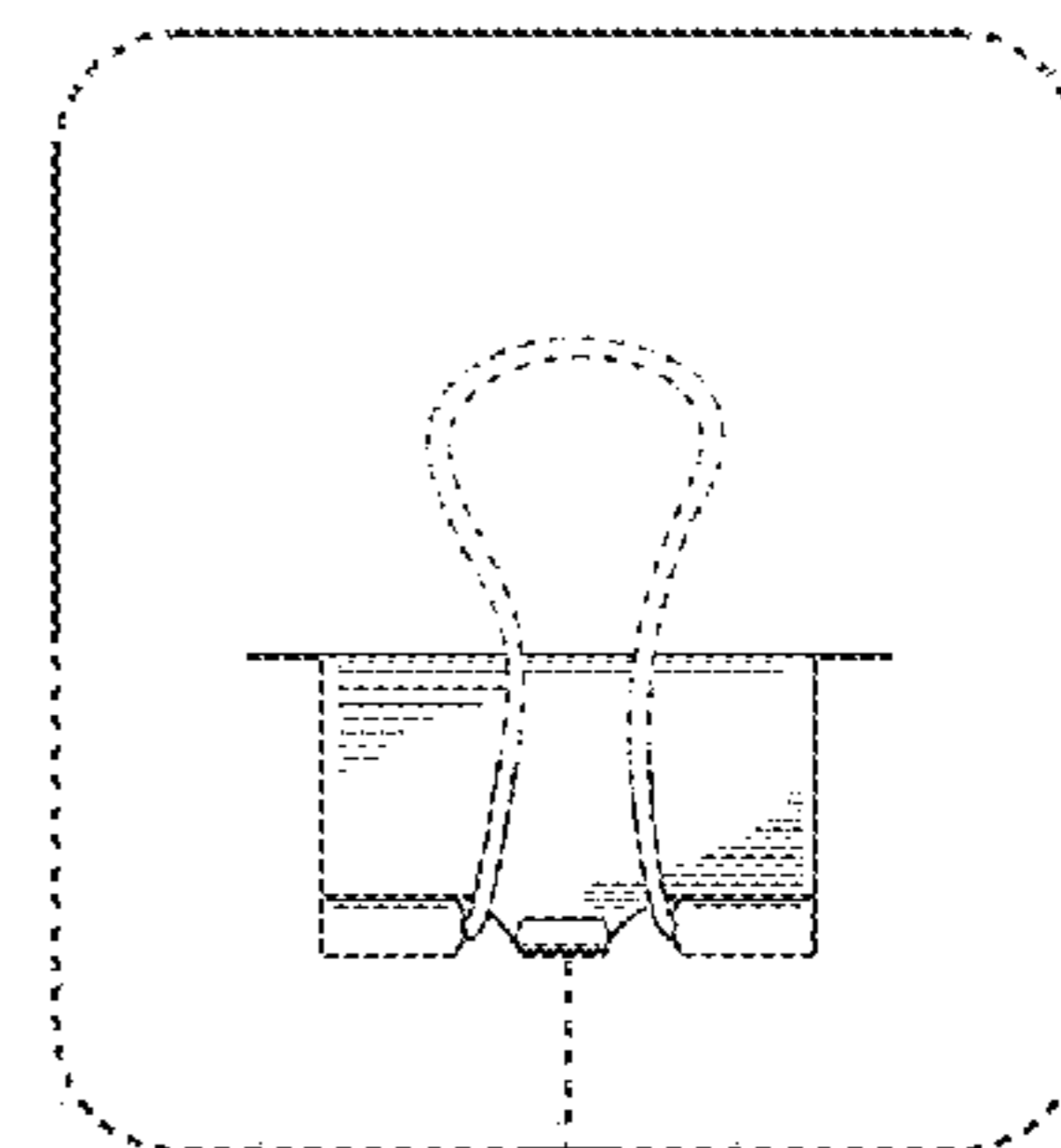


FIG. 30

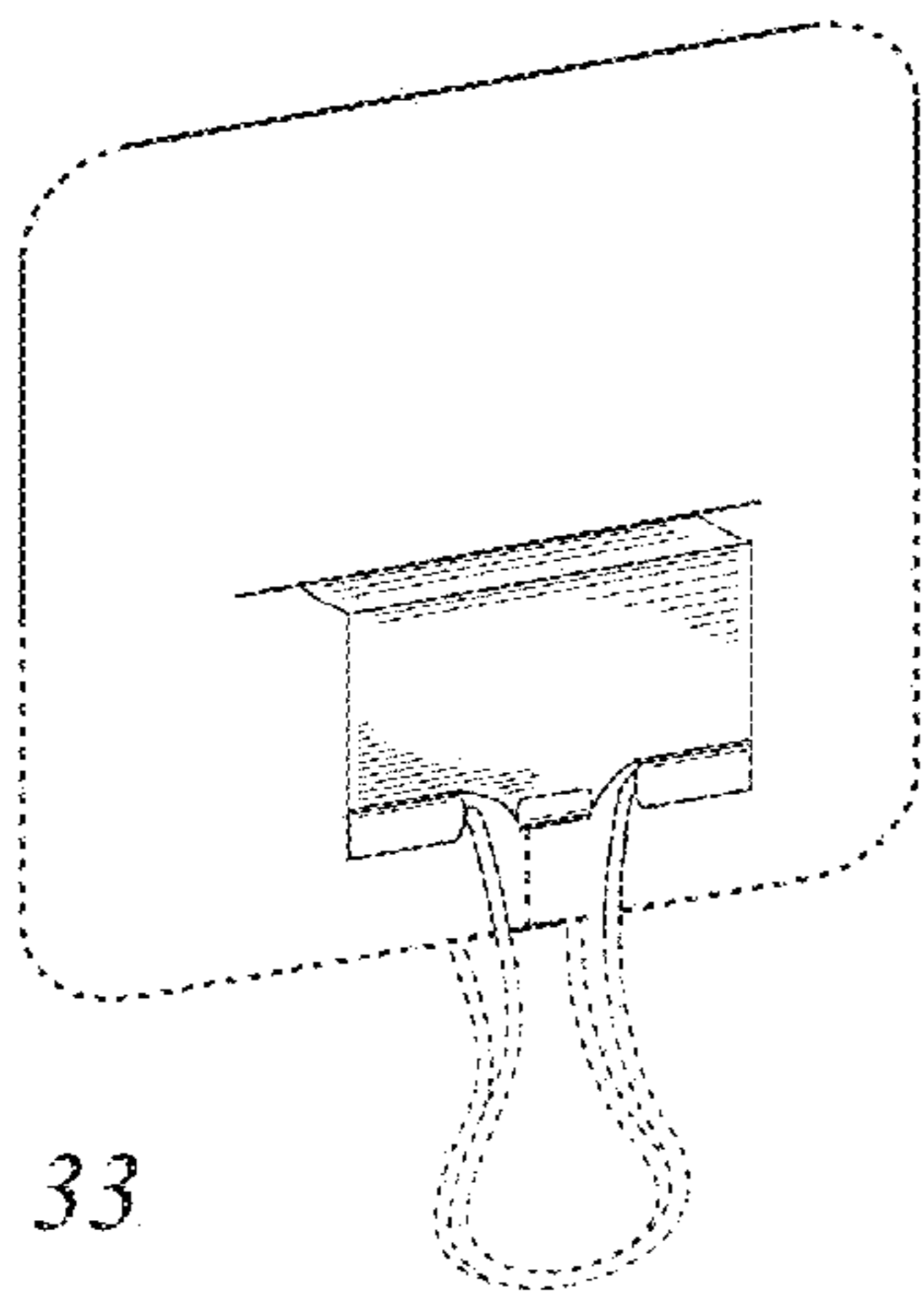


FIG. 33

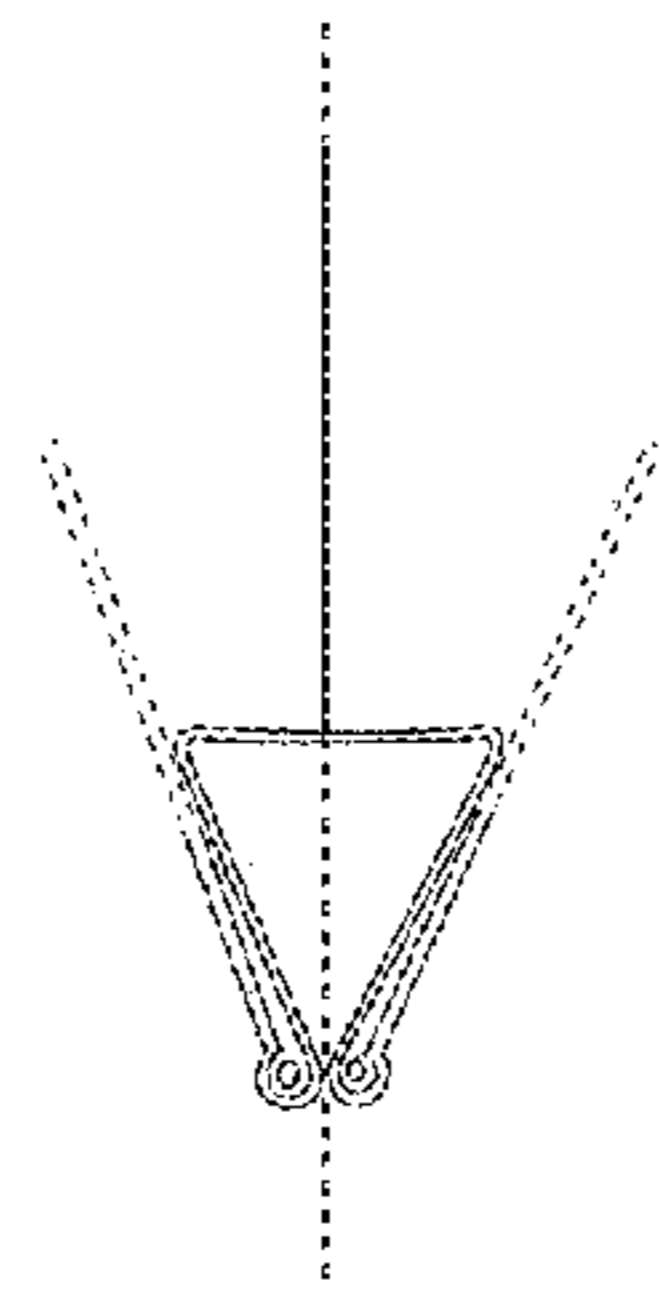


FIG. 34

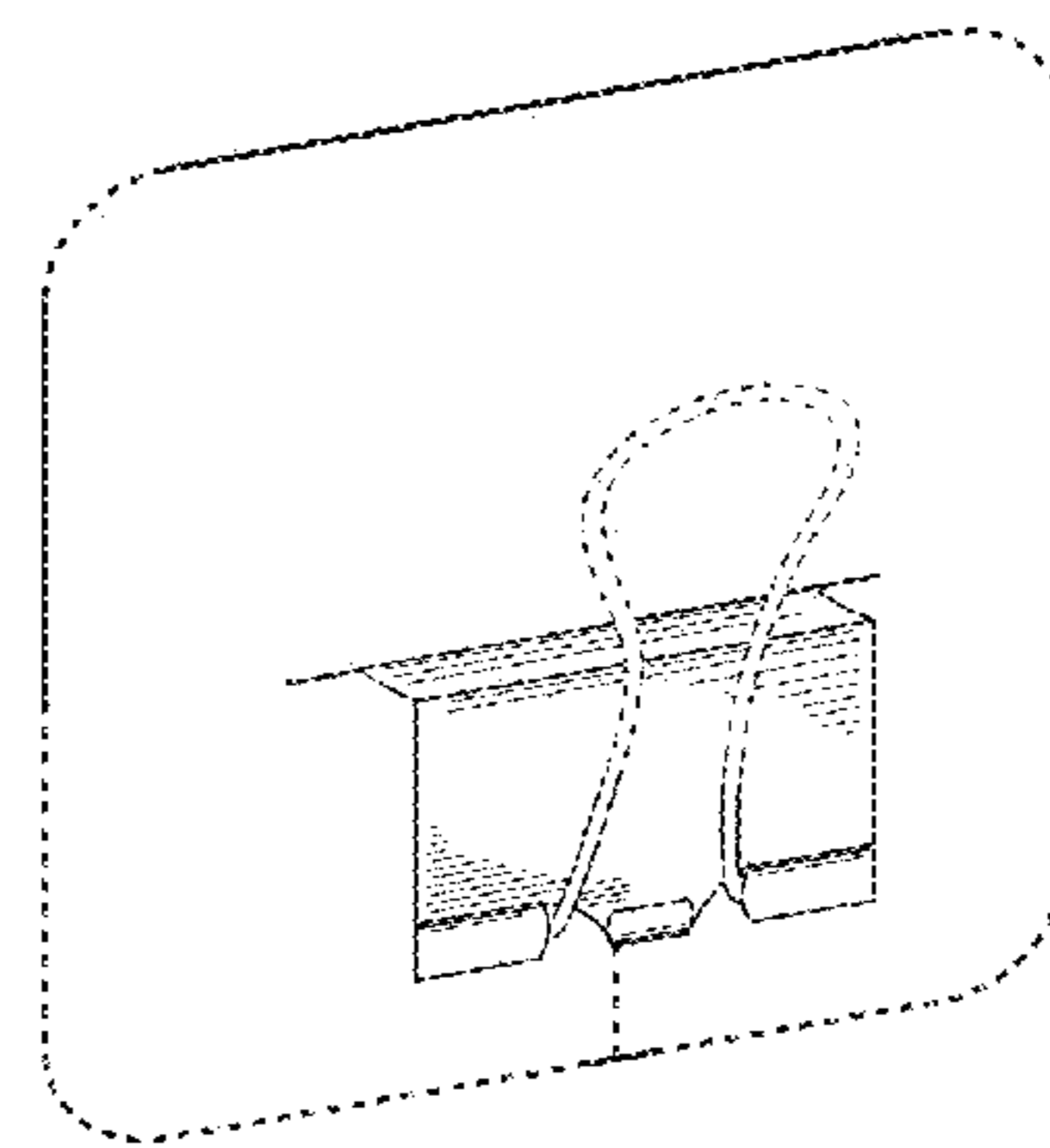


FIG. 35

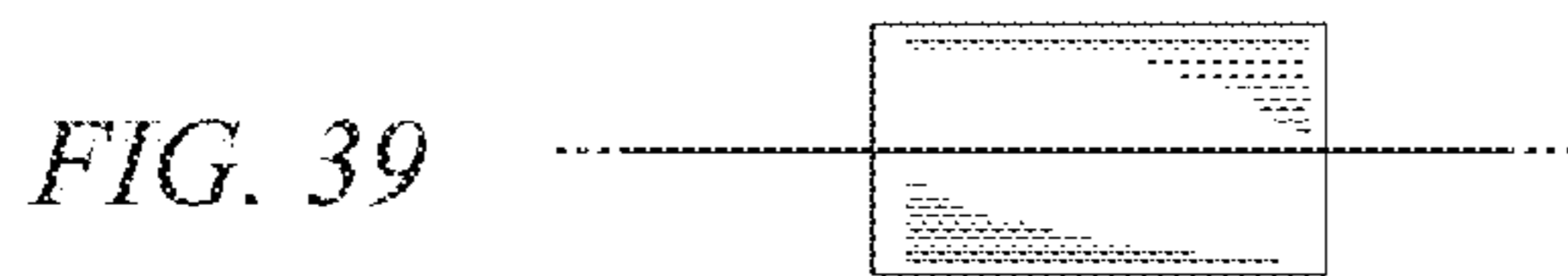


FIG. 39

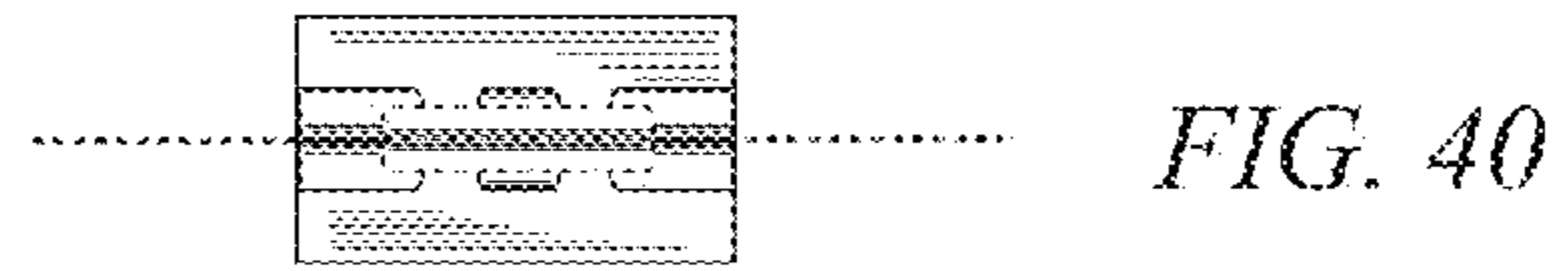


FIG. 40

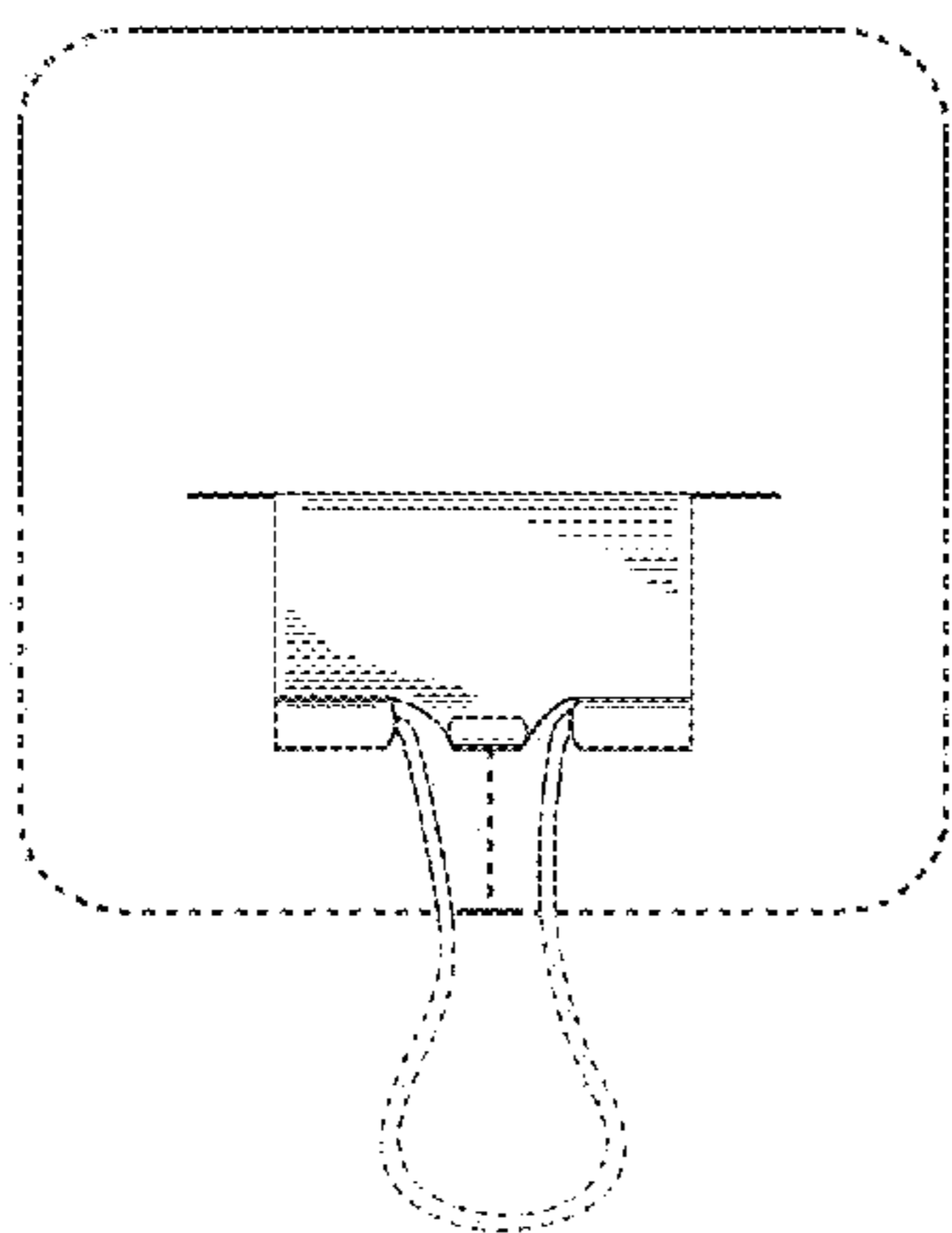


FIG. 36

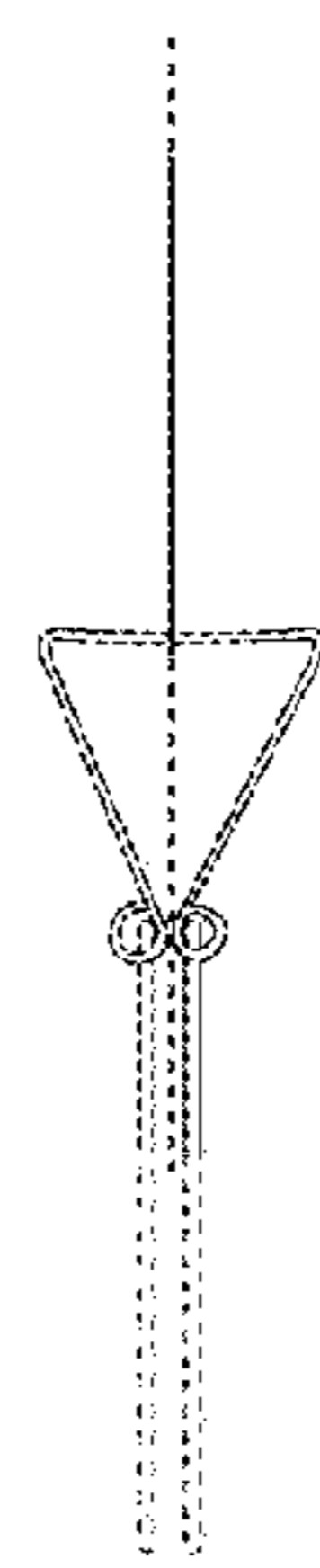


FIG. 37

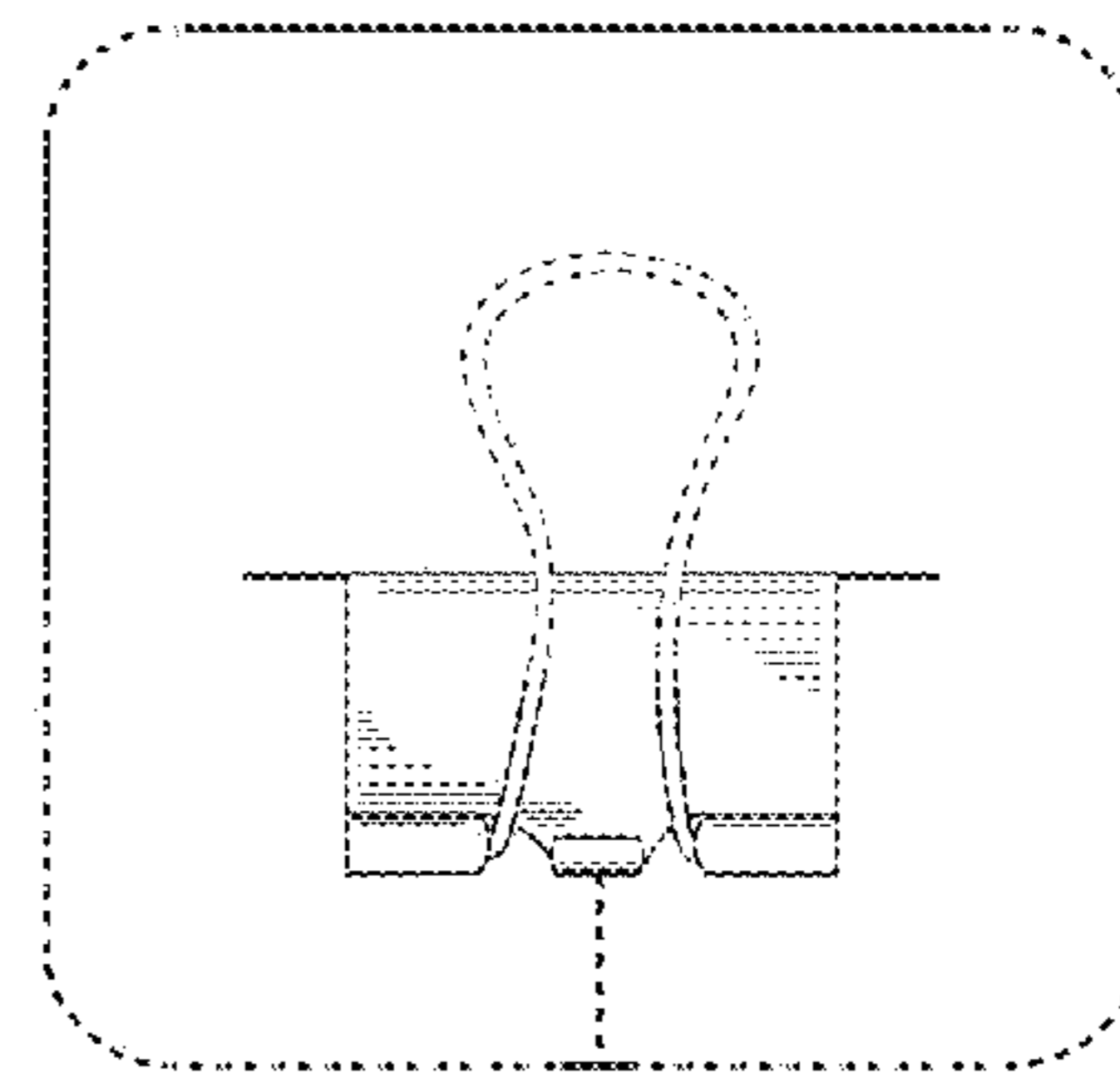


FIG. 38

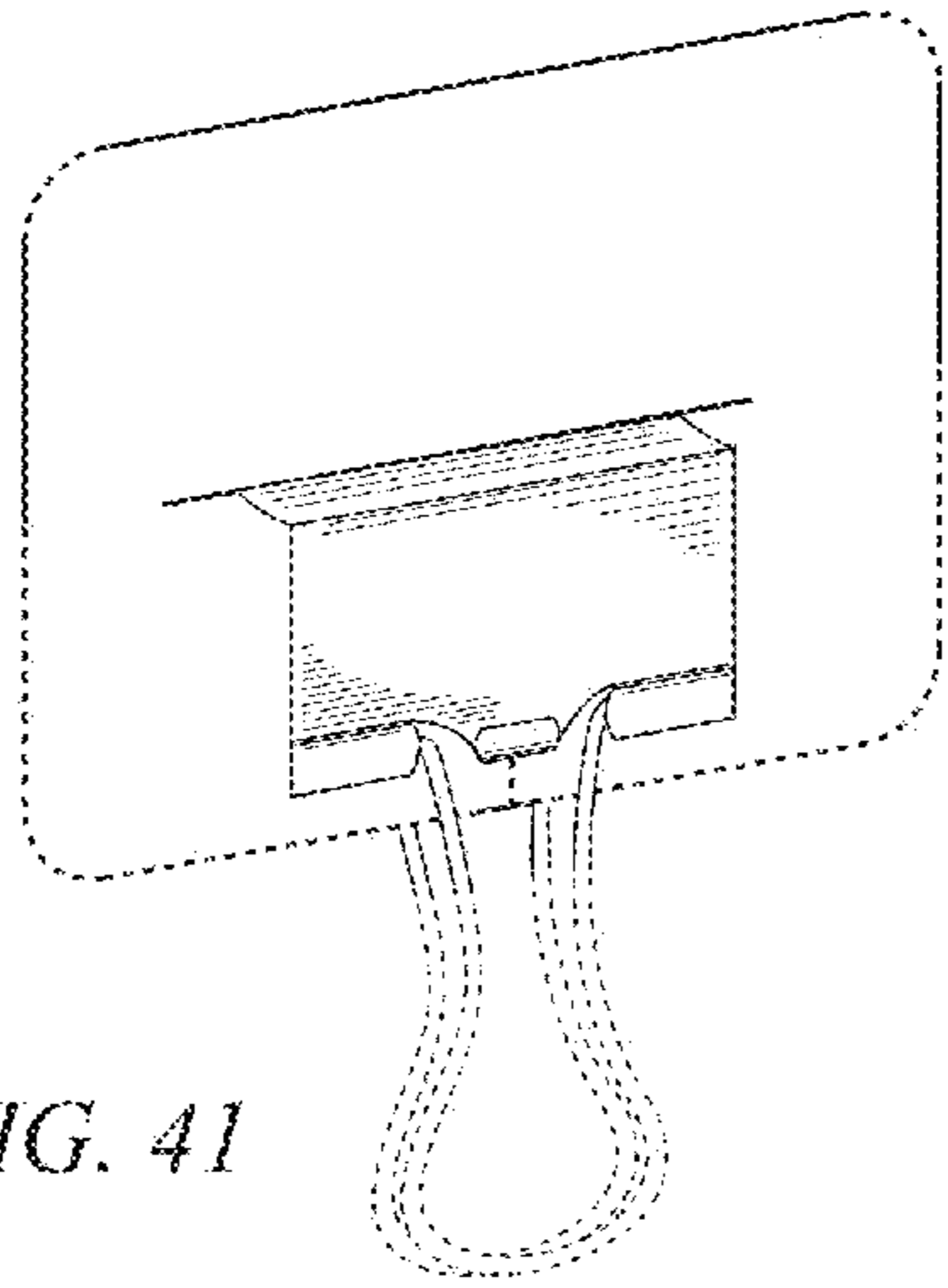


FIG. 41

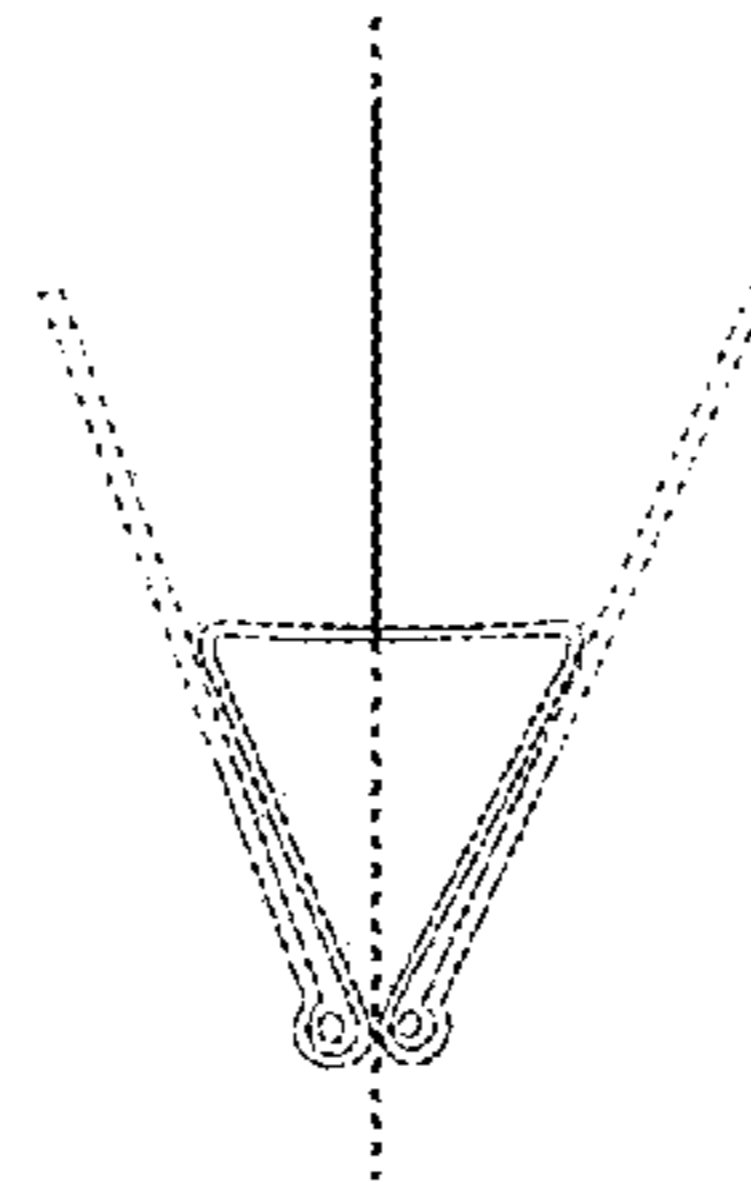


FIG. 42

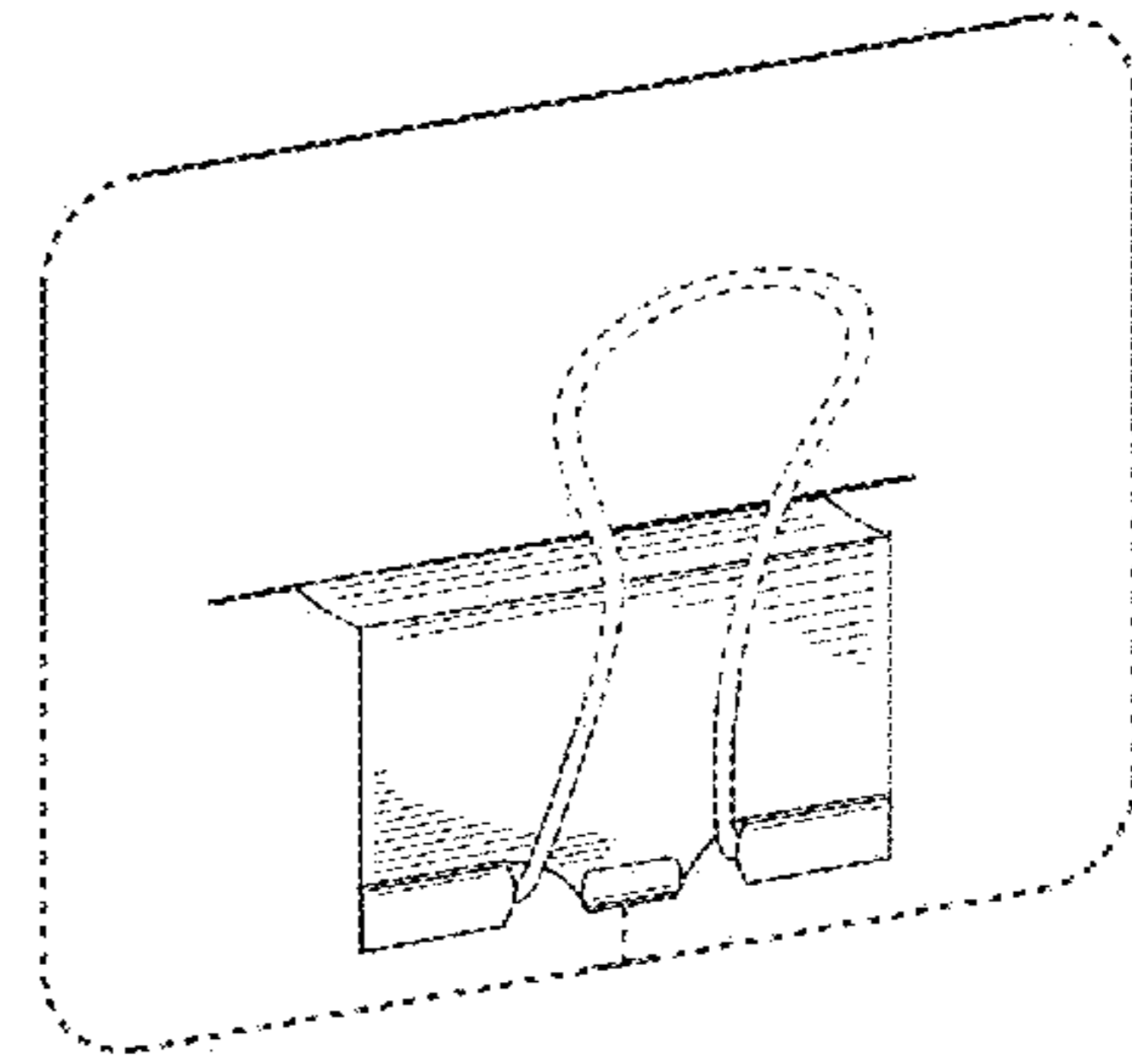


FIG. 43

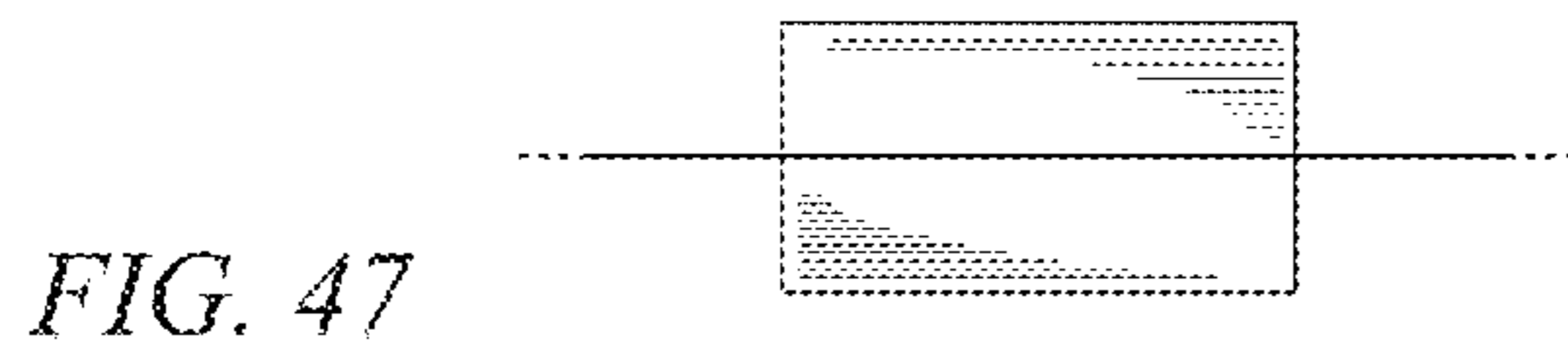


FIG. 47



FIG. 48

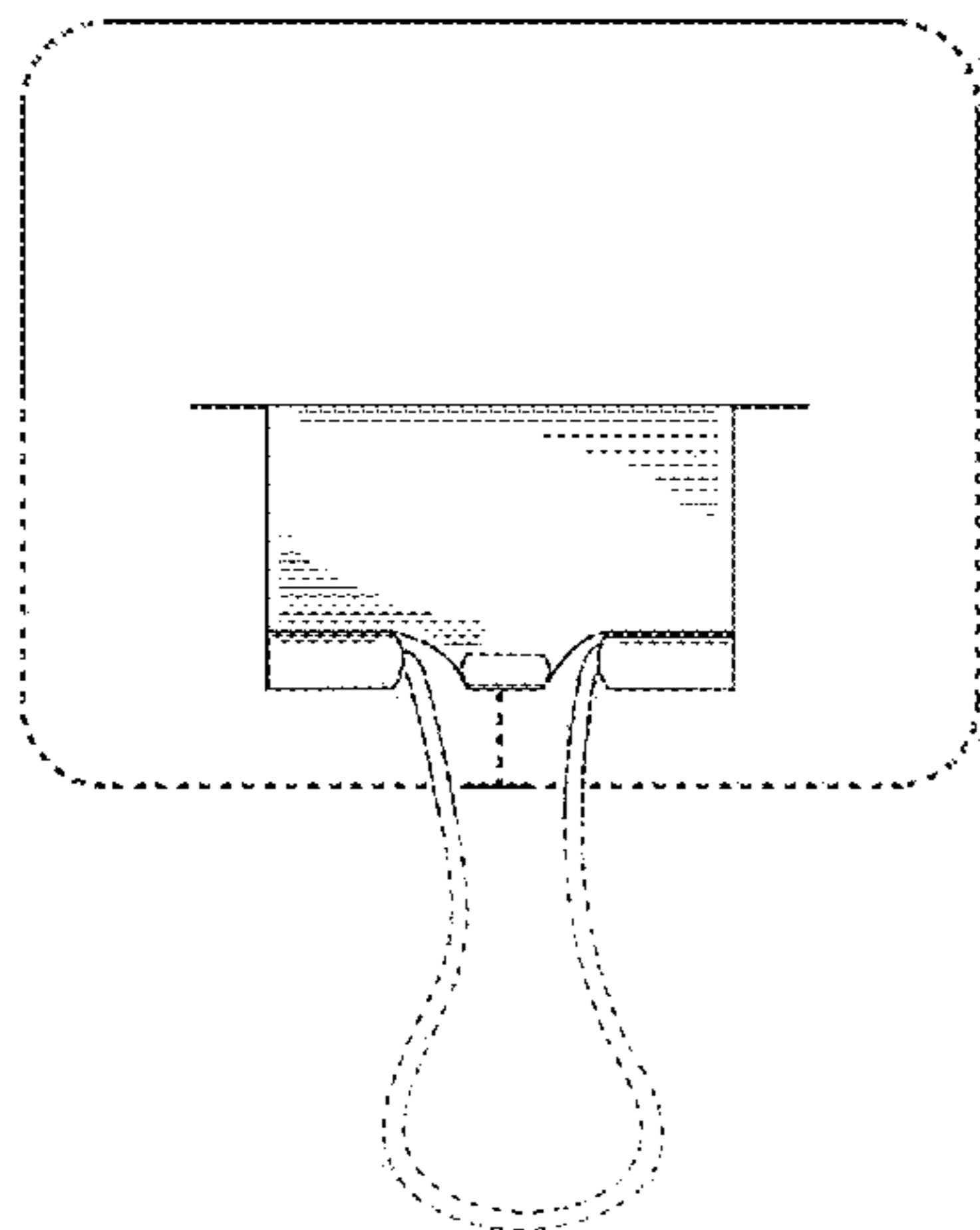


FIG. 44

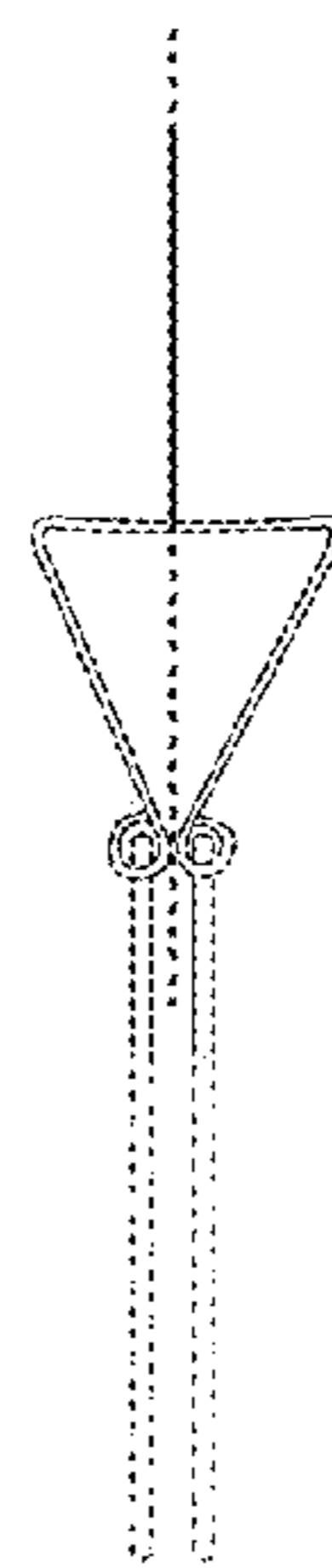


FIG. 45

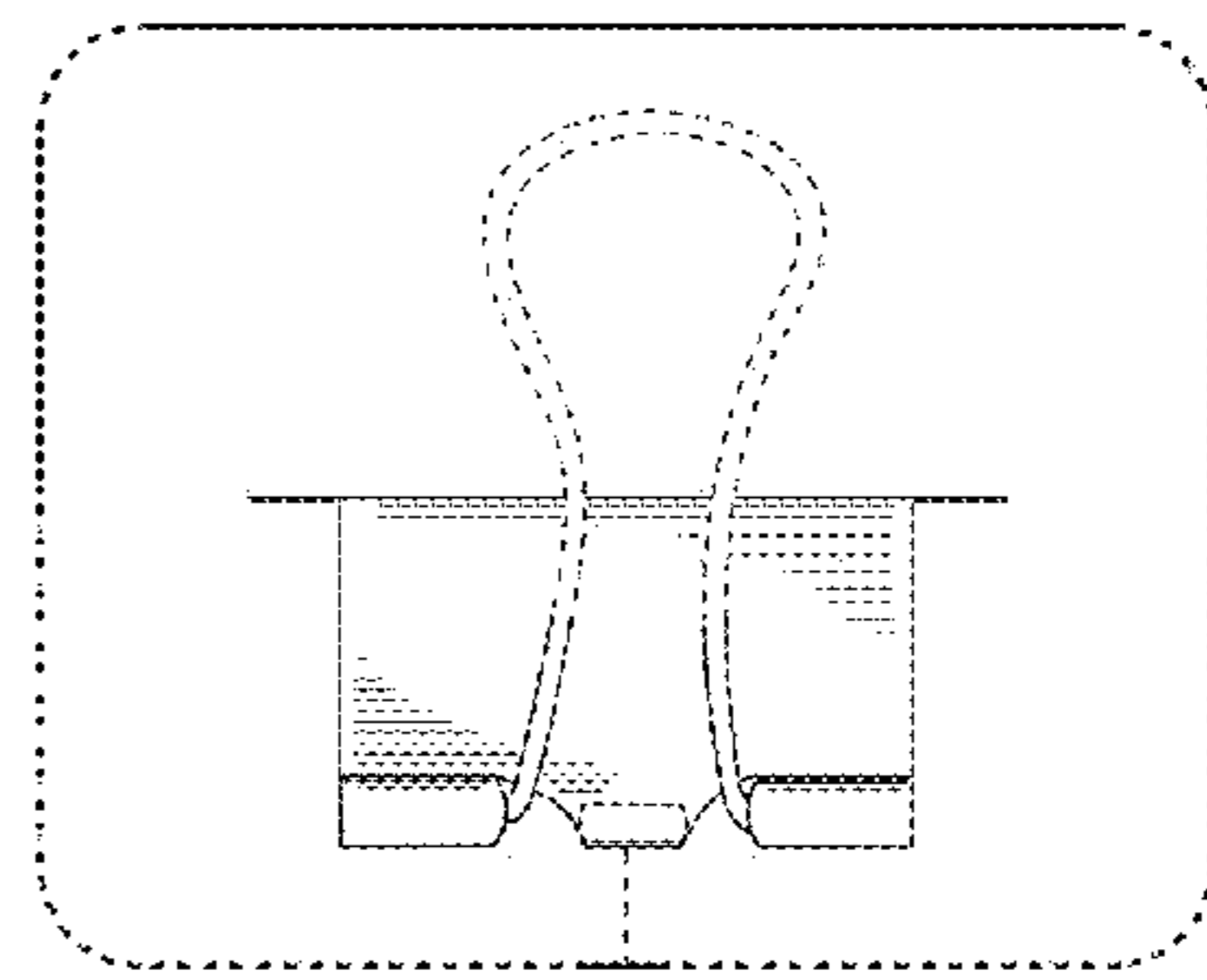


FIG. 46