



US00D681728S

(12) **United States Design Patent**
Takagi et al.

(10) **Patent No.:** **US D681,728 S**
(45) **Date of Patent:** **** May 7, 2013**

(54) **INK CARTRIDGE**

(75) Inventors: **Yuki Takagi**, Nagoya (JP); **Tomohiro Kanbe**, Nagoya (JP)

(73) Assignee: **Brother Industries, Ltd.**, Nagoya (JP)

(**) Term: **14 Years**

(21) Appl. No.: **29/425,693**

(22) Filed: **Jun. 26, 2012**

(30) **Foreign Application Priority Data**

Dec. 27, 2011 (JP) 2011-30176

(51) **LOC (9) Cl.** **18-02**

(52) **U.S. Cl.**
USPC **D18/56; 347/86**

(58) **Field of Classification Search** D18/56;
347/86-87

See application file for complete search history.

(56) **References Cited**

U.S. PATENT DOCUMENTS

D423,564 S	4/2000	Canfield et al.
D465,516 S	11/2002	Shinada et al.
D466,151 S	11/2002	Shinada et al.
D538,337 S	3/2007	Hattori et al.
D540,857 S	4/2007	Hattori
D541,334 S	4/2007	Hattori et al.
D541,337 S	4/2007	Hattori
D541,851 S	5/2007	Hattori et al.
D541,852 S	5/2007	Hattori et al.
D542,341 S	5/2007	Hattori et al.
D542,342 S	5/2007	Hattori et al.
D542,343 S	5/2007	Hattori et al.
D542,839 S	5/2007	Hattori et al.
D543,234 S	5/2007	Hattori et al.

D543,235 S	5/2007	Hattori et al.	
D543,236 S	5/2007	Hattori	
D547,370 S	7/2007	Hattori et al.	
D547,797 S	7/2007	Hattori et al.	
D557,335 S	12/2007	Morino	
D570,408 S	6/2008	Morino	
D599,399 S	9/2009	Hattori	
D603,895 S	11/2009	Hattori	
D641,400 S	7/2011	Hattori	
D647,134 S	10/2011	Hattori	
D654,112 S	2/2012	Kanbe et al.	
D656,985 S	4/2012	Kanbe et al.	
D656,986 S	4/2012	Kanbe et al.	
D656,987 S	4/2012	Kanbe et al.	
D659,188 S *	5/2012	Kanbe et al. D18/56
2008/0239036 A1 *	10/2008	Hattori 347/86

* cited by examiner

Primary Examiner — Cathy A MacCormac

(74) *Attorney, Agent, or Firm* — Oliff & Berridge, PLC

(57) **CLAIM**

The ornamental design for an ink cartridge, as shown and described.

DESCRIPTION

FIG. 1 is a top, front, left-side perspective view of an ink cartridge;

FIG. 2 is a top, rear, right-side perspective view thereof;

FIG. 3 is a front view thereof;

FIG. 4 is a top view thereof;

FIG. 5 is a right-side view thereof;

FIG. 6 is a left-side view thereof;

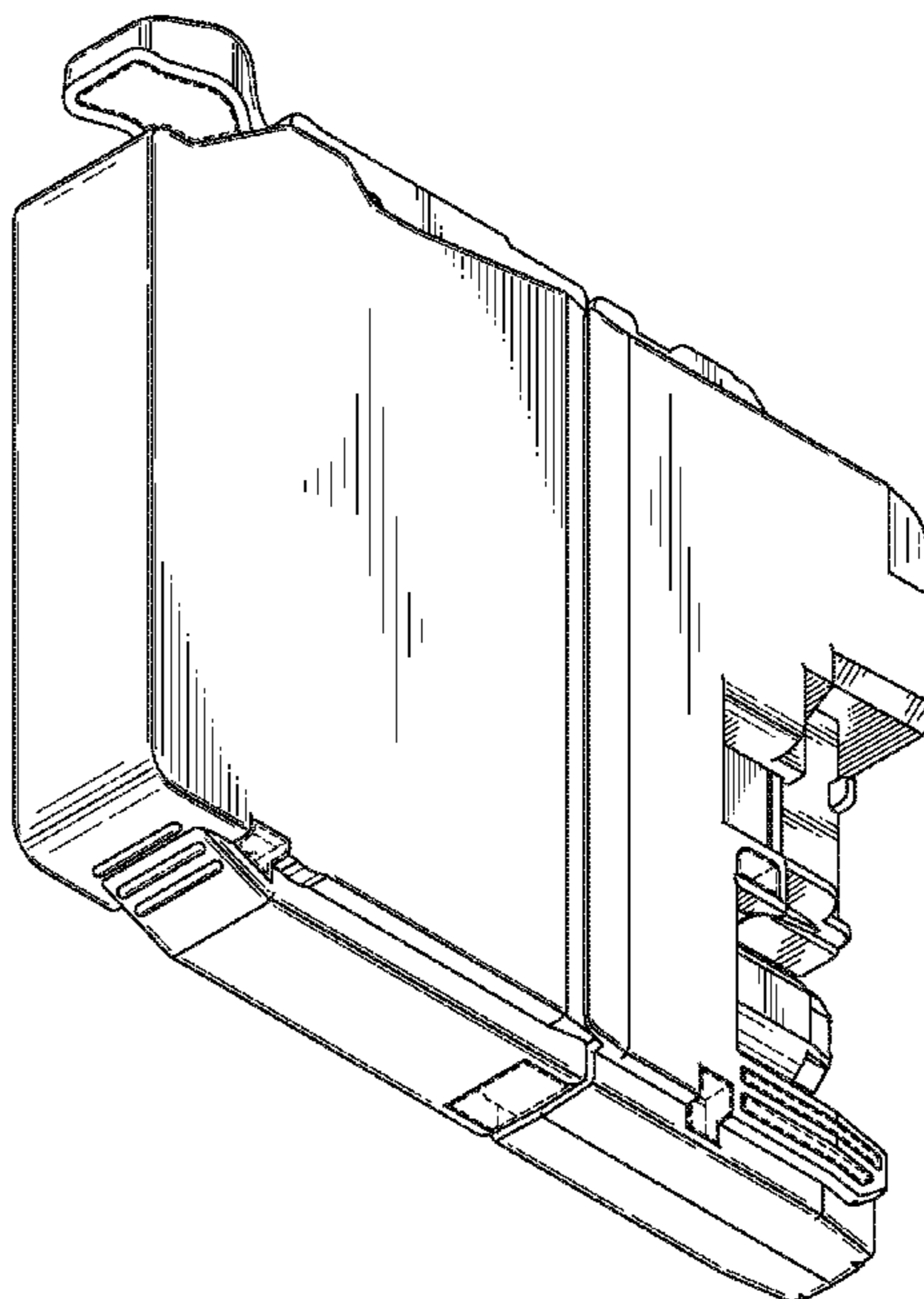
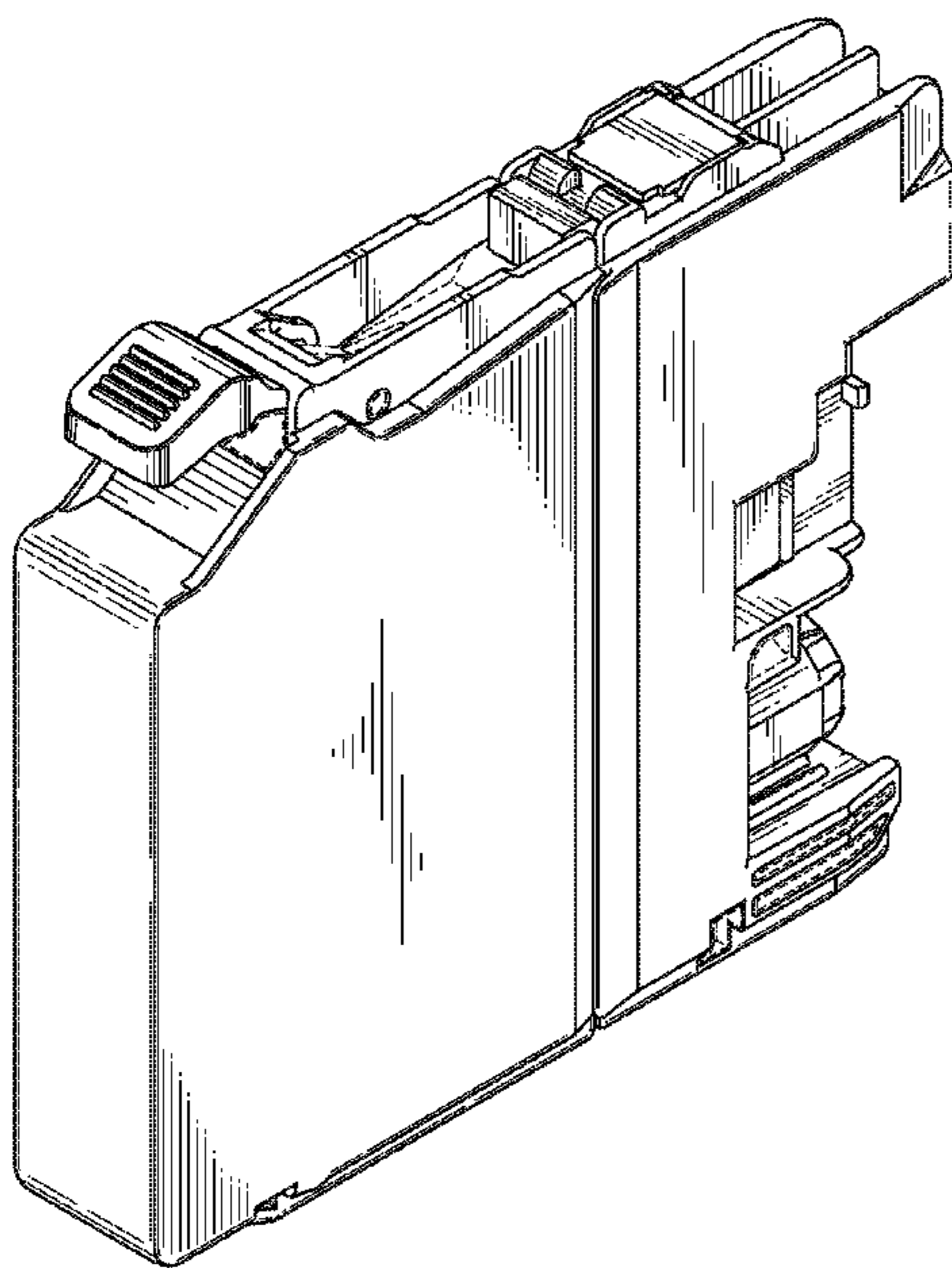
FIG. 7 is a rear view thereof;

FIG. 8 is a bottom view thereof; and,

FIG. 9 is a bottom, front, left-side perspective view thereof.

The broken lines depict unclaimed portions only and form no part of the claimed design.

1 Claim, 7 Drawing Sheets



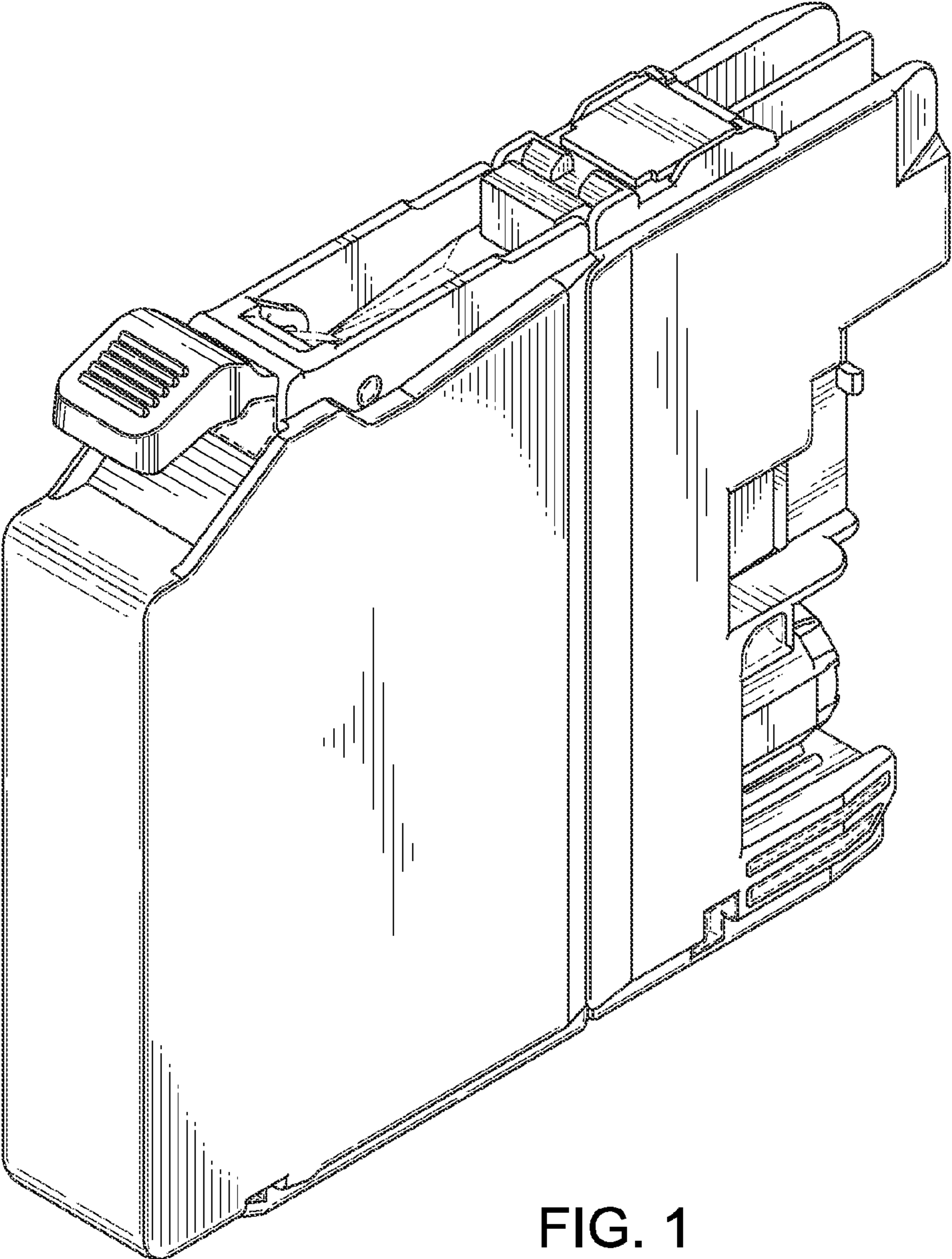


FIG. 1

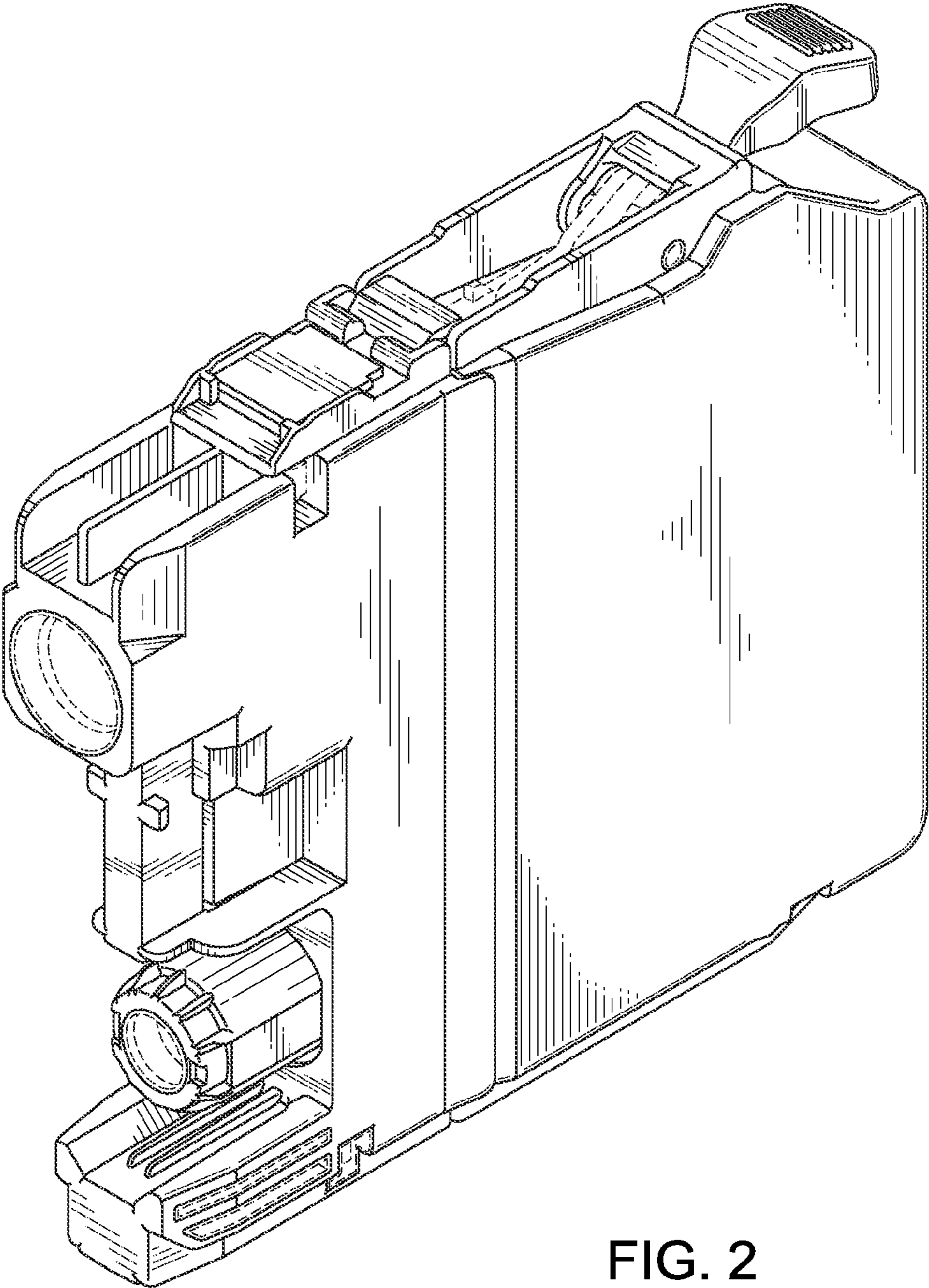


FIG. 2

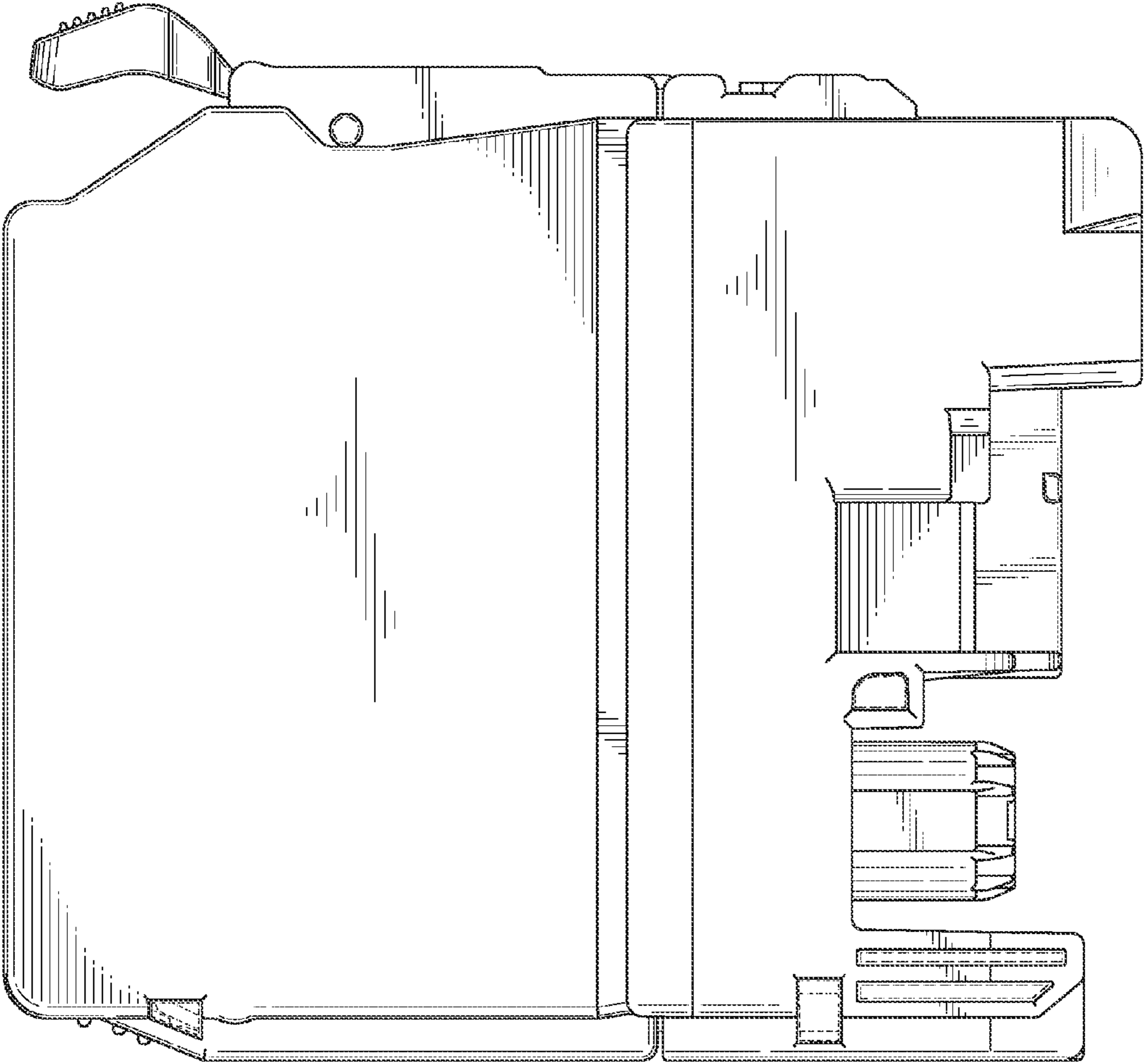


FIG. 3

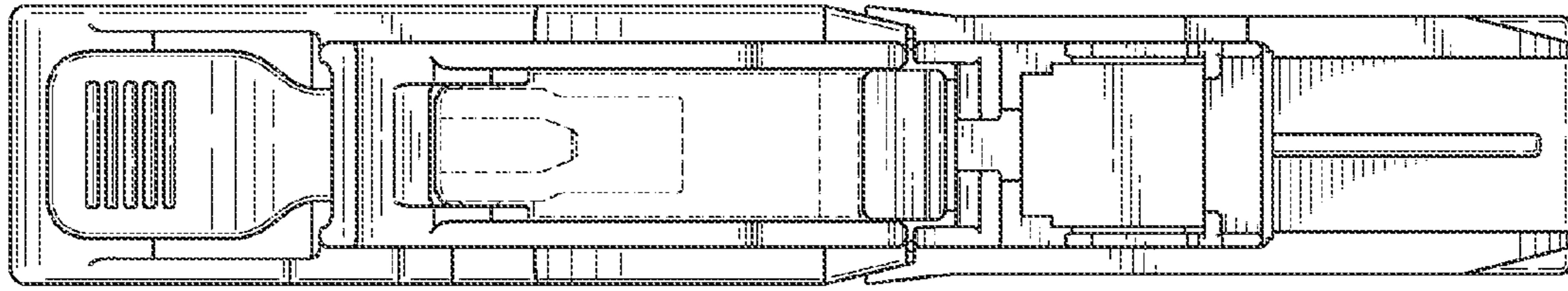


FIG. 4

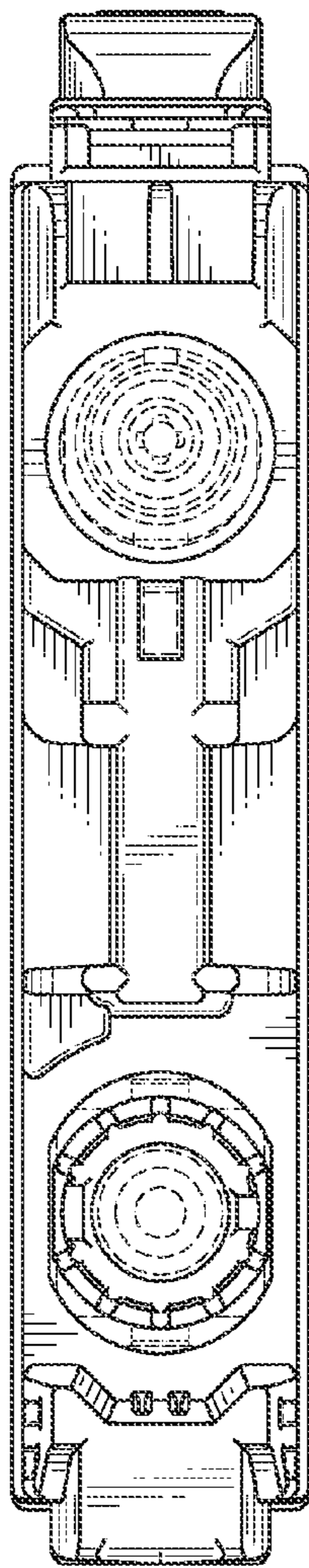


FIG. 5

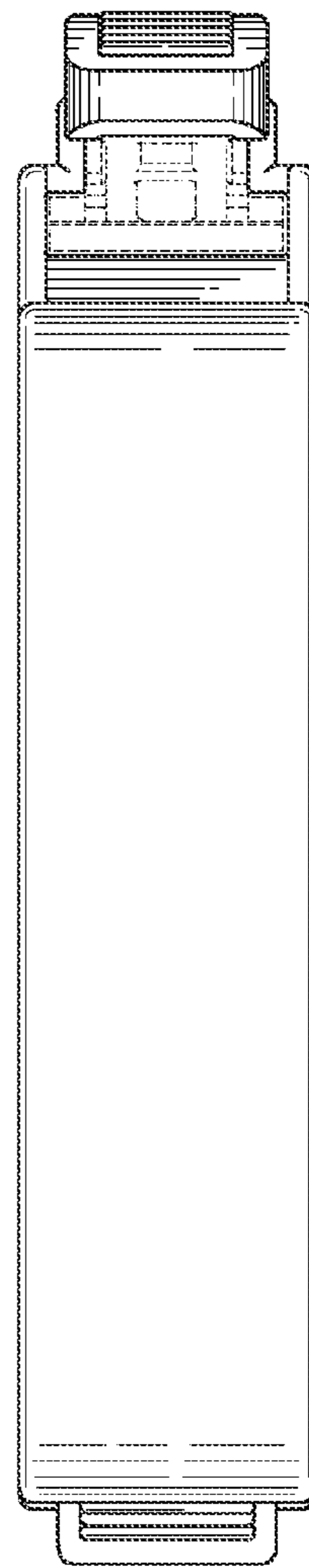


FIG. 6

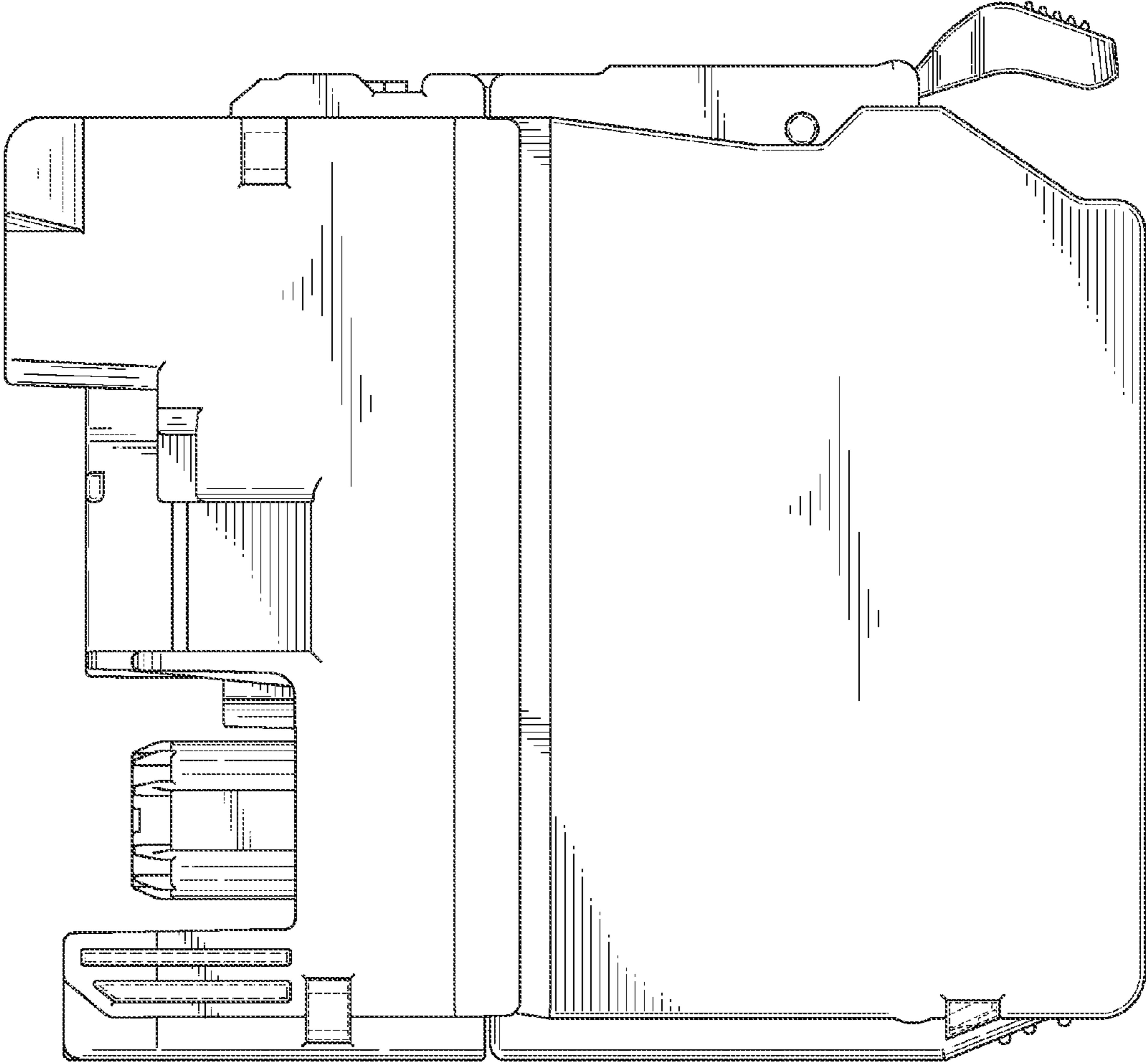


FIG. 7

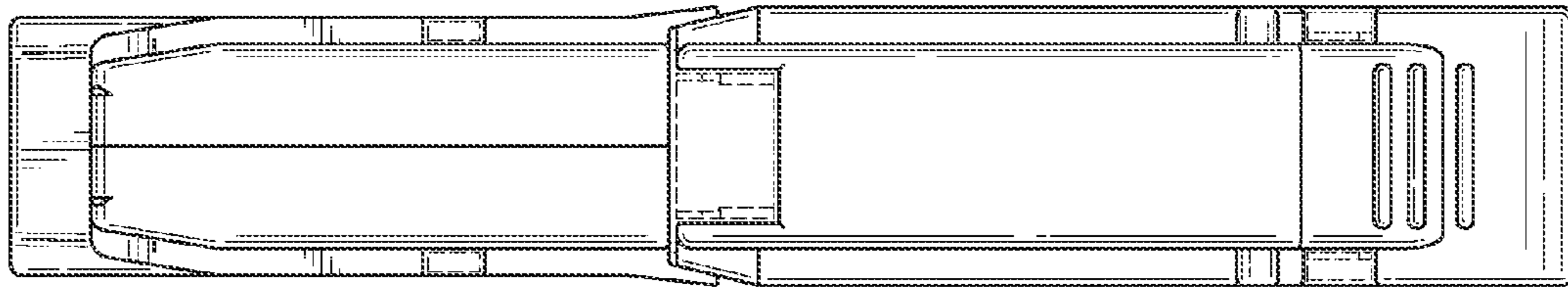


FIG. 8

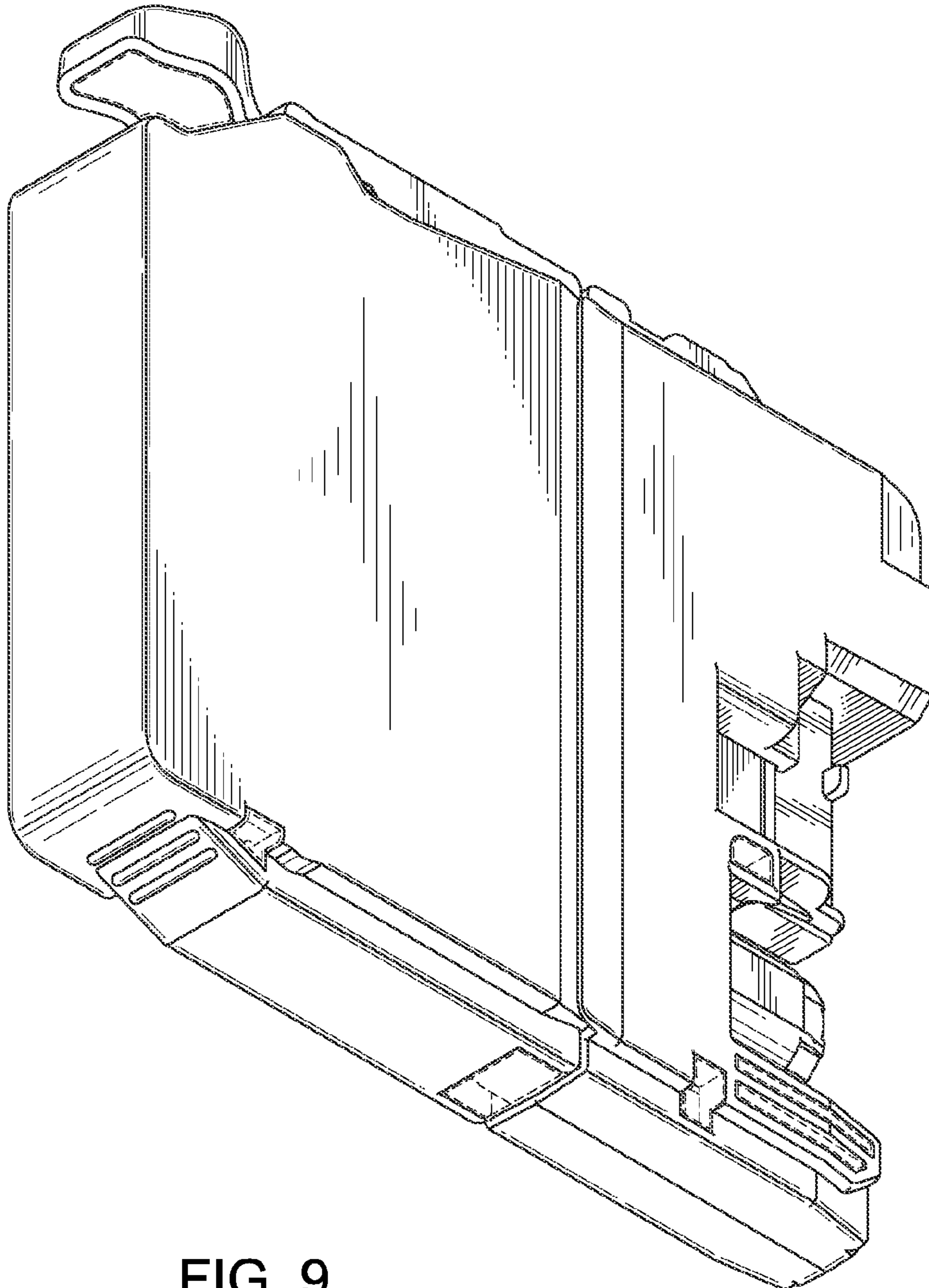


FIG. 9