



US00D681726S

(12) **United States Design Patent**  
**Yonekawa**

(10) **Patent No.:** **US D681,726 S**  
(45) **Date of Patent:** **\*\* May 7, 2013**

- (54) **MULTI-FUNCTION PRINTER**
- (75) Inventor: **Masahiro Yonekawa**, Machida (JP)
- (73) Assignee: **Ricoh Company, Ltd.**, Tokyo (JP)
- (\*\*) Term: **14 Years**
- (21) Appl. No.: **29/414,261**
- (22) Filed: **Feb. 27, 2012**
- (51) **LOC (9) Cl.** ..... **14-02**
- (52) **U.S. Cl.**  
USPC ..... **D18/55**; D14/421; D14/462; D18/36
- (58) **Field of Classification Search** ..... D18/36-37,  
D18/50, 54, 54.1, 55; D14/452-425, 463-470;  
400/613, 613.1-613.4, 690, 690.1-690.4,  
400/691-694  
See application file for complete search history.

- D581,976 S \* 12/2008 Park et al. .... D18/55
- D639,850 S \* 6/2011 Iwai et al. .... D18/50
- D665,840 S \* 8/2012 Tani ..... D18/50
- D667,488 S \* 9/2012 Inoue et al. .... D18/55
- D667,489 S \* 9/2012 Inoue et al. .... D18/55

\* cited by examiner

*Primary Examiner* — Cathy A MacCormac  
(74) *Attorney, Agent, or Firm* — Dickstein Shapiro LLP

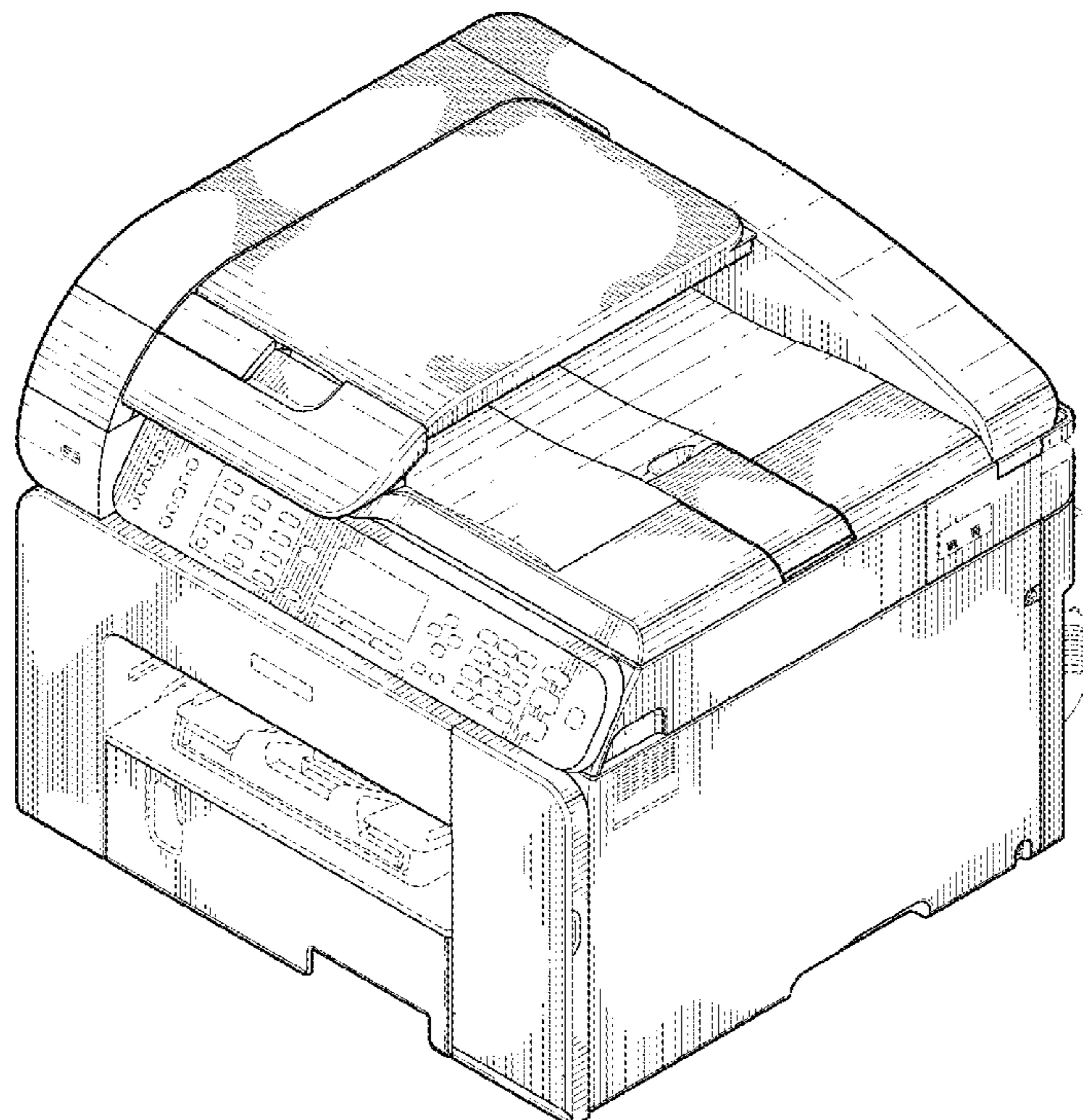
(57) **CLAIM**  
The ornamental design for a multi-function printer, as shown and described.

**DESCRIPTION**

FIG. 1 is a front view of the multi-function printer, showing the new design;  
 FIG. 2 is a rear view thereof;  
 FIG. 3 is a left side view thereof;  
 FIG. 4 is a right side view thereof;  
 FIG. 5 is a top view thereof;  
 FIG. 6 is a bottom view thereof; and,  
 FIG. 7 is a front, right side and top perspective view thereof.  
 The multi-function printer shown in the drawings and described herein operates as a printer, a copying machine, a scanner, and/or a facsimile machine.  
 The broken line showing of portions of the multi-function printer is for the purpose of illustrating environmental structure and forms no part of the claimed design.

- (56) **References Cited**  
U.S. PATENT DOCUMENTS  
D501,667 S \* 2/2005 Ishigami et al. .... D18/50  
D502,500 S \* 3/2005 Hoshiya et al. .... D18/50  
D527,414 S \* 8/2006 Miyauchi et al. .... D18/50  
D550,279 S \* 9/2007 Tani ..... D18/50  
D561,248 S \* 2/2008 Lee et al. .... D18/50  
D561,251 S \* 2/2008 Joe et al. .... D18/55  
D567,848 S \* 4/2008 Kawamura et al. .... D18/39  
D573,633 S \* 7/2008 Laidlaw et al. .... D18/55  
D580,483 S \* 11/2008 Park et al. .... D18/39

**1 Claim, 4 Drawing Sheets**



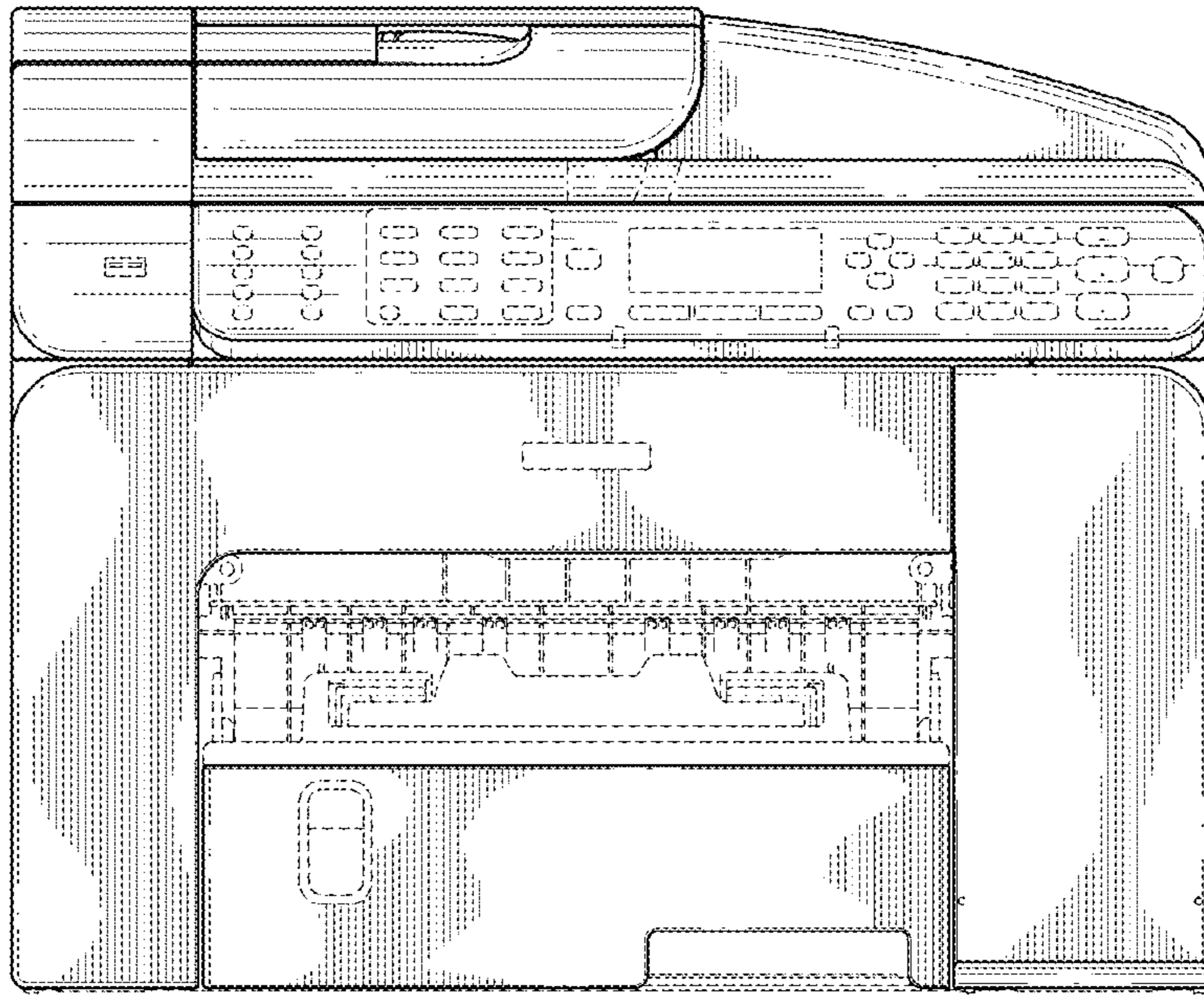


FIG. 1

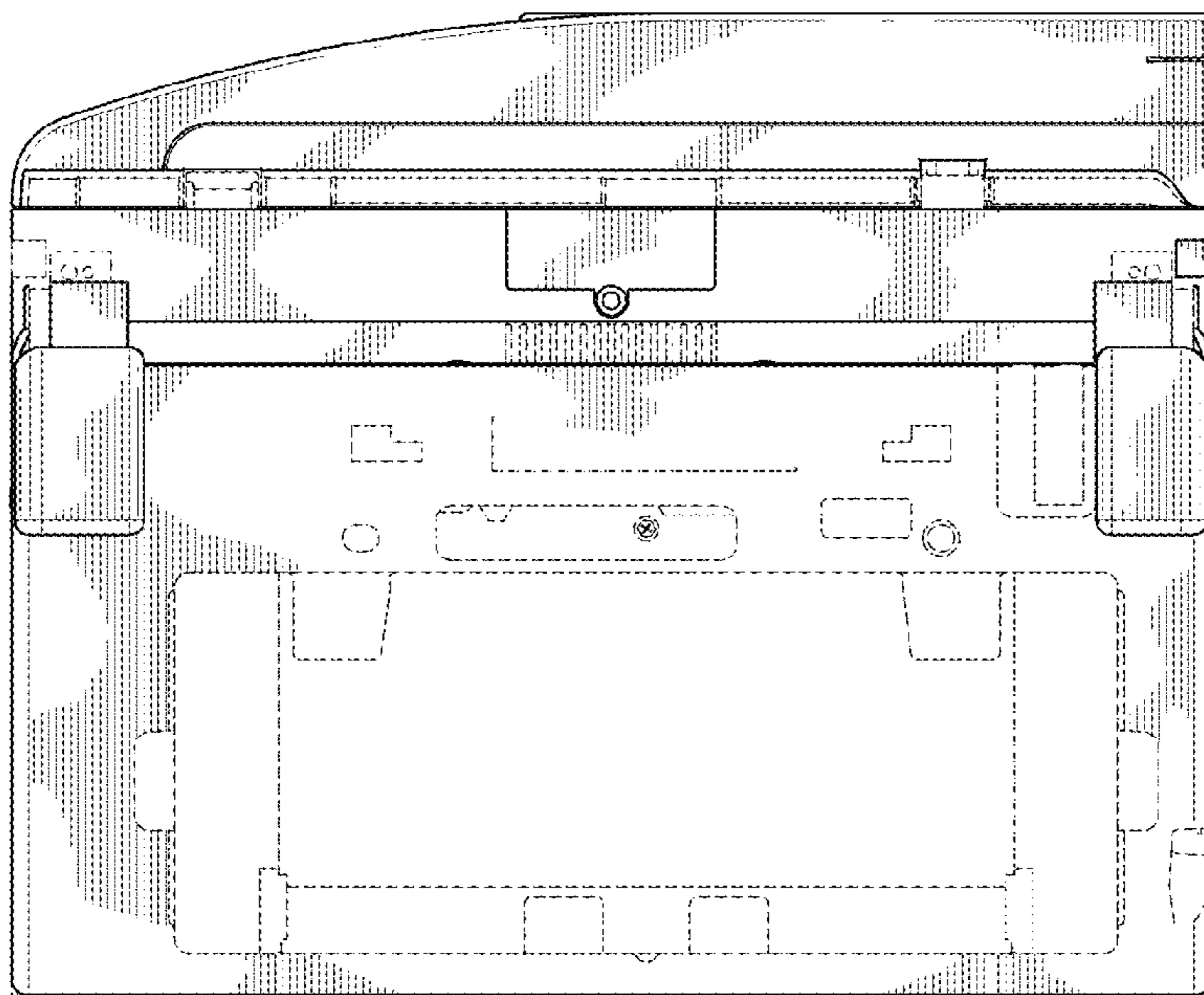


FIG. 2

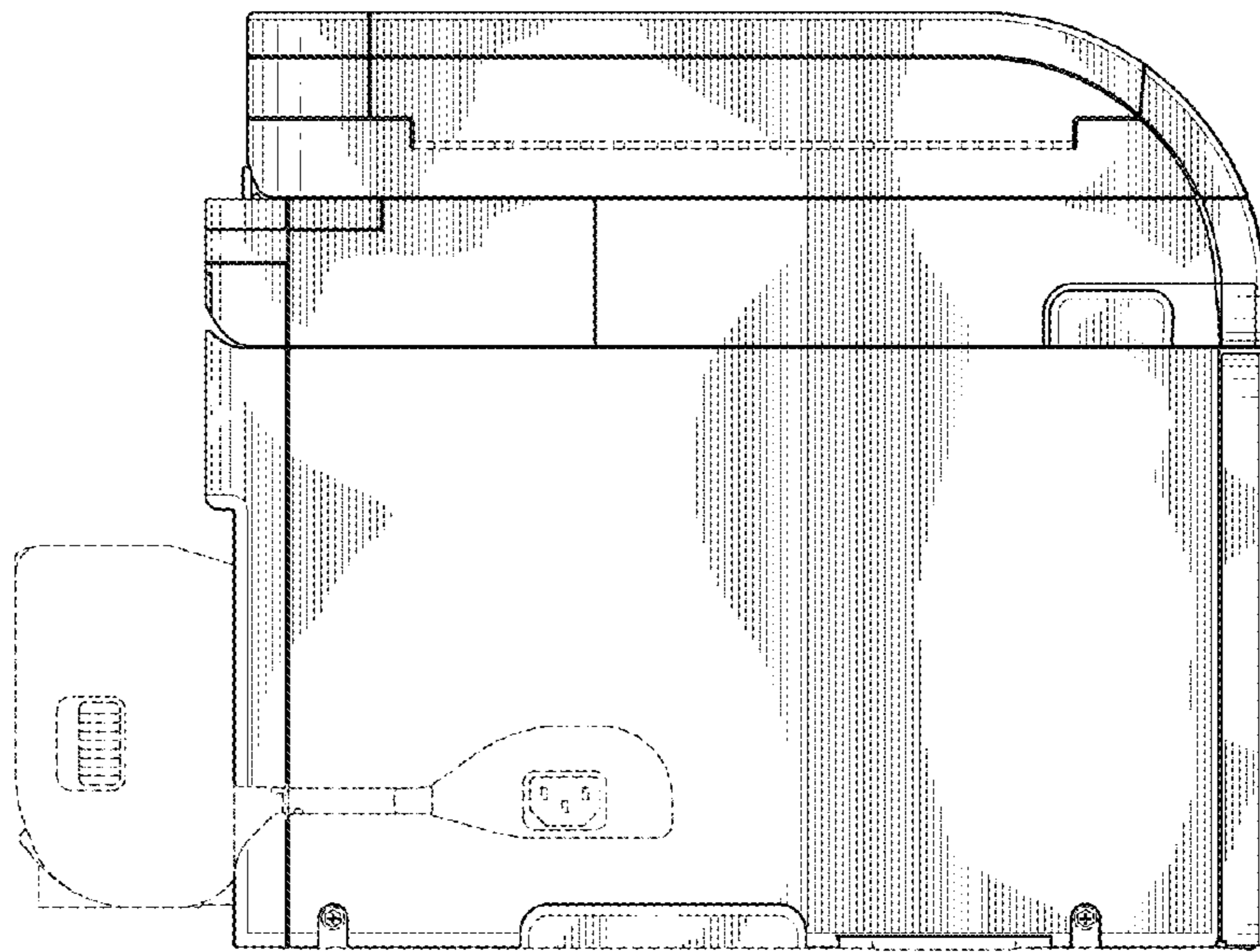


FIG. 3

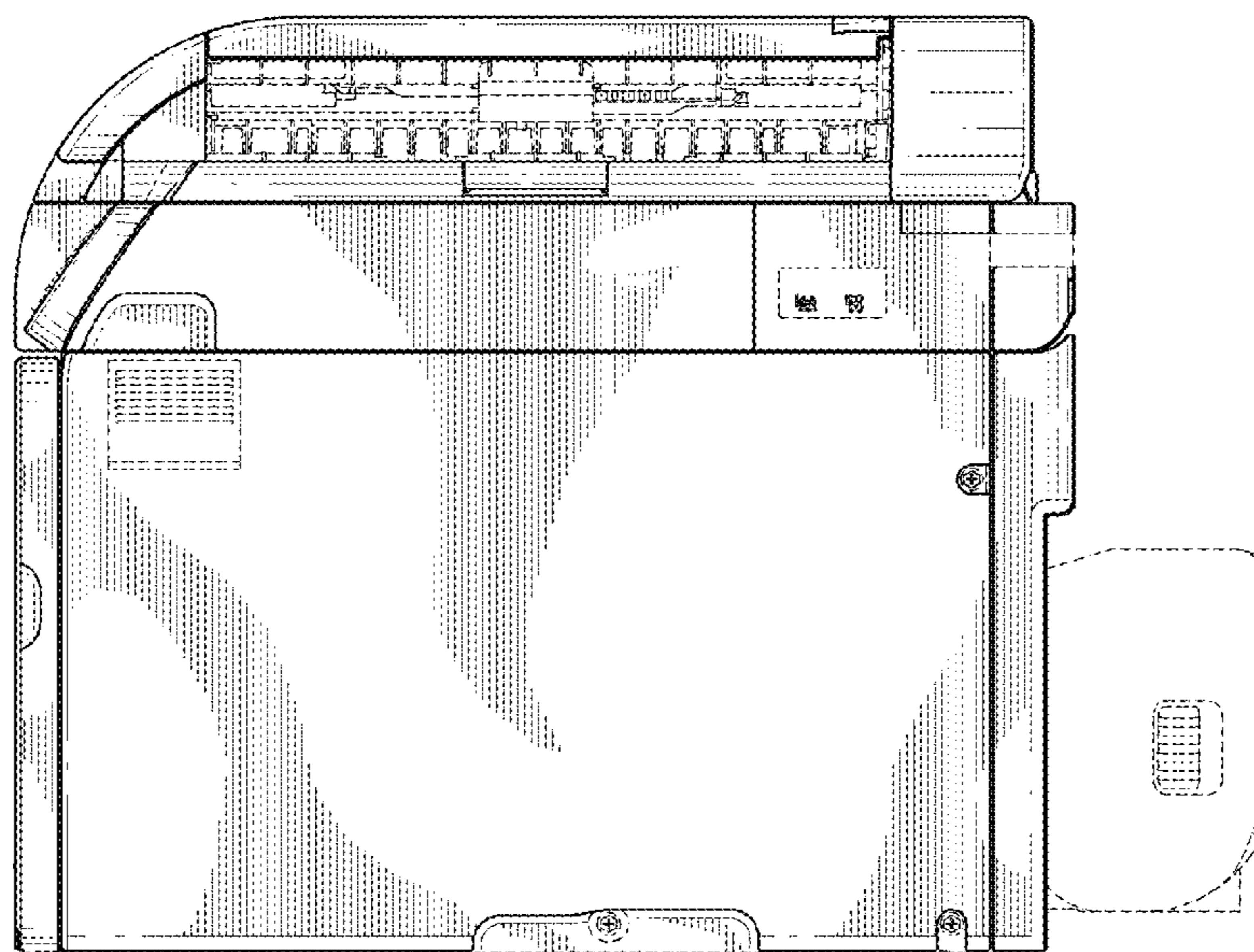


FIG. 4

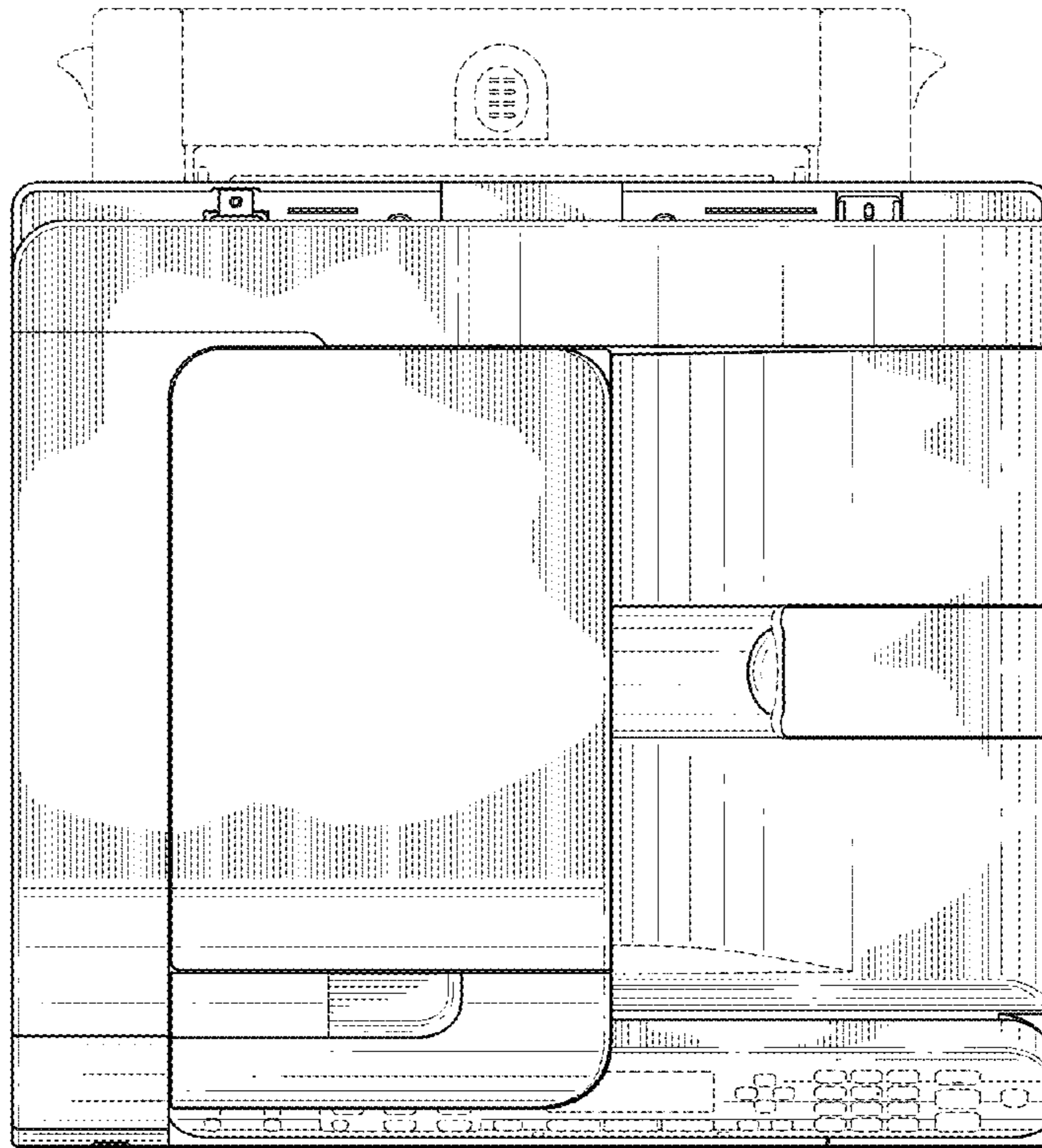


FIG. 5

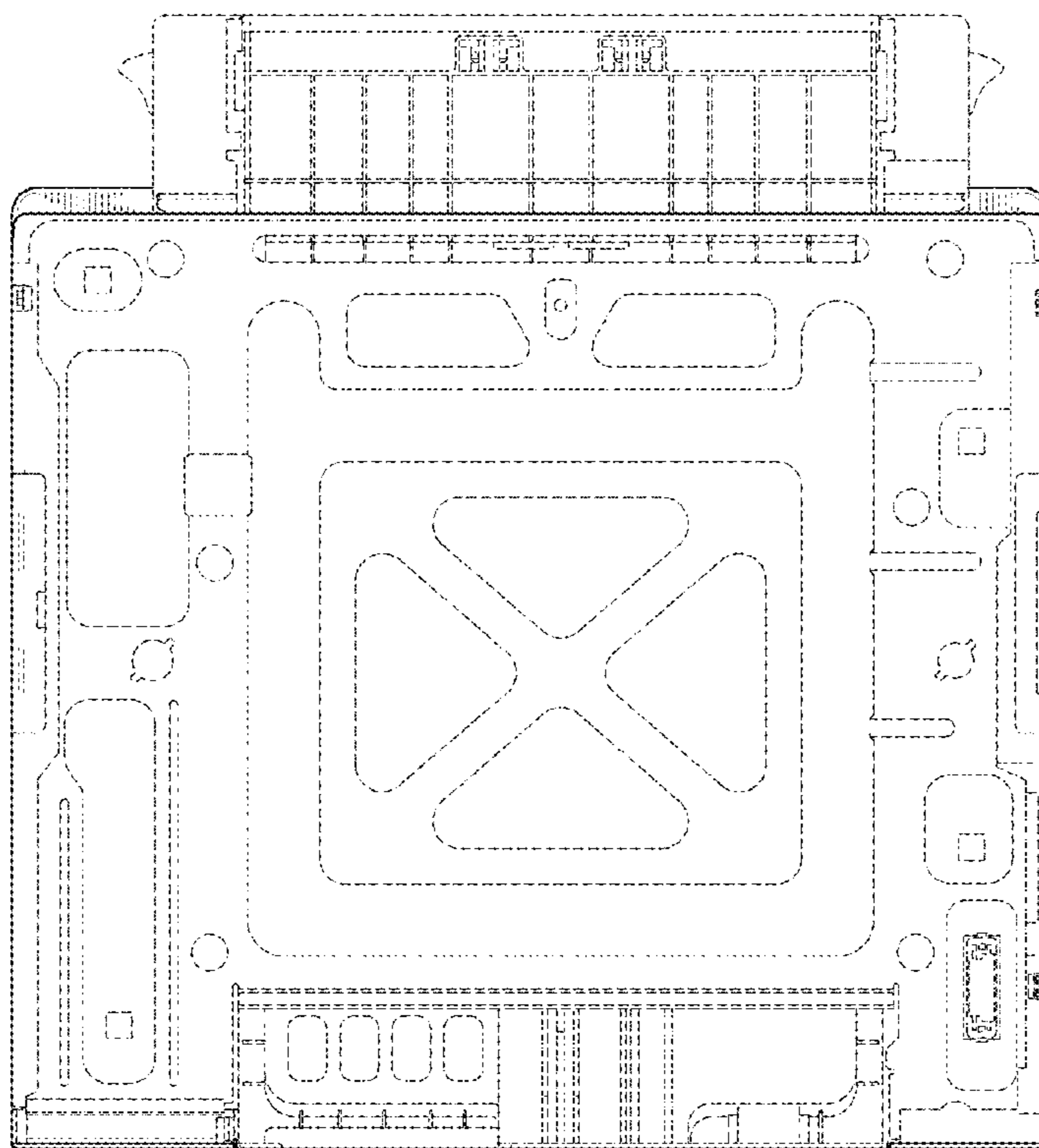


FIG. 6

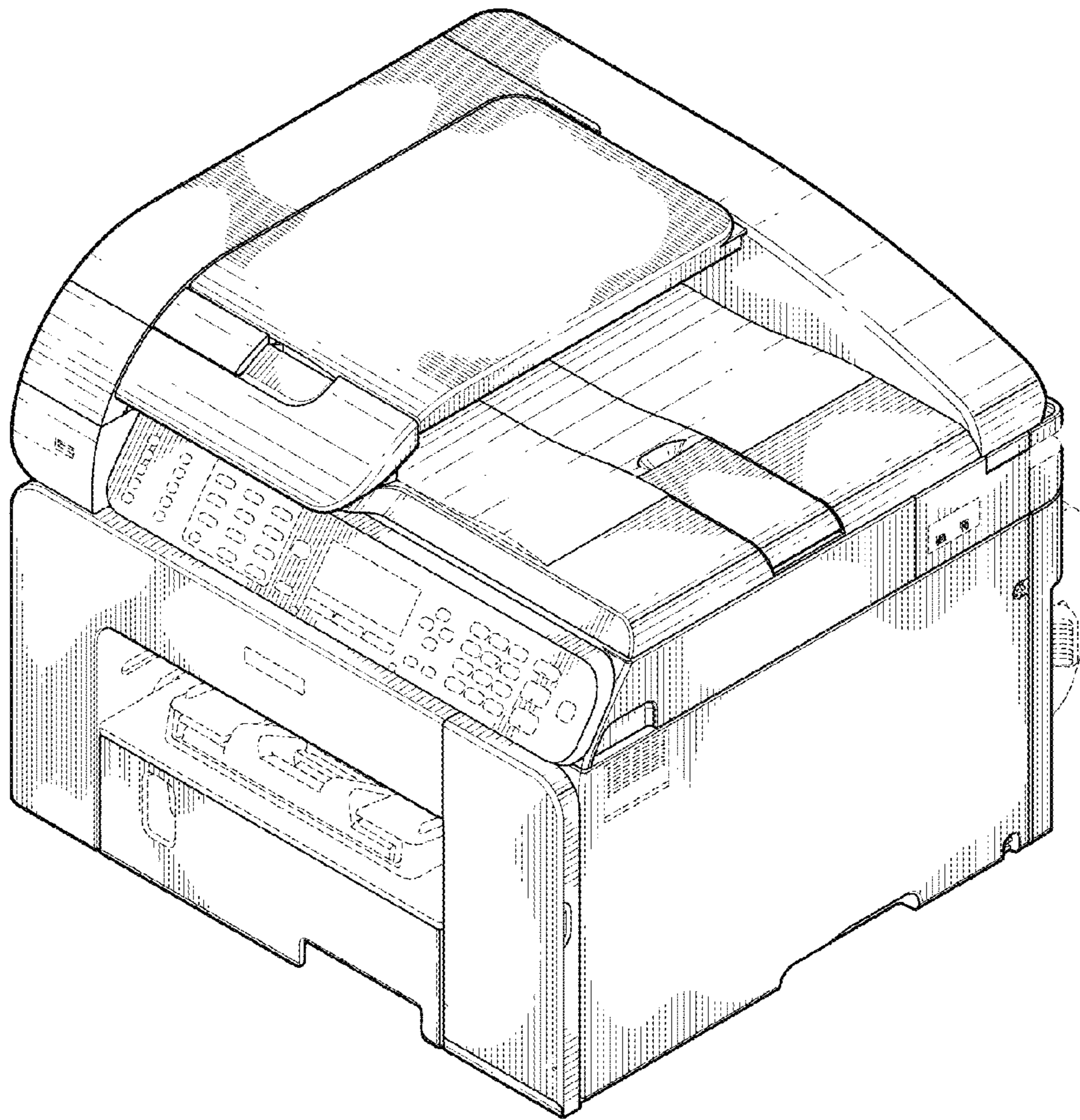


FIG. 7