



US00D681722S

(12) **United States Design Patent**
Seki et al.

(10) **Patent No.:** **US D681,722 S**
(45) **Date of Patent:** **** May 7, 2013**

(54) **PRINTER**

(75) Inventors: **Yusaku Seki**, Nagoya (JP); **Jiro Suzuki**, Nagoya (JP); **Nobuyuki Iwai**, Chita-gun (JP); **Kil Jihoon**, Nagoya (JP)

(73) Assignee: **Brother Industries, Ltd.**, Nagoya (JP)

(**) Term: **14 Years**

(21) Appl. No.: **29/416,910**

(22) Filed: **Mar. 28, 2012**

(30) **Foreign Application Priority Data**

Dec. 27, 2011 (JP) 2011-30175

(51) **LOC (9) Cl.** **14-02**

(52) **U.S. Cl.**
USPC **D18/50**

(58) **Field of Classification Search** D18/14,
D18/19, 36-37, 50, 54, 54.1, 55; D14/452-425,
D14/463-470; 400/613, 613.1-613.4, 690,
400/690.1-690.4, 691-694
See application file for complete search history.

(56) **References Cited**

U.S. PATENT DOCUMENTS

3,498,708 A * 3/1970 Howard D18/37
3,825,727 A * 7/1974 Sarcia D18/50

4,276,598 A * 6/1981 Inoue et al. 705/24
D363,081 S * 10/1995 Burt D18/50
D424,100 S * 5/2000 Hesselbach D18/50
D479,555 S * 9/2003 Sakai D18/50
D553,184 S * 10/2007 Lee et al. D18/50
D565,650 S 4/2008 Tani
D582,971 S * 12/2008 Smith et al. D18/50
D624,956 S 10/2010 Park et al.
D624,957 S 10/2010 Park et al.
D645,078 S 9/2011 Kim et al.
D647,130 S 10/2011 Kim et al.
D660,348 S * 5/2012 Kimura et al. D18/50
D667,050 S * 9/2012 Takeuchi D18/50

* cited by examiner

Primary Examiner — Cathy A MacCormac

(74) *Attorney, Agent, or Firm* — Olif & Berridge, PLC

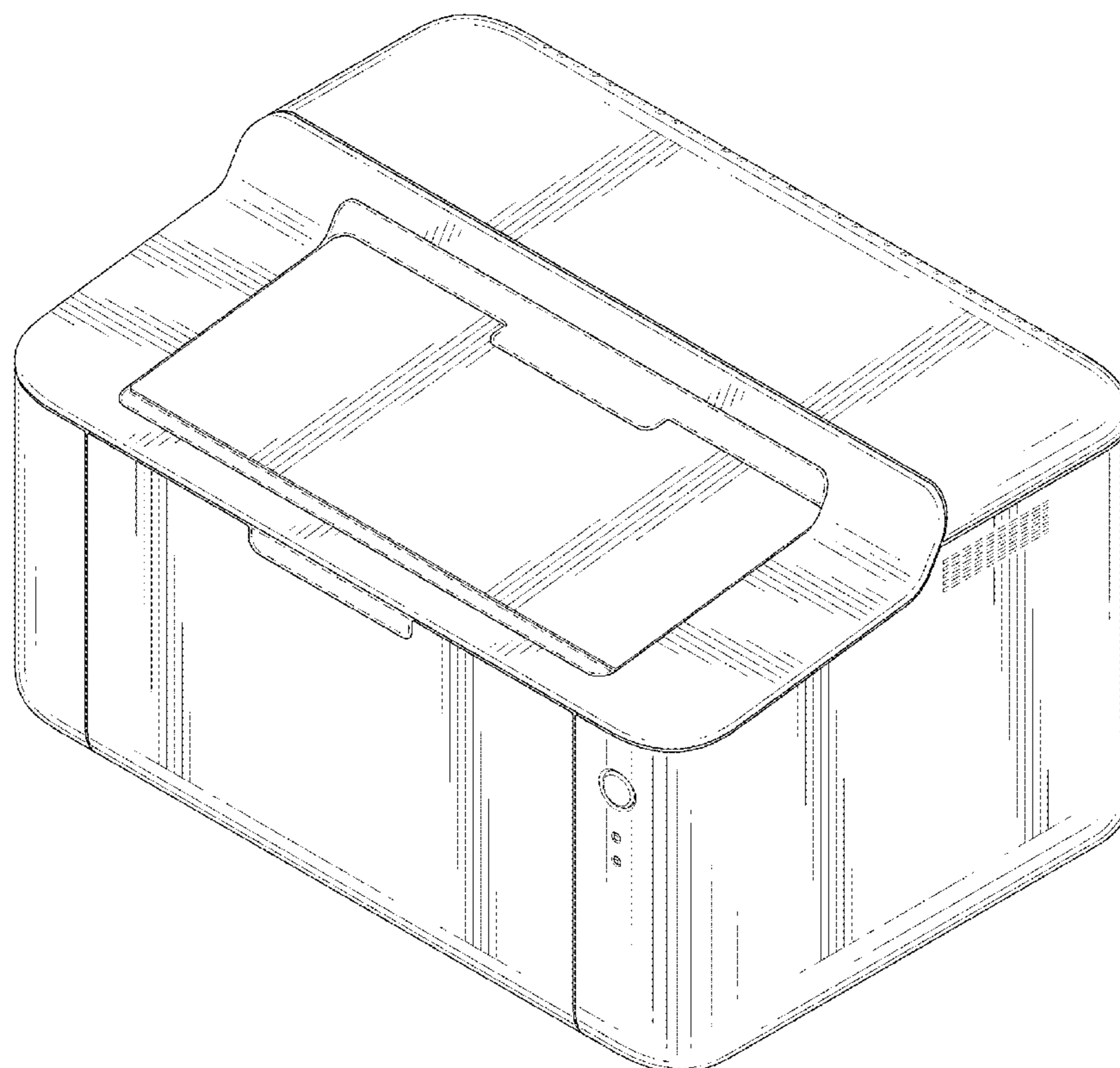
(57) **CLAIM**

The ornamental design for a printer, as shown and described.

DESCRIPTION

FIG. 1 is a perspective view of a printer;
FIG. 2 is a front view thereof;
FIG. 3 is a top view thereof;
FIG. 4 is a right-side view thereof;
FIG. 5 is a left-side view thereof;
FIG. 6 is a rear view thereof; and,
FIG. 7 is a bottom view thereof.
The broken lines depict unclaimed portions only and form no part of the claimed design.

1 Claim, 7 Drawing Sheets



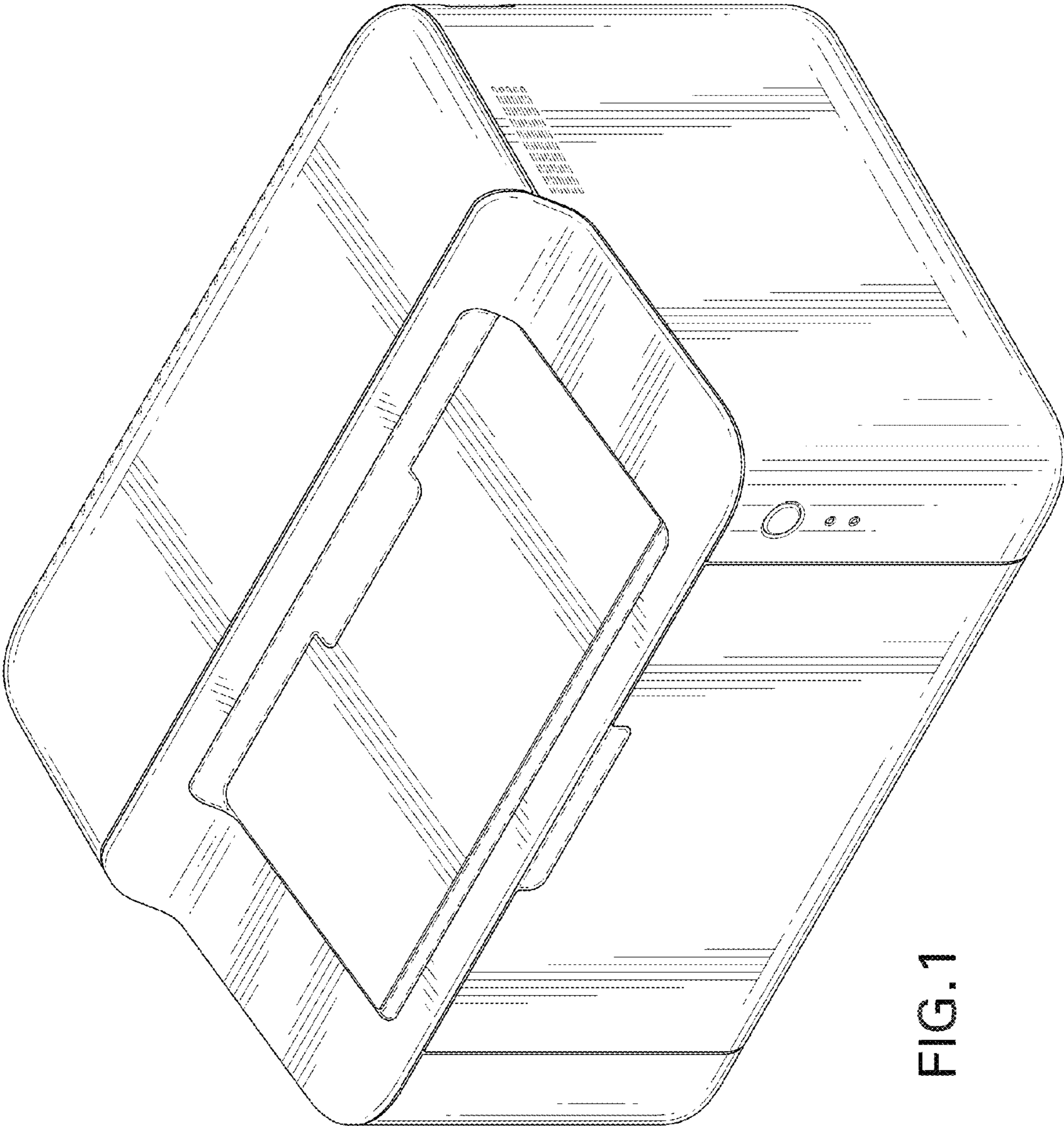


FIG.1

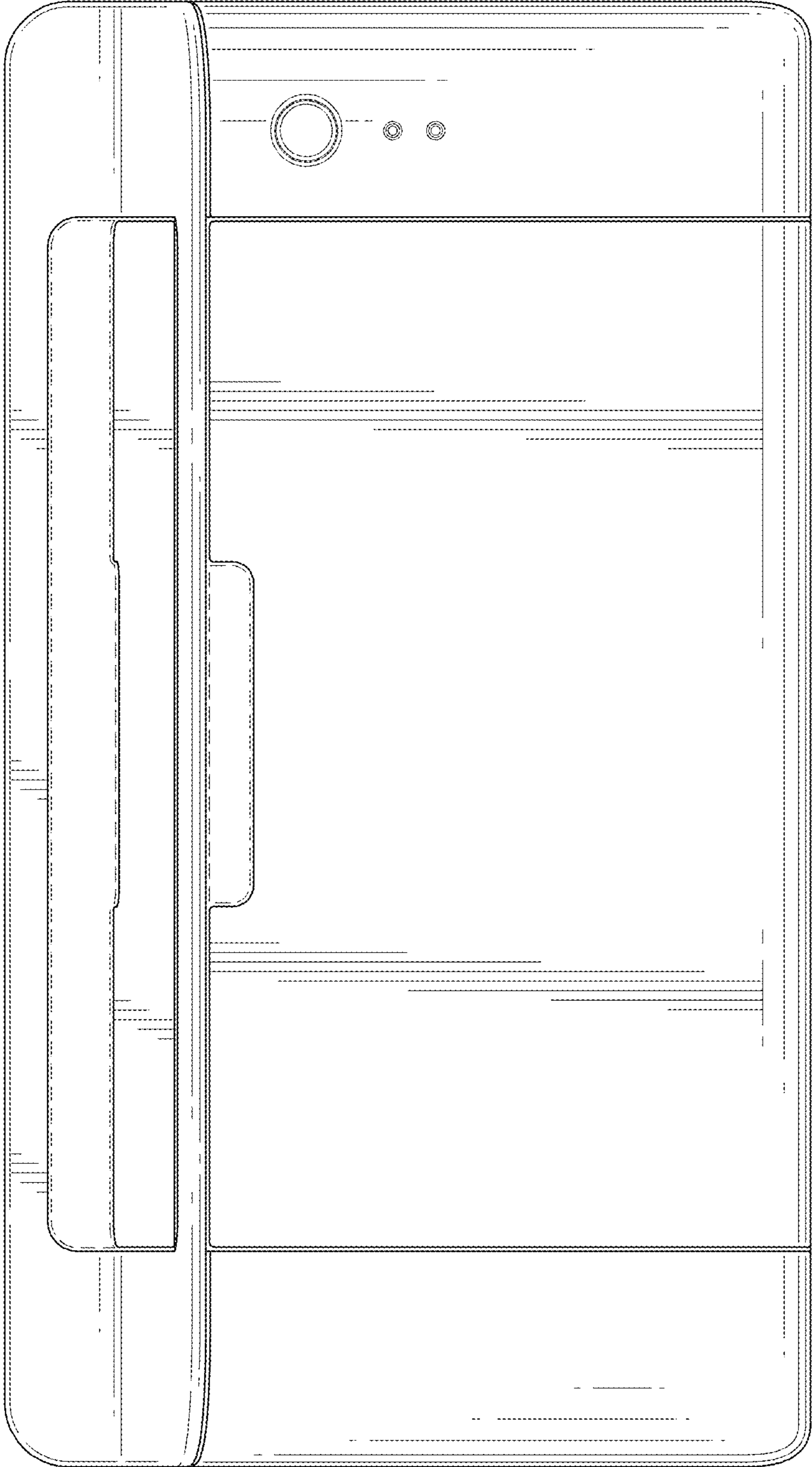


FIG. 2

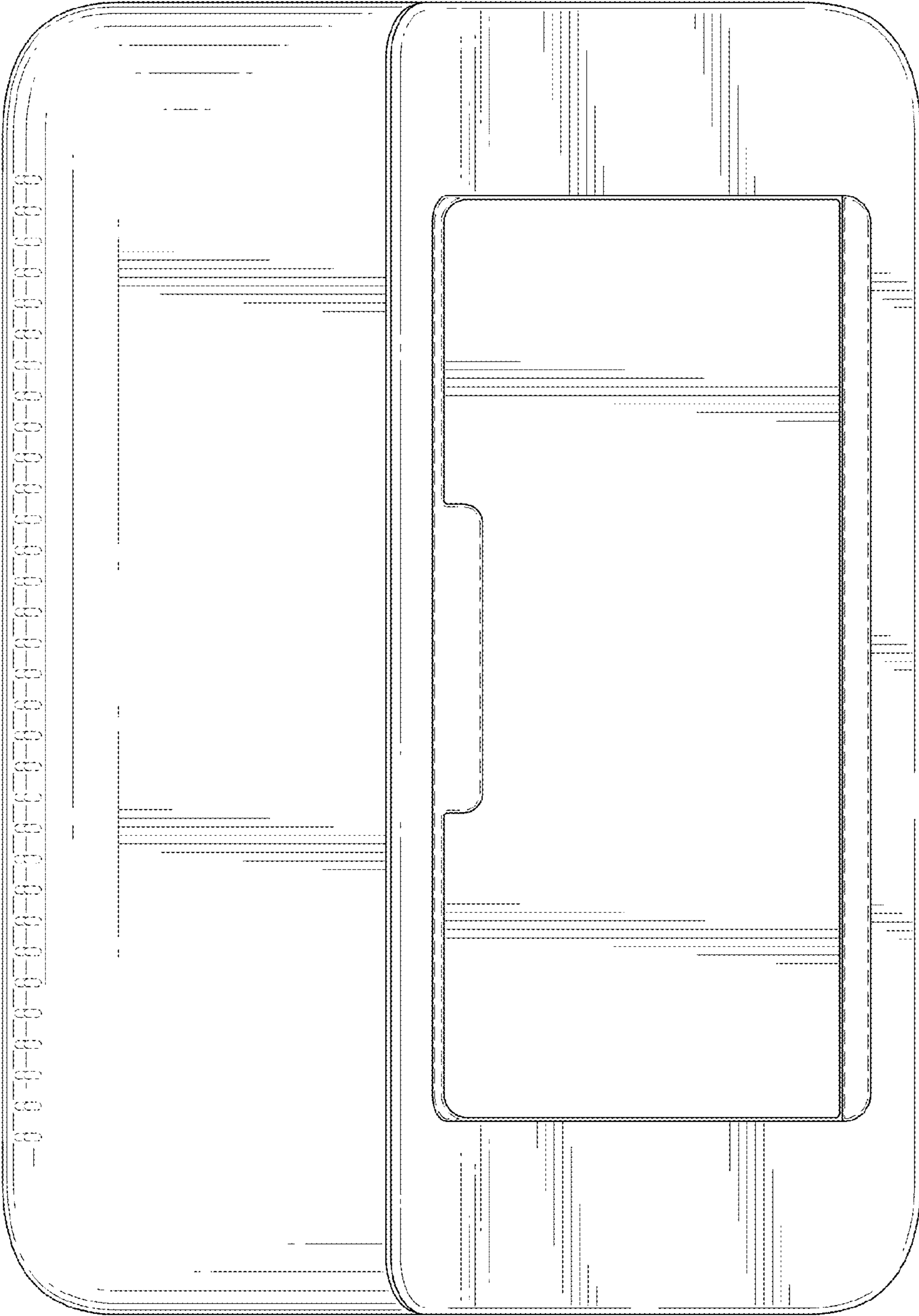


FIG. 3

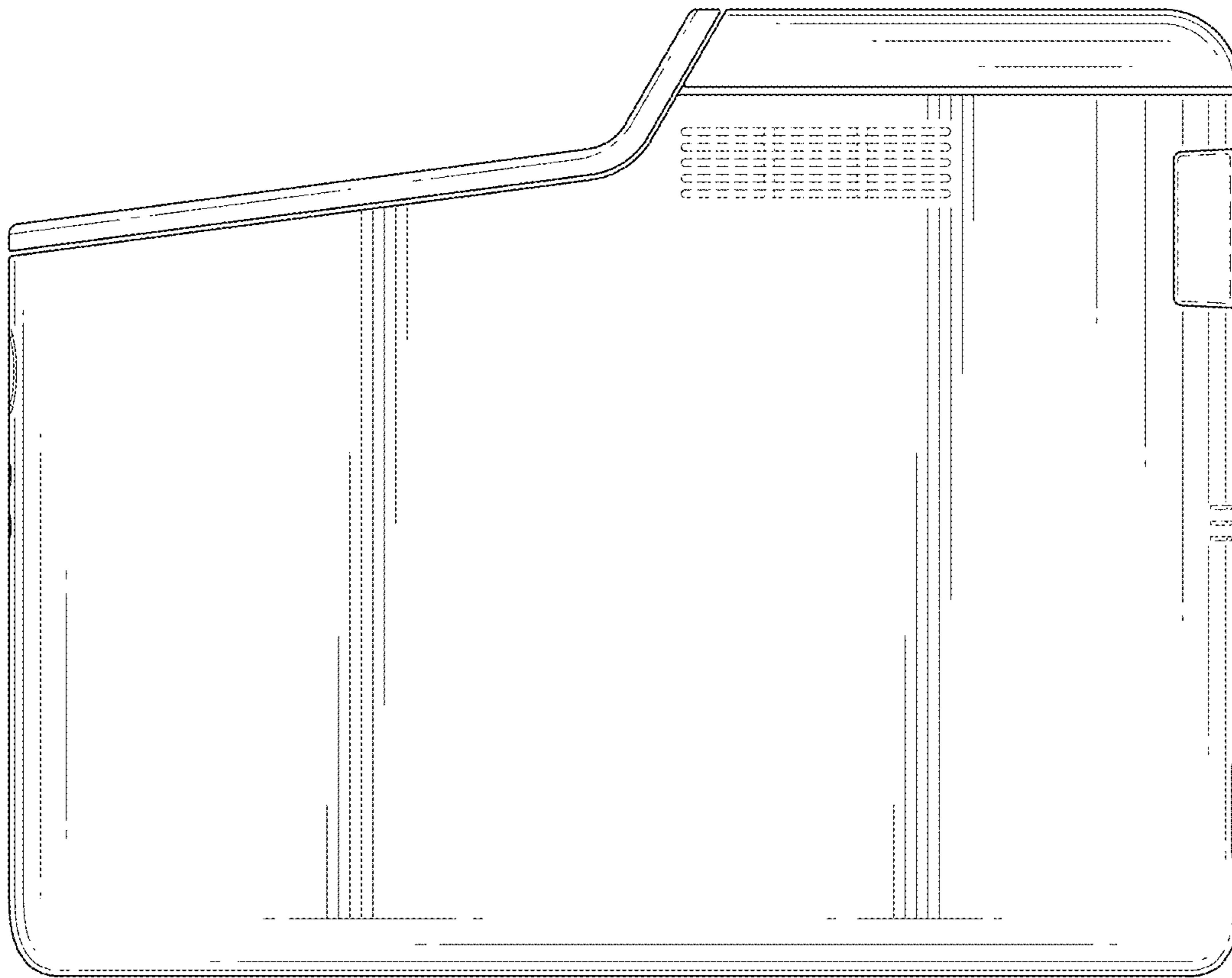


FIG.4

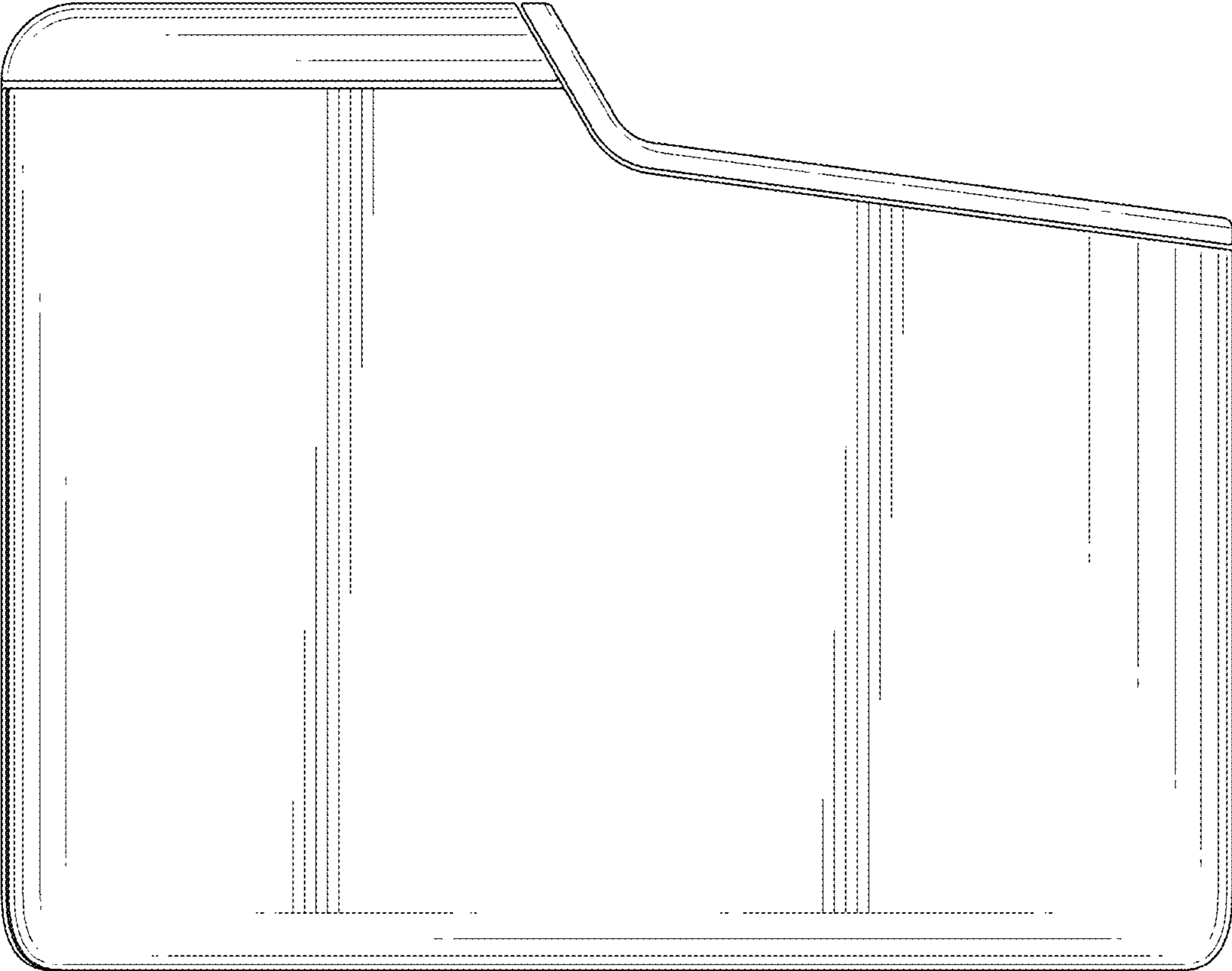


FIG. 5

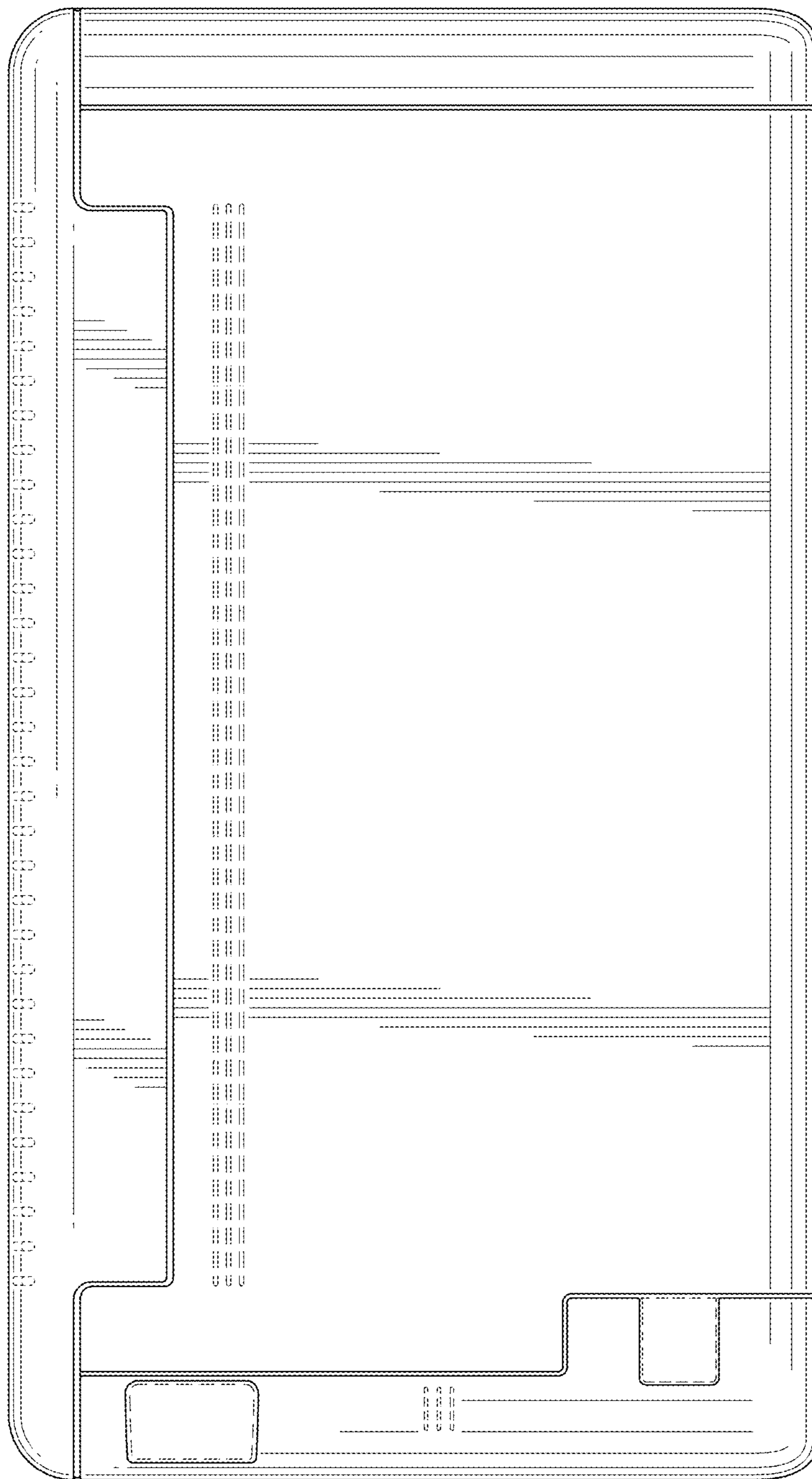


FIG. 6

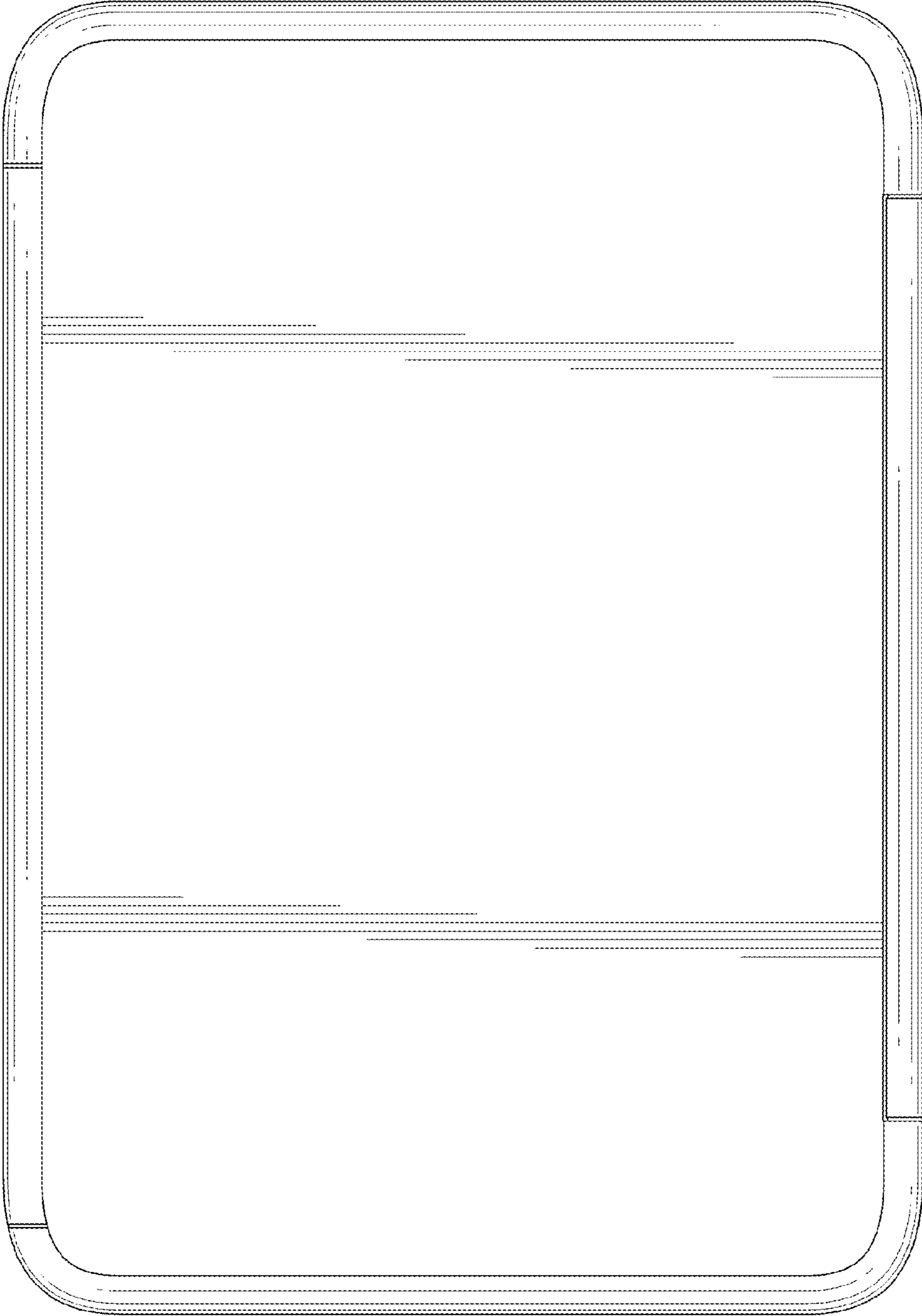


FIG. 7