



US00D681721S

(12) **United States Design Patent**  
**Iwai et al.**

(10) **Patent No.:** **US D681,721 S**  
(45) **Date of Patent:** **\*\* May 7, 2013**

(54) **PRINTER**

(75) Inventors: **Nobuyuki Iwai**, Chita-gun (JP); **Toshiya Inada**, Nagoya (JP); **Shigeru Matsumoto**, Toyokawa (JP)

(73) Assignee: **Brother Industries, Ltd.**, Nagoya (JP)

(\*\*) Term: **14 Years**

(21) Appl. No.: **29/416,793**

(22) Filed: **Mar. 27, 2012**

(30) **Foreign Application Priority Data**

Oct. 24, 2011 (JP) ..... 2011-24325

(51) **LOC (9) Cl.** ..... **14-02**

(52) **U.S. Cl.**  
USPC ..... **D18/50**

(58) **Field of Classification Search** ..... D18/14,  
D18/19, 36-37, 50, 54, 54.1, 55; D14/452-425,  
D14/463-470; 400/613, 613.1-613.4, 690,  
400/690.1-690.4, 691-694

See application file for complete search history.

(56) **References Cited**

U.S. PATENT DOCUMENTS

D613,791	S	*	4/2010	Yoshioka et al.	.....	D18/55
D614,693	S	*	4/2010	Kato et al.	.....	D18/50
D645,897	S		9/2011	Chuang et al.		
D649,183	S	*	11/2011	Miyauchi et al.	.....	D18/50
D662,130	S	*	6/2012	Kitazawa et al.	.....	D18/50
D664,192	S		7/2012	Emmenegger et al.		
D665,013	S	*	8/2012	Ishikawa et al.	.....	D18/50

\* cited by examiner

*Primary Examiner* — Cathy A MacCormac

(74) *Attorney, Agent, or Firm* — Oliff & Berridge, PLC

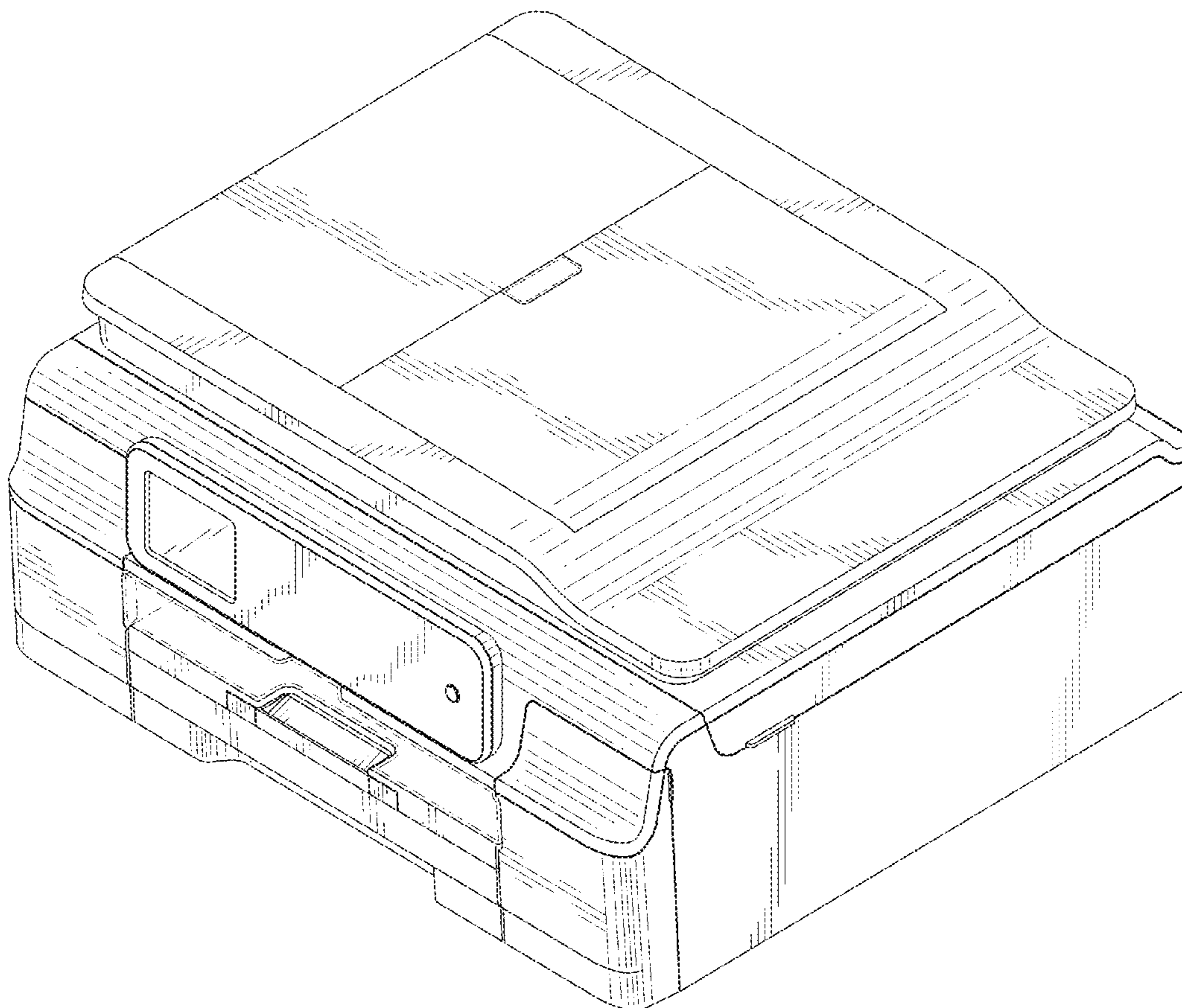
(57) **CLAIM**

The ornamental design for a printer, as shown and described.

**DESCRIPTION**

FIG. 1 is a perspective view of a printer;  
FIG. 2 is a front view thereof;  
FIG. 3 is a top view thereof;  
FIG. 4 is a right-side view thereof;  
FIG. 5 is a left-side view thereof;  
FIG. 6 is a rear view thereof; and,  
FIG. 7 is a bottom view thereof.  
The broken lines depict unclaimed portions only and form no part of the claimed design.

**1 Claim, 6 Drawing Sheets**



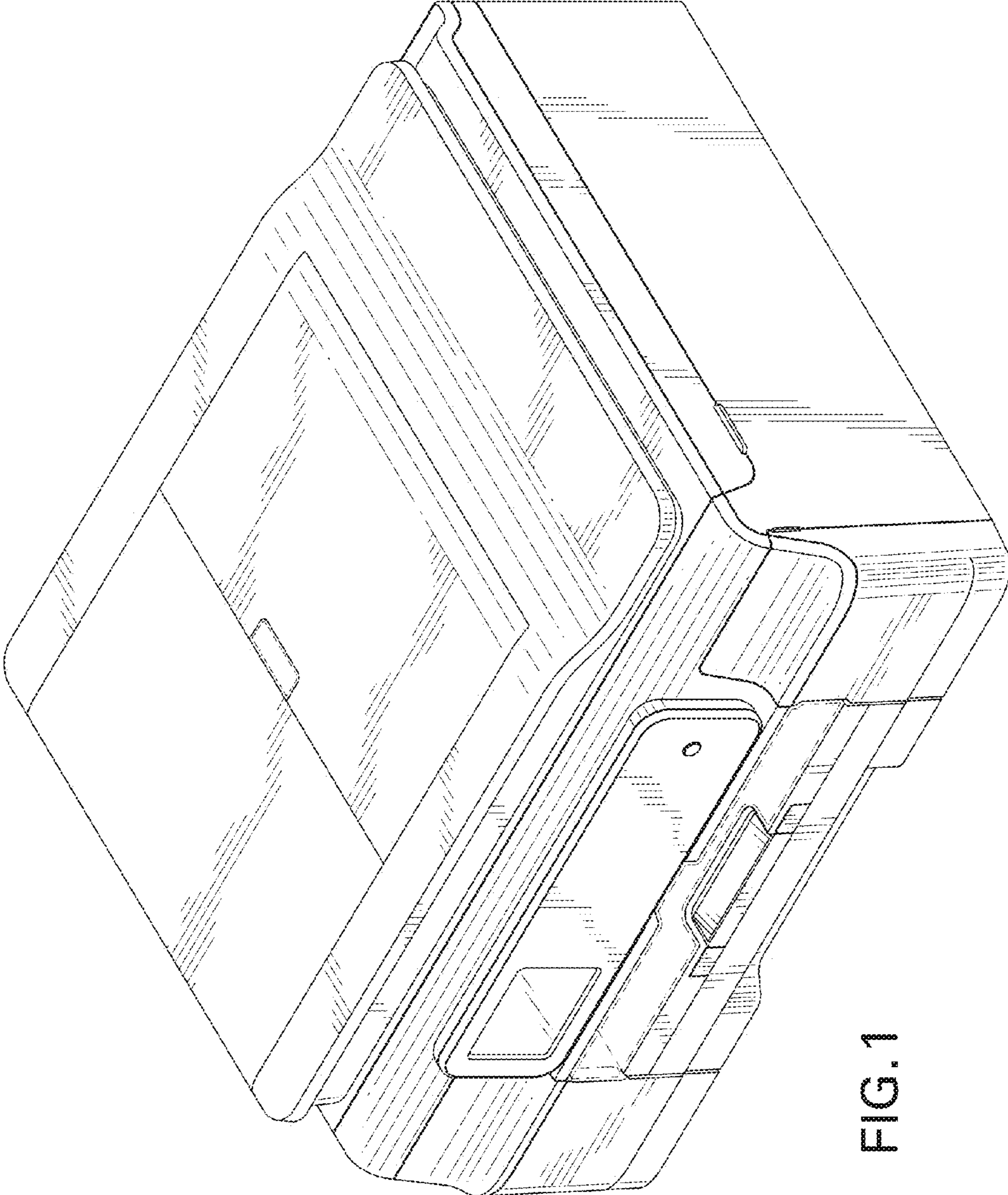


FIG. 1

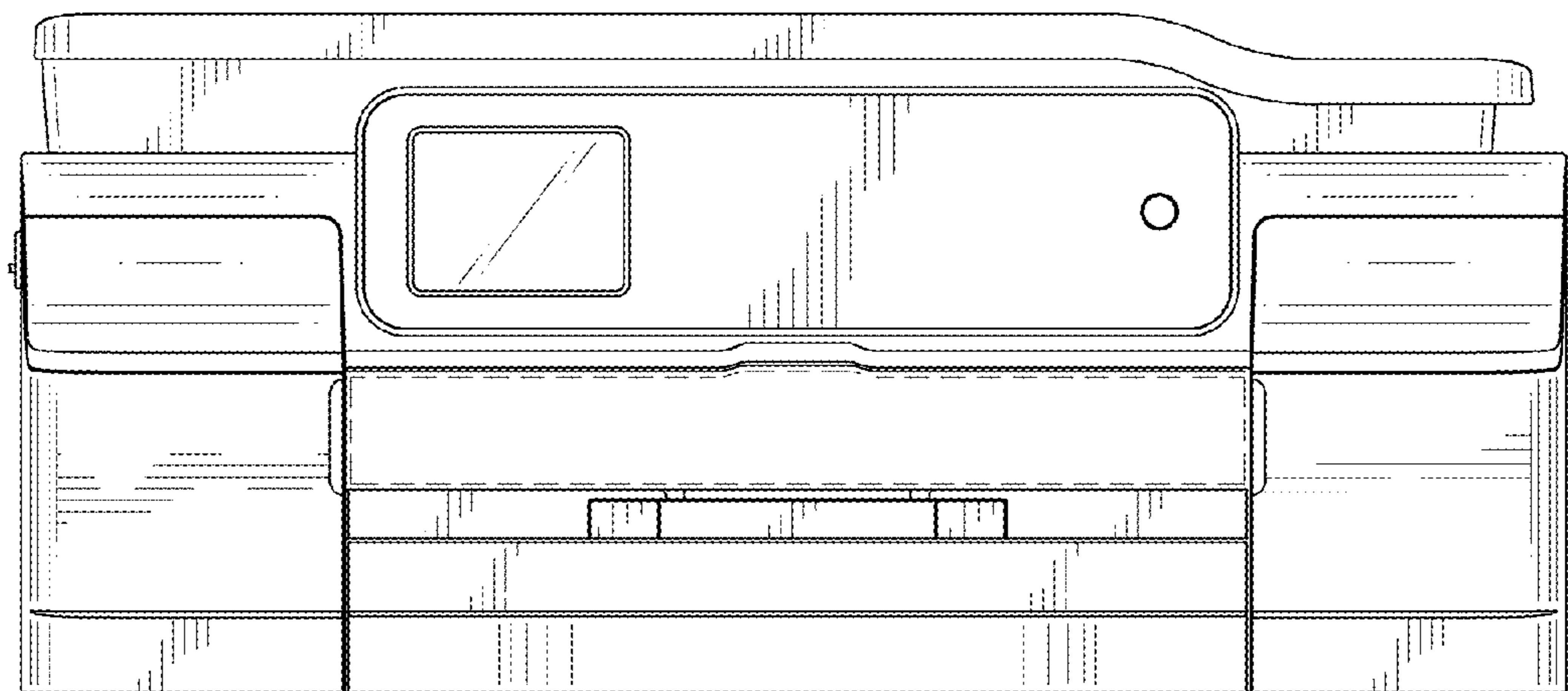


FIG.2

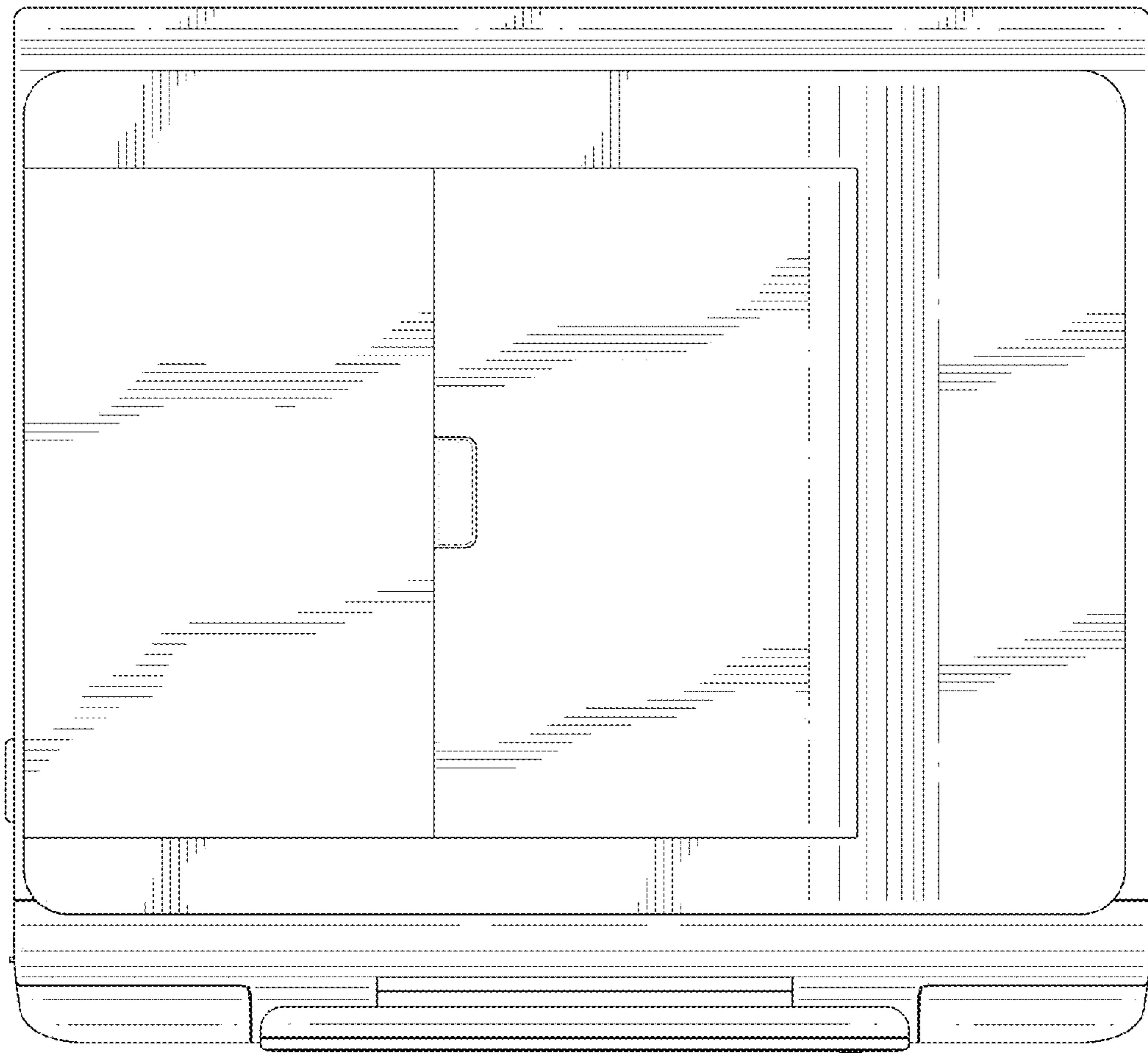


FIG. 3

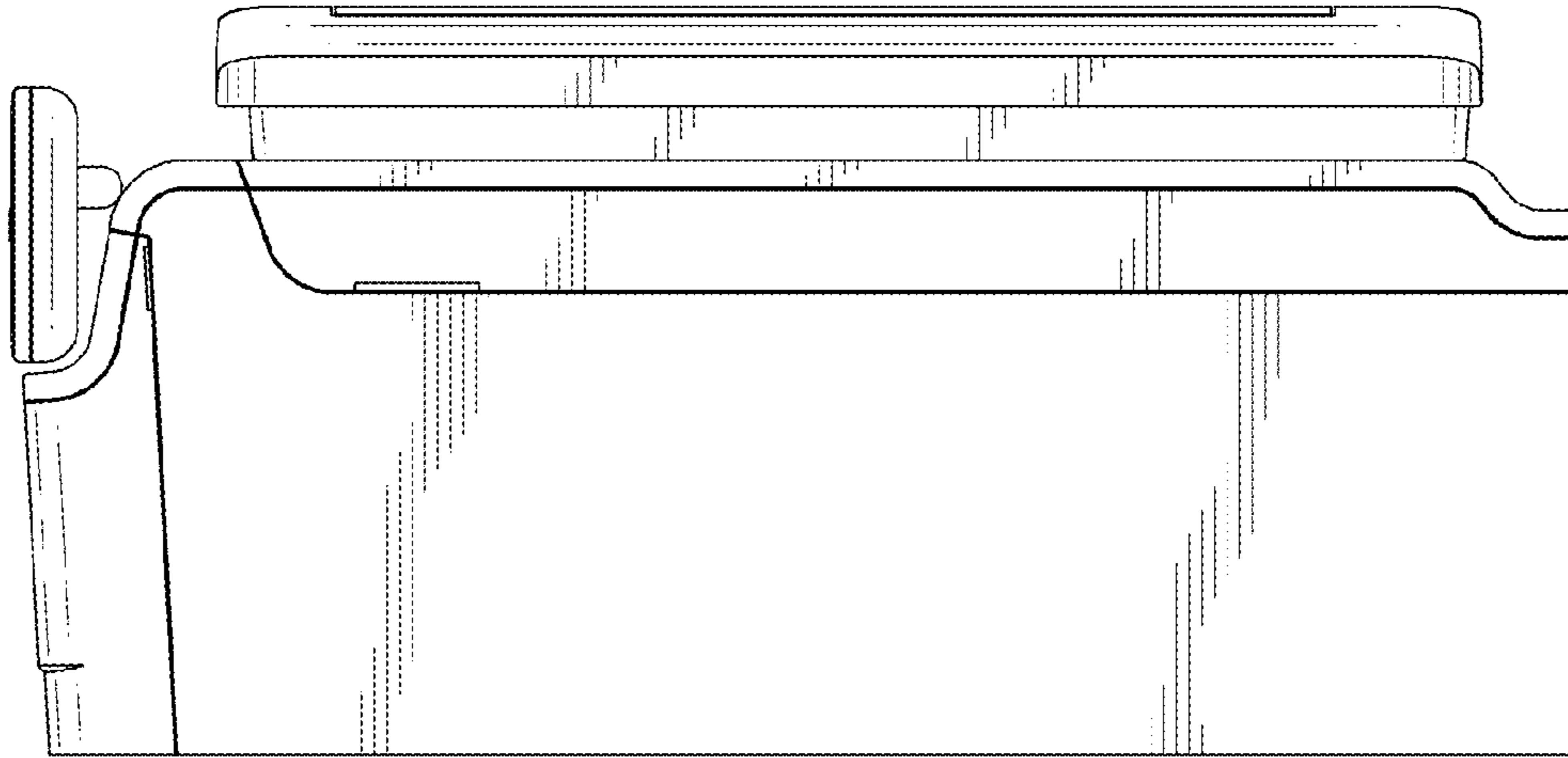


FIG. 4

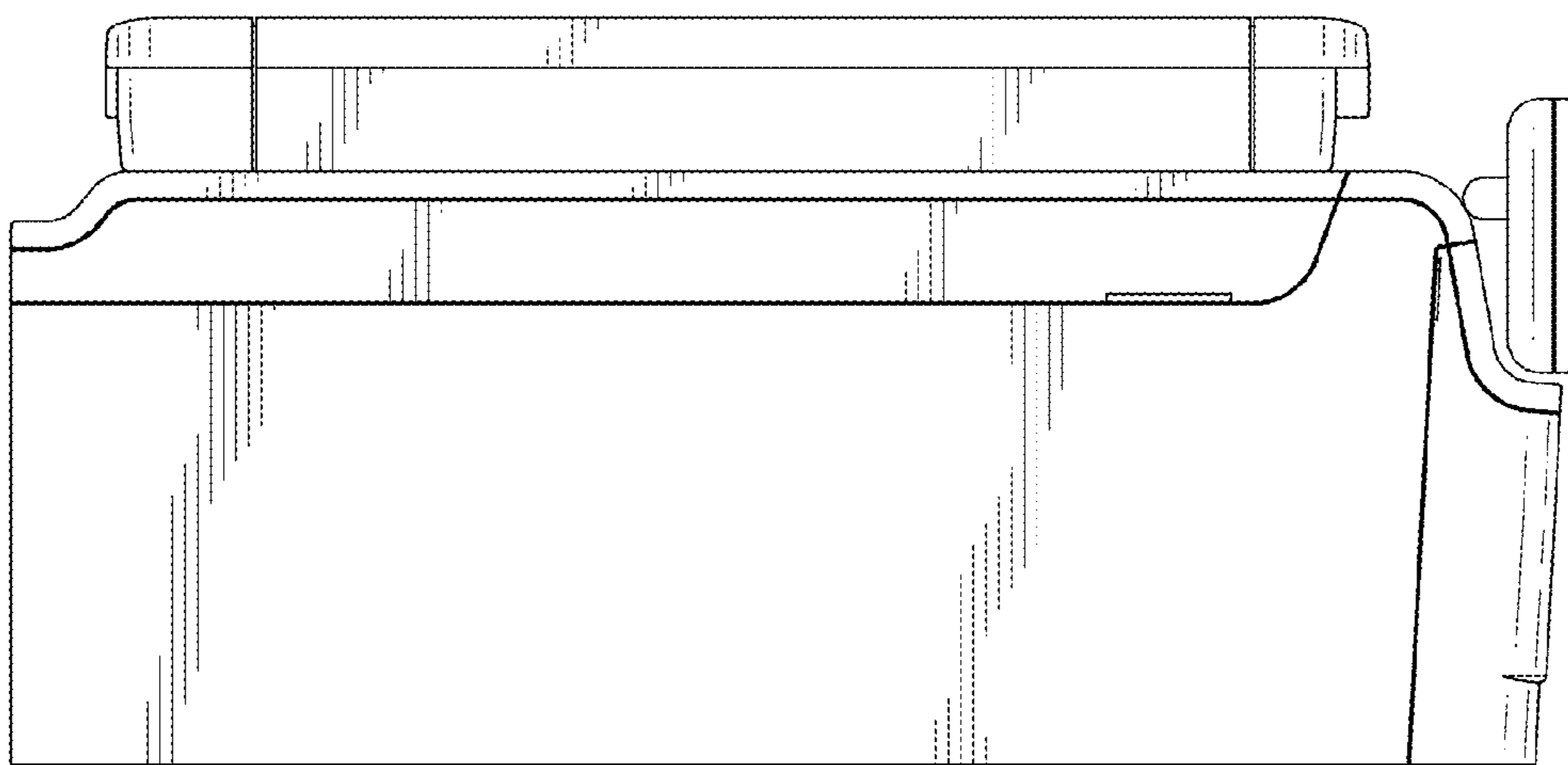


FIG. 5

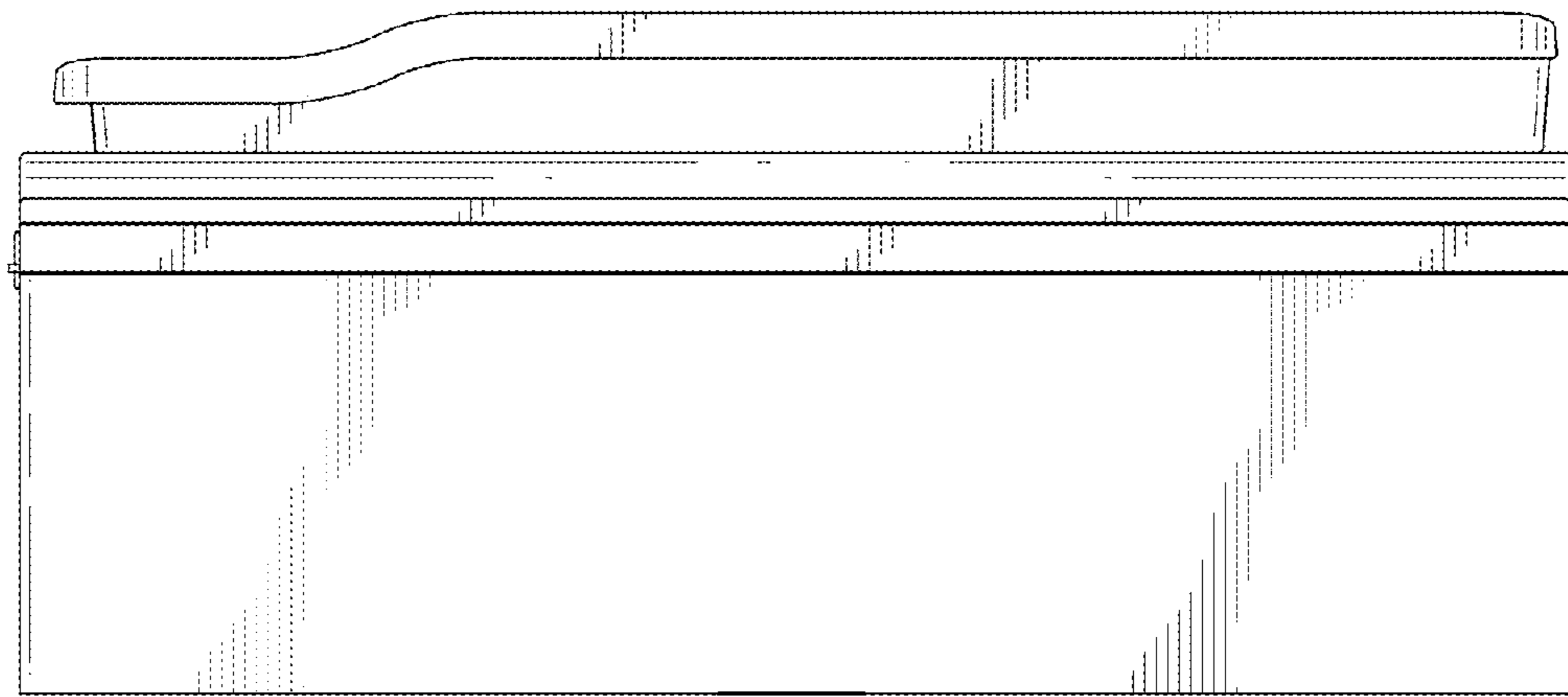


FIG.6

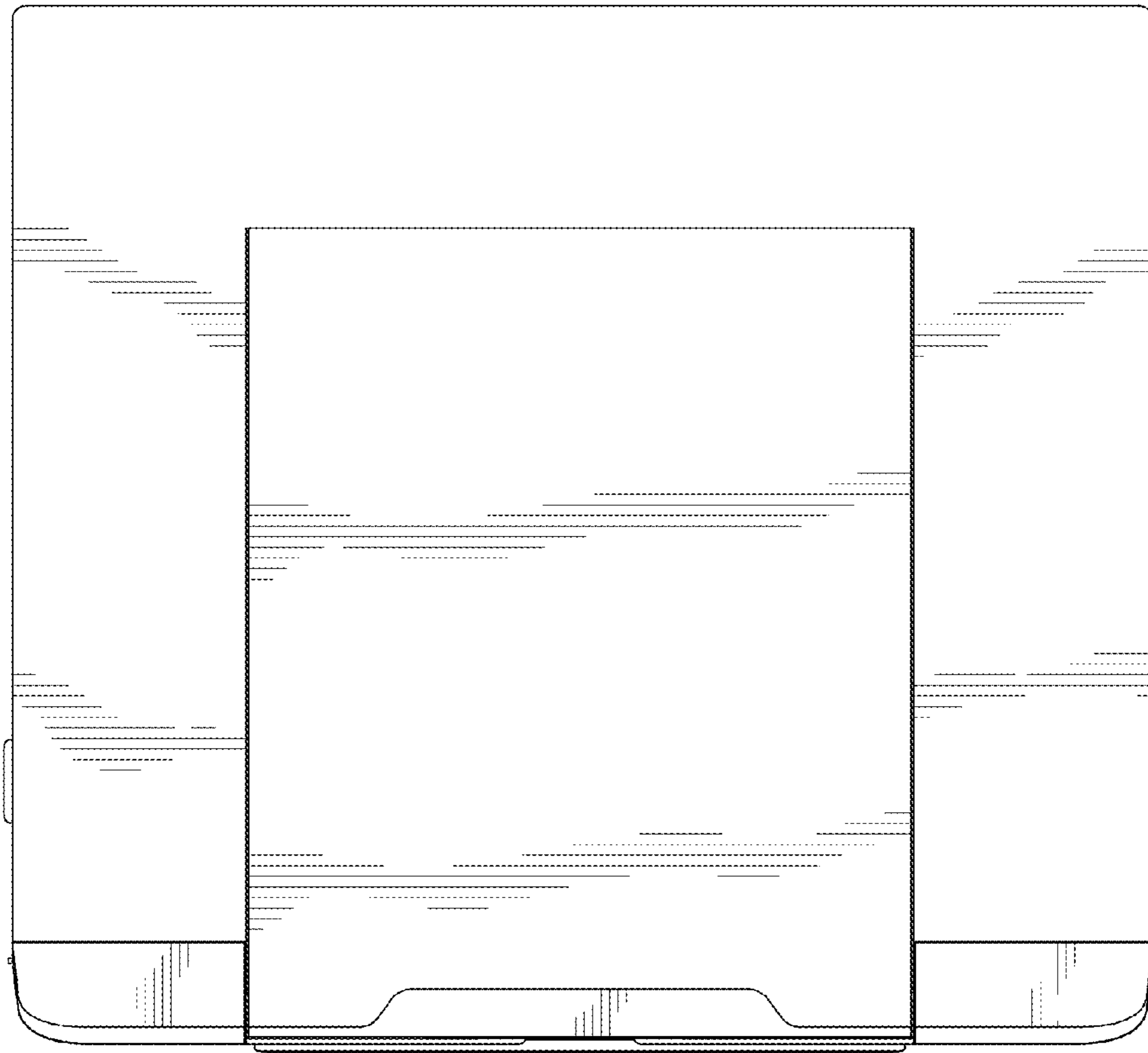


FIG. 7