



US00D681720S

(12) **United States Design Patent**
Inada

(10) **Patent No.:** **US D681,720 S**

(45) **Date of Patent:** **** May 7, 2013**

(54) **PRINTER**

(75) Inventor: **Toshiya Inada**, Nagoya (JP)

(73) Assignee: **Brother Industries, Ltd.**, Nagoya (JP)

(**) Term: **14 Years**

(21) Appl. No.: **29/416,783**

(22) Filed: **Mar. 27, 2012**

(30) **Foreign Application Priority Data**

Oct. 24, 2011 (JP) 2011-24326

(51) **LOC (9) Cl.** **14-02**

(52) **U.S. Cl.**
USPC **D18/50**

(58) **Field of Classification Search** D18/14,
D18/19, 36-37, 50, 54, 54.1, 55; D14/452-425,
D14/463-470; 400/613, 613.1-613.4, 690,
400/690.1-690.4, 691-694
See application file for complete search history.

(56) **References Cited**

U.S. PATENT DOCUMENTS

D340,721 S * 10/1993 Hirose et al. D14/464
D552,167 S * 10/2007 Lee et al. D18/50

D593,149 S * 5/2009 Park et al. D18/55
D614,234 S * 4/2010 Ishikawa et al. D18/55
D643,039 S * 8/2011 Wilday et al. D14/422
D645,897 S 9/2011 Chuang et al.
D648,377 S * 11/2011 Miyauchi et al. D18/50
D662,130 S * 6/2012 Kitazawa et al. D18/50
D664,192 S 7/2012 Emmenegger et al.

* cited by examiner

Primary Examiner — Cathy A MacCormac

(74) *Attorney, Agent, or Firm* — Oliff & Berridge, PLC

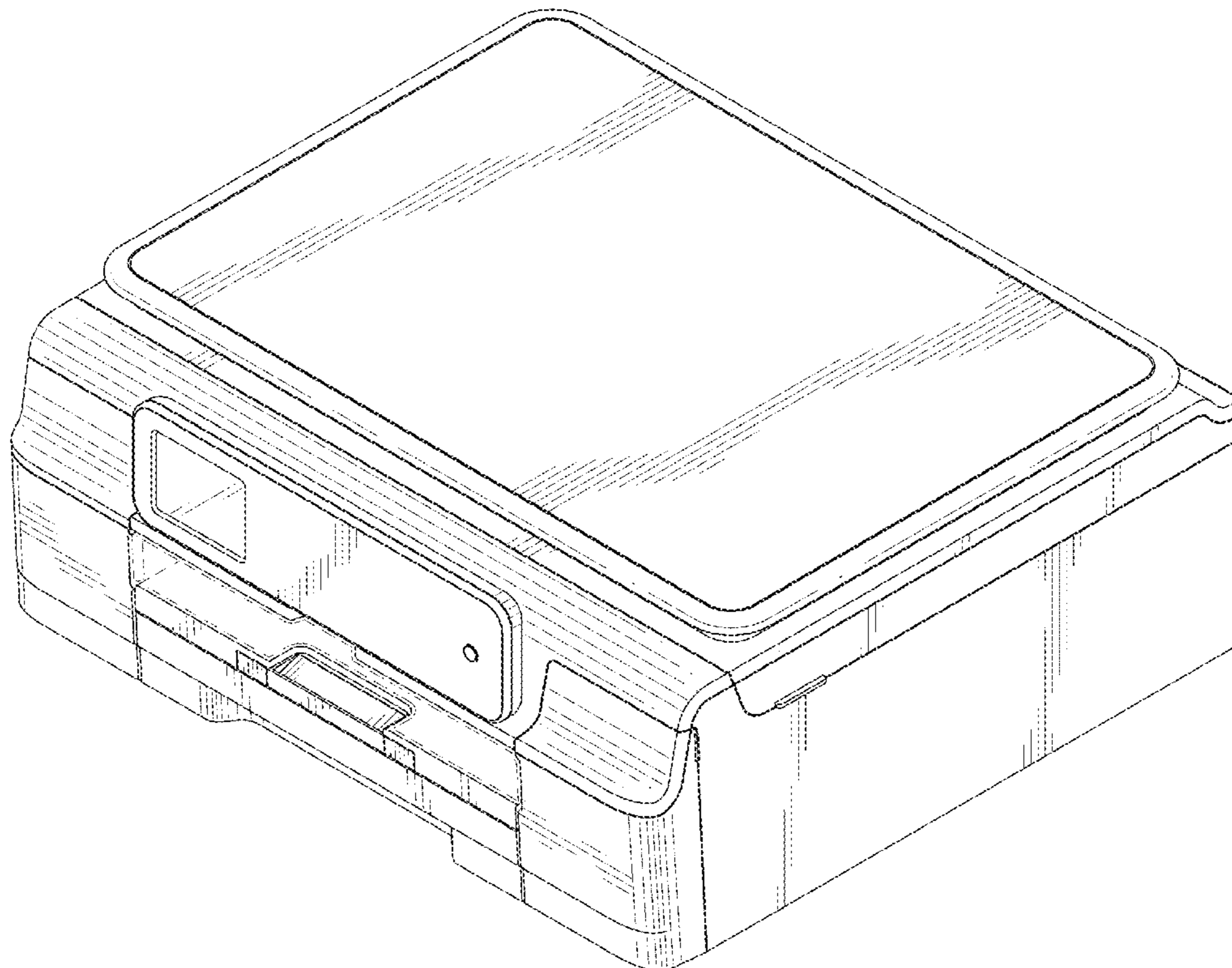
(57) **CLAIM**

The ornamental design for a printer, as shown and described.

DESCRIPTION

FIG. 1 is a perspective view of a printer;
FIG. 2 is a front view thereof;
FIG. 3 is a top view thereof;
FIG. 4 is a right-side view thereof;
FIG. 5 is a left-side view thereof;
FIG. 6 is a rear view thereof; and,
FIG. 7 is a bottom view thereof.
The broken lines depict unclaimed portions only and form no part of the claimed design.

1 Claim, 6 Drawing Sheets



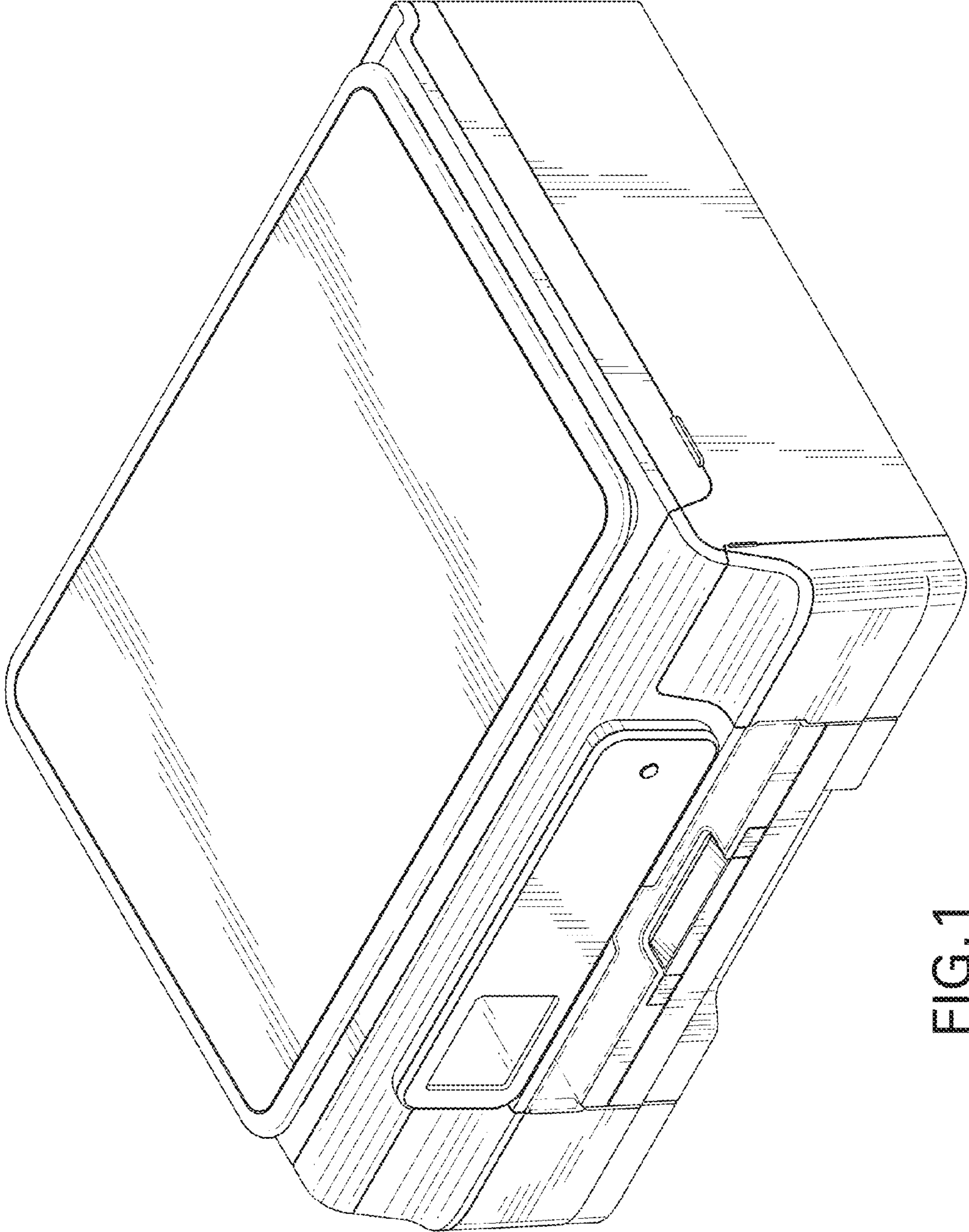


FIG.1

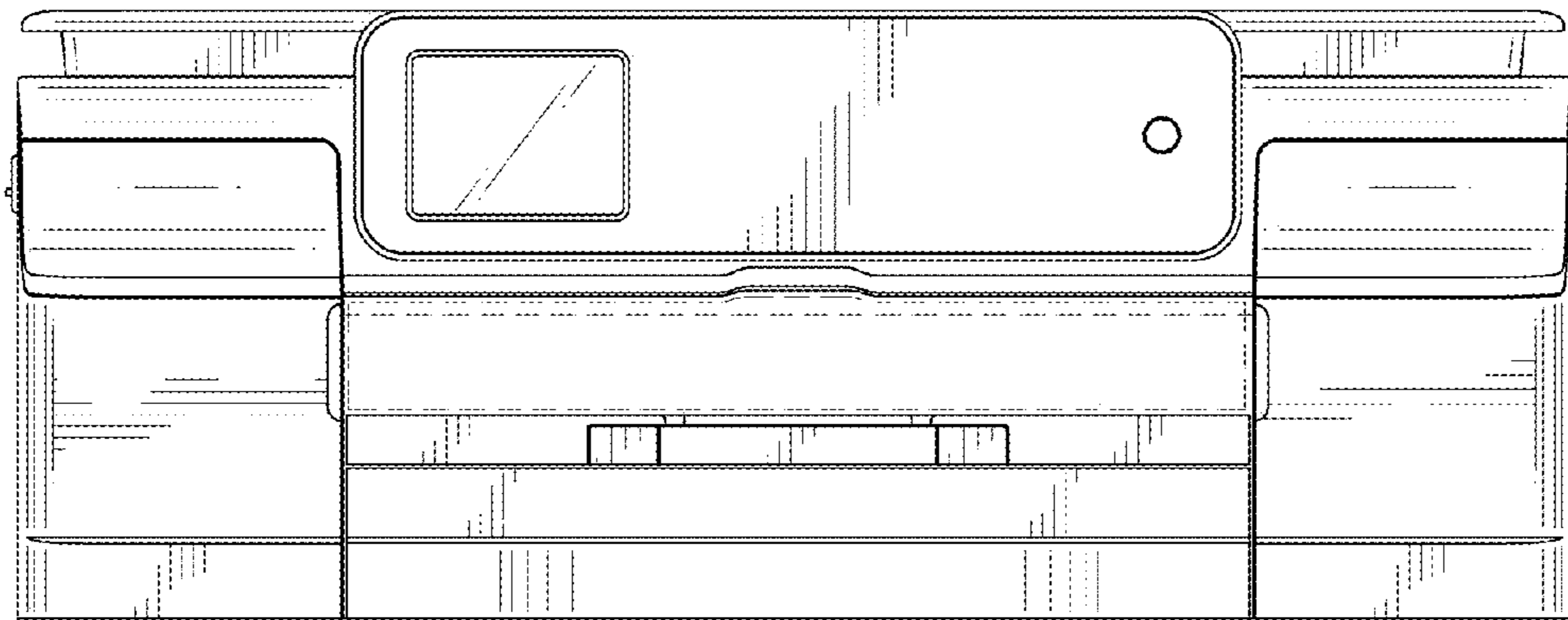


FIG.2

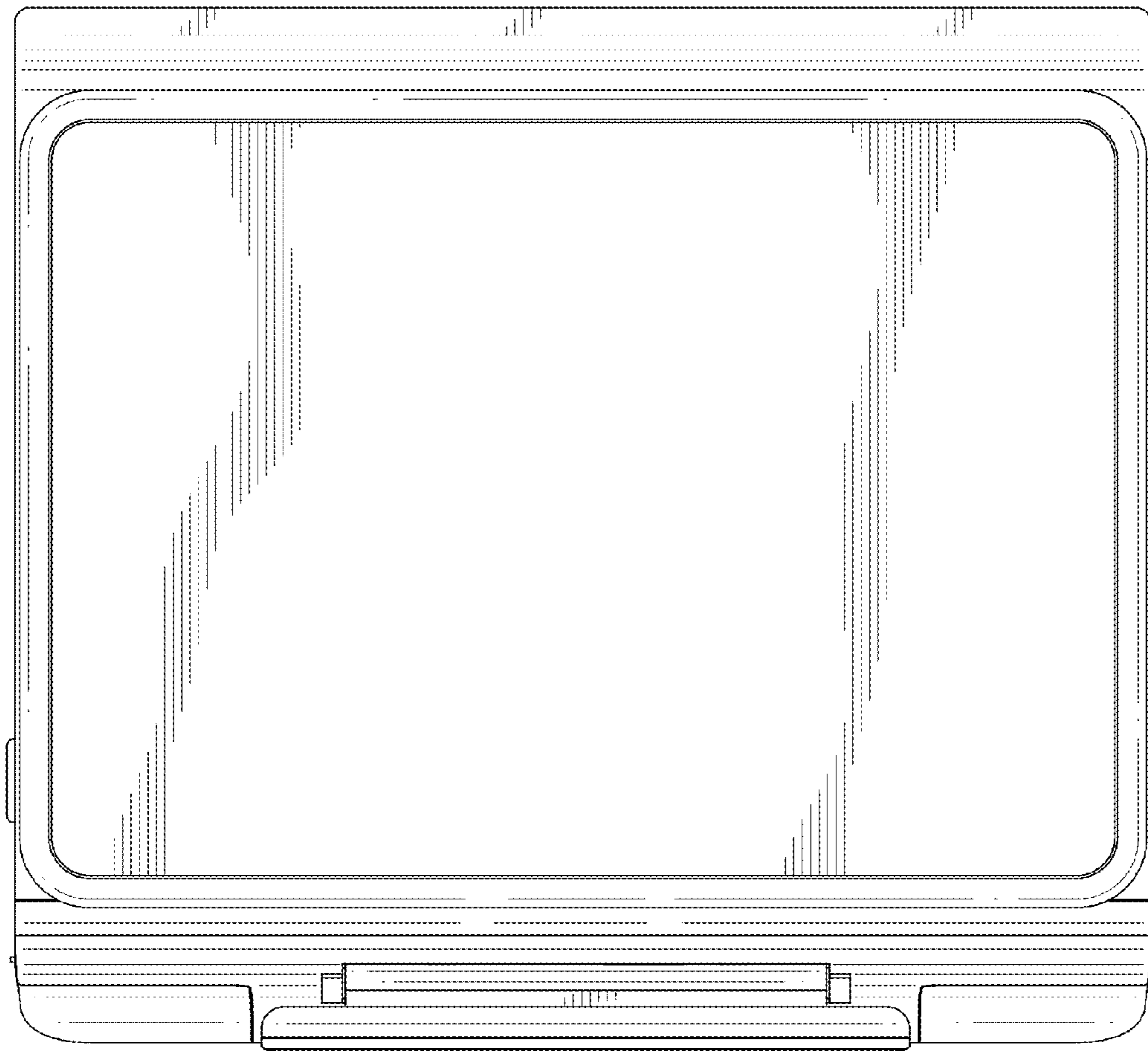


FIG.3

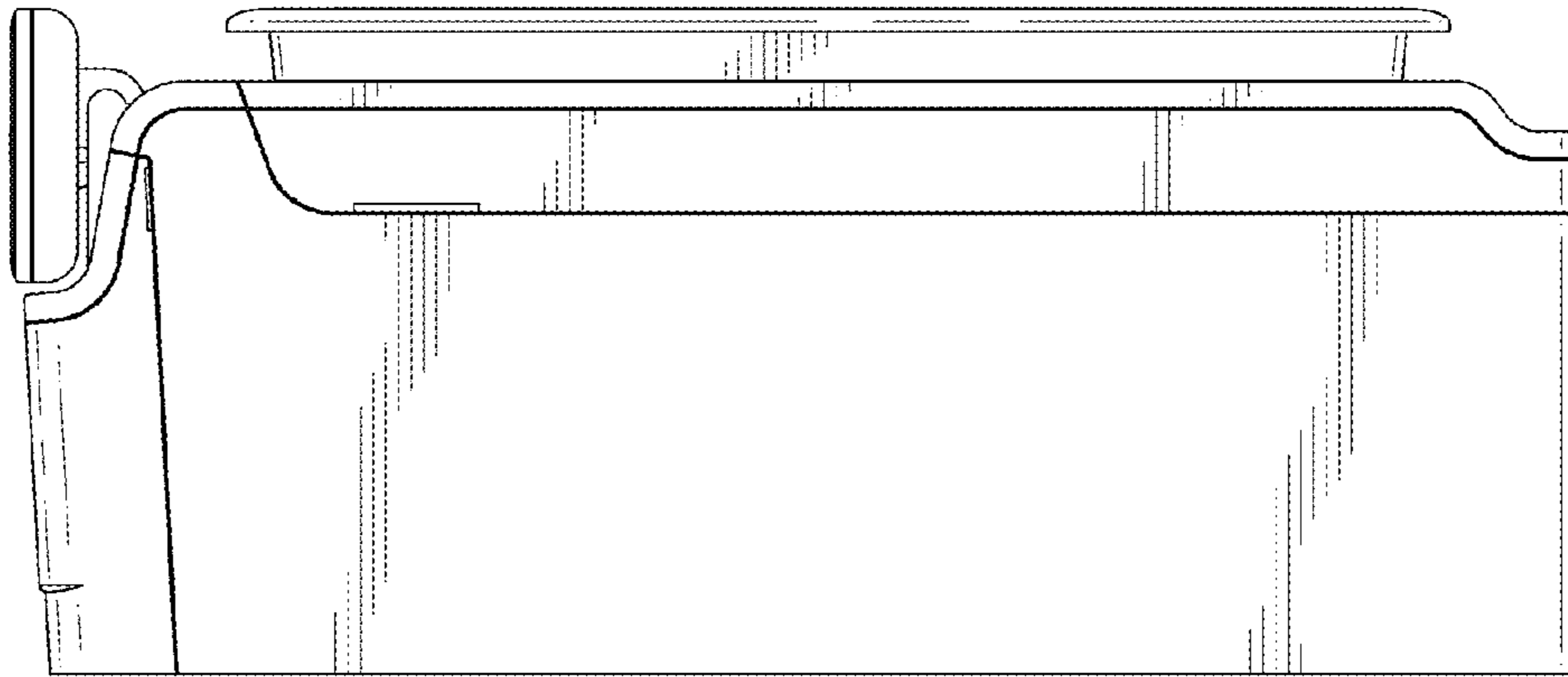


FIG. 4

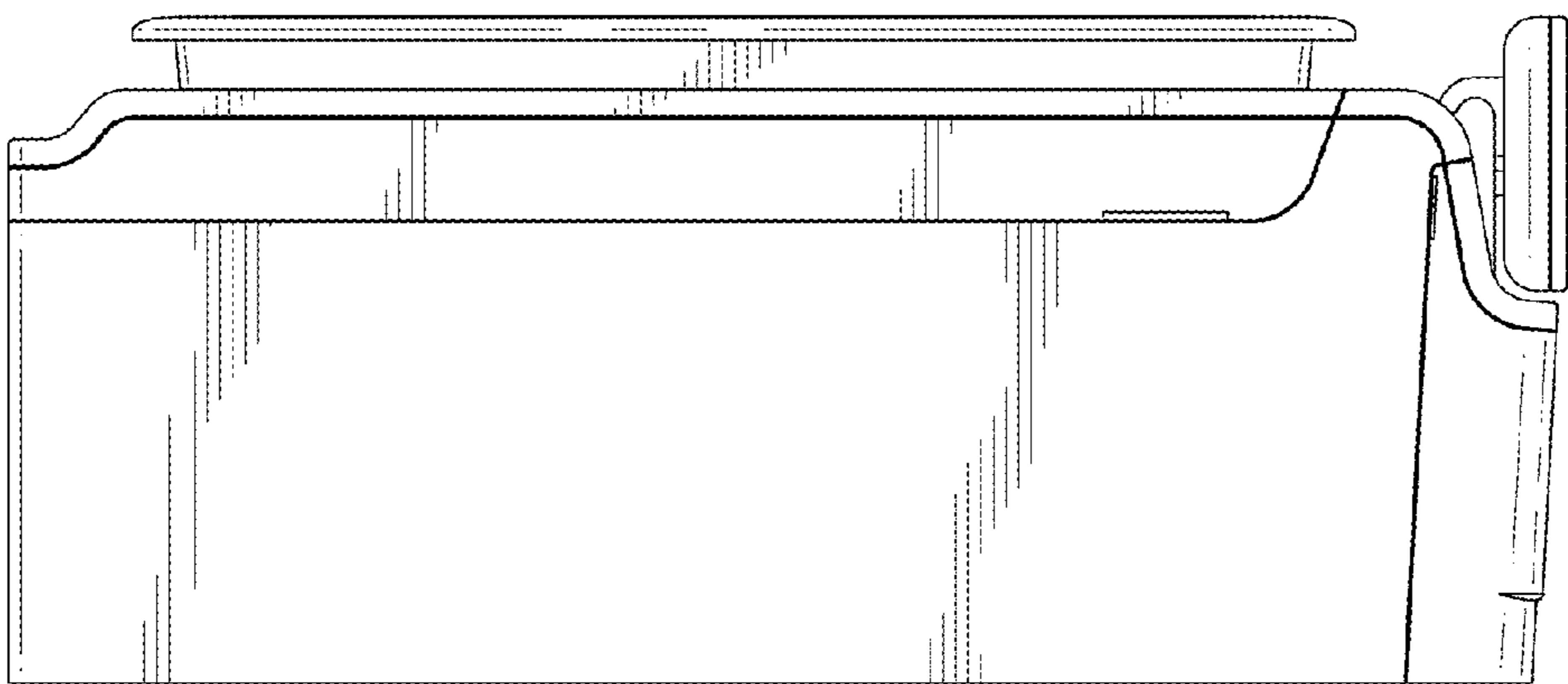


FIG. 5

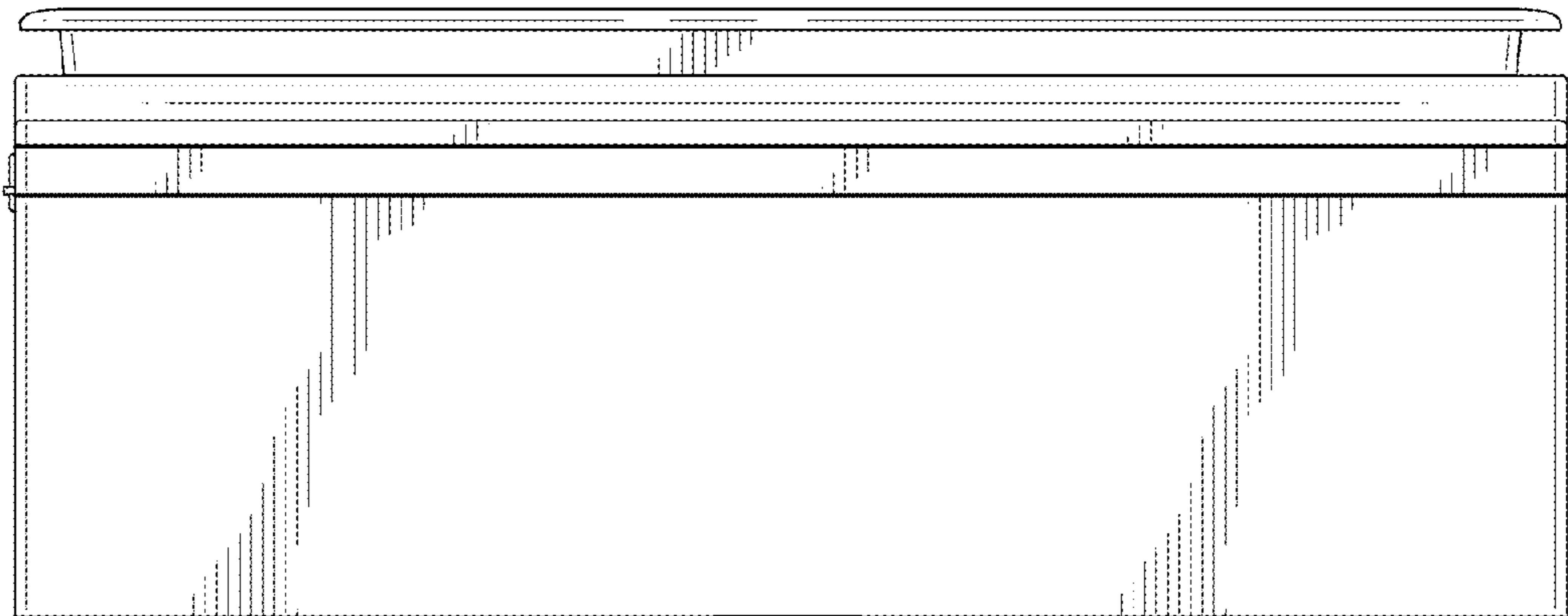


FIG.6

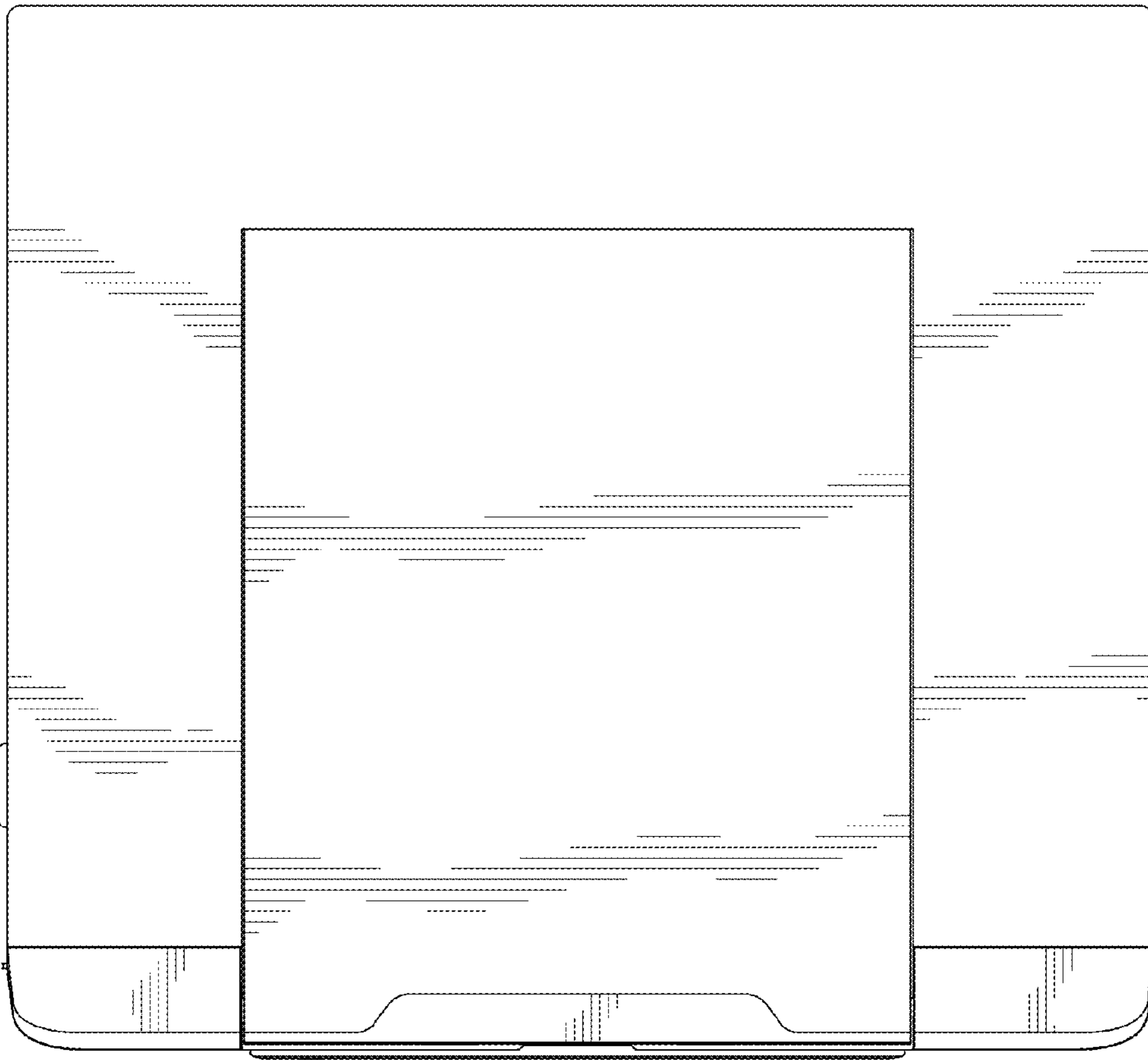


FIG. 7