



US00D681715S

(12) **United States Design Patent**
Tanaka

(10) **Patent No.:** **US D681,715 S**

(45) **Date of Patent:** **** May 7, 2013**

(54) **NOSE PAD FOR EYE GLASSES**
(75) **Inventor:** **Hitoshi Tanaka**, Maebashi (JP)

7,631,967 B1 * 12/2009 Huang 351/138
7,931,365 B2 * 4/2011 Feng et al. 351/86
D651,642 S * 1/2012 Fuchs D16/333

(73) **Assignee:** **Jin Co., Ltd.**, Gunma (JP)

FOREIGN PATENT DOCUMENTS

(**) **Term:** **14 Years**

JP D1239268 5/2005
JP 2006-106273 4/2006
JP D1398498 10/2010
JP D1398499 10/2010

(21) **Appl. No.:** **29/384,266**

* cited by examiner

(22) **Filed:** **Jan. 28, 2011**

Primary Examiner — Raphael Barkai
Assistant Examiner — Randall Gholson

(30) **Foreign Application Priority Data**

(74) *Attorney, Agent, or Firm* — J.C. Patents

Jul. 30, 2010 (JP) 2010-018691

(51) **LOC (9) Cl.** **16-06**

(57) **CLAIM**

(52) **U.S. Cl.**
USPC **D16/333**

The ornamental design for a nose pad for eye glasses, as shown and described.

(58) **Field of Classification Search** D16/101,
D16/300-342, 900; D29/109, 110; D24/110.2;
351/41, 44, 51, 52, 62, 158, 92, 103-123,
351/140, 153, 45, 46, 78-80, 136-139; 2/447-449,
2/441, 434-437, 13, 15; D21/483, 659-661
See application file for complete search history.

DESCRIPTION

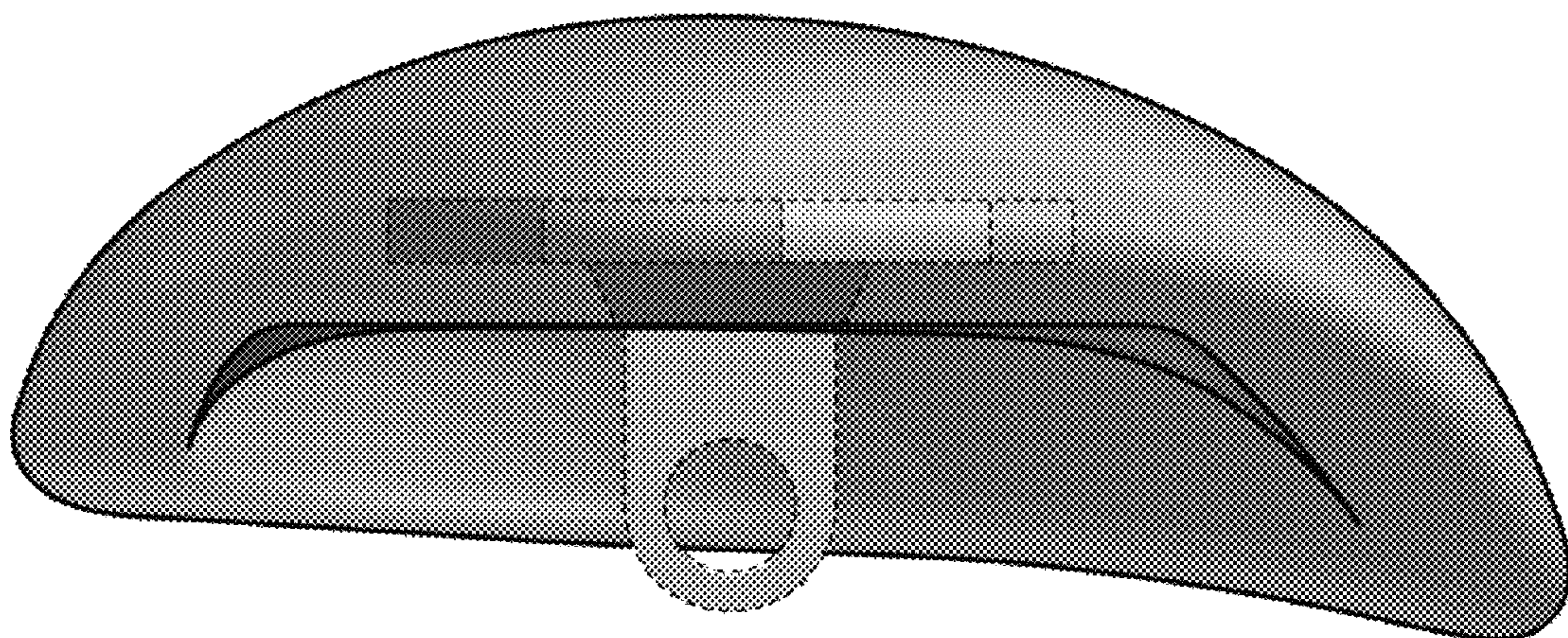
(56) **References Cited**

FIG. 1 is a front view of a nose pad for eye glasses showing my new design;
FIG. 2 is a rear view thereof;
FIG. 3 is a left side view thereof;
FIG. 4 is a right side view thereof;
FIG. 5 is a top view thereof;
FIG. 6 is a bottom view thereof; and,
FIG. 7 is a cross-sectional view taken along line 7-7 in FIG. 5.
In FIGS. 1-7, the portions shown in solid lines are claimed, and the portions shown in broken lines are for illustrative purposes only and form no part of the claimed design.

U.S. PATENT DOCUMENTS

6,767,096 B2 * 7/2004 Hiramoto 351/110
6,843,561 B2 * 1/2005 Krumme 351/110
7,147,322 B2 * 12/2006 Spindelbaker 351/138
7,219,993 B1 * 5/2007 Chiou 351/103
7,513,618 B2 * 4/2009 Mikame 351/136
7,559,646 B2 * 7/2009 Kwan 351/137
7,585,072 B1 * 9/2009 Wang-Lee 351/138

1 Claim, 4 Drawing Sheets



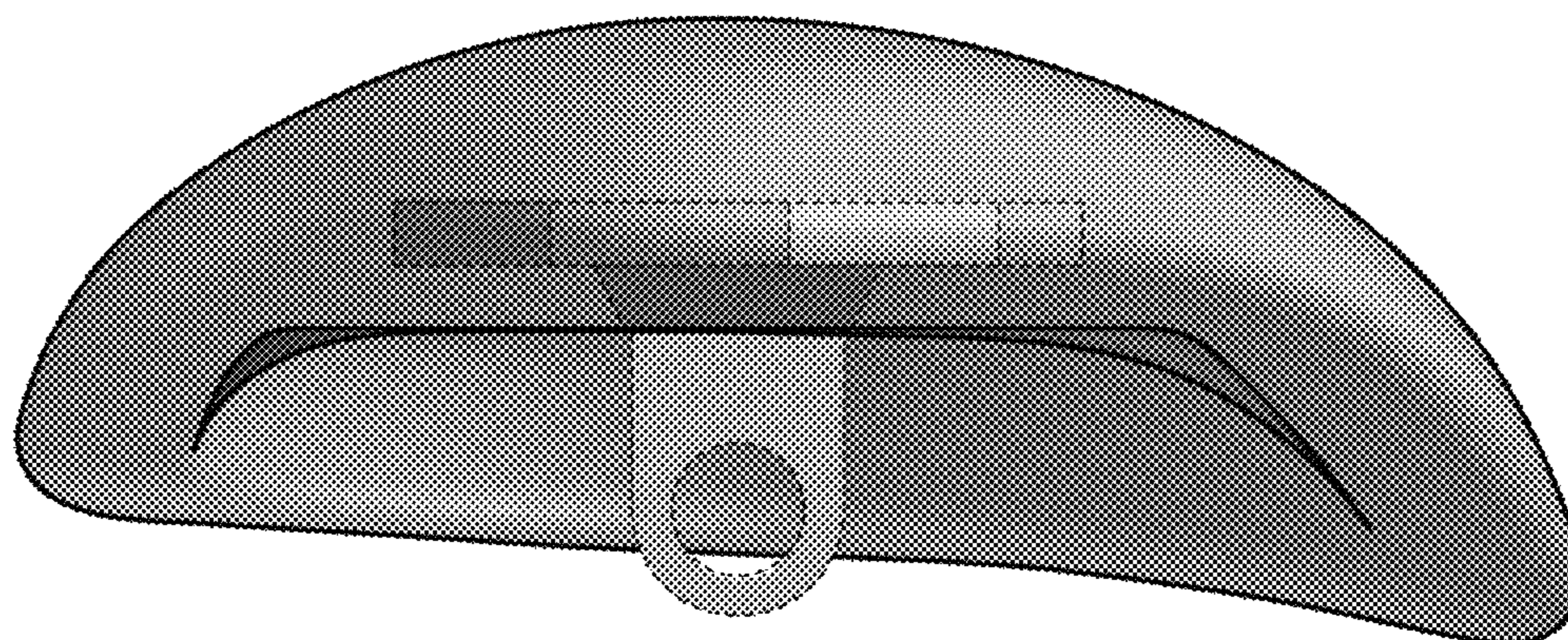


FIG. 1

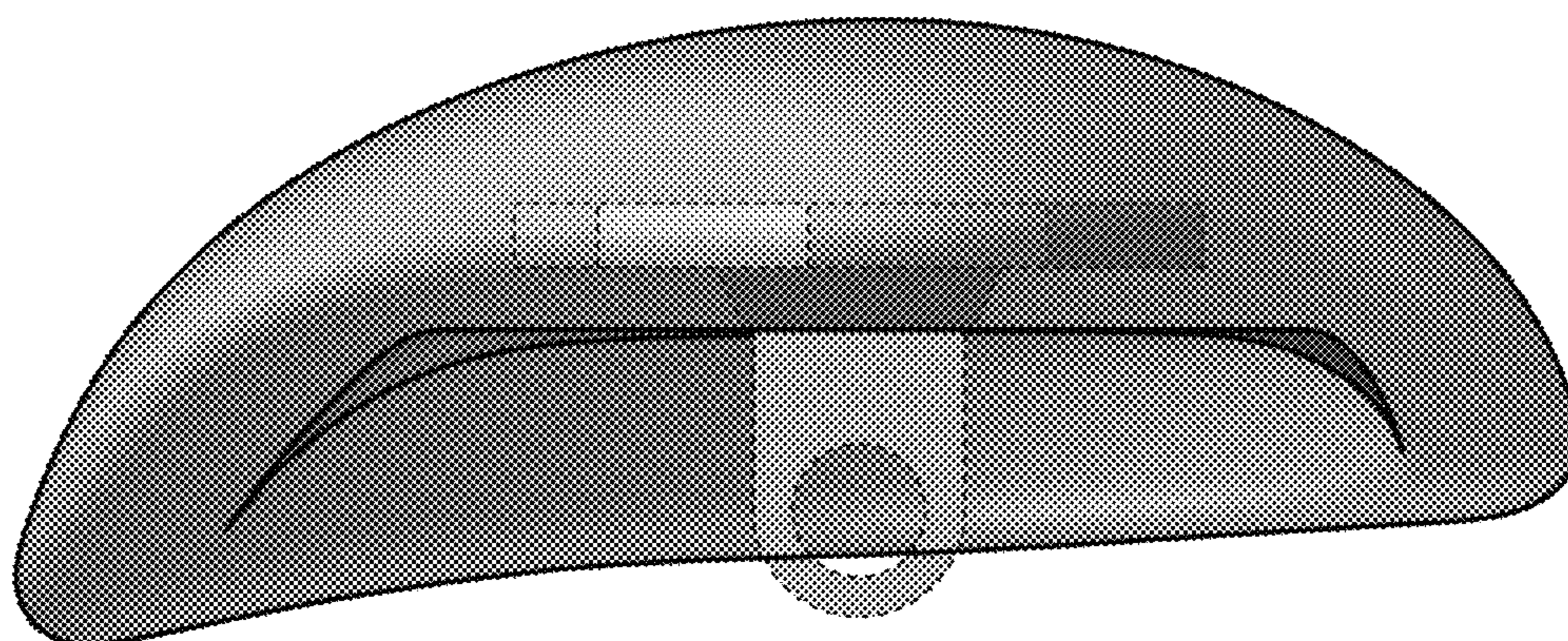


FIG. 2

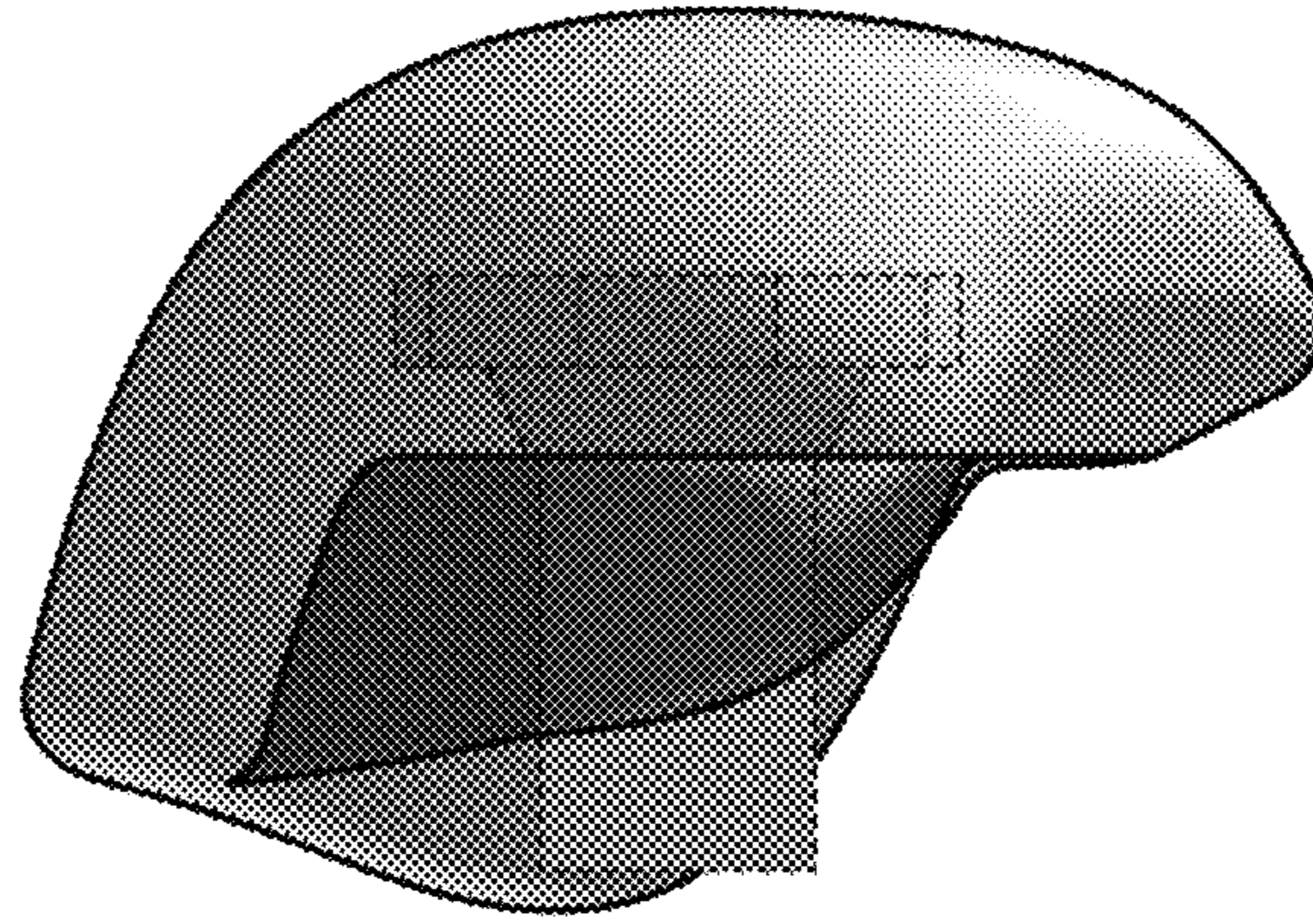


FIG. 3

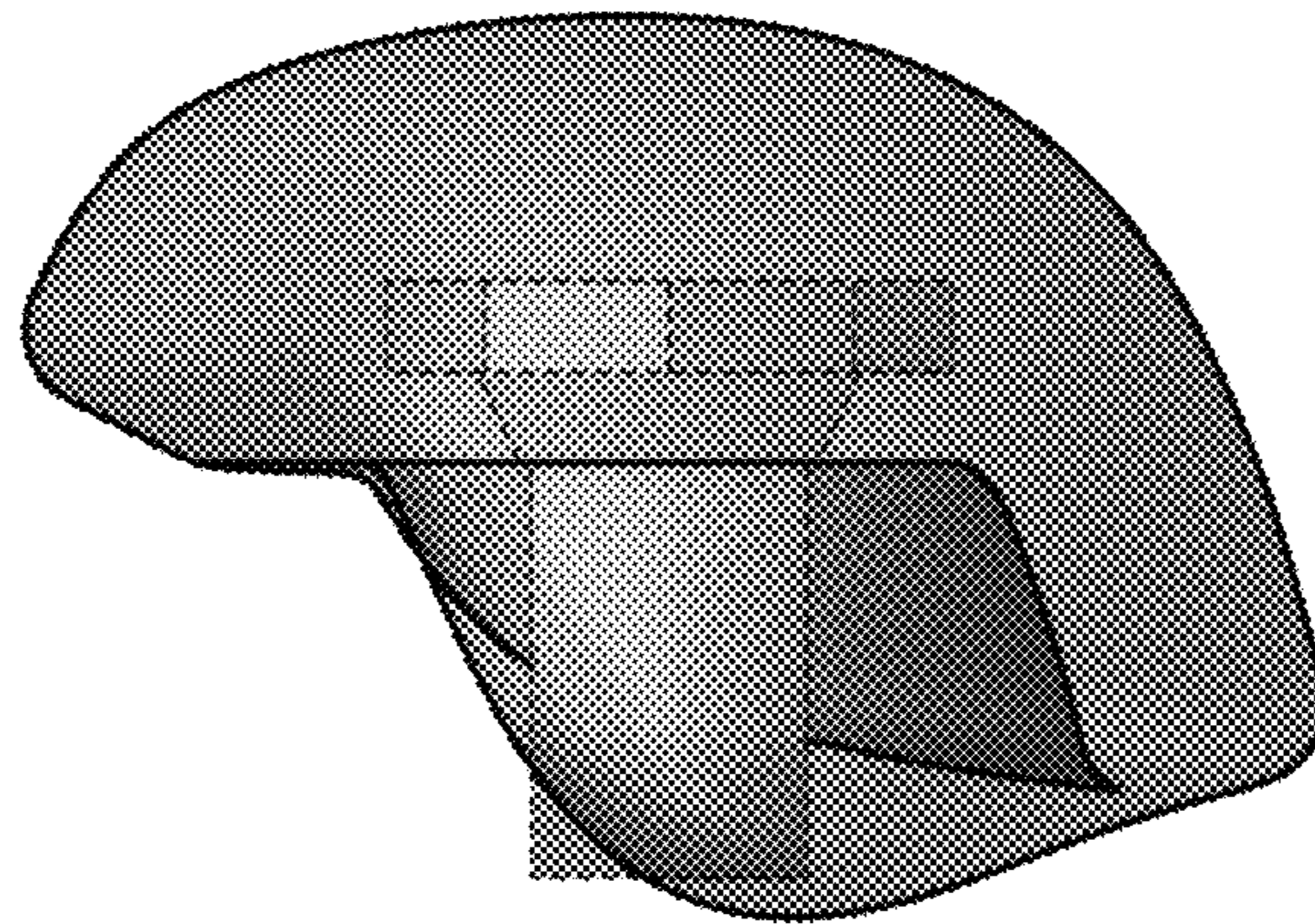


FIG. 4

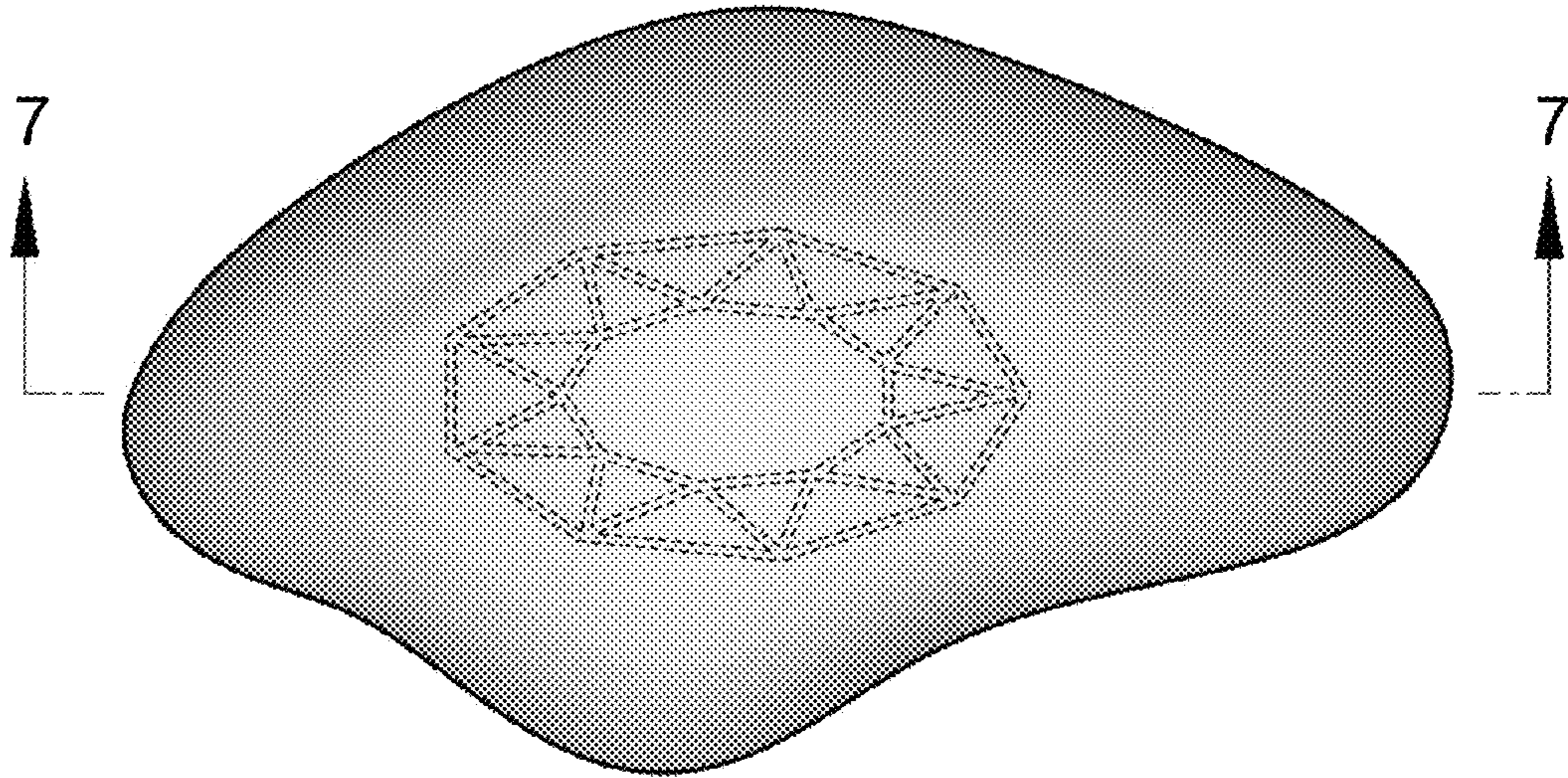


FIG. 5

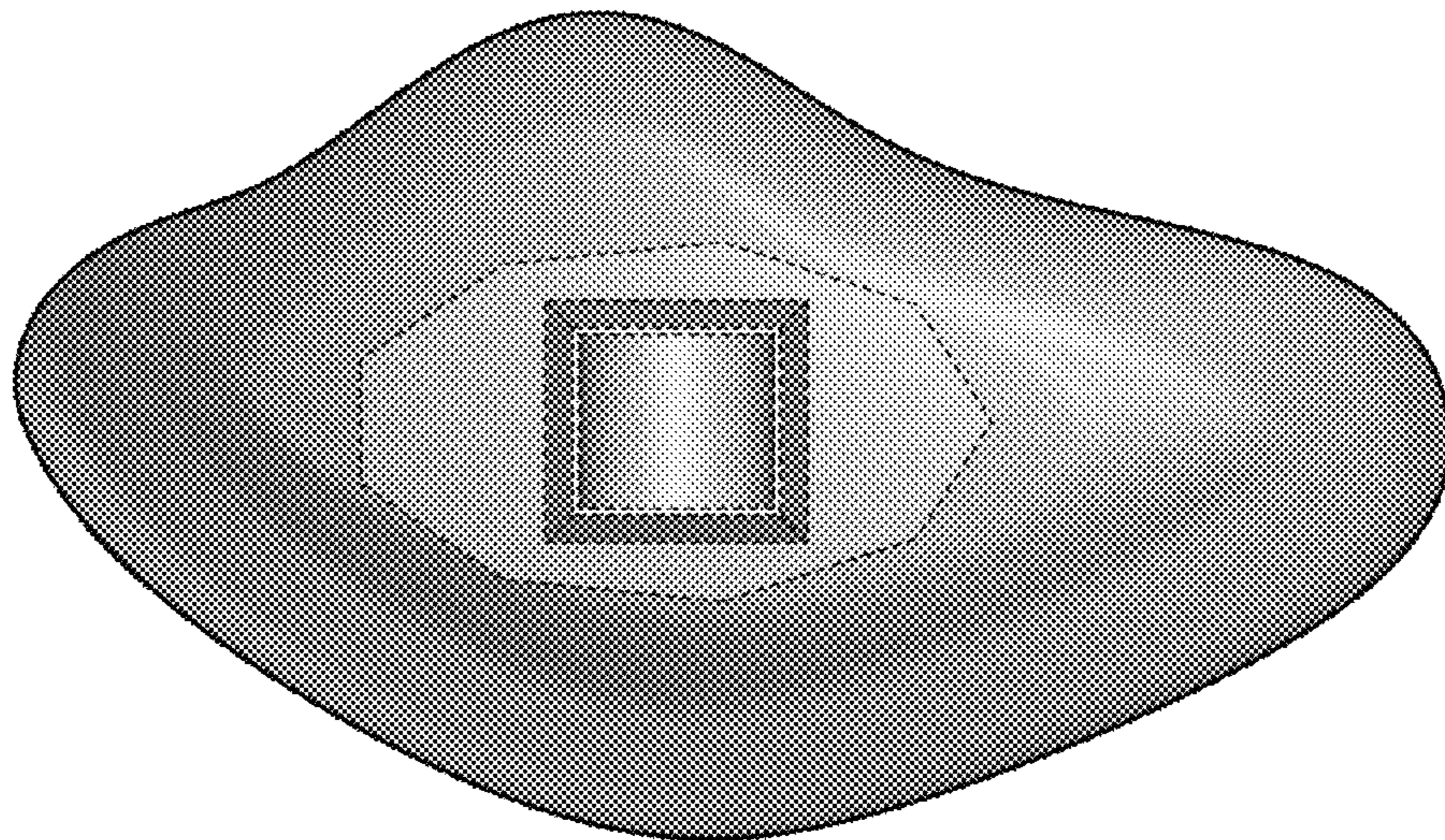


FIG. 6

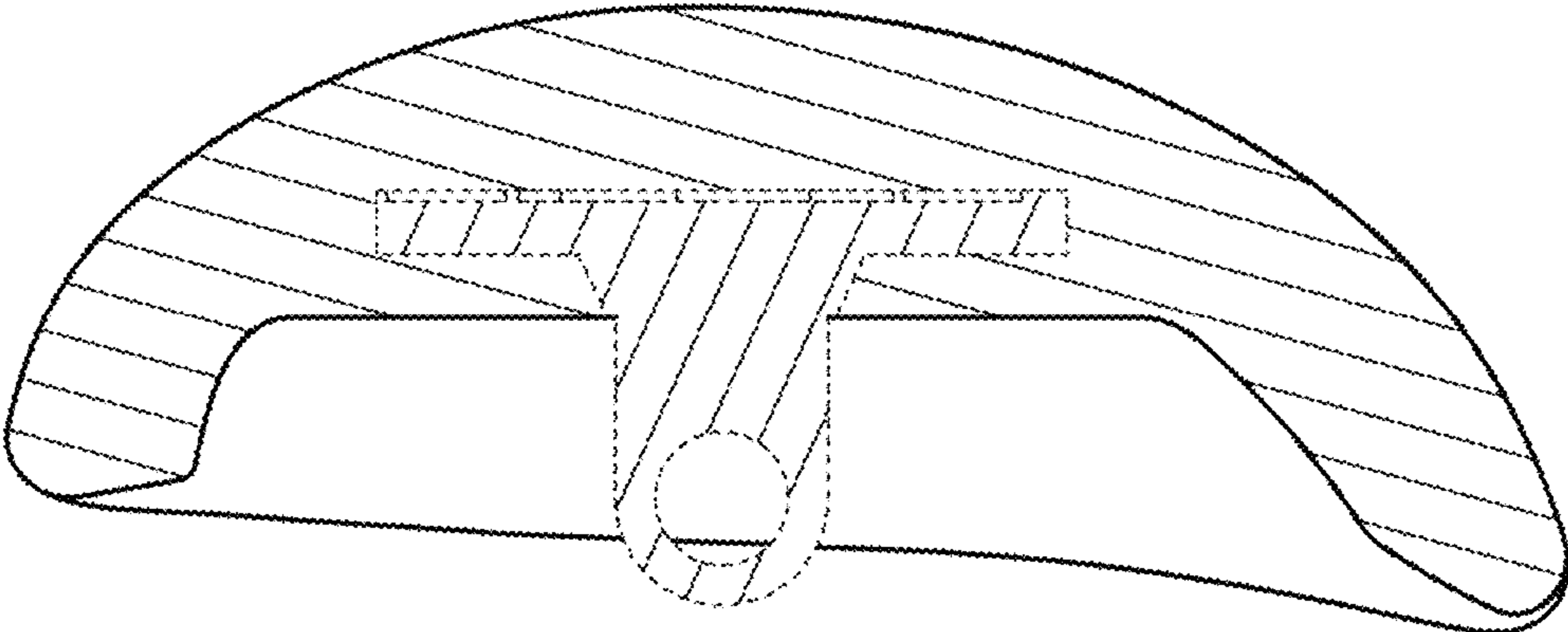


FIG. 7