



US00D681714S

(12) **United States Design Patent**
Lin

(10) **Patent No.:** **US D681,714 S**

(45) **Date of Patent:** **** May 7, 2013**

(54) **PROJECTOR DOCKING FOR MOBILE PHONE**

(75) Inventor: **You-Ruei Lin**, New Taipei (TW)

(73) Assignee: **Cheng Uei Precision Industry Co., Ltd.**, New Taipei (TW)

(**) Term: **14 Years**

(21) Appl. No.: **29/411,397**

(22) Filed: **Jan. 19, 2012**

(51) **LOC (9) Cl.** **16-02**

(52) **U.S. Cl.**
USPC **D16/229**; D14/251

(58) **Field of Classification Search** D16/221, D16/225, 229-231, 234-235, 242; D21/514; D14/451-452, 138 R, 142, 217, 238.1, 251, D14/253; D13/107-108, 118; 353/115, 353/119, 122; 248/176.1, 183.1, 184.1, 177.1
See application file for complete search history.

(56) **References Cited**

U.S. PATENT DOCUMENTS

D213,073	S	*	12/1968	Lanigan	D16/229
D494,182	S	*	8/2004	Singer et al.	D14/451
D635,918	S	*	4/2011	Le et al.	D13/108
D667,012	S	*	9/2012	Chen et al.	D14/447

OTHER PUBLICATIONS

Tag Archives: Projectors “OTAS MiLi Power Projector 2 for brings in the big screen advantage for your iPhone/iPod”. CopyRight 2012. [Retrieved on Jan. 3, 2013]. Retrieved from the Internet: <URL: <http://newlaunches.com/archives/tag/projectors>>.*

* cited by examiner

Primary Examiner — Wan Laymon

(74) *Attorney, Agent, or Firm* — Cheng-Ju Chiang

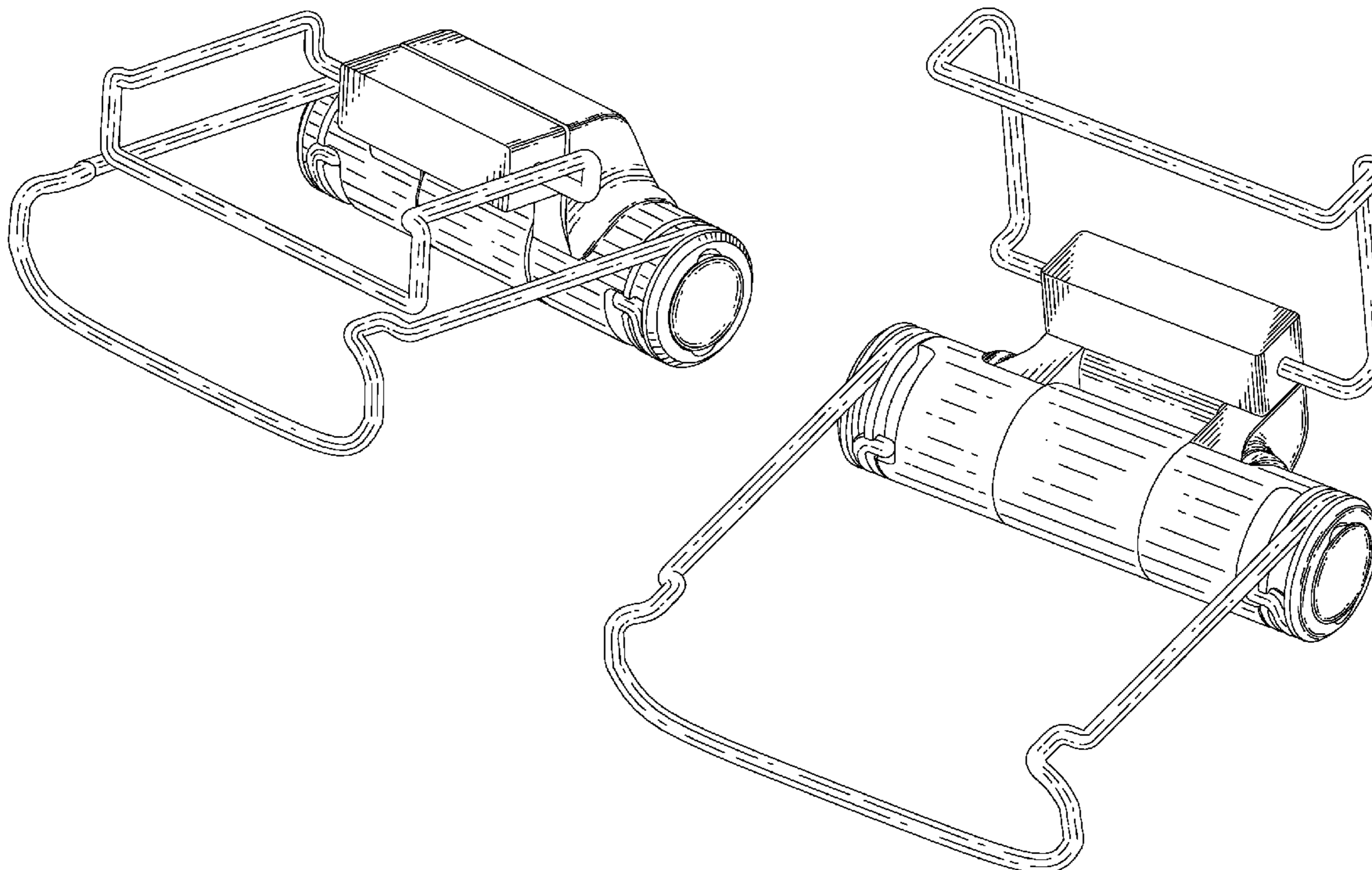
(57) **CLAIM**

The ornamental design for a projector docking for mobile phone, as shown and described.

DESCRIPTION

FIG. 1 is a perspective view of a projector docking for mobile phone showing my new design;
FIG. 2 is a front elevational view thereof;
FIG. 3 is a rear elevational view thereof;
FIG. 4 is a left side elevational view thereof;
FIG. 5 is a right side elevational view thereof;
FIG. 6 is a top plan view thereof;
FIG. 7 is a bottom plan view thereof; and,
FIG. 8 is a perspective view showing the projector docking for mobile phone in an opening state.
The broken lines shown in FIG. 4 represent portions of the projector docking for mobile phone that form no part of the claimed design.

1 Claim, 8 Drawing Sheets



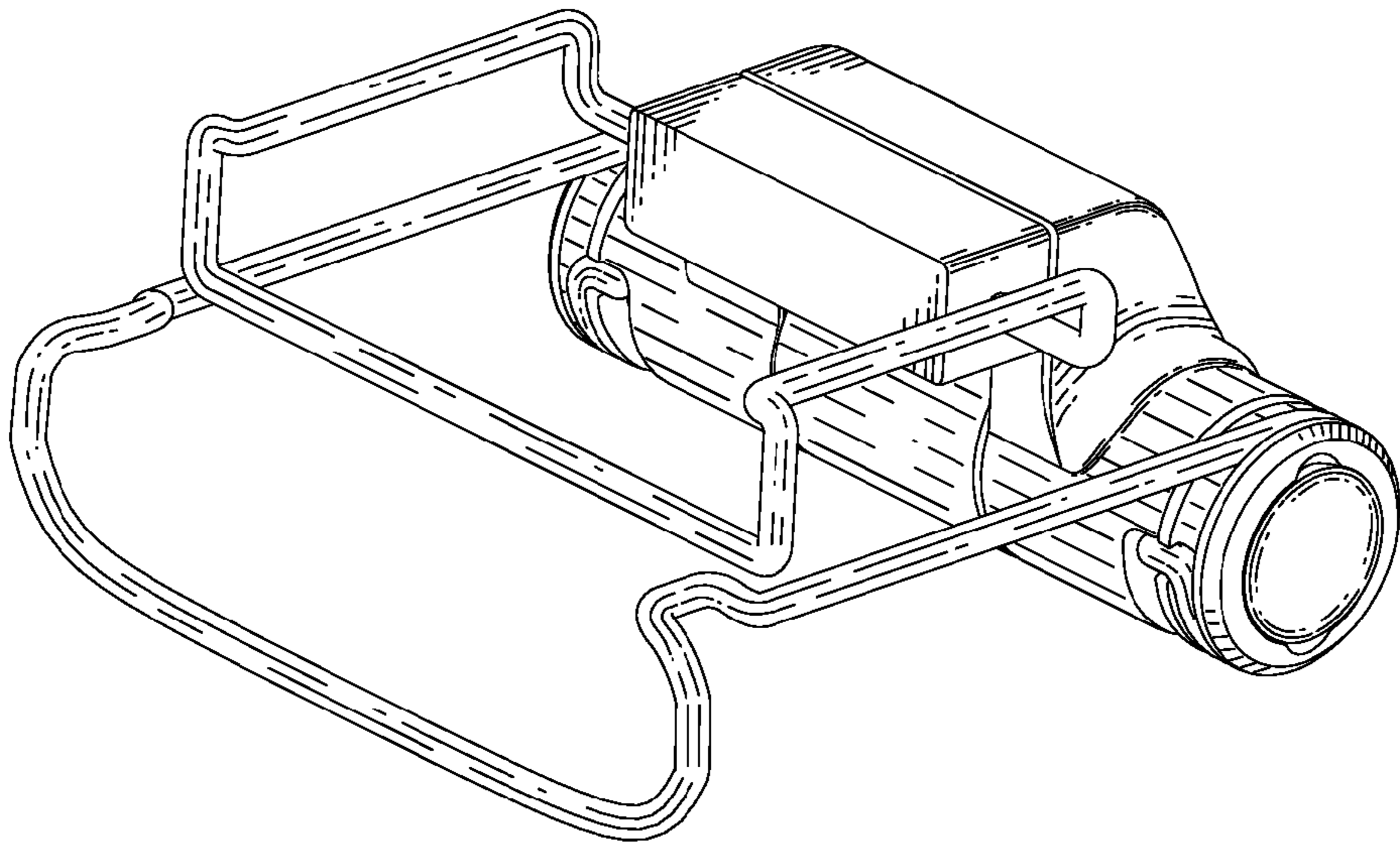


FIG. 1

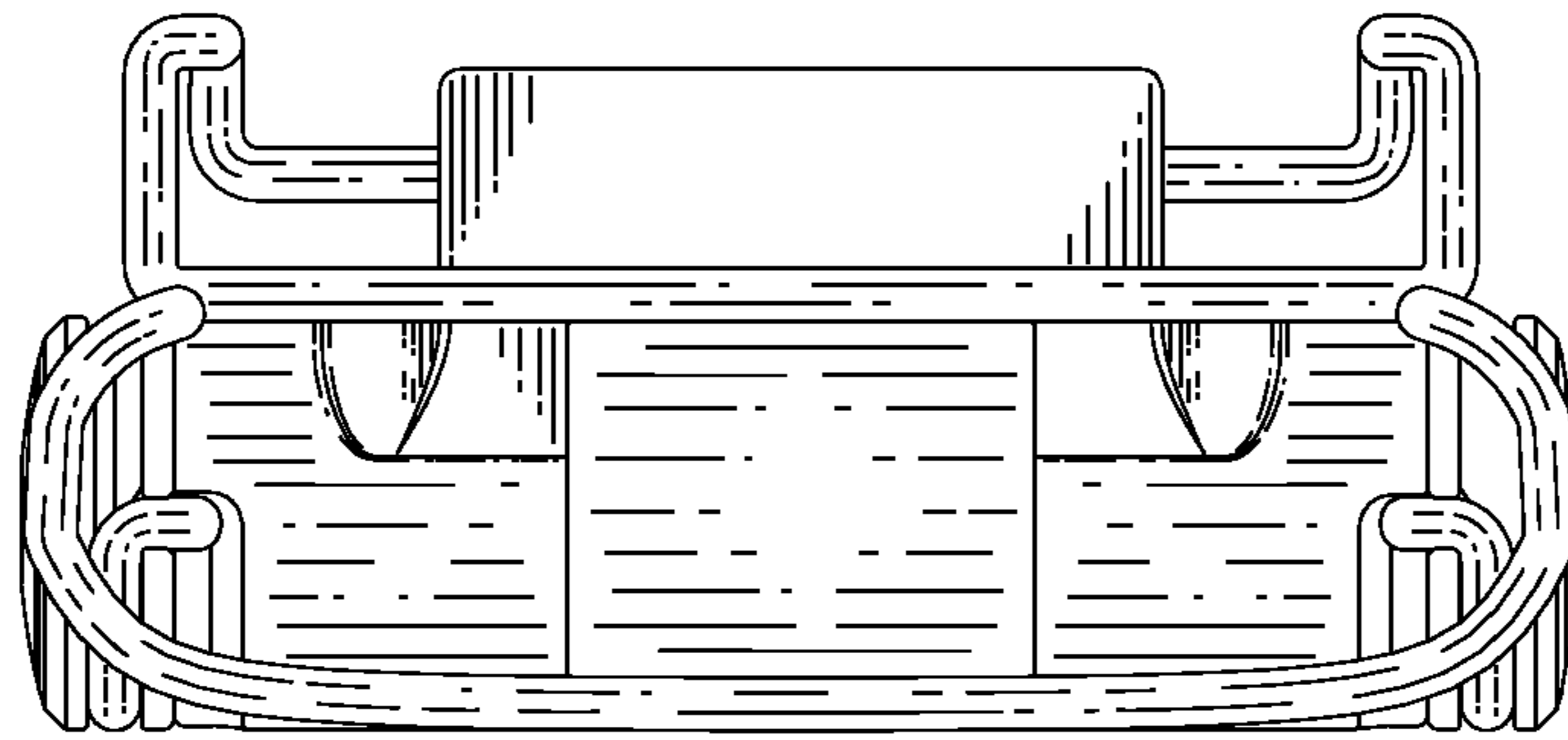


FIG. 2

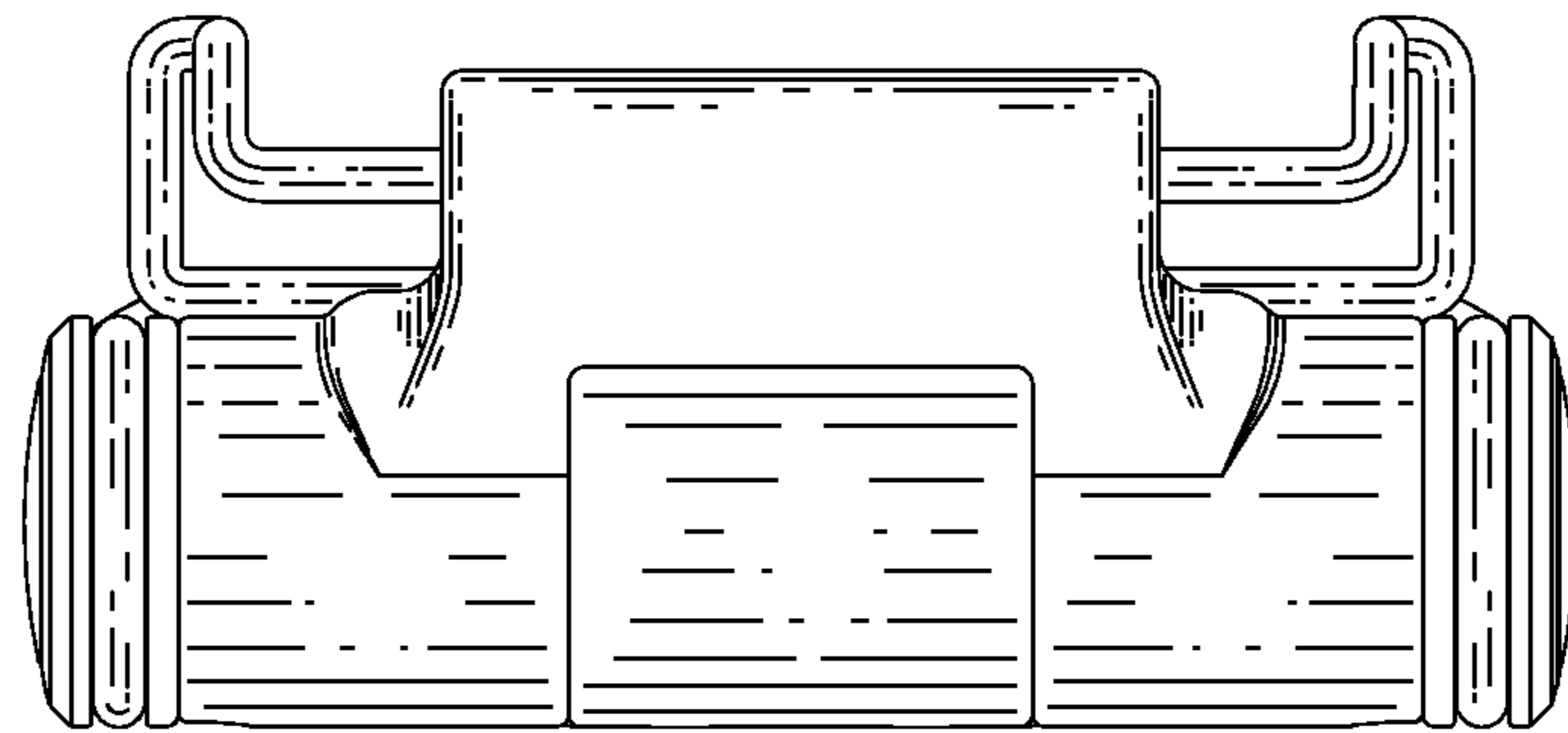


FIG. 3

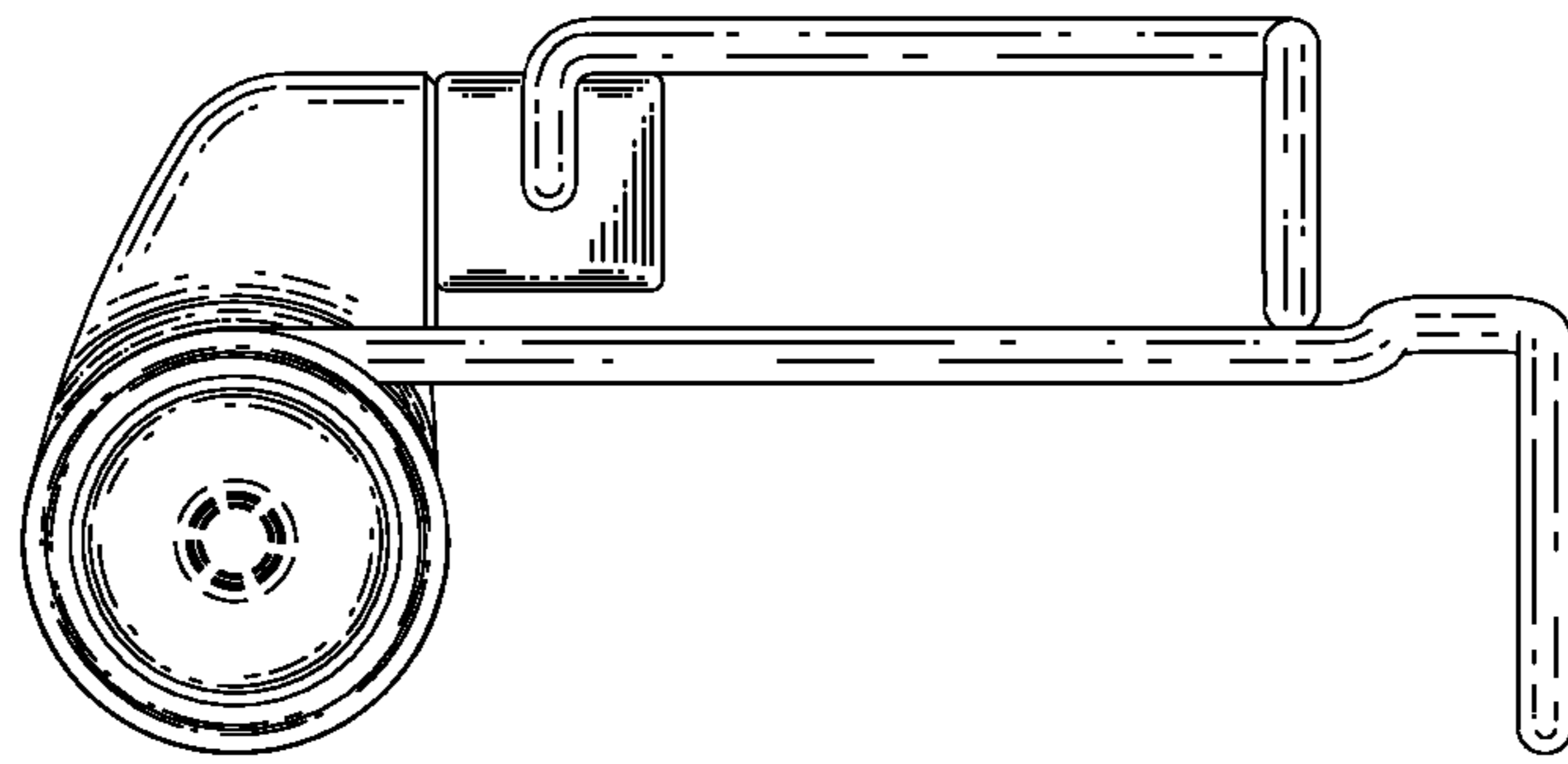


FIG. 4

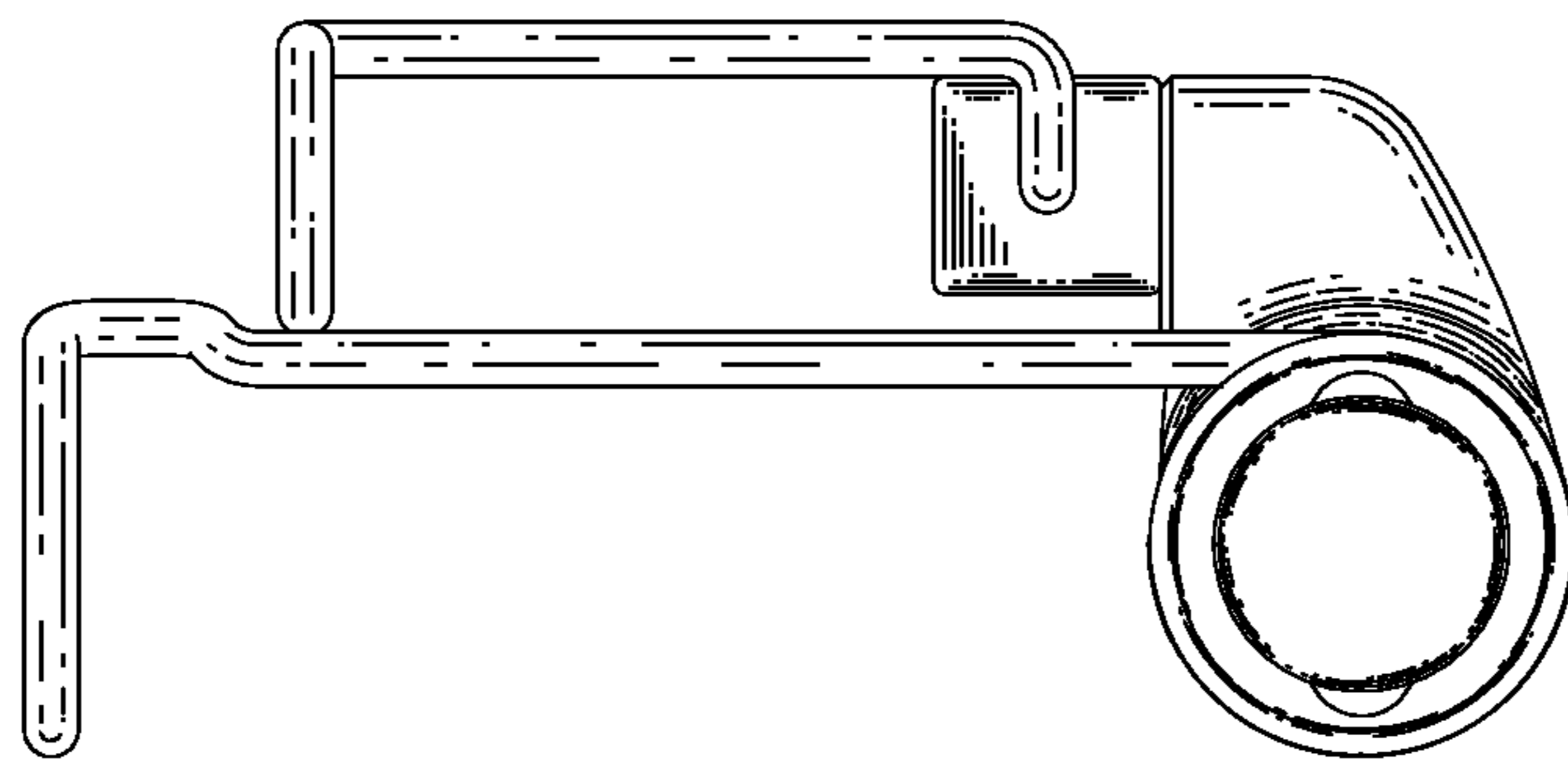


FIG. 5

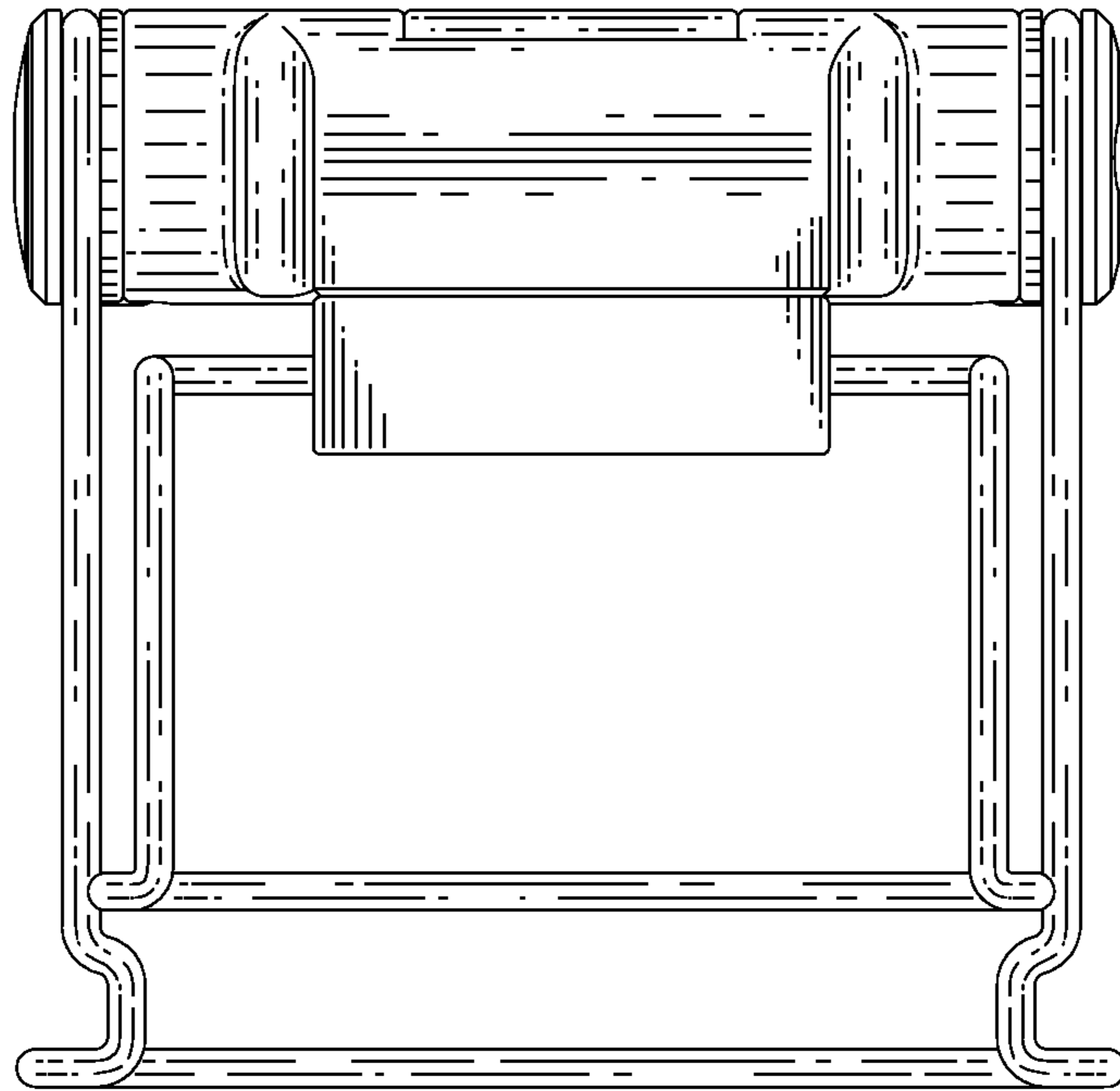


FIG. 6

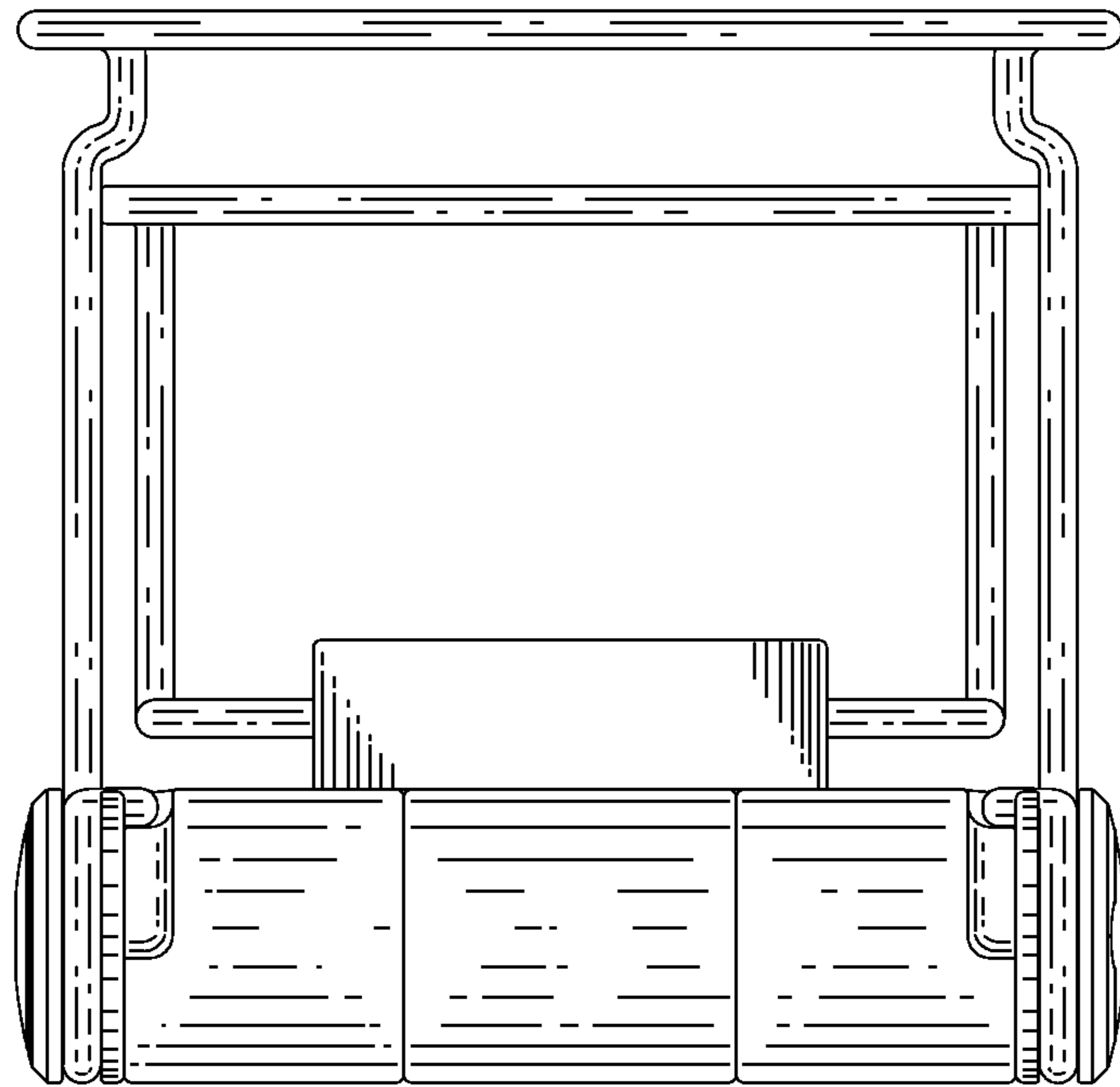


FIG. 7

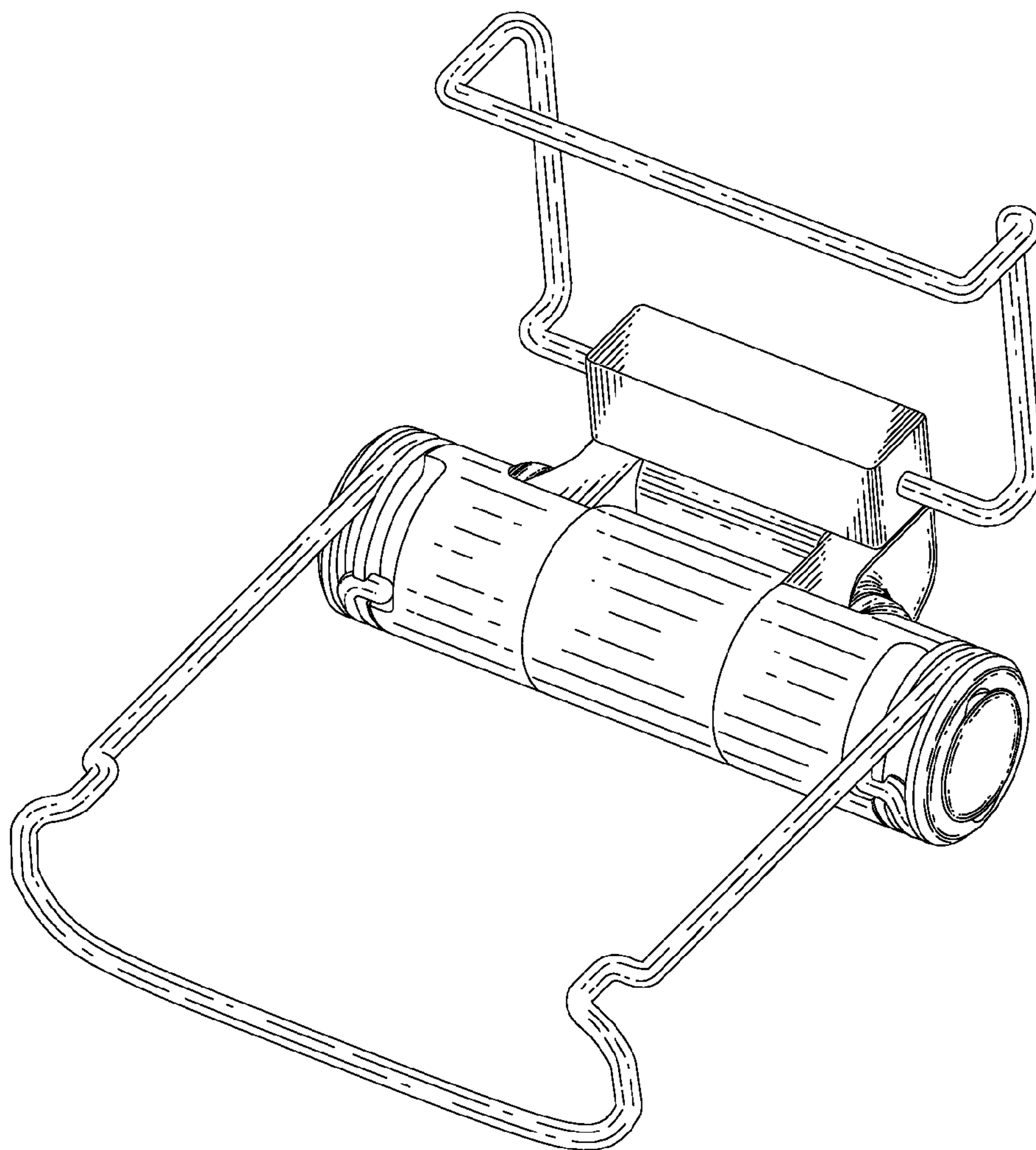


FIG. 8