



US00D681713S

(12) **United States Design Patent**
Kim et al.

(10) **Patent No.:** **US D681,713 S**
(45) **Date of Patent:** **** May 7, 2013**

- (54) **DIGITAL CAMERA**
- (75) Inventors: **Joo-Hyung Kim**, Seoul (KR); **InShik Kim**, Seoul (KR)
- (73) Assignee: **Samsung Electronics Co., Ltd.**, Gyeonggi-do (KR)
- (**) Term: **14 Years**
- (21) Appl. No.: **29/408,807**
- (22) Filed: **Dec. 16, 2011**
- (51) **LOC (9) Cl.** **16-01**
- (52) **U.S. Cl.**
USPC **D16/202**
- (58) **Field of Classification Search** D16/200,
D16/202, 204, 208, 218; 348/373-376; 358/909.1;
396/535-541
See application file for complete search history.

- D556,229 S * 11/2007 Bai D16/202
- D561,218 S * 2/2008 Kim D16/202
- D590,427 S * 4/2009 Kim D16/202
- D606,104 S * 12/2009 Sato D16/202
- 7,646,426 B2 * 1/2010 Saiki et al. 348/373
- D639,840 S * 6/2011 Sin et al. D16/202

* cited by examiner

Primary Examiner — Adir Aronovich
(74) *Attorney, Agent, or Firm* — Harness, Dickey & Pierce, P.L.C.

(57) **CLAIM**
The ornamental design for a digital camera, as shown.

DESCRIPTION

FIG. 1 is a front, top and left side perspective view of a digital camera showing our new design;
FIG. 2 is a front elevational view thereof;
FIG. 3 is a rear elevational view thereof;
FIG. 4 is a left side elevational view thereof;
FIG. 5 is a right side elevational view thereof;
FIG. 6 is a top plan view thereof; and,
FIG. 7 is a bottom plan view thereof.

1 Claim, 4 Drawing Sheets

- (56) **References Cited**
U.S. PATENT DOCUMENTS
D552,646 S * 10/2007 Bai D16/202
D555,689 S * 11/2007 Yoo et al. D16/218

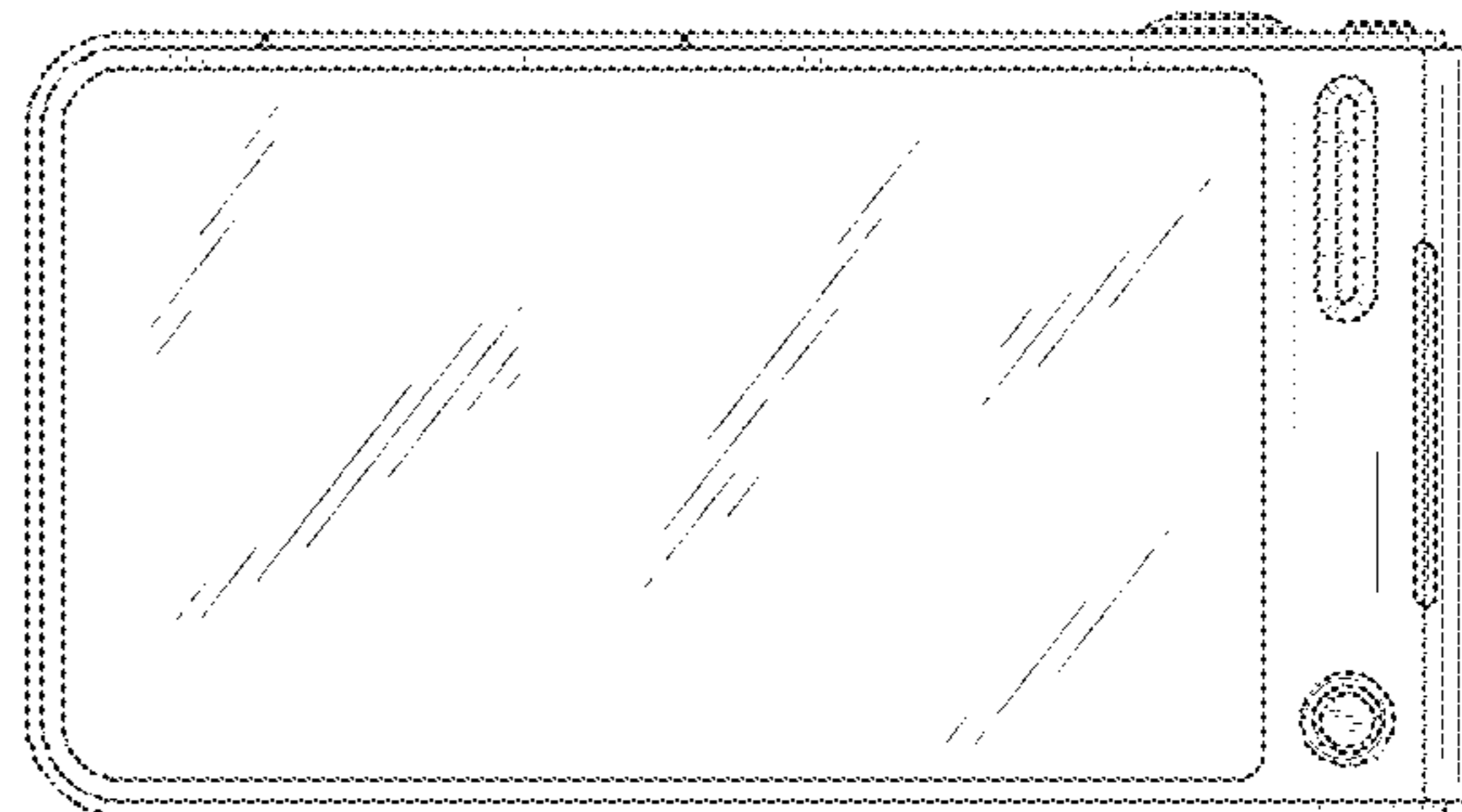
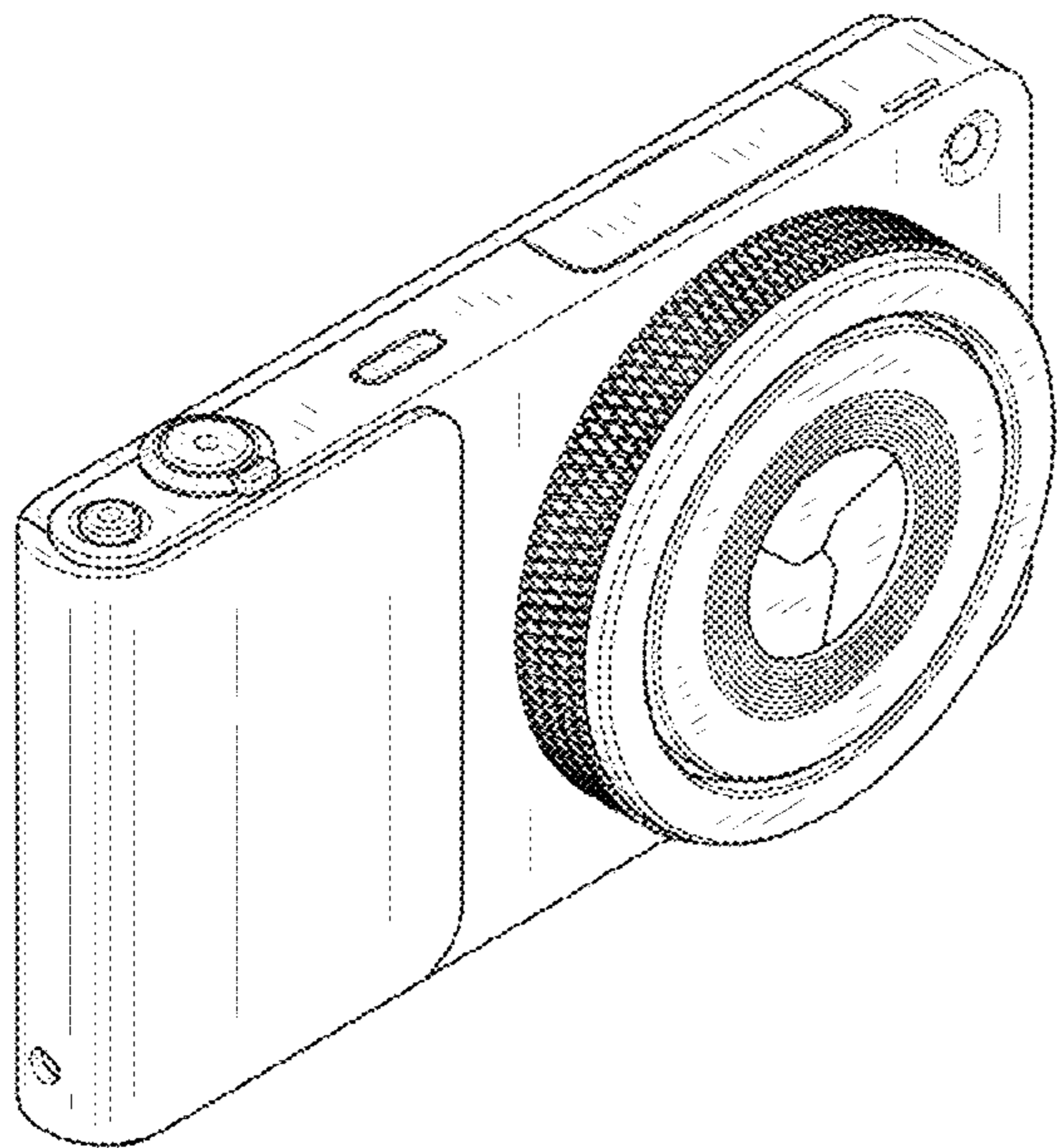


FIG. 1

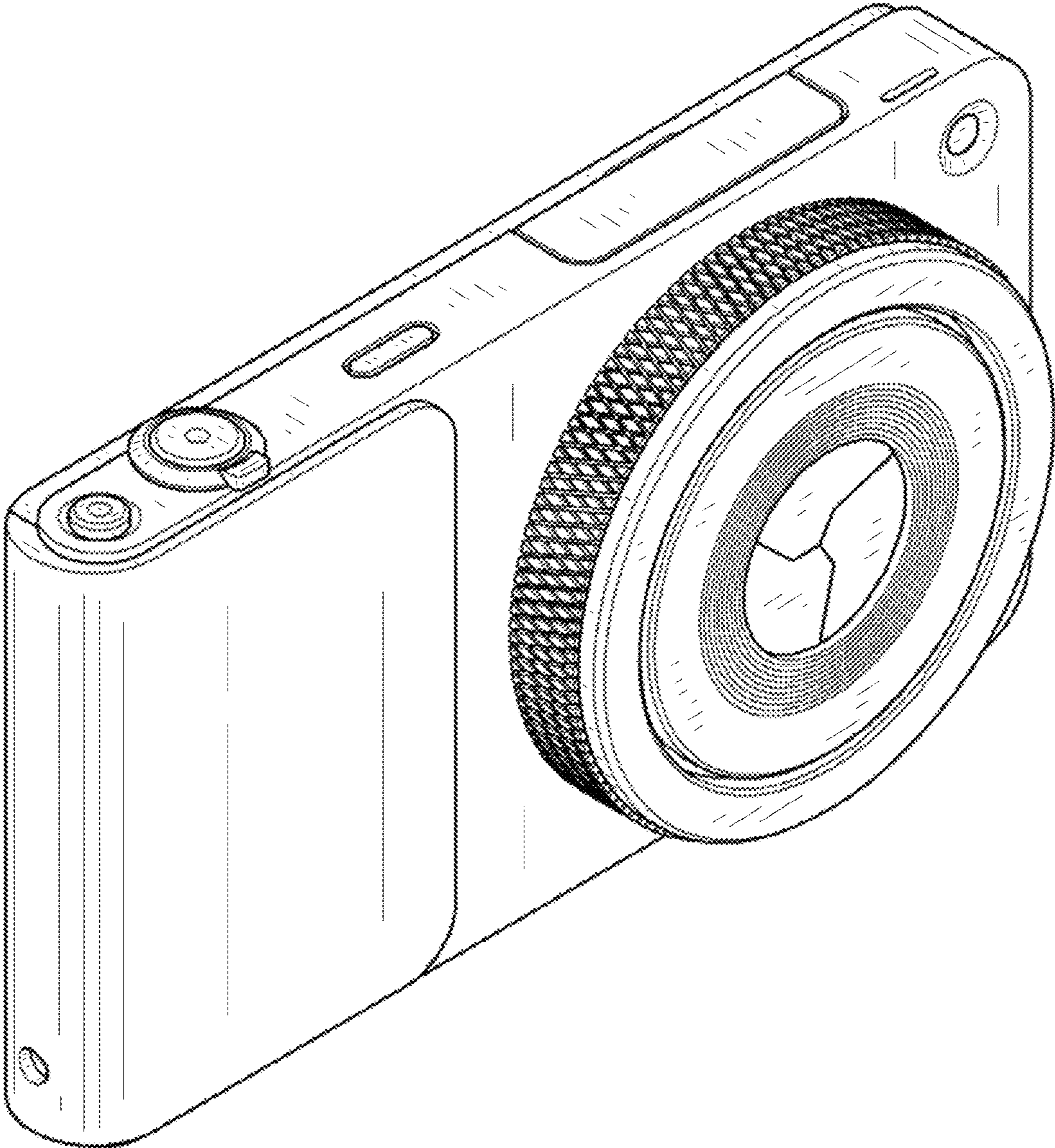


FIG. 2

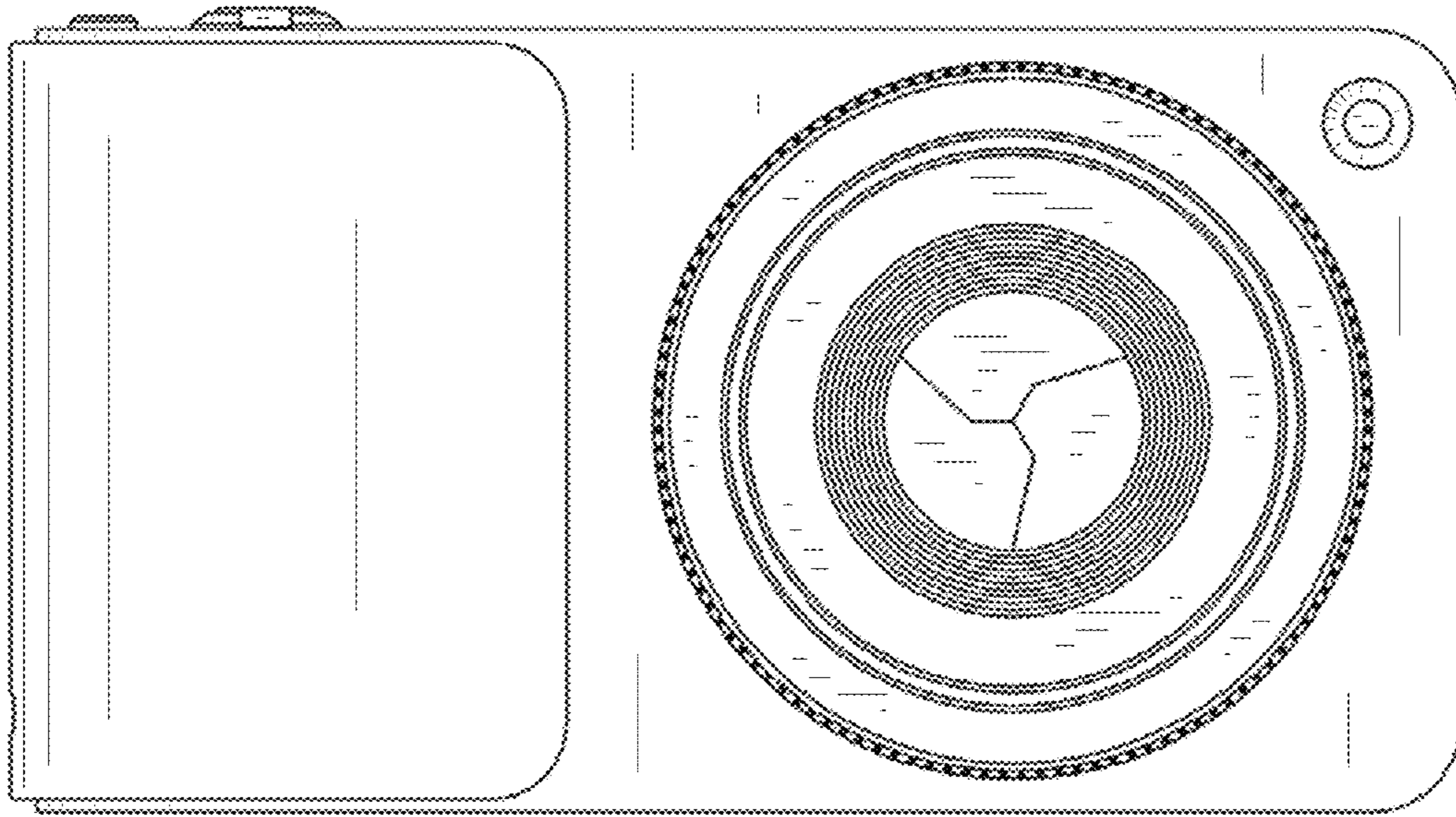


FIG. 3

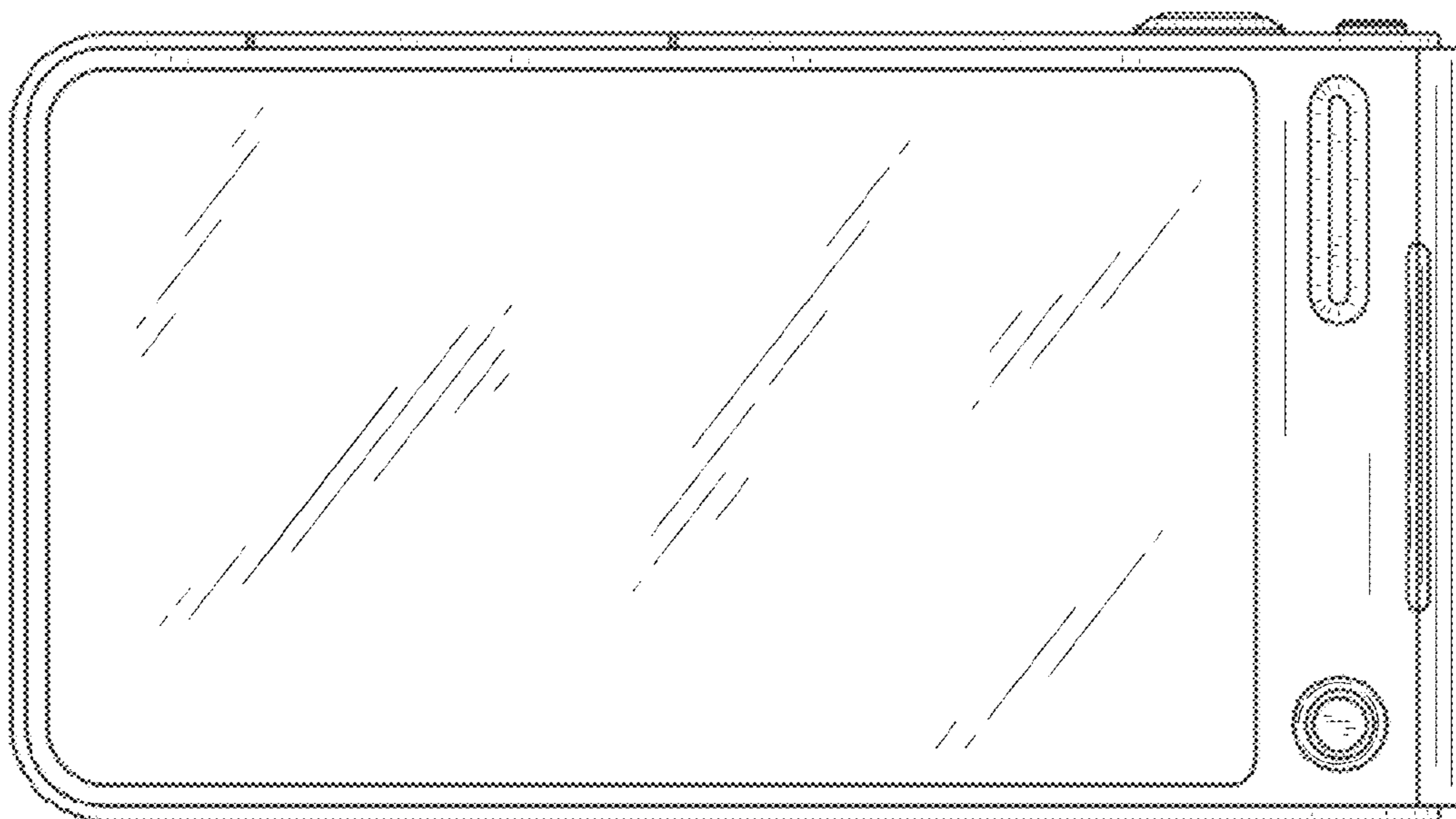


FIG. 4

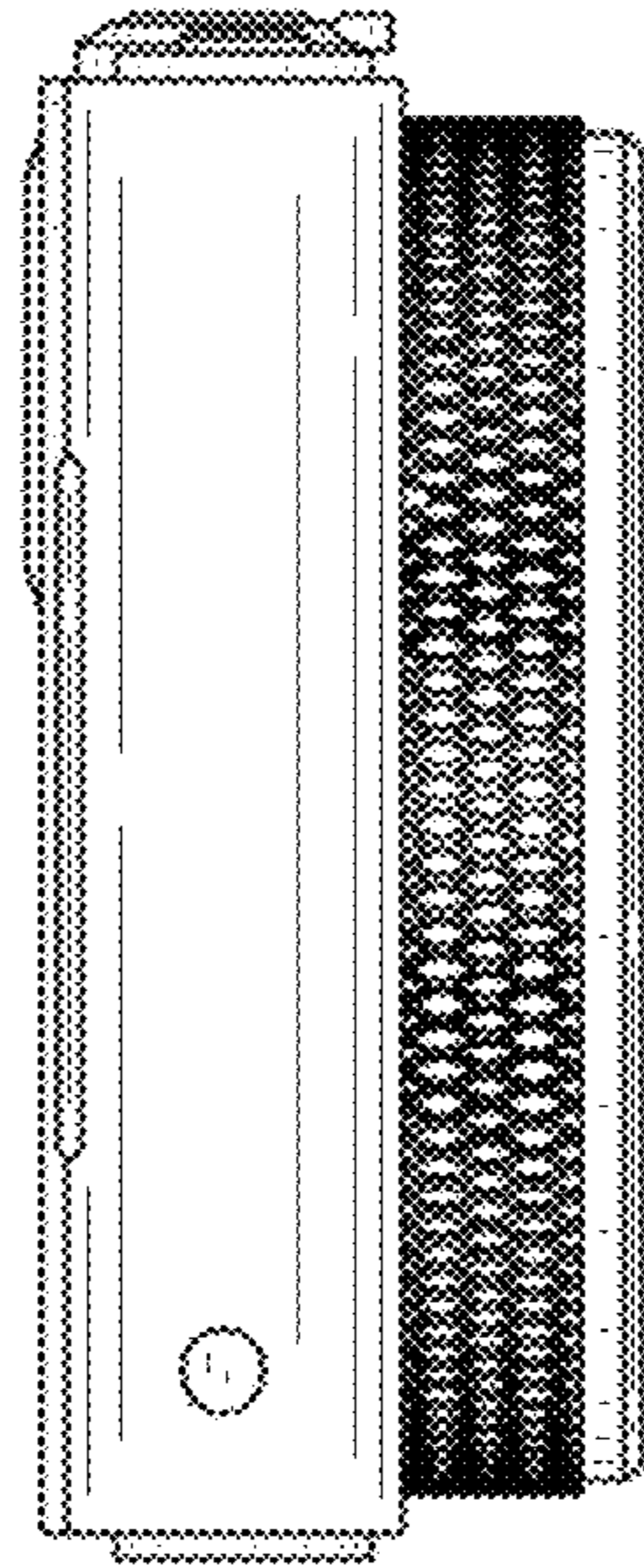


FIG. 5

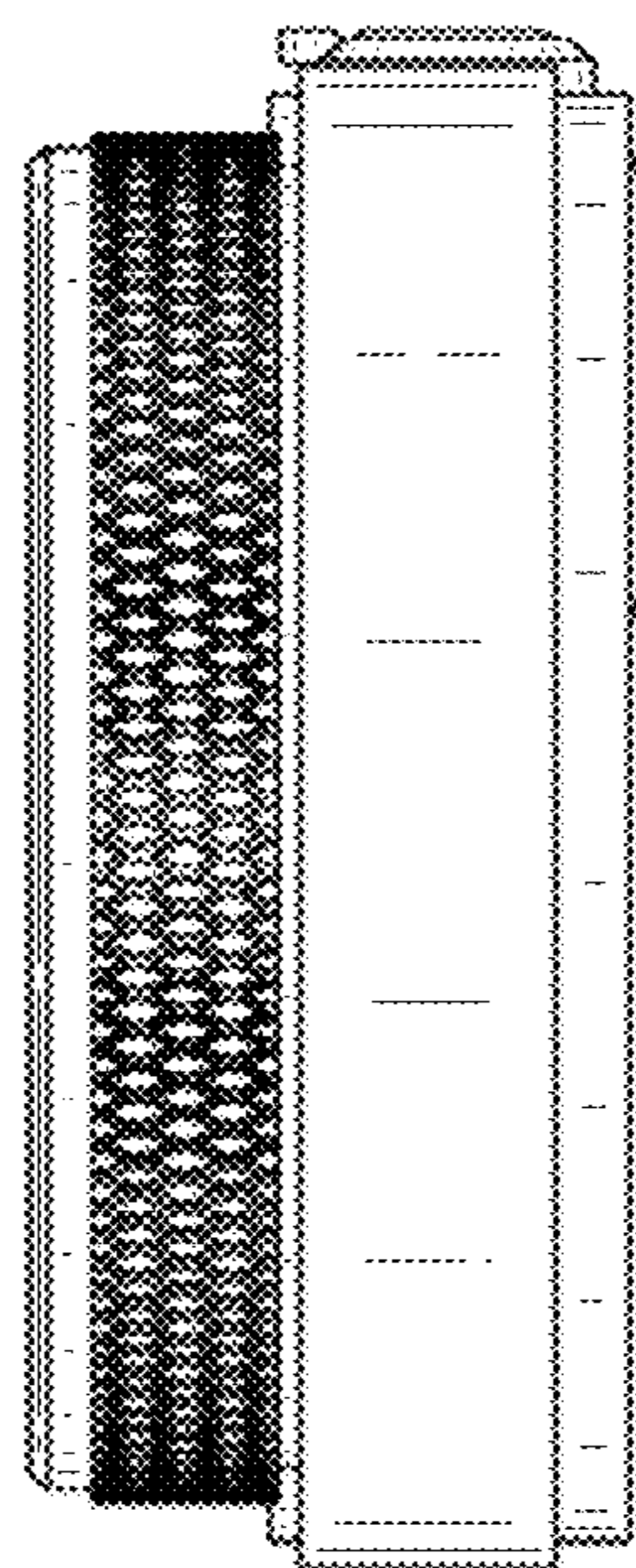


FIG. 6

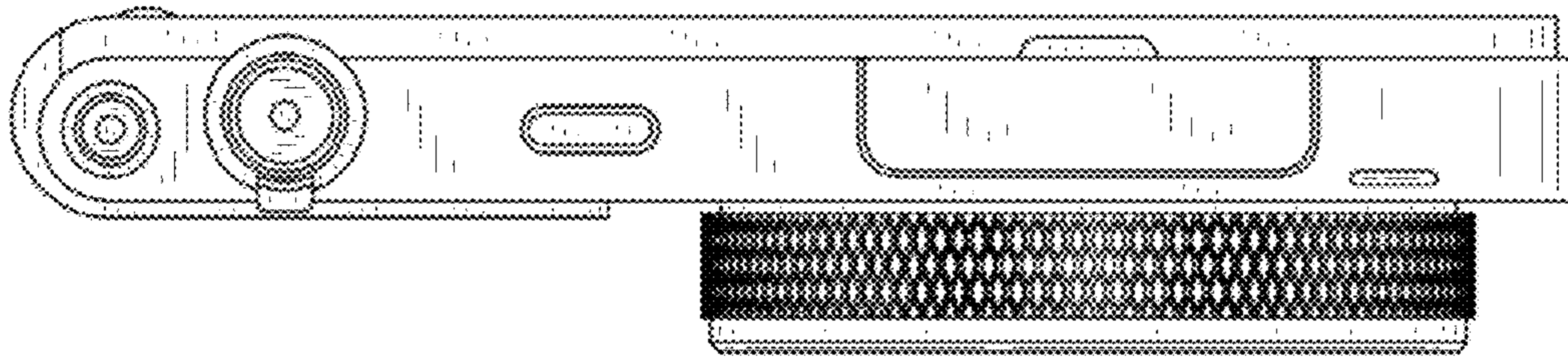


FIG. 7

