



US00D681712S

(12) **United States Design Patent**
Kim et al.

(10) **Patent No.:** **US D681,712 S**
(45) **Date of Patent:** **** May 7, 2013**

(54) **DIGITAL CAMERA**

(75) Inventors: **Joo-Hyung Kim**, Seoul (KR); **Kijin Kwon**, Suwon-si (KR)

(73) Assignee: **Samsung Electronics Co., Ltd.**, Gyeonggi-do (KR)

(**) Term: **14 Years**

(21) Appl. No.: **29/408,801**

(22) Filed: **Dec. 16, 2011**

(51) **LOC (9) Cl.** **16-01**

(52) **U.S. Cl.**
USPC **D16/202**

(58) **Field of Classification Search** D16/200,
D16/202, 204, 208, 218; 348/373-376; 358/909.1;
396/535-541

See application file for complete search history.

(56) **References Cited**

U.S. PATENT DOCUMENTS

D597,116 S * 7/2009 Watanabe D16/202
7,646,426 B2 * 1/2010 Saiki et al. 348/373

D634,765 S * 3/2011 Noh et al. D16/202
D634,766 S * 3/2011 Ham D16/202
D641,033 S * 7/2011 Nohara D16/202
D663,758 S * 7/2012 Ham D16/202

* cited by examiner

Primary Examiner — Adir Aronovich

(74) *Attorney, Agent, or Firm* — Harness, Dickey & Pierce, P.L.C.

(57) **CLAIM**

The ornamental design for a digital camera, as shown.

DESCRIPTION

FIG. 1 is a front, top and left side perspective view of a digital camera showing our new design;
FIG. 2 is a front elevational view thereof;
FIG. 3 is a rear elevational view thereof;
FIG. 4 is a left side elevational view thereof;
FIG. 5 is a right side elevational view thereof;
FIG. 6 is a top plan view thereof; and,
FIG. 7 is a bottom plan view thereof.

1 Claim, 4 Drawing Sheets

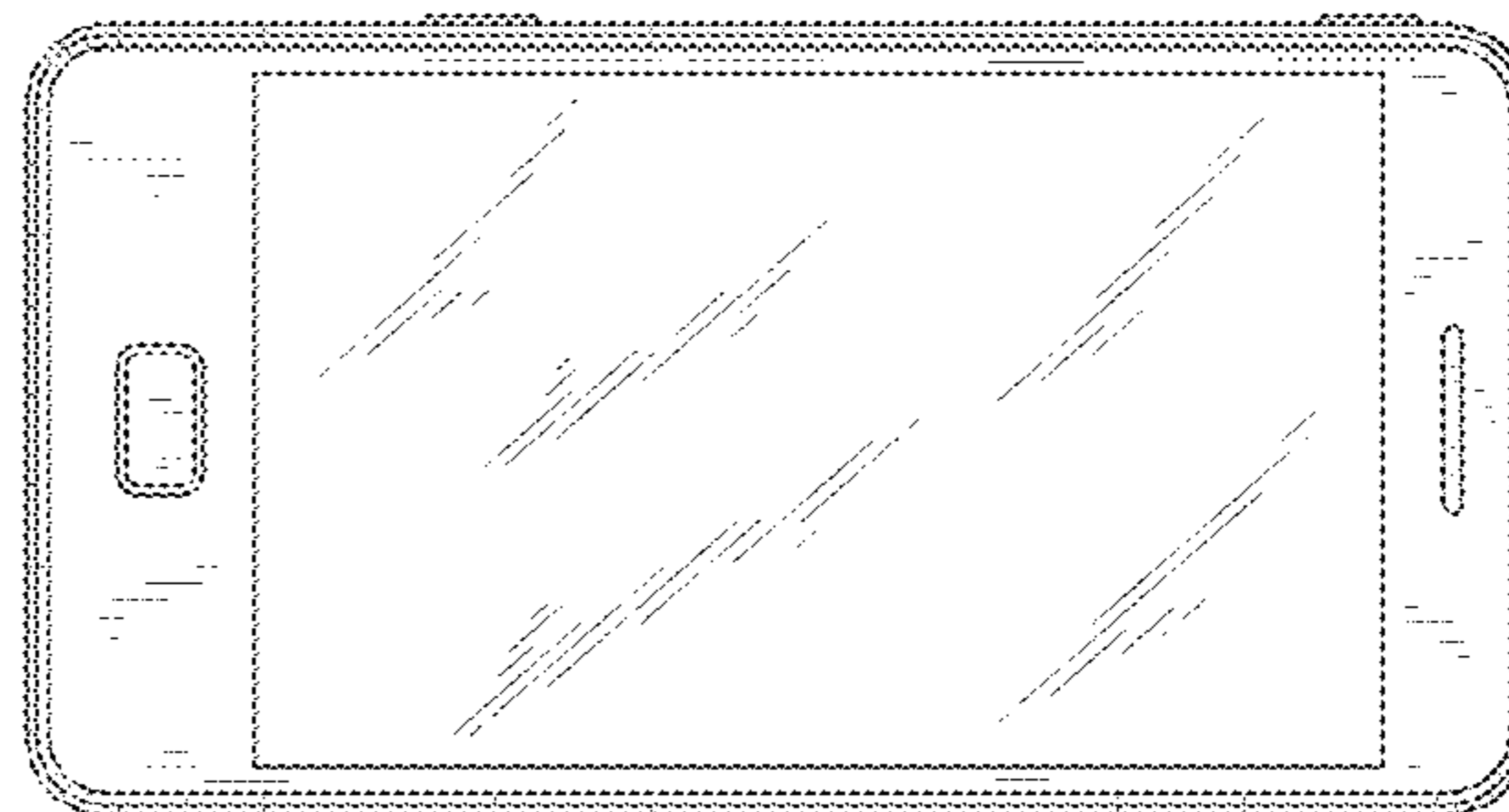
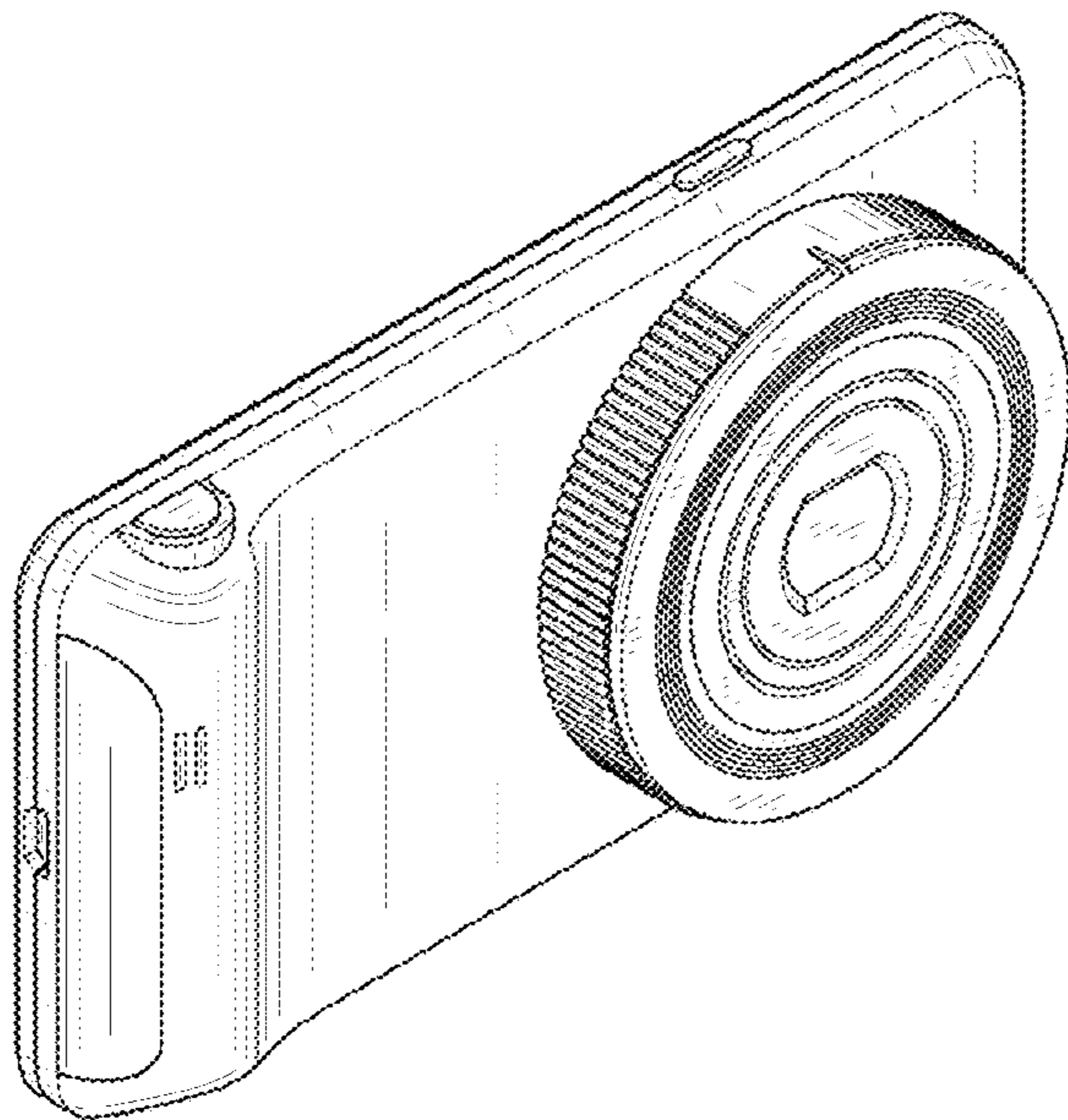


FIG. 1

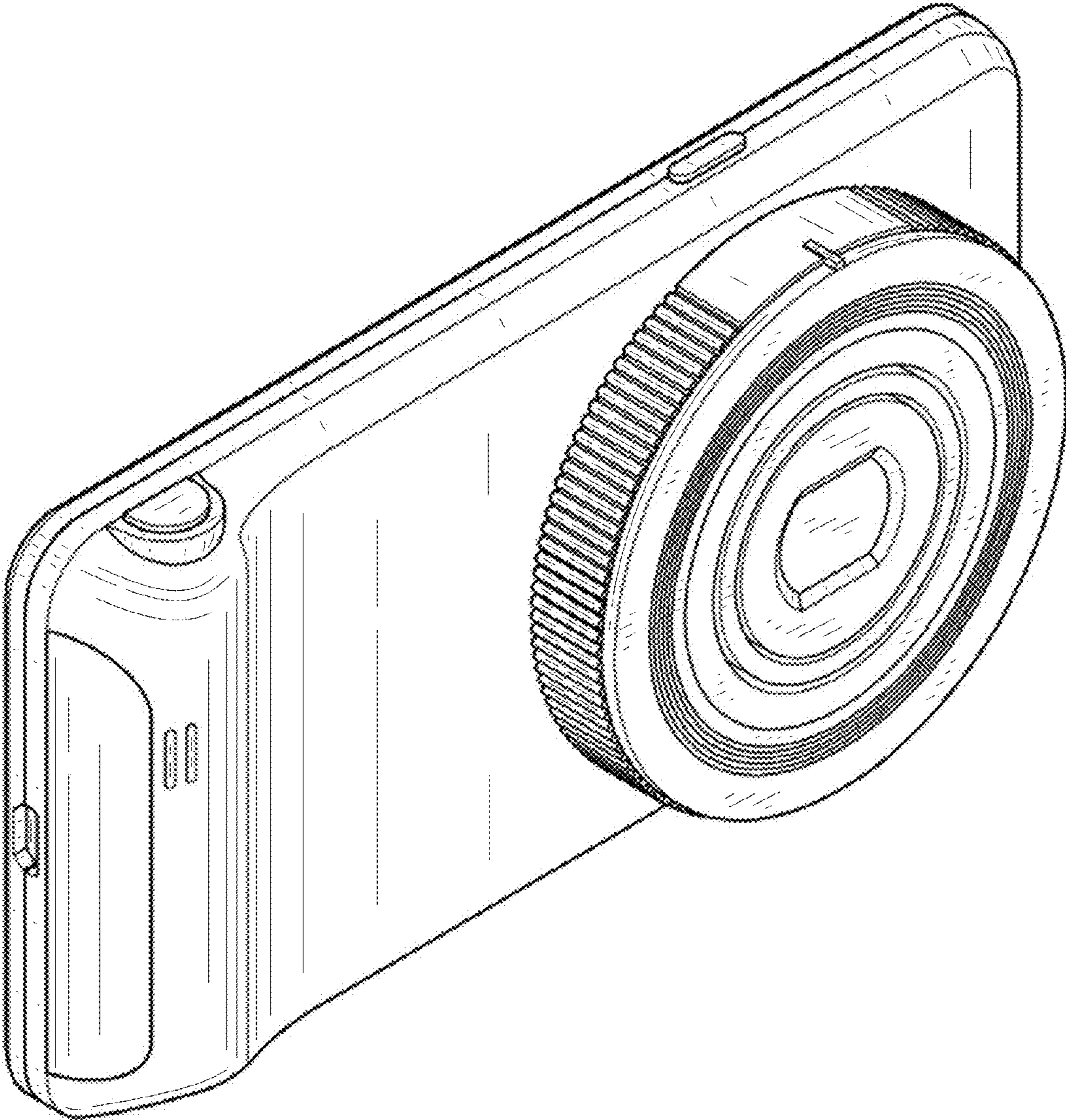


FIG. 2

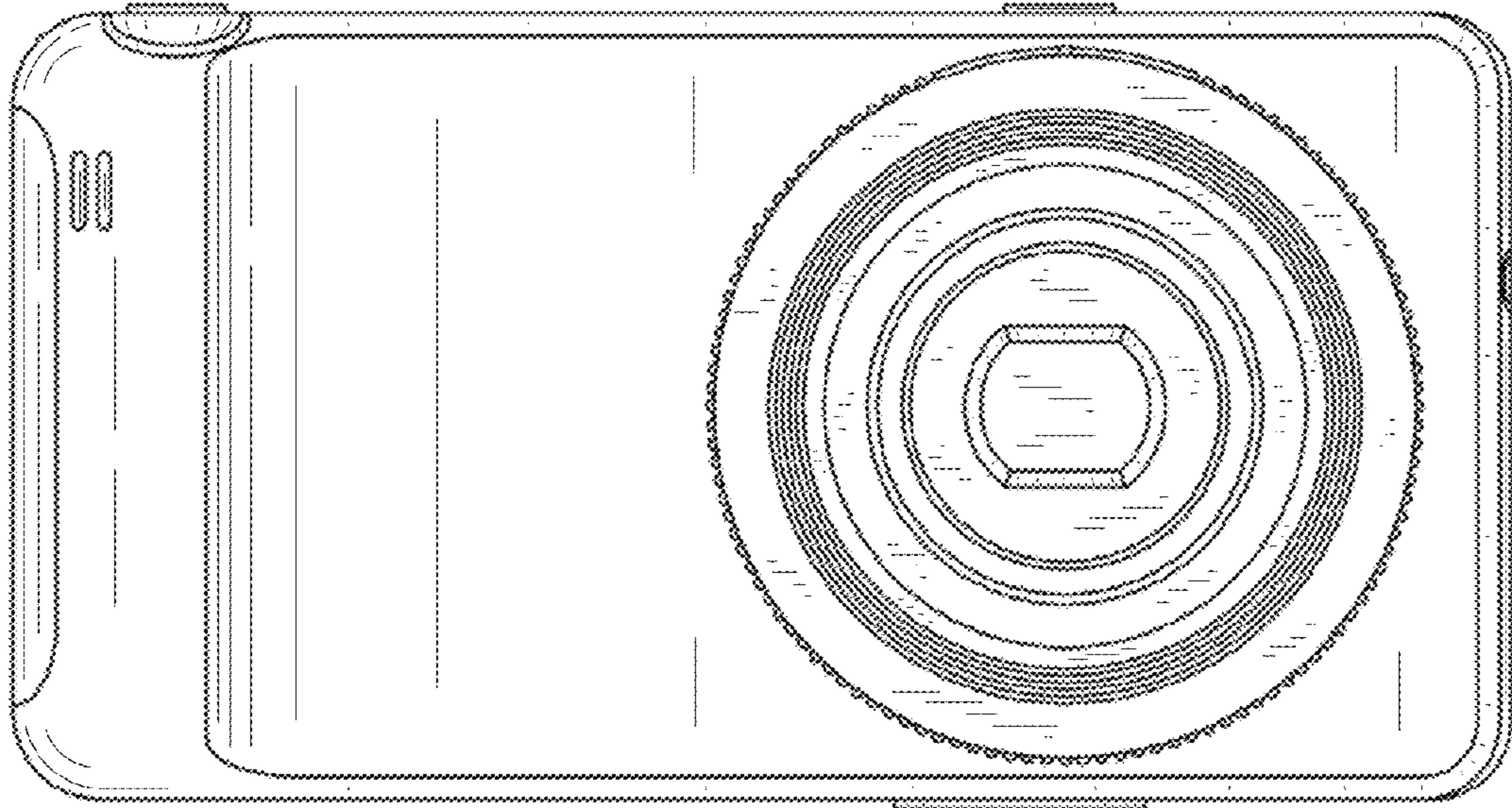


FIG. 3

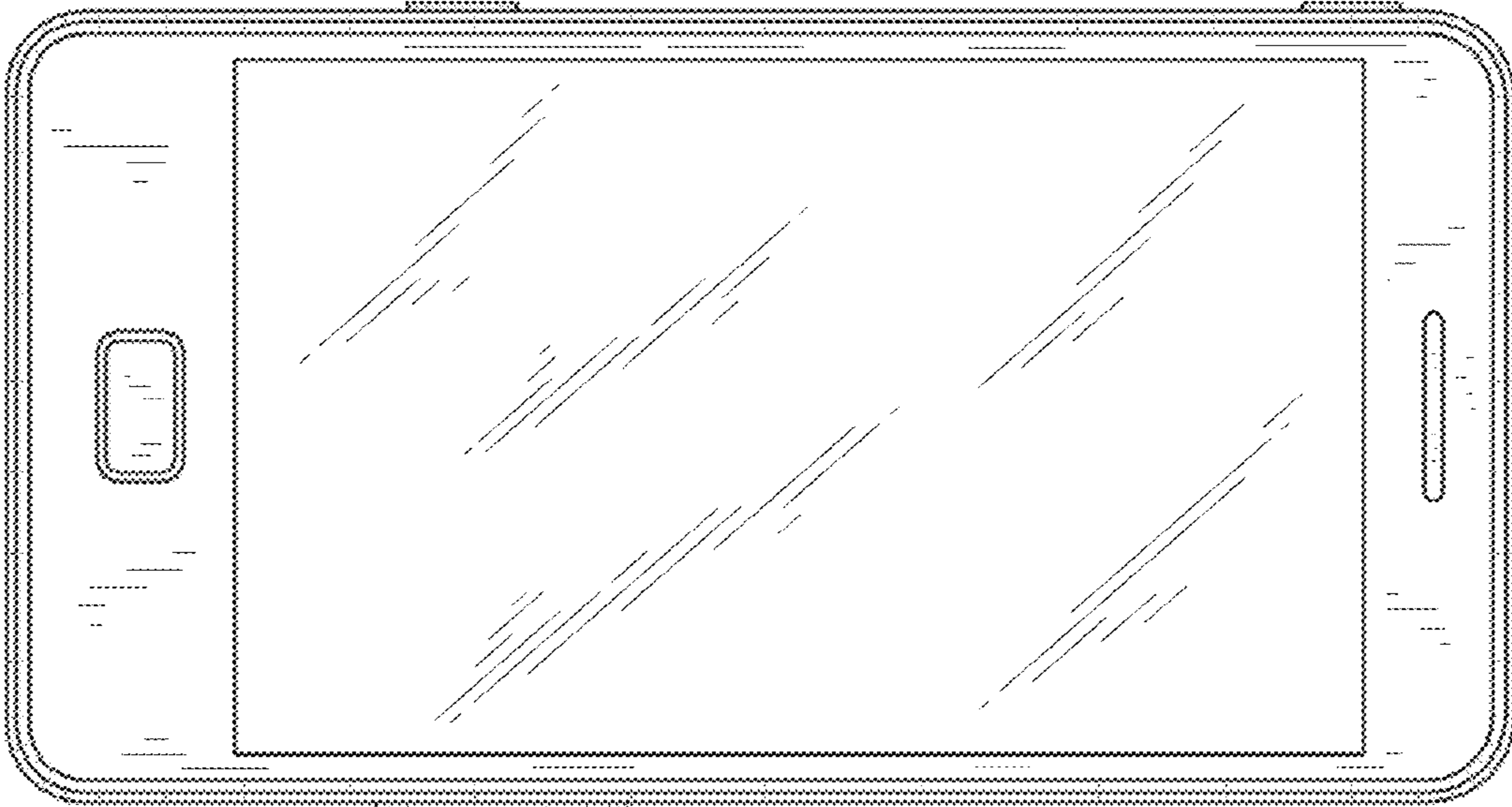


FIG. 4

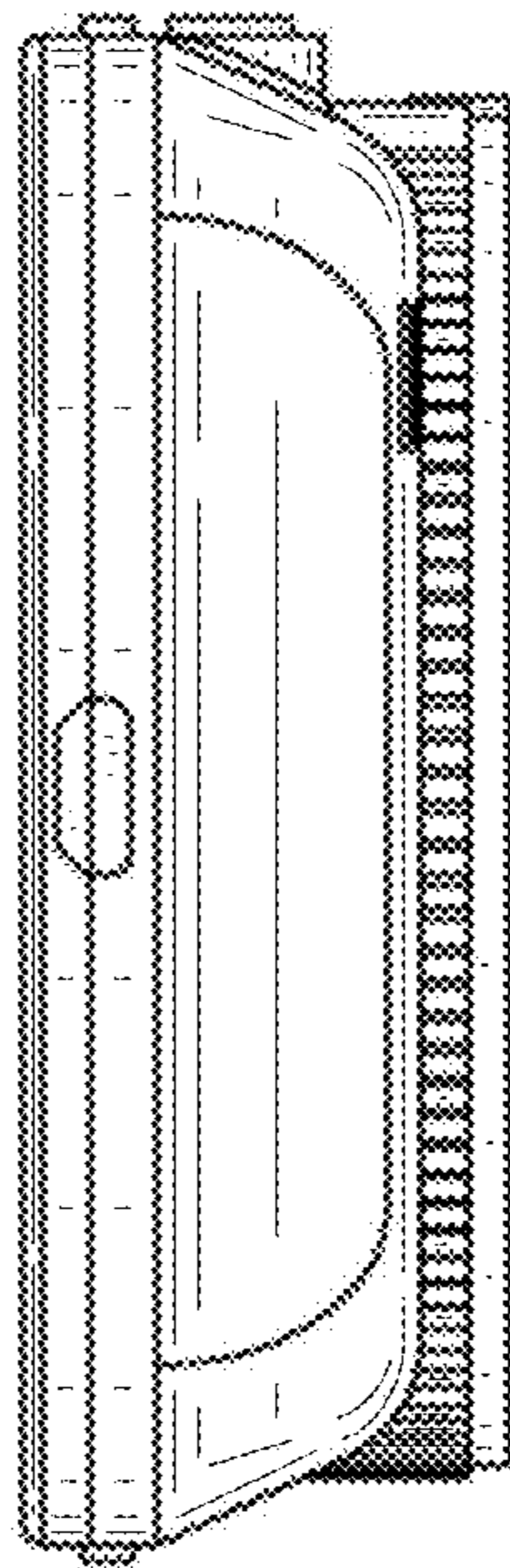


FIG. 5

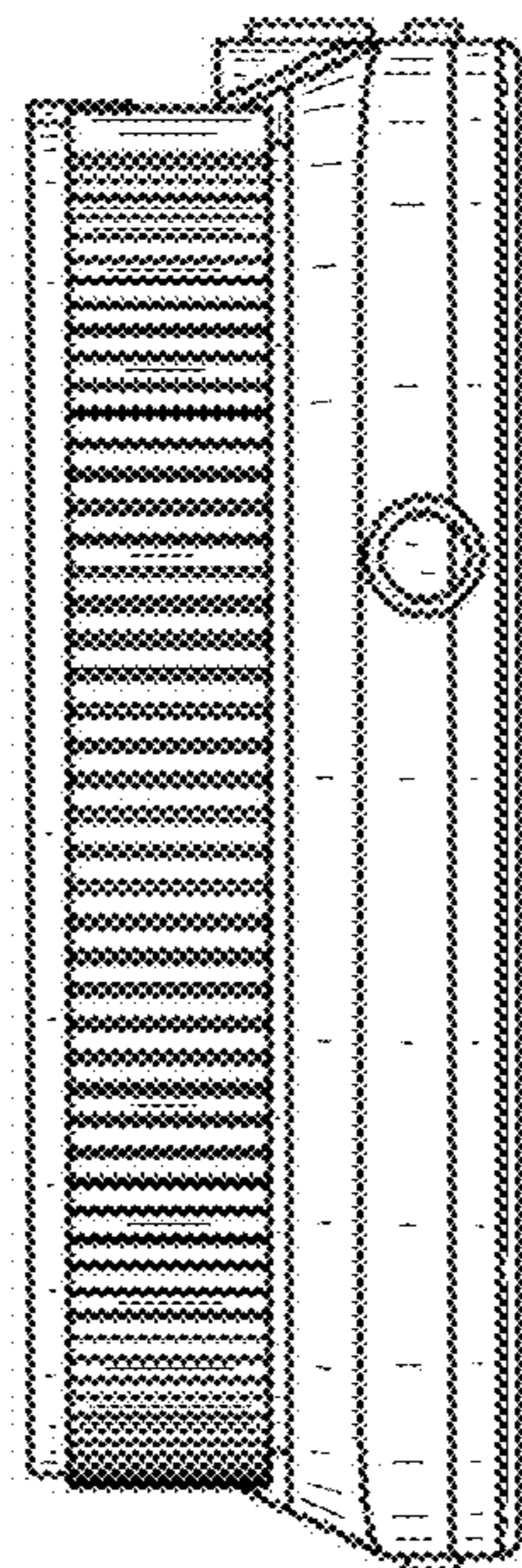


FIG. 6

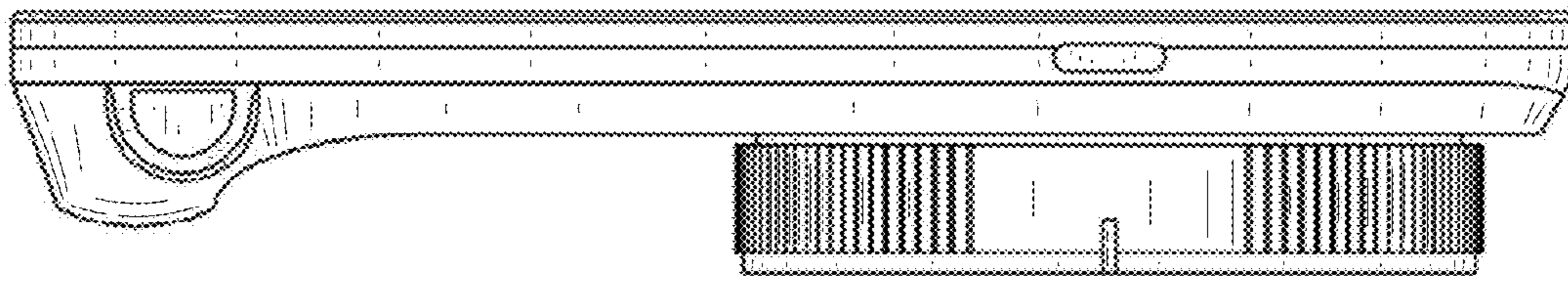


FIG. 7

