



US00D681711S

(12) **United States Design Patent**
Ishibashi et al.

(10) **Patent No.:** **US D681,711 S**
(45) **Date of Patent:** **** May 7, 2013**

(54) **VIDEO CAMERA**
(75) Inventors: **Yasuhiro Ishibashi**, Tokyo (JP);
Toshihiro Nakamura, Tokyo (JP)
(73) Assignee: **Sony Corporation**, Tokyo (JP)
(**) Term: **14 Years**
(21) Appl. No.: **29/371,463**
(22) Filed: **Mar. 4, 2011**
(51) **LOC (9) Cl.** **16-01**
(52) **U.S. Cl.**
USPC **D16/202**; D16/219
(58) **Field of Classification Search** D16/200,
D16/202, 204, 208, 212, 218, 219, 213, 235,
D16/250; 348/373, 374, 375, 376; 358/909.1;
396/349, 448, 535, 536, 537, 538, 539, 540,
396/541; D21/470; D14/496, 256; D7/387,
D7/399, 309; D8/312
See application file for complete search history.

D501,865 S * 2/2005 Li et al. D16/219
D508,065 S * 8/2005 Dow et al. D16/202
D524,350 S * 7/2006 Hayamizu D16/219
D534,565 S 1/2007 Sadatsuki
D534,936 S 1/2007 Sadatsuki
D539,823 S * 4/2007 Nagayama et al. D16/219
D600,731 S 9/2009 Lee et al.
D605,675 S * 12/2009 Sakaguchi et al. D16/202
D628,226 S * 11/2010 Hibi et al. D16/219
7,950,859 B2 * 5/2011 Zhang et al. 396/448

FOREIGN PATENT DOCUMENTS

JP D762130 S 5/1989
JP D1068326 S 4/2000

* cited by examiner

Primary Examiner — Cynthia Underwood

(74) *Attorney, Agent, or Firm* — Rader, Fishman & Grauer
PLLC

(57) **CLAIM**

The ornamental design for a video camera, as shown and
described.

(56) **References Cited**

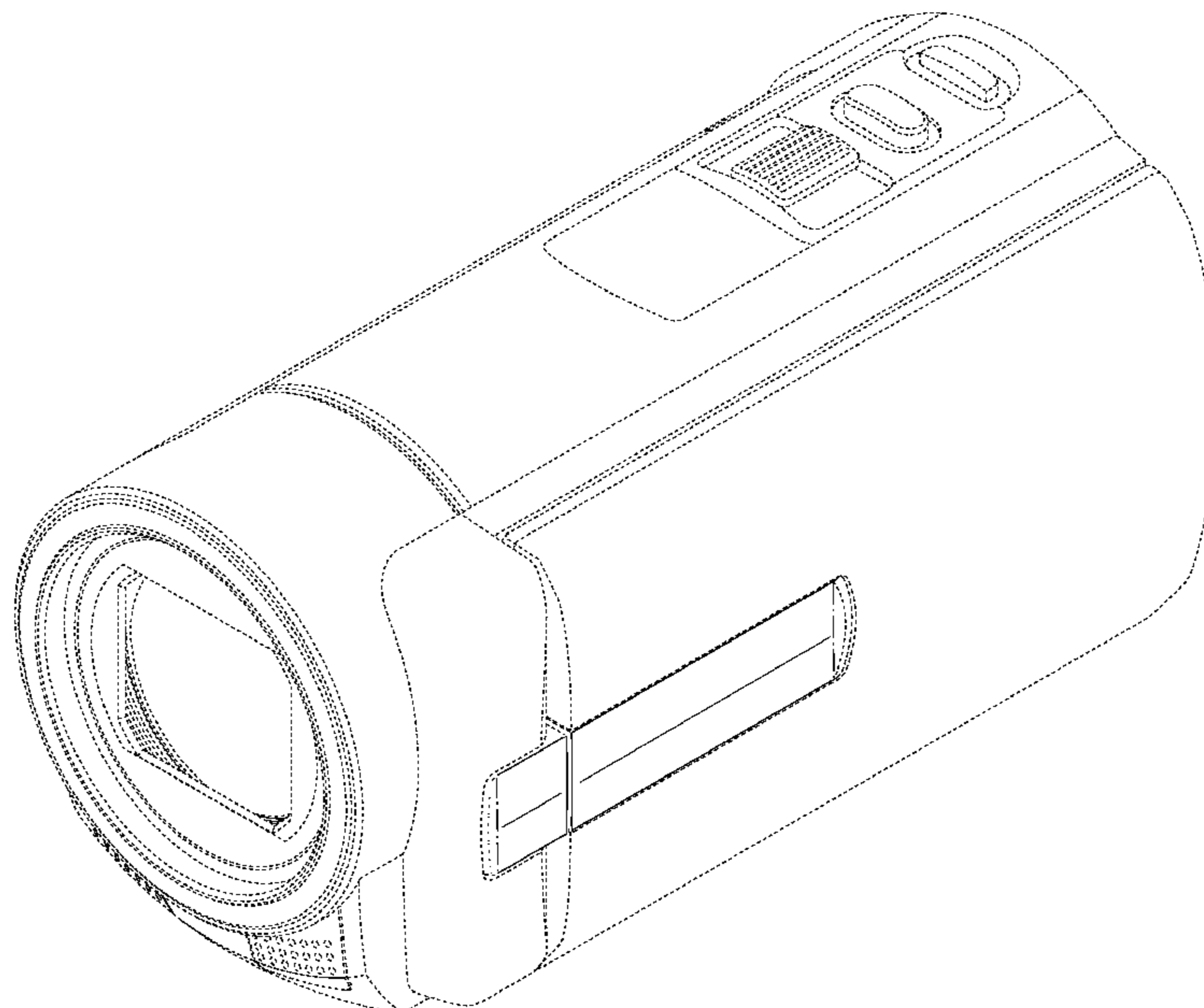
U.S. PATENT DOCUMENTS

D409,639 S 5/1999 Sumita
D410,016 S 5/1999 Maeyama
D410,662 S 6/1999 Harata
D413,135 S 8/1999 Nakamura
D435,262 S 12/2000 Maeyama
D435,574 S 12/2000 Miyashita
6,347,893 B1 * 2/2002 Shiono et al. 396/448
D463,469 S 9/2002 Kawase
D464,070 S 10/2002 Miyashita
D477,009 S 7/2003 Ikenaga
D487,476 S * 3/2004 Komatsu D16/219

DESCRIPTION

FIG. 1 is a perspective view of a video camera showing my
new design;
FIG. 2 is a right side elevational view thereof;
FIG. 3 is a top plan view thereof; and,
FIG. 4 is a bottom plan view thereof.
Portions in broken lines are for illustrative purposes only and
form no part of claimed design. Dot-dash broken lines define
the boundaries of, but not included in, the claimed design.

1 Claim, 4 Drawing Sheets



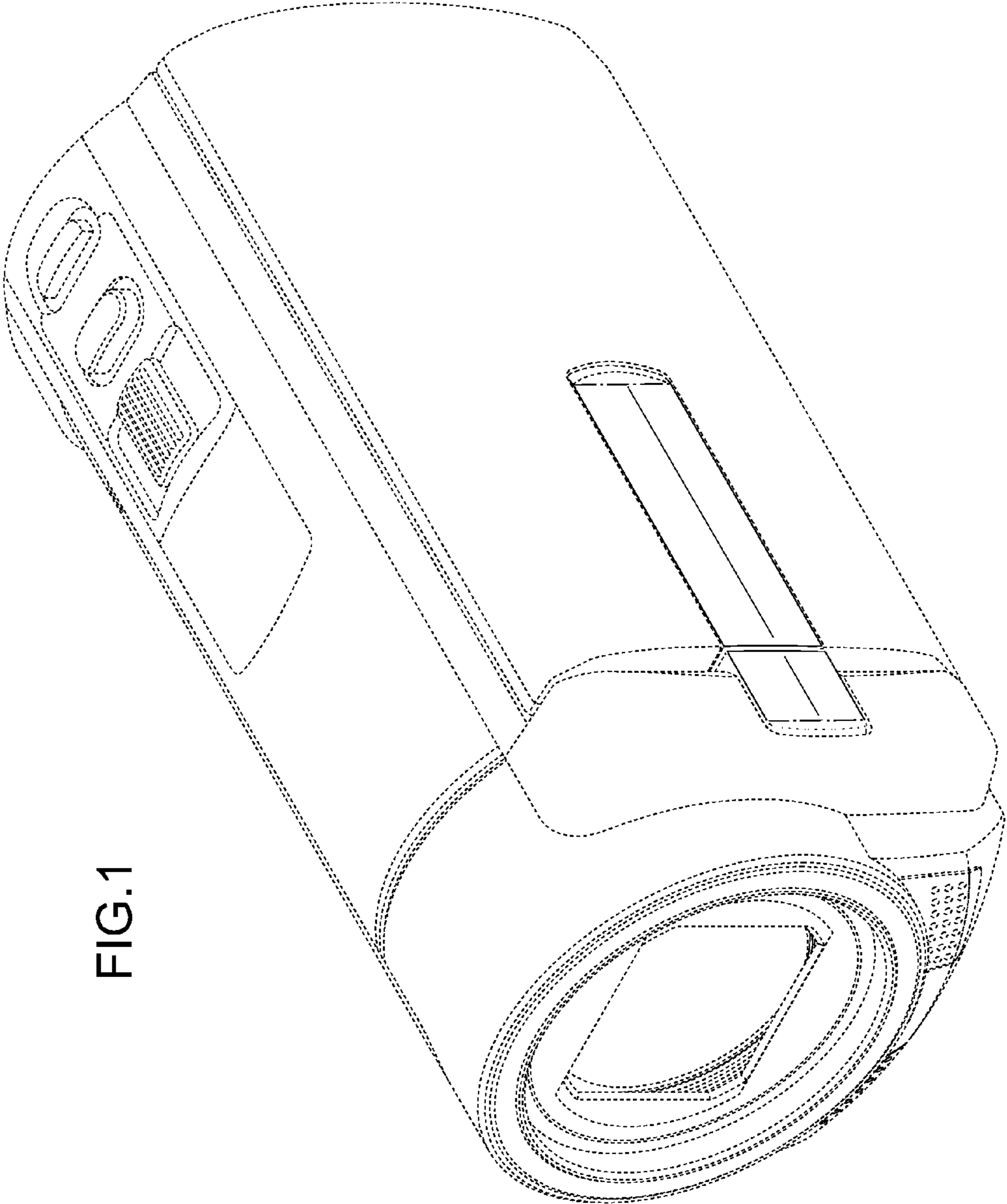


FIG.1

FIG.2

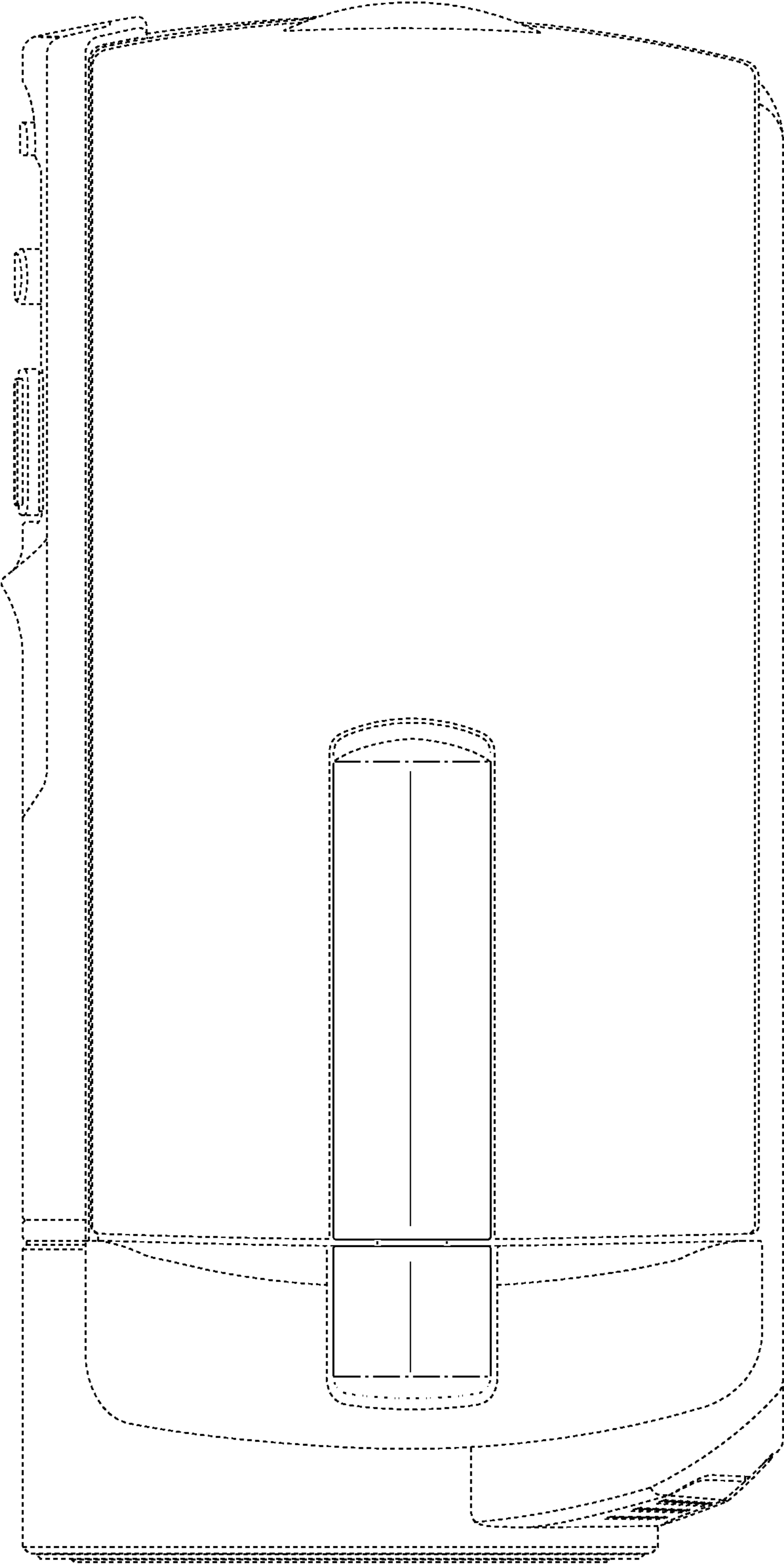


FIG.3

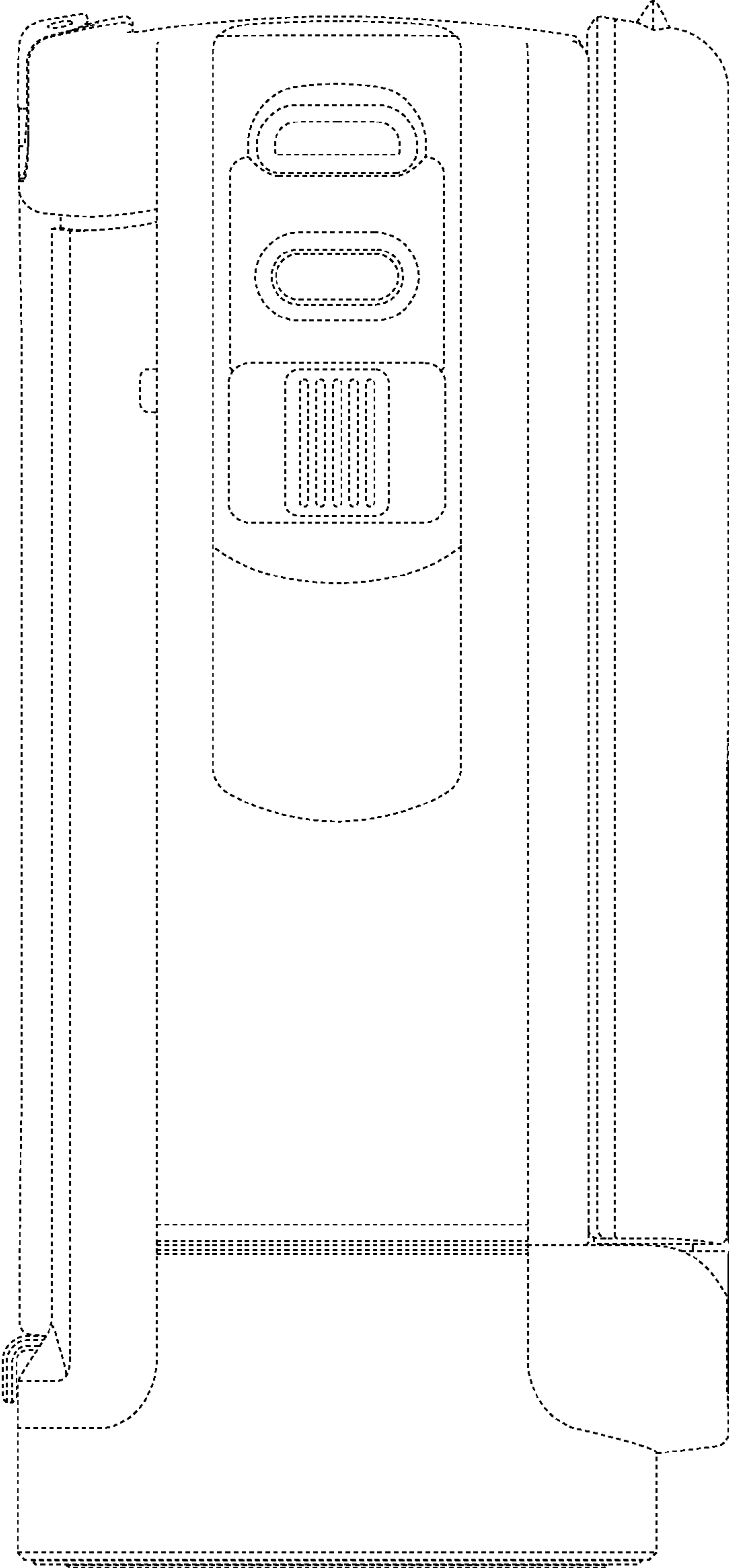


FIG.4

