



US00D681710S

(12) **United States Design Patent**  
**Sato**

(10) **Patent No.:** **US D681,710 S**  
(45) **Date of Patent:** **\*\* May 7, 2013**

(54) **CAMERA BODY**

(75) Inventor: **Jun Sato**, Minato-ku (JP)

(73) Assignee: **FUJIFILM Corporation**, Tokyo (JP)

(\*\*) Term: **14 Years**

(21) Appl. No.: **29/416,027**

(22) Filed: **Mar. 16, 2012**

(30) **Foreign Application Priority Data**

Dec. 12, 2011 (JP) ..... 2011-028836

(51) **LOC (9) Cl.** ..... **16-01**

(52) **U.S. Cl.**  
USPC ..... **D16/200**

(58) **Field of Classification Search** ..... D16/200,  
D16/202, 204, 217, 218; 348/373-376; 396/535,  
396/540, 541  
See application file for complete search history.

(56) **References Cited**

**U.S. PATENT DOCUMENTS**

D631,496 S \* 1/2011 Tainaka ..... D16/202  
D633,934 S \* 3/2011 Funakoshi ..... D16/202

D639,326 S \* 6/2011 Baba et al. .... D16/202  
D640,301 S \* 6/2011 Nohara ..... D16/218  
D647,552 S \* 10/2011 Ogasawara et al. .... D16/202  
D649,997 S \* 12/2011 Imai ..... D16/202  
8,233,082 B2 \* 7/2012 Yamamoto ..... 348/375

\* cited by examiner

*Primary Examiner* — Adir Aronovich

(74) *Attorney, Agent, or Firm* — Sughrue Mion, PLLC

(57) **CLAIM**

The ornamental design for a camera body, as shown and described.

**DESCRIPTION**

FIG. 1 is a top, front and side perspective view of a camera body showing my new design;  
FIG. 2 is a front elevational view thereof;  
FIG. 3 is a rear elevational view thereof;  
FIG. 4 is a top plan view thereof;  
FIG. 5 is a bottom plan view thereof;  
FIG. 6 is a right side elevational view thereof; and,  
FIG. 7 is a left side elevational view thereof.

**1 Claim, 7 Drawing Sheets**

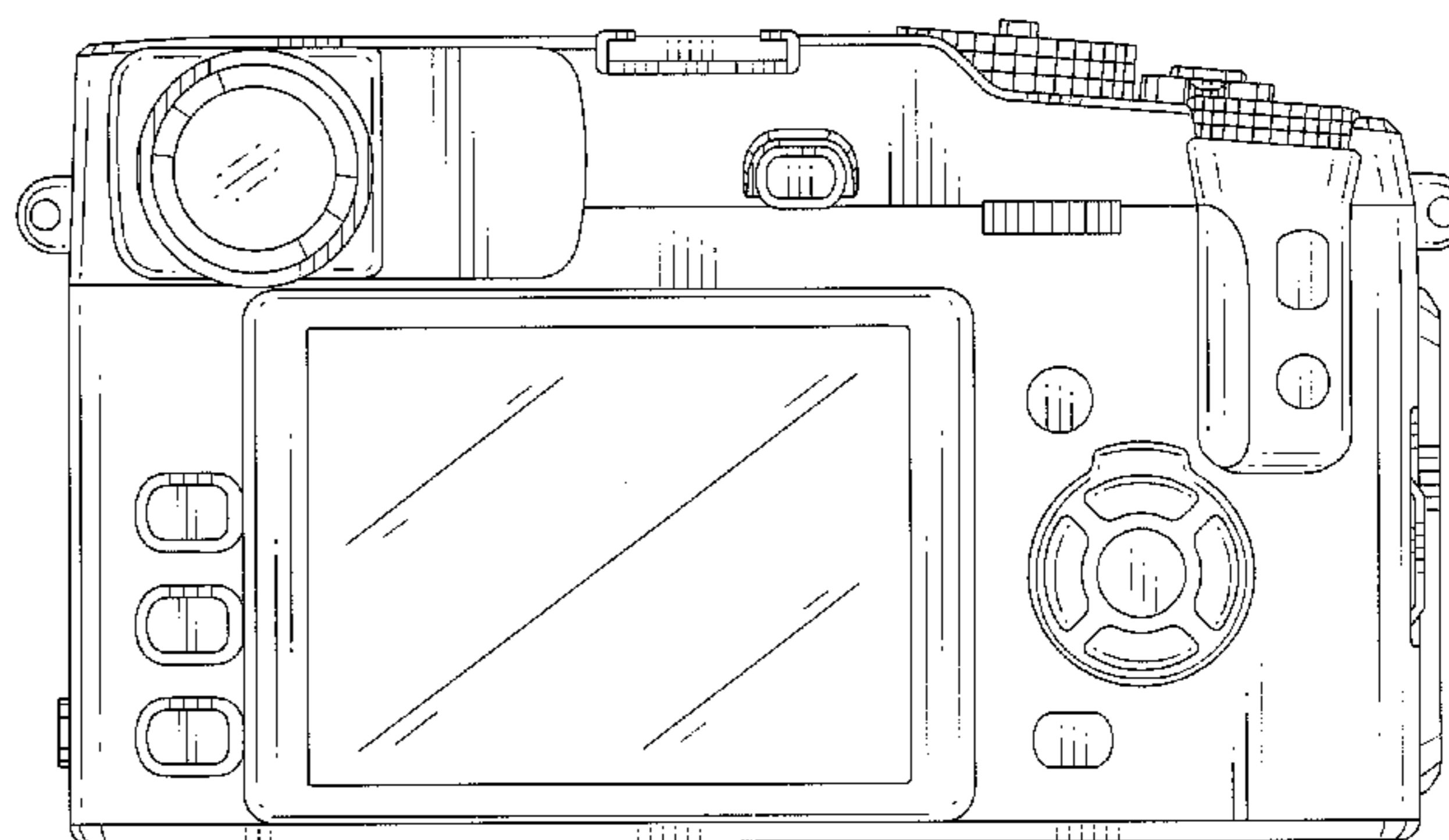
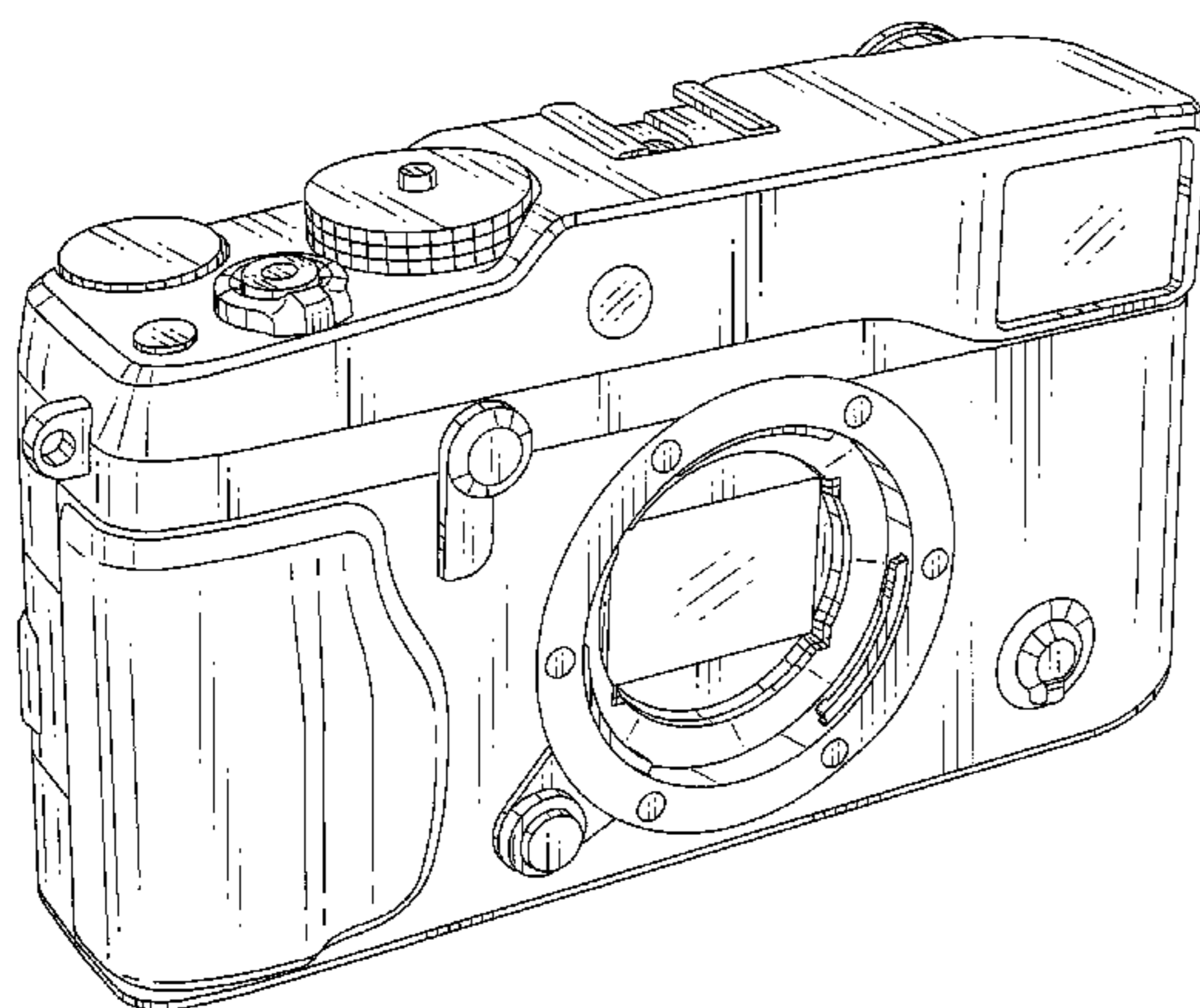


FIG. 1

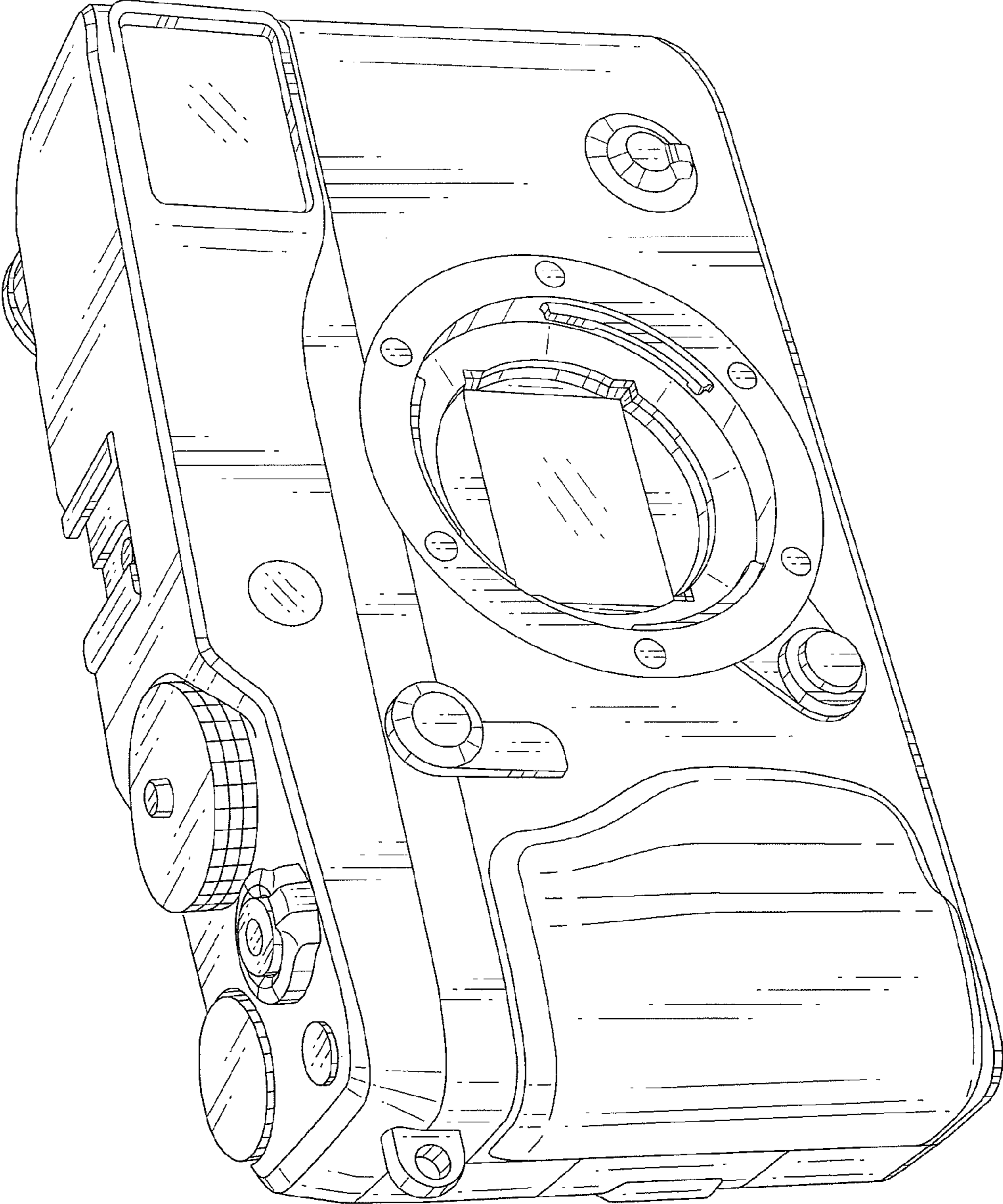


FIG. 2

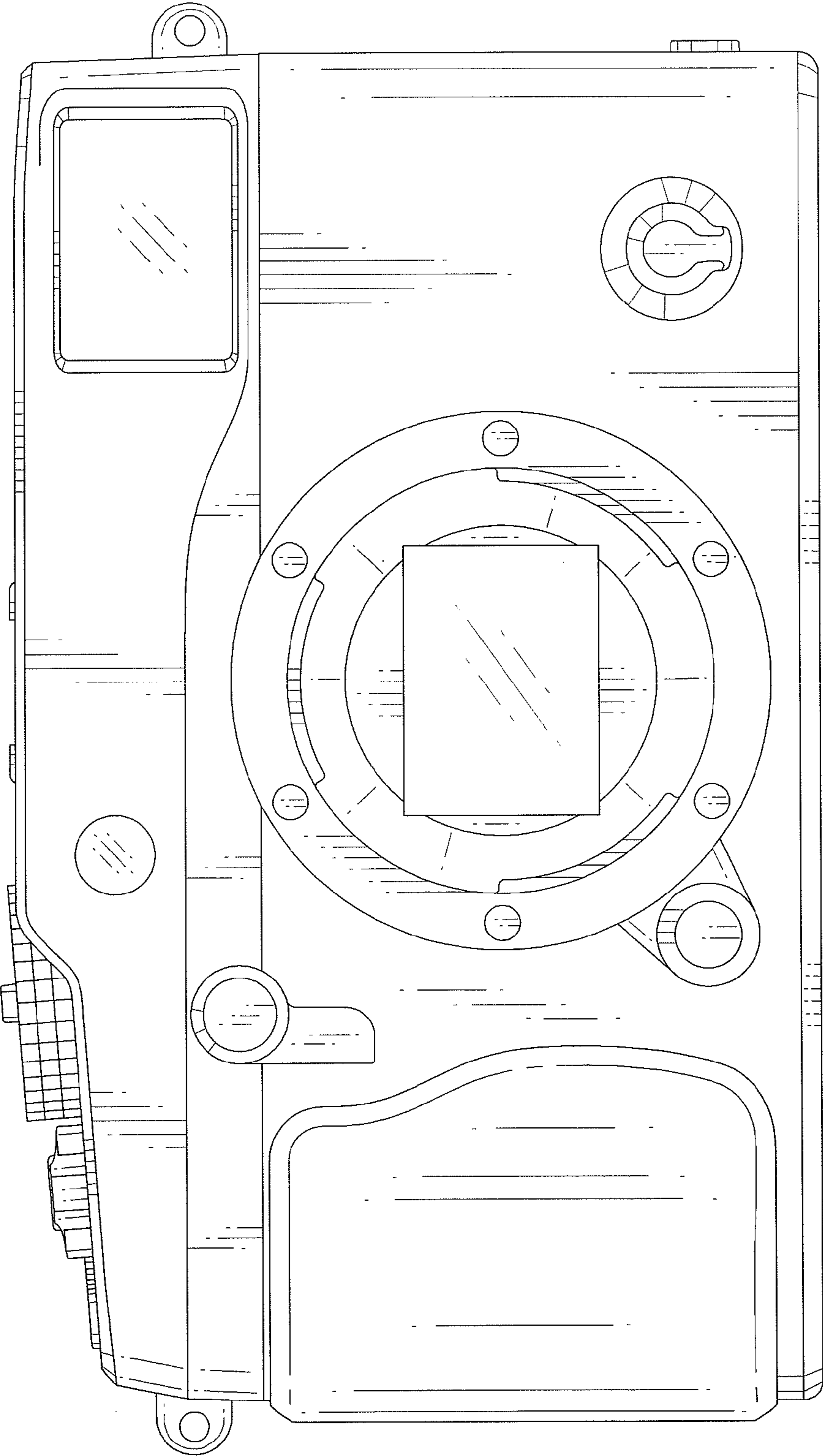


FIG. 3

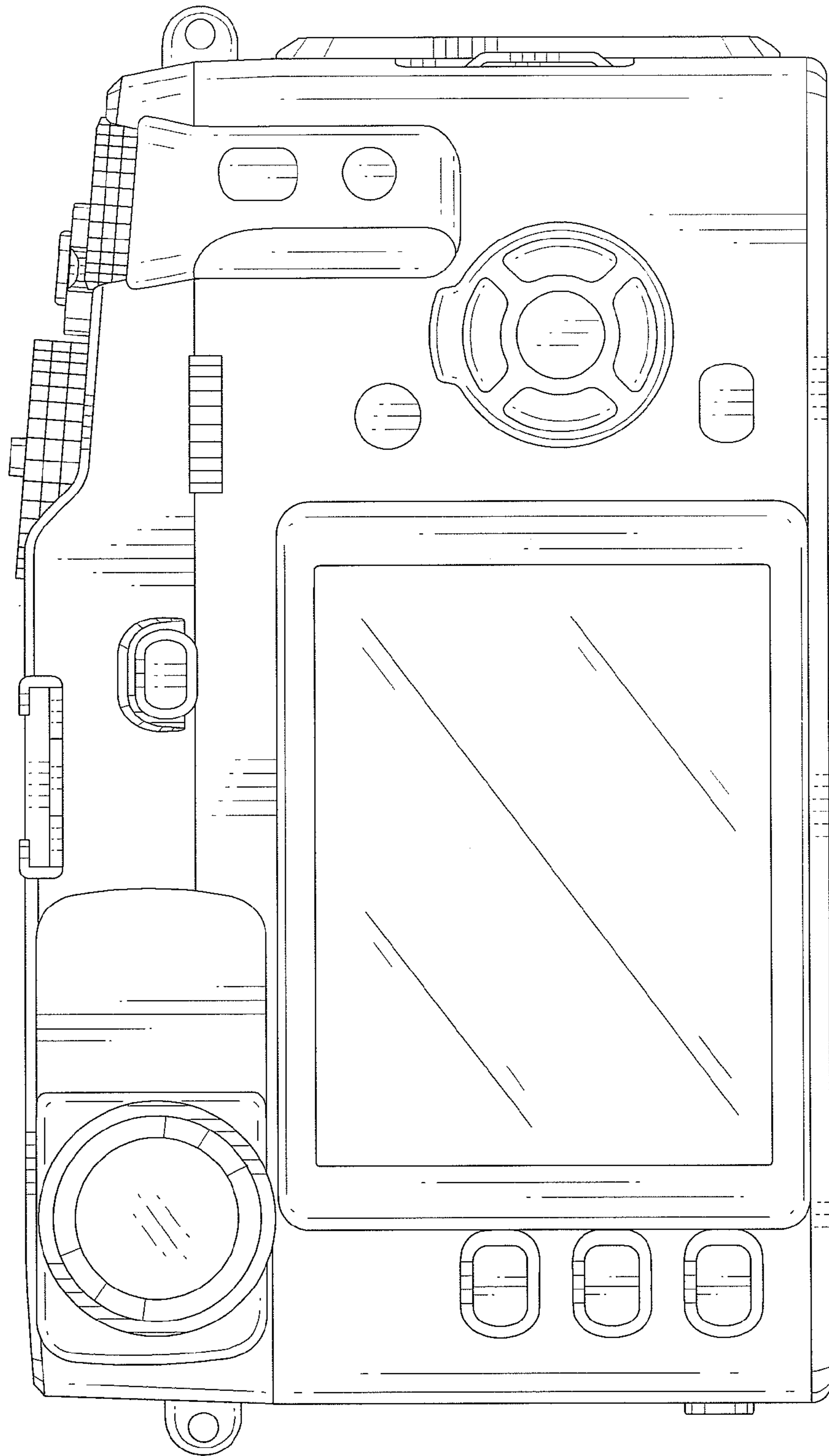


FIG. 4

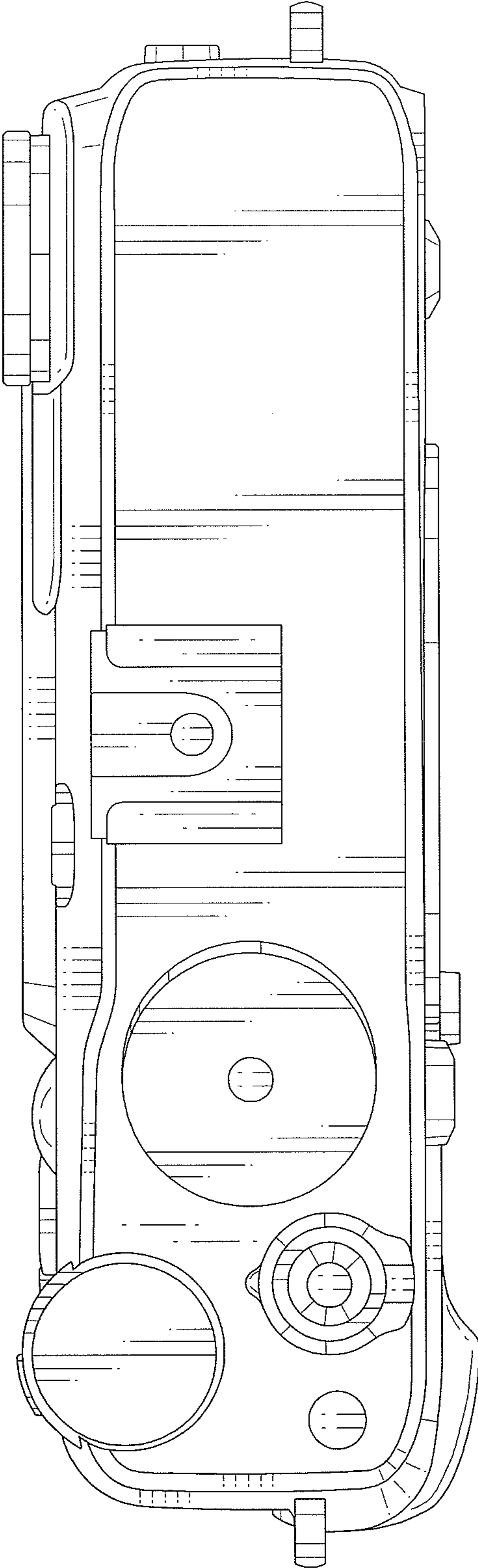


FIG. 5

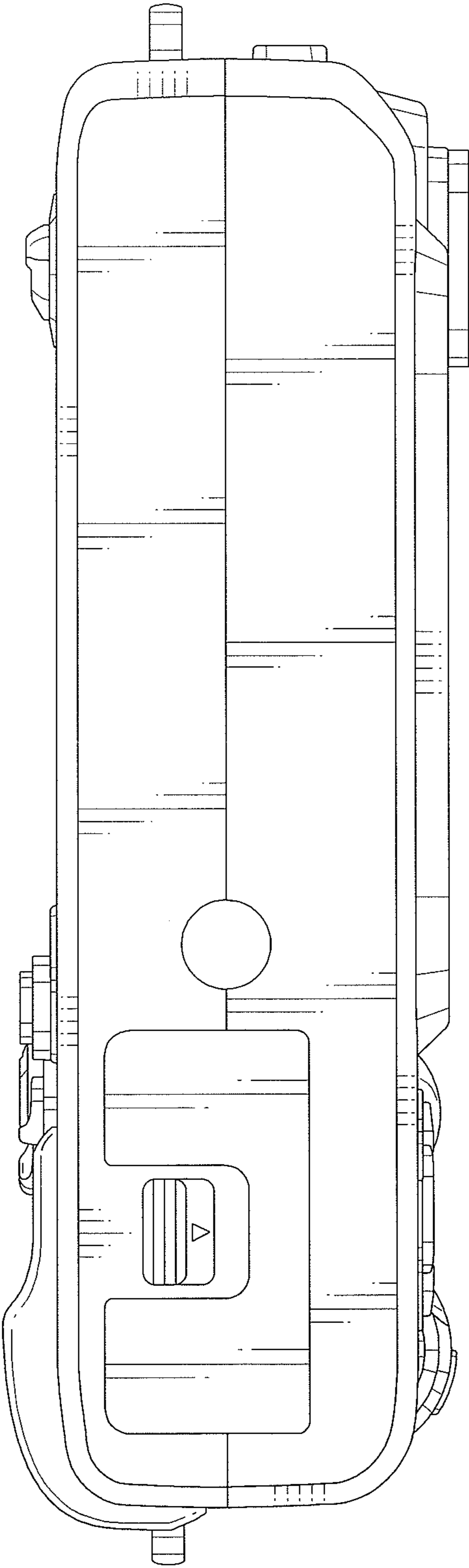


FIG. 6

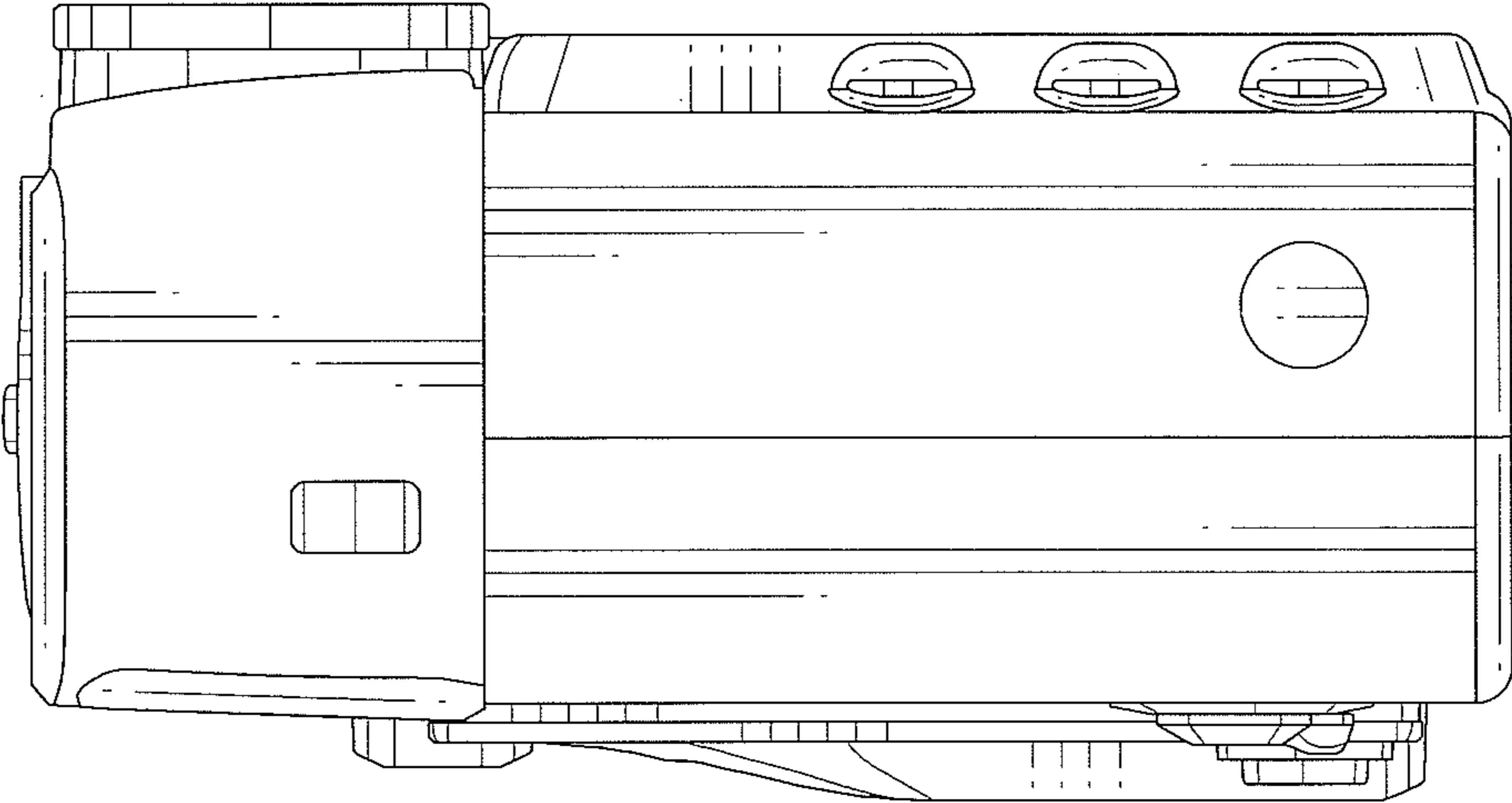


FIG. 7

