



US00D681708S

(12) **United States Design Patent**
Miyake et al.

(10) **Patent No.:** **US D681,708 S**
(45) **Date of Patent:** **** May 7, 2013**

- (54) **INDUSTRIAL ROBOT**
- (71) Applicants: **Takanori Miyake**, Chiyoda-ku (JP);
Haruo Ito, Chiyoda-ku (JP)
- (72) Inventors: **Takanori Miyake**, Chiyoda-ku (JP);
Haruo Ito, Chiyoda-ku (JP)
- (73) Assignee: **Mitsubishi Electric Corporation**,
Tokyo (JP)
- (**) Term: **14 Years**
- (21) Appl. No.: **29/436,541**
- (22) Filed: **Nov. 7, 2012**
- (30) **Foreign Application Priority Data**
 - May 10, 2012 (JP) 2012-010918
 - May 10, 2012 (JP) 2012-010919
- (51) **LOC (9) Cl.** **15-99**
- (52) **U.S. Cl.**
USPC **D15/199**
- (58) **Field of Classification Search** D15/122,
D15/199; D24/176; 74/490.01, 490.02,
74/490.03, 490.05; 198/367, 370.1, 370.04,
198/722, 771, 782, 866, 890, 890.1; 219/124.34,
219/639; 318/560; 414/744.1, 935, 936,
414/937, 938, 940; 700/150
See application file for complete search history.

- (56) **References Cited**
 - U.S. PATENT DOCUMENTS
 - D300,935 S * 5/1989 Maddock et al. D15/199
 - D334,581 S * 4/1993 Yoshikawa et al. D15/199
 - D440,241 S * 4/2001 Kawahara et al. D15/199
 - D443,287 S * 6/2001 Kawahara et al. D15/199
 - D615,574 S * 5/2010 Liu et al. D15/199
 - D616,477 S * 5/2010 Long et al. D15/199

- D616,909 S * 6/2010 Long D15/199
- D624,104 S * 9/2010 Miyake et al. D15/199
- D629,030 S * 12/2010 Long et al. D15/199
- D638,043 S * 5/2011 Tsuchiya et al. D15/199
- D638,044 S * 5/2011 Ikoma et al. D15/199
- D638,455 S * 5/2011 Long D15/199
- D650,820 S * 12/2011 Long D15/199
- D651,627 S * 1/2012 Long D15/199
- D670,319 S * 11/2012 Liu et al. D15/199
- 2005/0092122 A1 * 5/2005 Markert et al. 74/490.01
- 2005/0126327 A1 * 6/2005 Markert et al. 74/490.02
- 2008/0271561 A1 * 11/2008 Ohara et al. 74/490.01

* cited by examiner

Primary Examiner — Patricia Palasik
(74) *Attorney, Agent, or Firm* — Sughrue Mion, PLLC

(57) **CLAIM**
The ornamental design for an industrial robot, as shown and described.

DESCRIPTION
FIG. 1 is a front, top and right side perspective view of an industrial robot, showing our new design;
FIG. 2 is a front elevational view thereof;
FIG. 3 is a rear elevational view thereof;
FIG. 4 is a left side elevational view thereof;
FIG. 5 is a right side elevational view thereof;
FIG. 6 is a top plan view thereof;
FIG. 7 is a bottom plan view thereof;
FIG. 8 is a front, top and right side perspective view of an industrial robot, according to a second embodiment of our new design;
FIG. 9 is a front elevational view thereof;
FIG. 10 is a rear elevational view thereof;
FIG. 11 is a left side elevational view thereof;
FIG. 12 is a right side elevational view thereof;
FIG. 13 is a top plan view thereof; and,
FIG. 14 is a bottom plan view thereof.

1 Claim, 10 Drawing Sheets

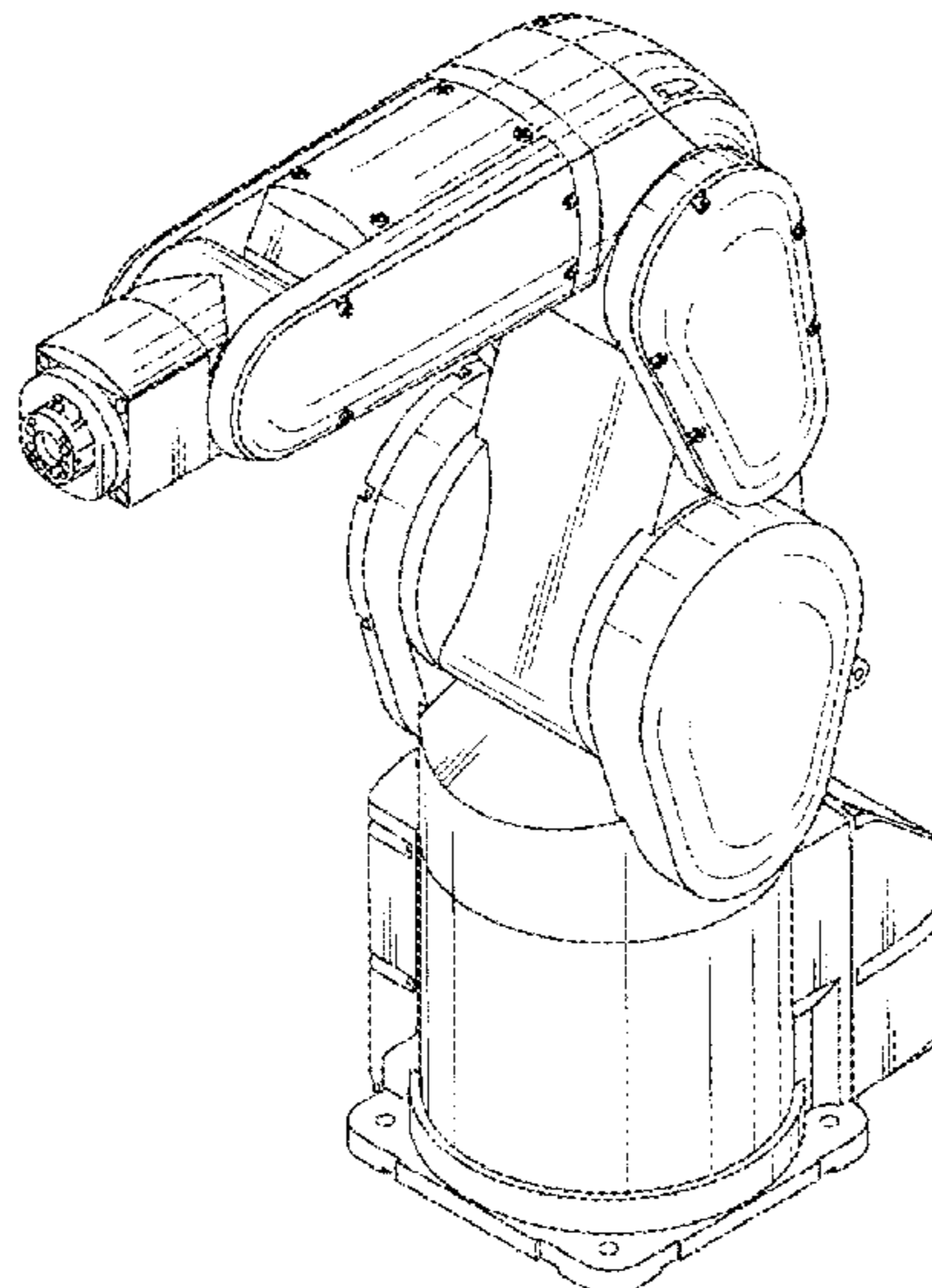


Fig. 1

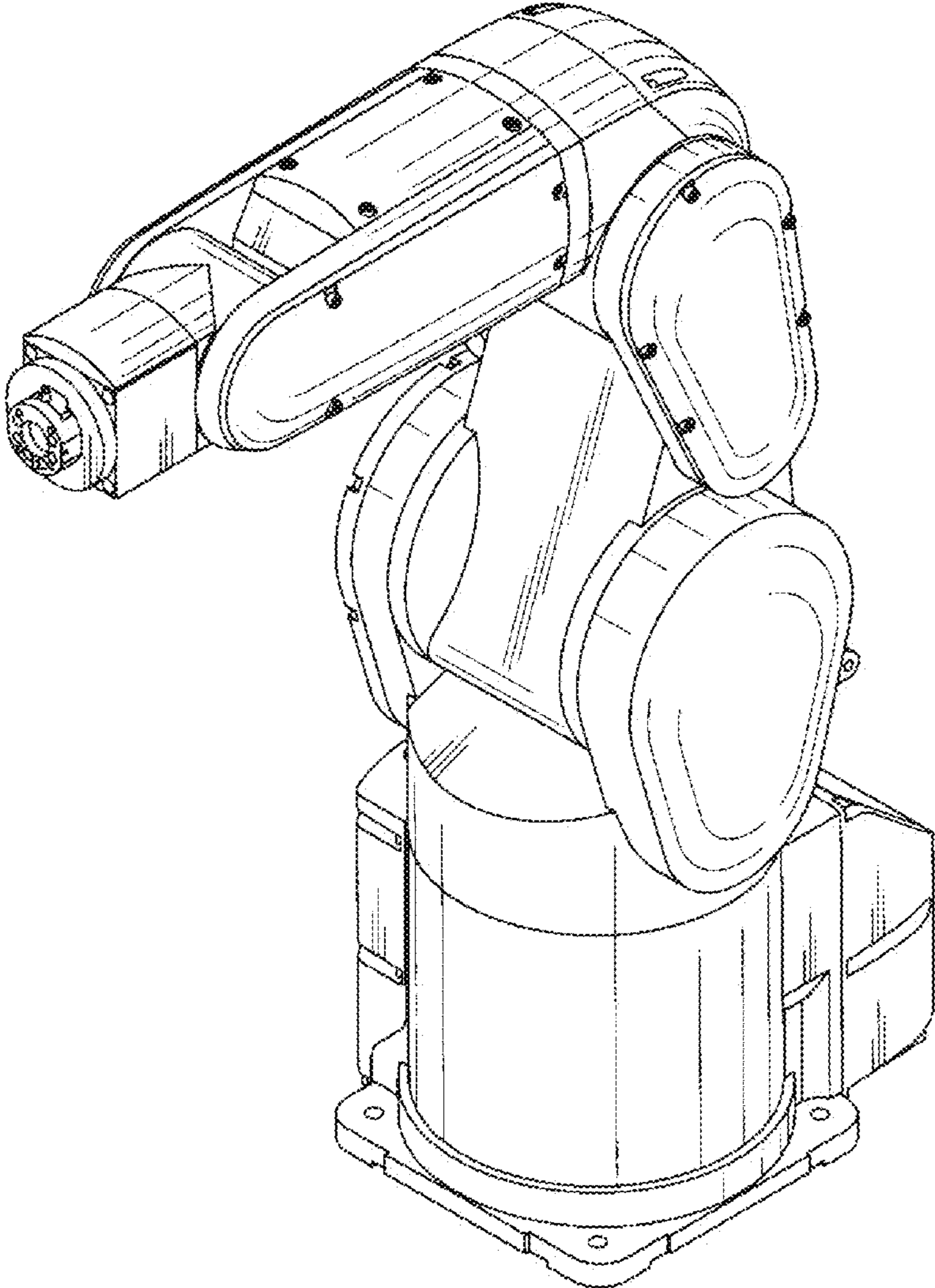


Fig. 2

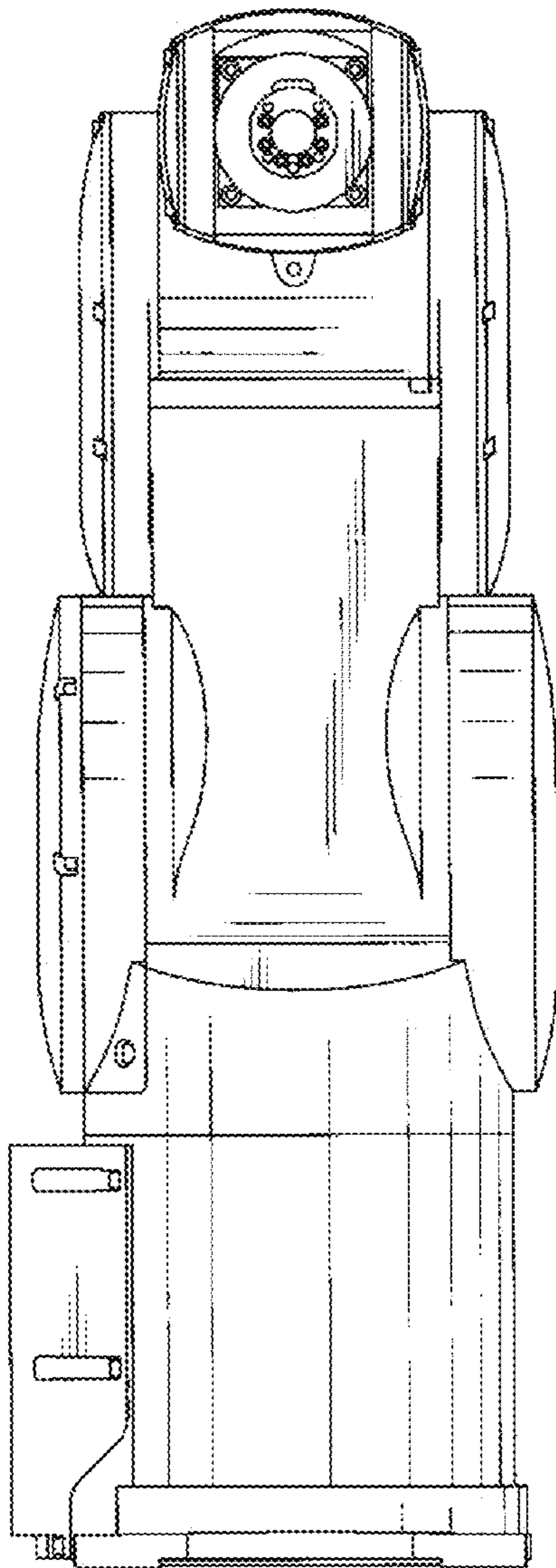


Fig. 3

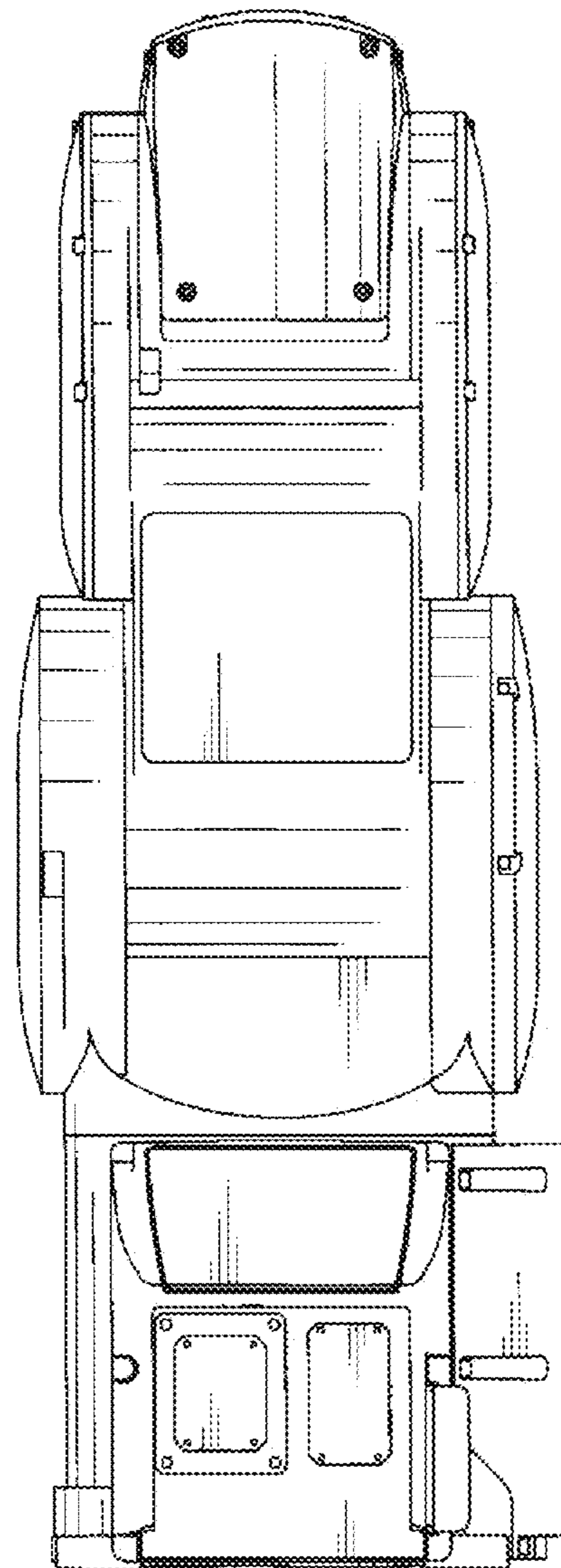


Fig. 4

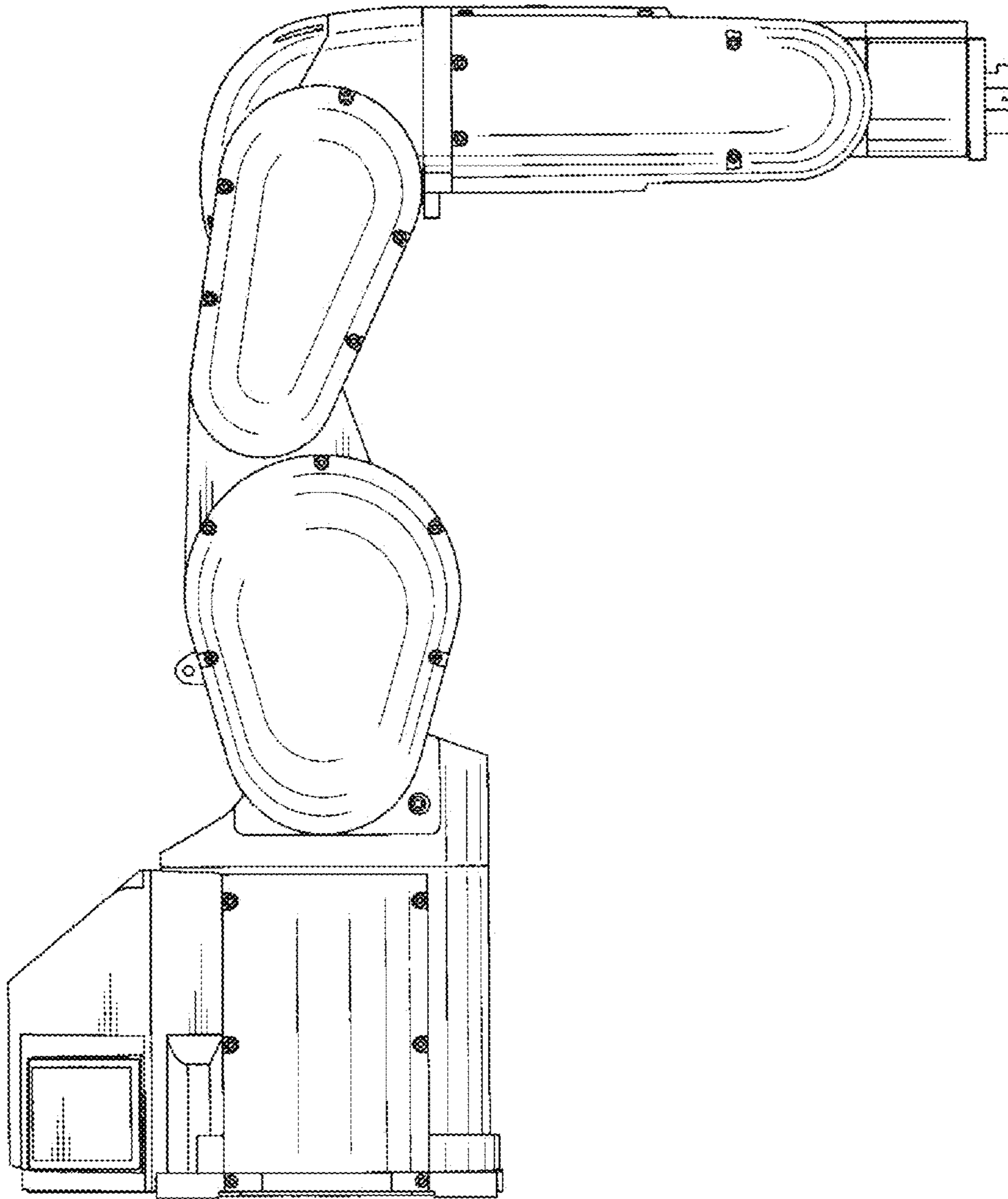


Fig. 5

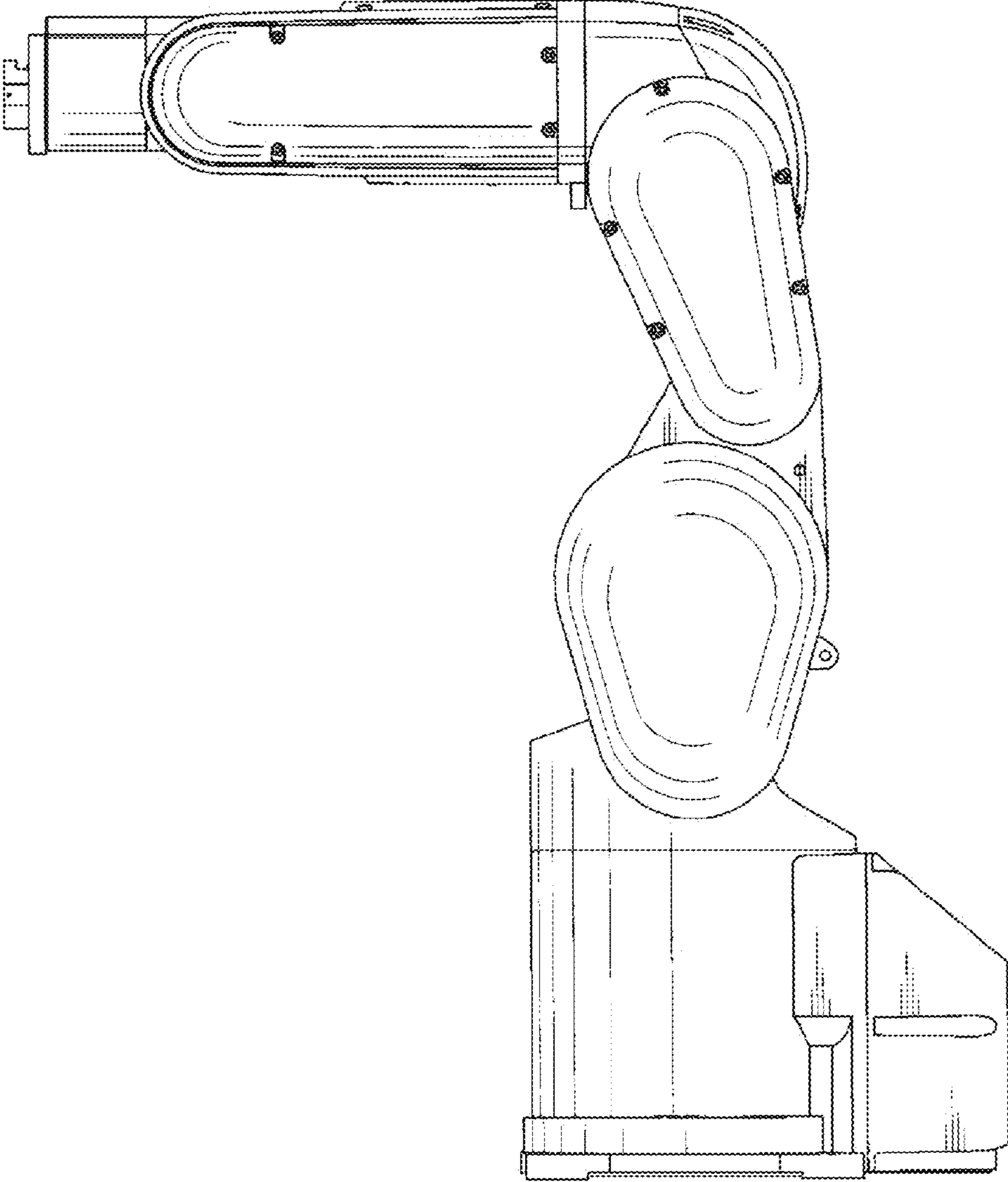


Fig. 6

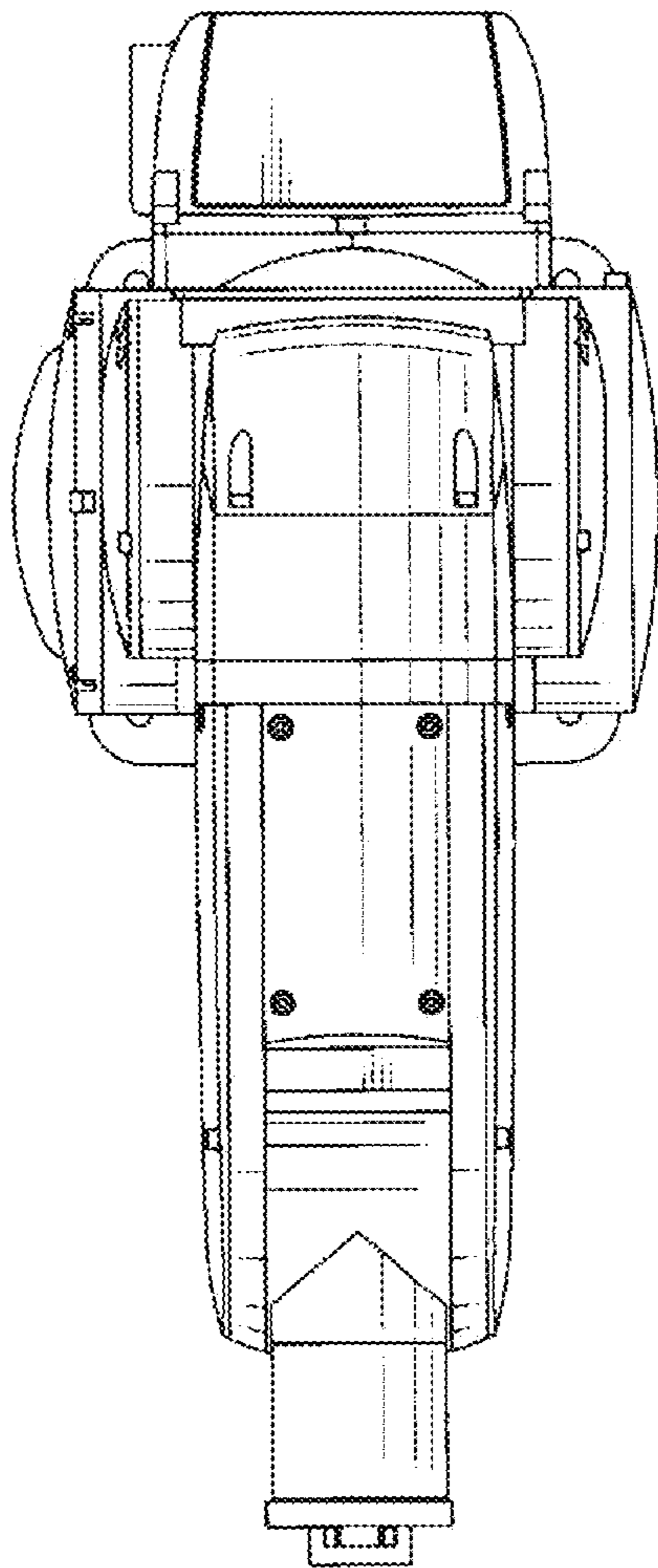


Fig. 7

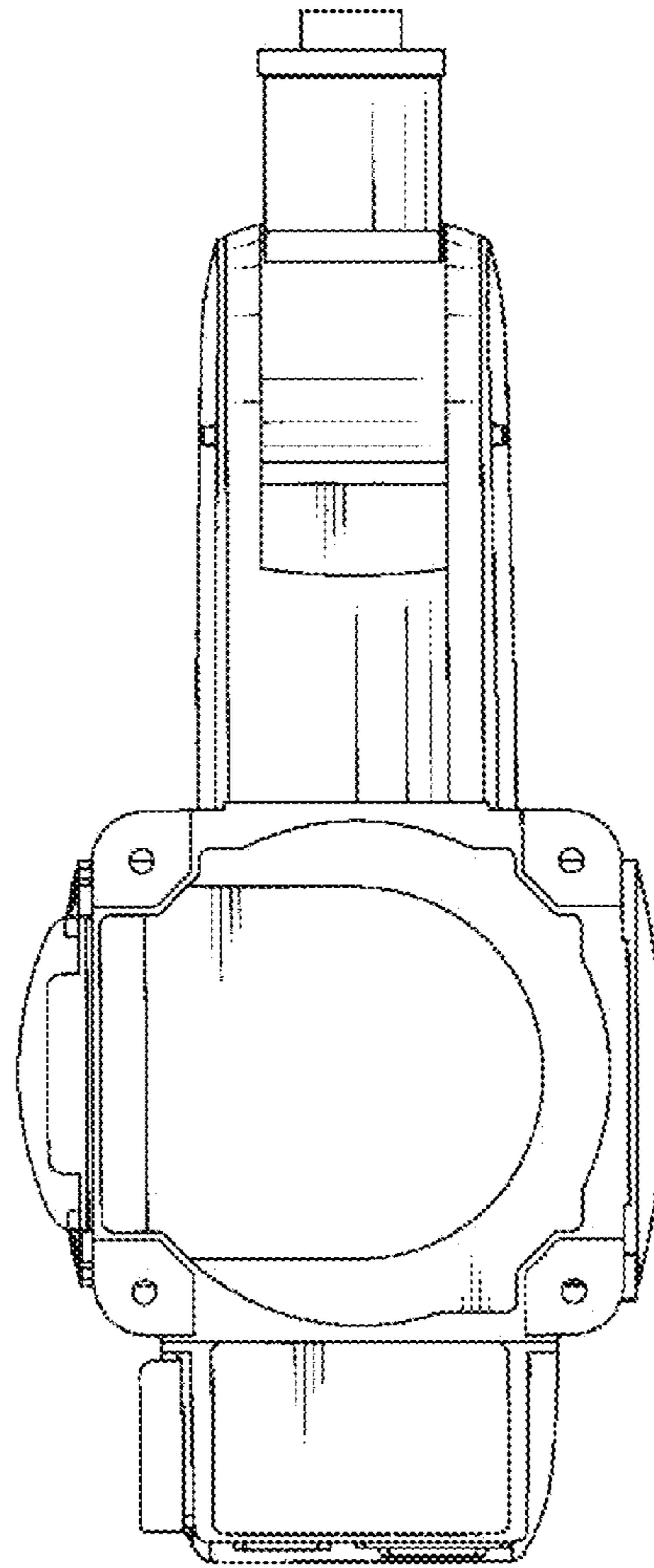


Fig. 8

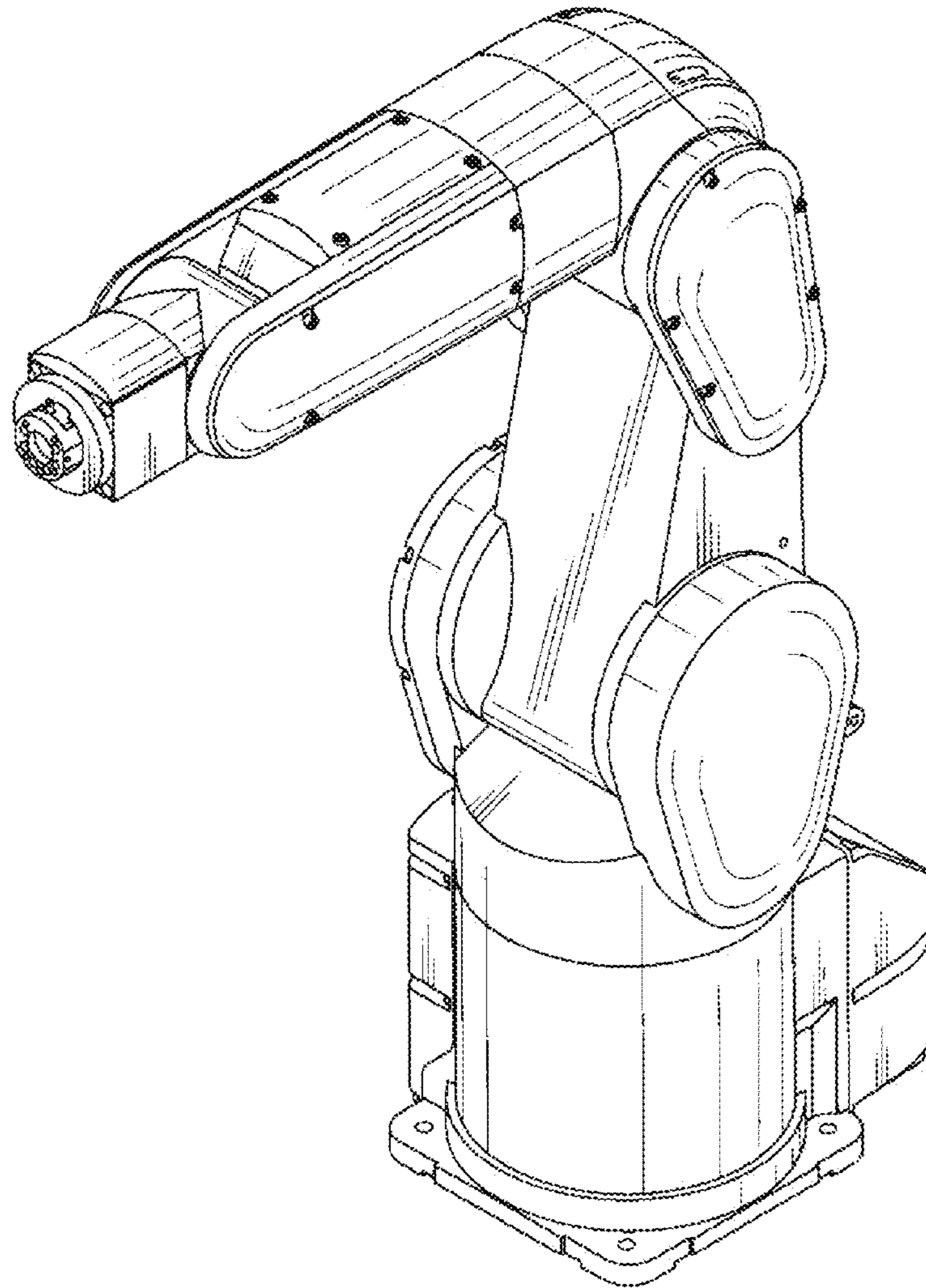


Fig. 9

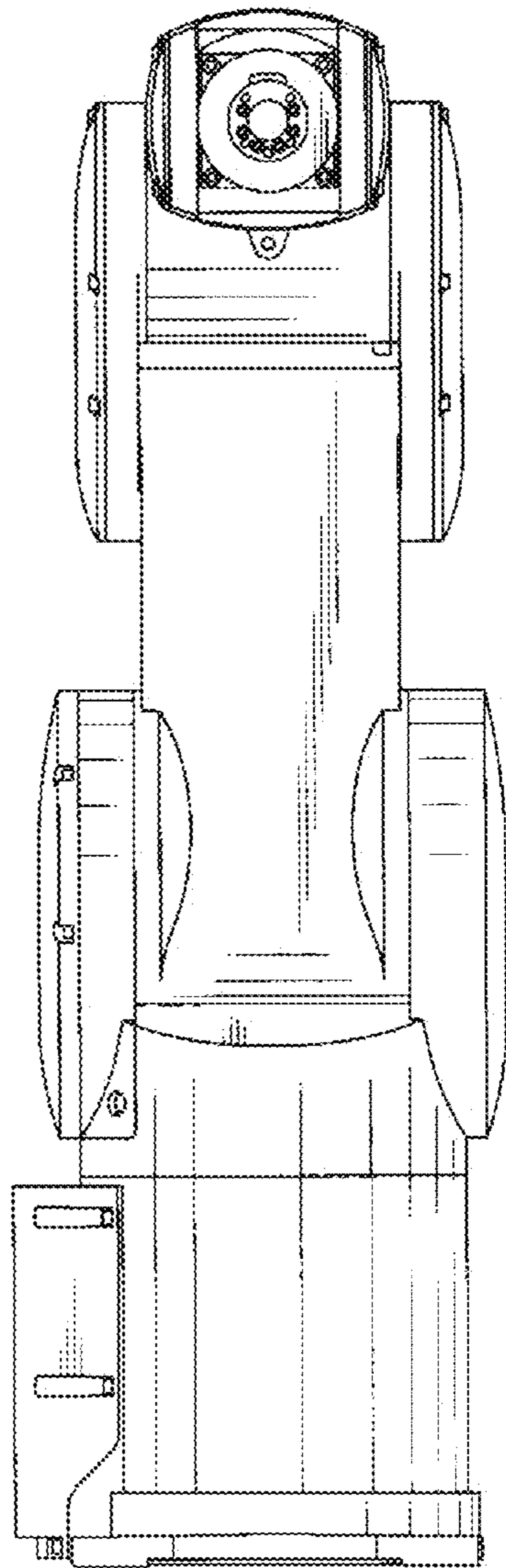


Fig. 10

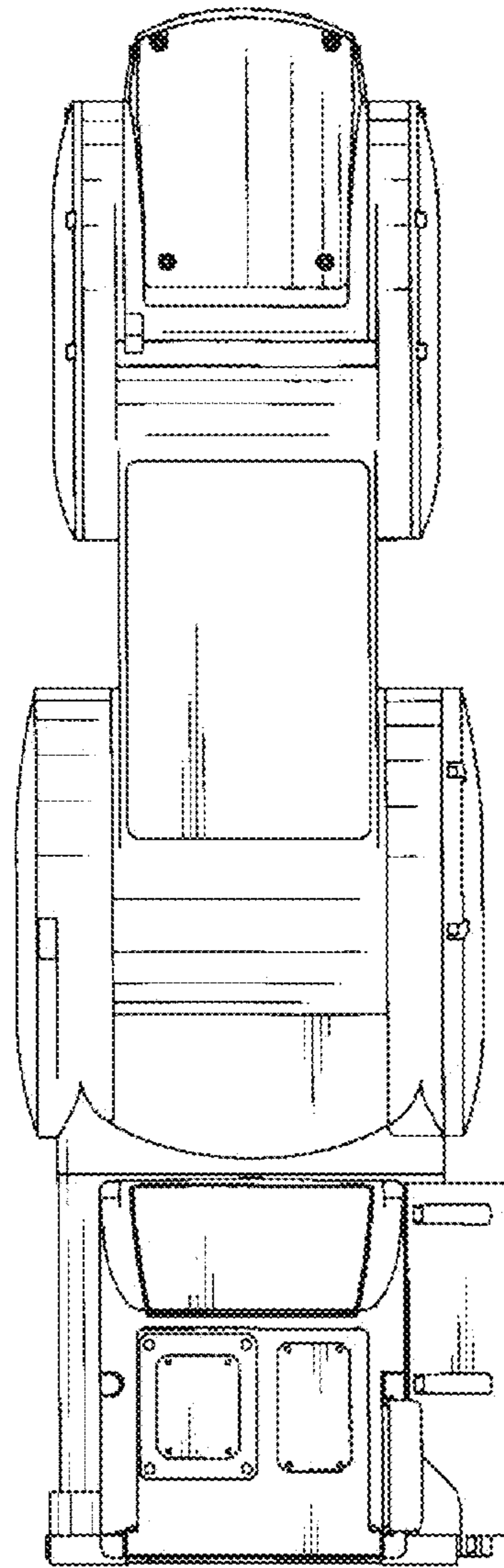


Fig. 11

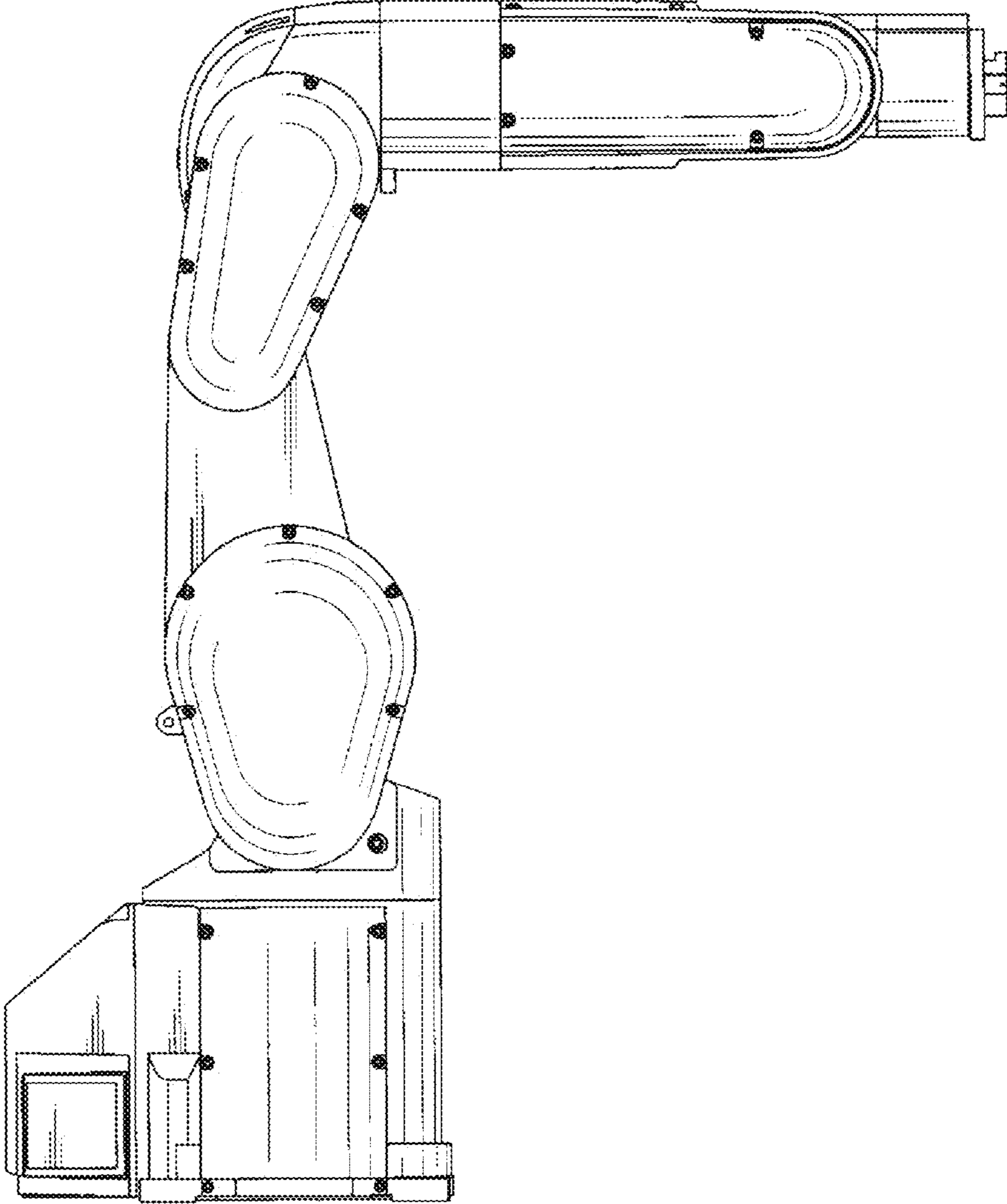


Fig. 12

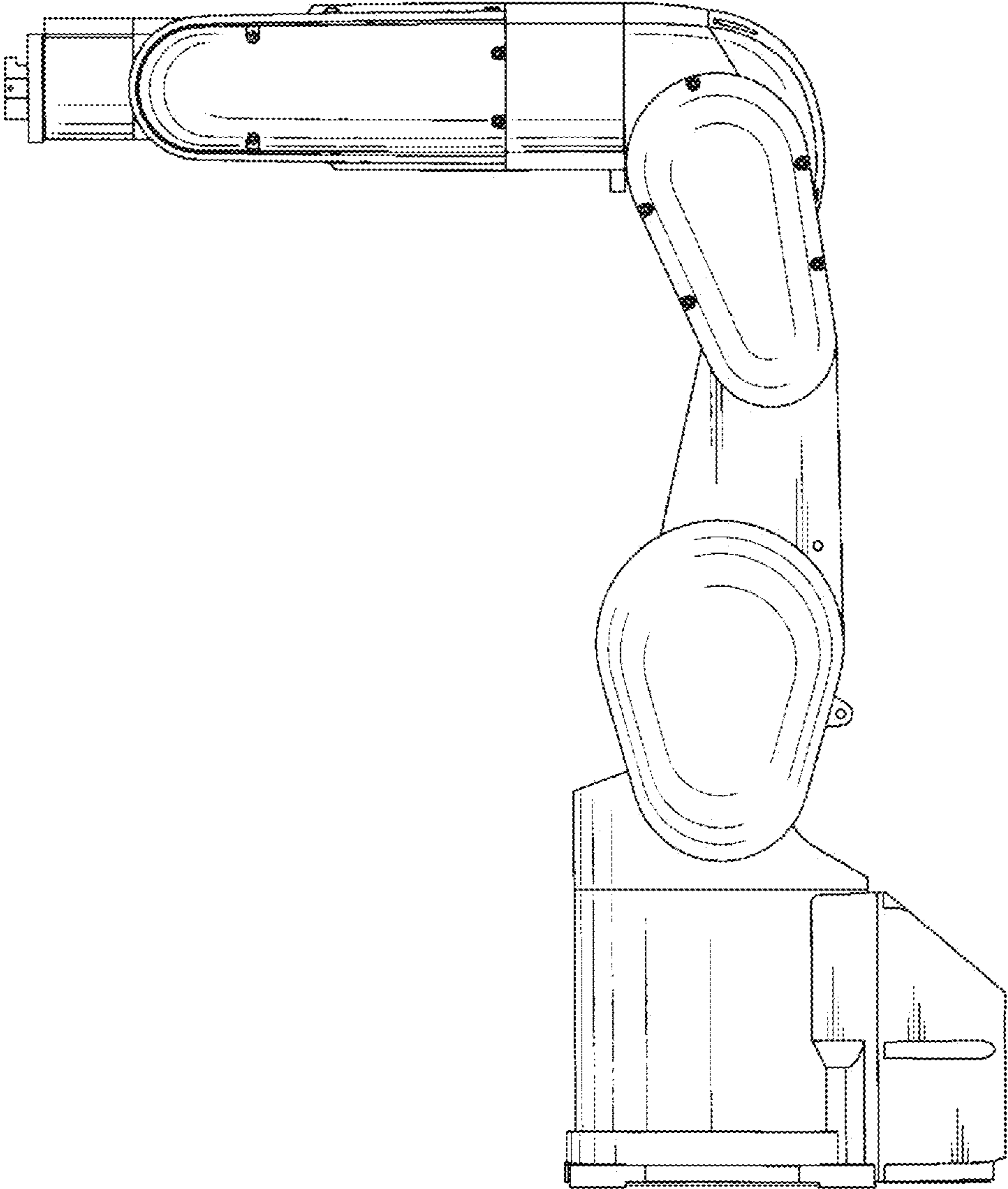


Fig. 13

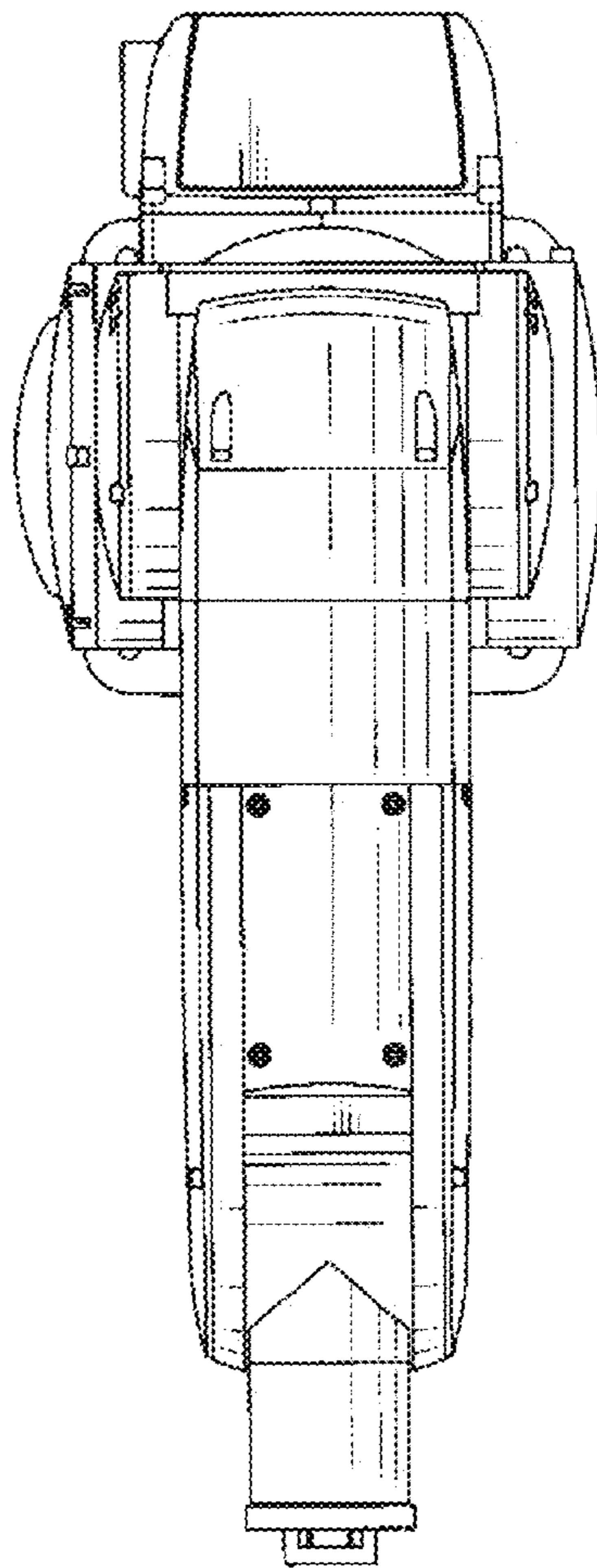


Fig. 14

