



US00D681707S

(12) **United States Design Patent**
Rogers et al.

(10) **Patent No.:** **US D681,707 S**
(45) **Date of Patent:** **** May 7, 2013**

(54) **WORM GEAR ADJUSTER**

(75) Inventors: **David C. Rogers**, Boston, MA (US);
Duco W. Noordzij, Roxbury, MA (US);
Peter L. Stokes, Cambridge, MA (US);
Leonard M. Koenig, Boston, MA (US)

(73) Assignee: **Artisent, LLC**, Simpson, PA (US)

(**) Term: **14 Years**

(21) Appl. No.: **29/386,672**

(22) Filed: **Mar. 3, 2011**

(51) **LOC (9) Cl.** **15-99**

(52) **U.S. Cl.**
USPC **D15/199**

(58) **Field of Classification Search** D13/158,
D13/162, 171, 174, 184; D15/5, 7, 9, 142,
D15/148, 199; D29/122, 125; 2/410, 416,
2/417, 418, 420, 425; 5/622, 637, 640, 643;
74/89.17, 108, 109, 422, 425, 458, 507; 128/845,
128/869; 378/68, 208; 600/595
See application file for complete search history.

(56) **References Cited**

U.S. PATENT DOCUMENTS

2,568,559 A	9/1951	Nolde	
2,747,191 A	5/1956	Hoffmaster	
2,842,976 A	7/1958	Young	
D191,849 S *	11/1961	Everest	D15/149
D191,850 S *	11/1961	Everest	D15/149
3,595,094 A	7/1971	Lemor	
D277,487 S *	2/1985	Nilsson	D15/149
4,604,950 A	8/1986	Sette	
4,942,628 A	7/1990	Freund	
5,222,408 A *	6/1993	Yoshida et al.	74/458
5,373,857 A *	12/1994	Travers et al.	600/595

5,388,580 A	2/1995	Sullivan et al.	
6,048,324 A *	4/2000	Socci et al.	600/595
6,216,394 B1	4/2001	Fenelon	
6,307,481 B1 *	10/2001	Lehrman et al.	340/669
6,371,507 B1 *	4/2002	Durrani et al.	280/728.2
6,457,210 B1	10/2002	Shirai et al.	
6,584,867 B2	7/2003	Kennedy	
6,647,556 B2	11/2003	Grepper et al.	
6,730,047 B2 *	5/2004	Socci et al.	600/595
D494,927 S *	8/2004	Nakahashi	D13/112

(Continued)

FOREIGN PATENT DOCUMENTS

JP 07293515 A 11/1995

Primary Examiner — Patricia Palasik

(74) *Attorney, Agent, or Firm* — Morgan, Lewis & Bockius LLP

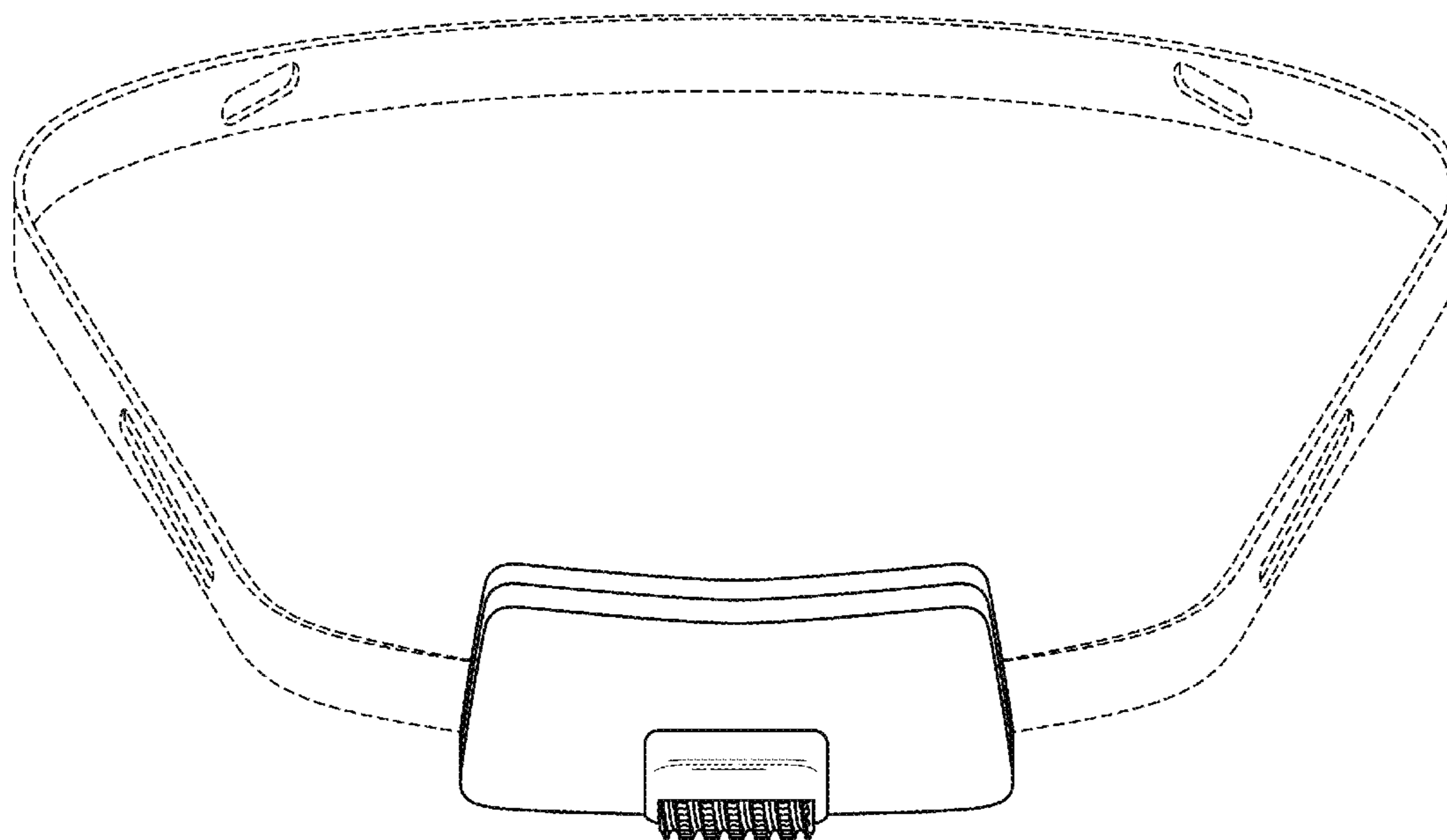
(57) **CLAIM**

The ornamental design for a worm gear adjuster, as shown and described.

DESCRIPTION

FIG. 1 is a front perspective view of the worm gear adjuster disposed on a headband;
FIG. 2 is a front perspective view of the worm gear adjuster disposed on a helmet;
FIG. 3 is a front side view of the worm gear adjuster;
FIG. 4 is a rear side view of the worm gear adjuster;
FIG. 5 is a bottom view of the worm gear adjuster;
FIG. 6 is a top view of the worm gear adjuster;
FIG. 7 is a right side view of the worm gear adjuster; and,
FIG. 8 is a left side view of the worm gear adjuster.
The headband, the helmet, and certain features of the worm gear adjuster are shown in broken lines for illustrative purposes only and form no part of the claimed design.

1 Claim, 5 Drawing Sheets



US D681,707 S

Page 2

U.S. PATENT DOCUMENTS

7,117,551	B1	10/2006	Dinkler, II et al.				
D542,121	S *	5/2007	Seligman	D8/327			
7,383,728	B2 *	6/2008	Noble et al.	73/379.01			
2004/0225236	A1 *	11/2004	Wheeler et al.	600/595			
2006/0156845	A1 *	7/2006	Tong	74/425			
2006/0206994	A1	9/2006	Rogers et al.				
2008/0053808	A1 *	3/2008	Peffley et al.	200/400			
2009/0241712	A1 *	10/2009	Suzuki et al.	74/425			
2009/0295258	A1 *	12/2009	Caliendo et al.	310/68 B			
2010/0089194	A1 *	4/2010	Shimoda et al.	74/425			
2010/0140011	A1 *	6/2010	Wilkes et al.	180/444			
2011/0247440	A1 *	10/2011	Warke	74/405			
2012/0000305	A1 *	1/2012	Kazkaz et al.	74/416			

* cited by examiner

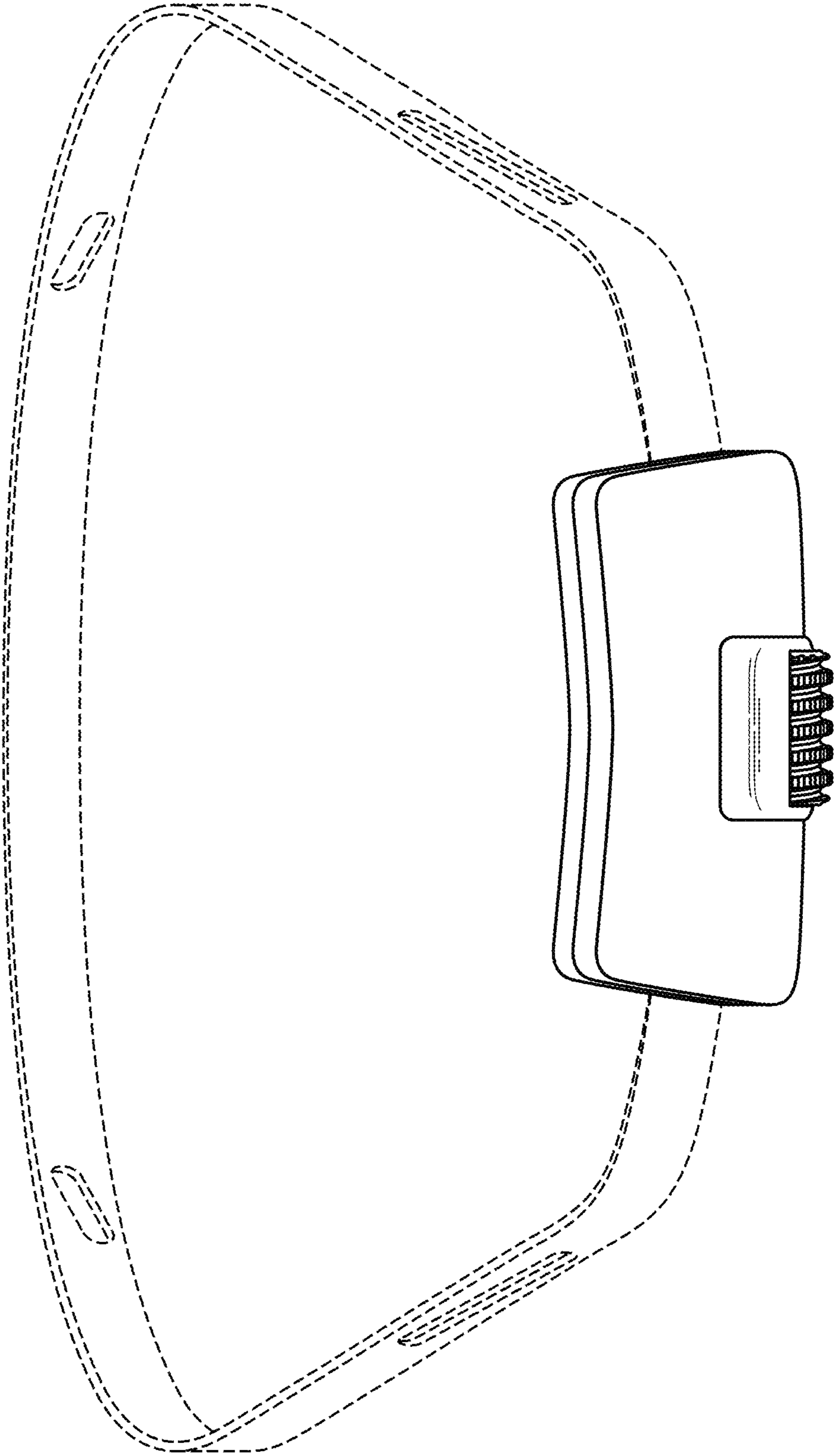


FIG. 1

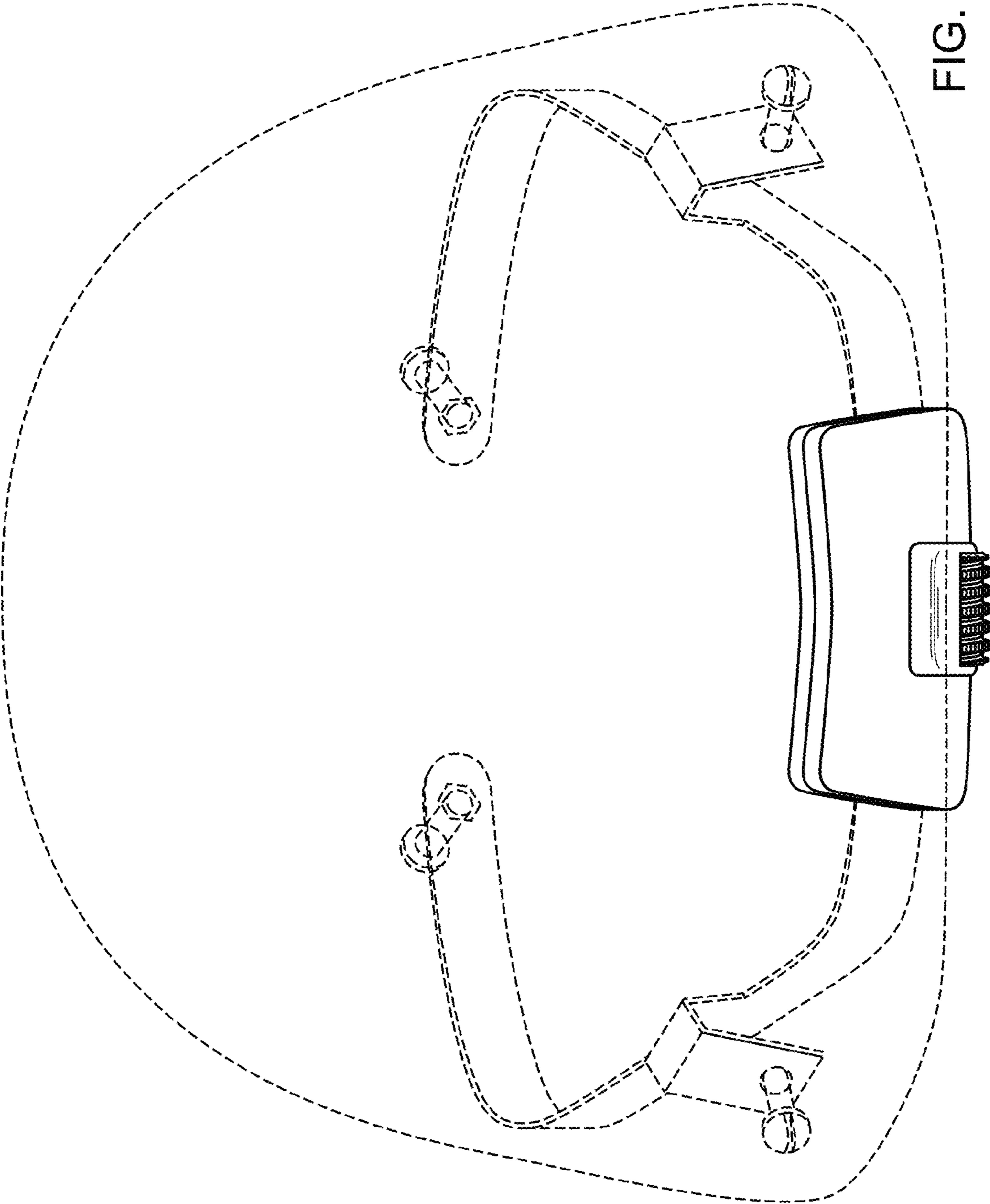


FIG. 2

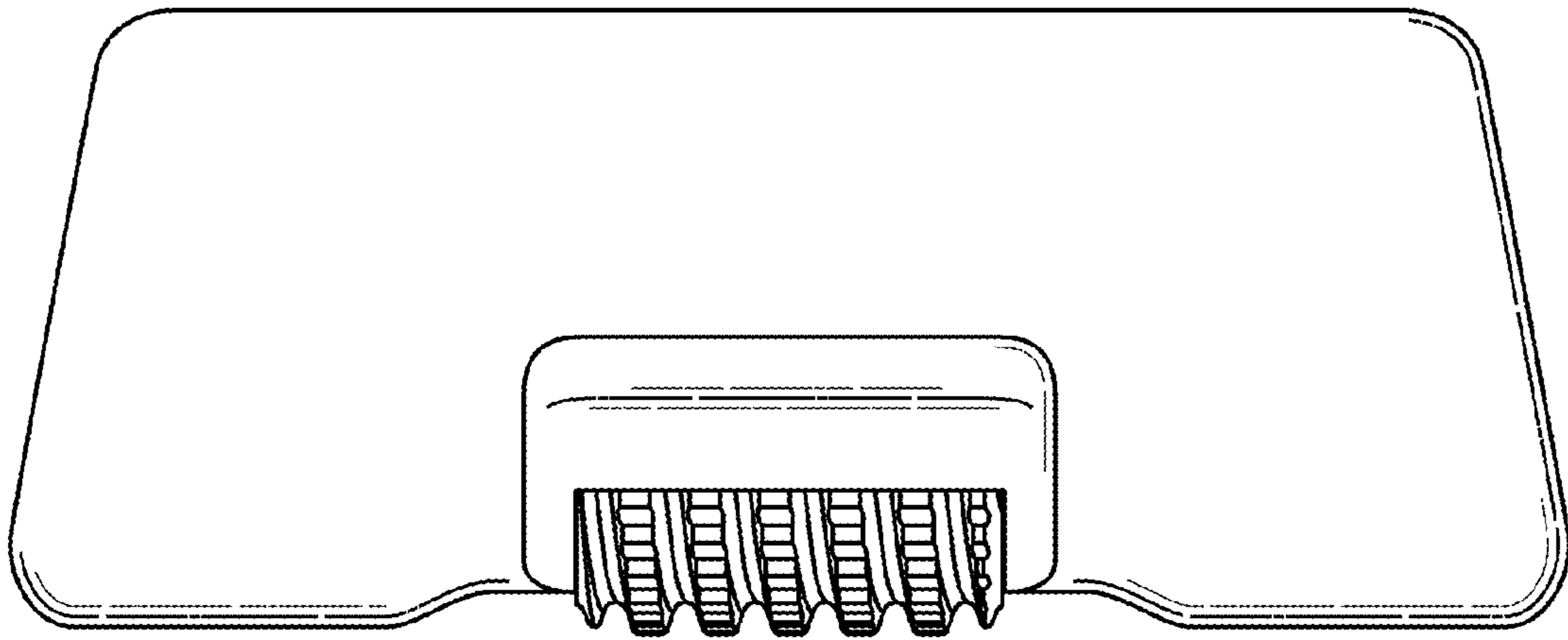


FIG. 3

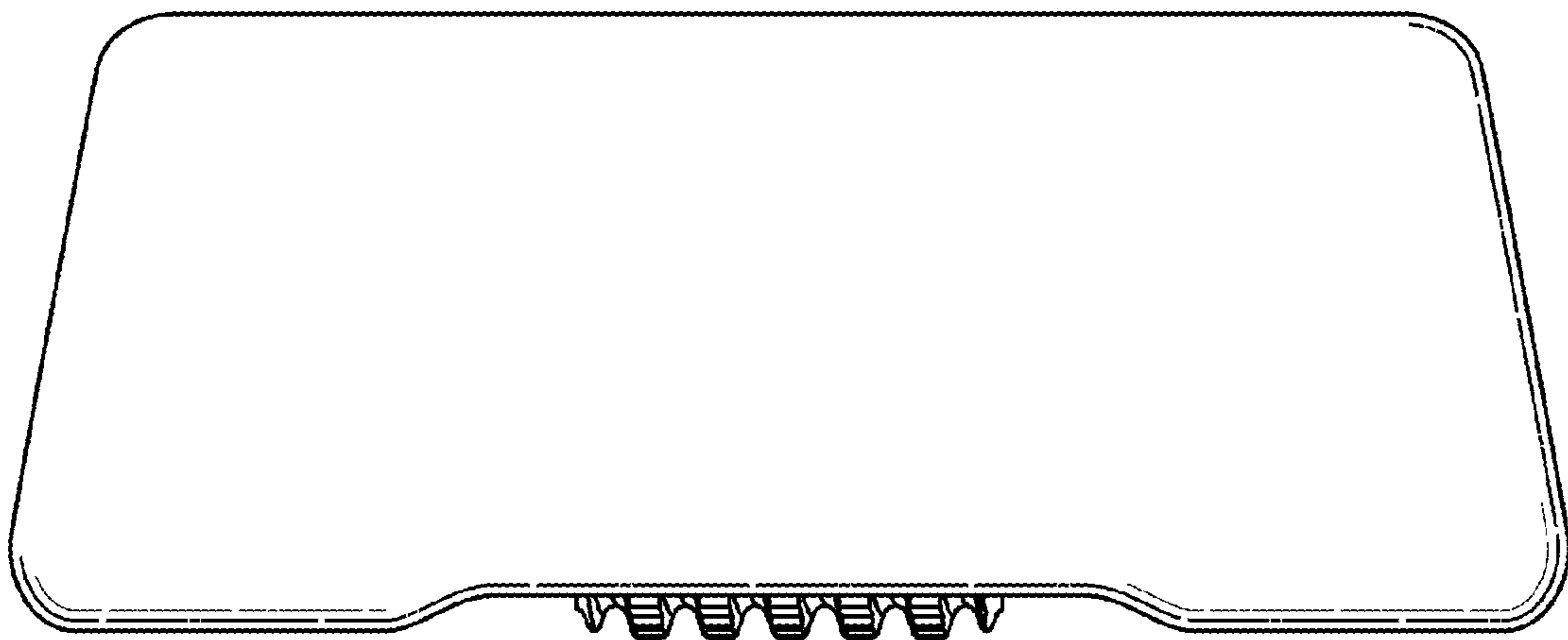


FIG. 4

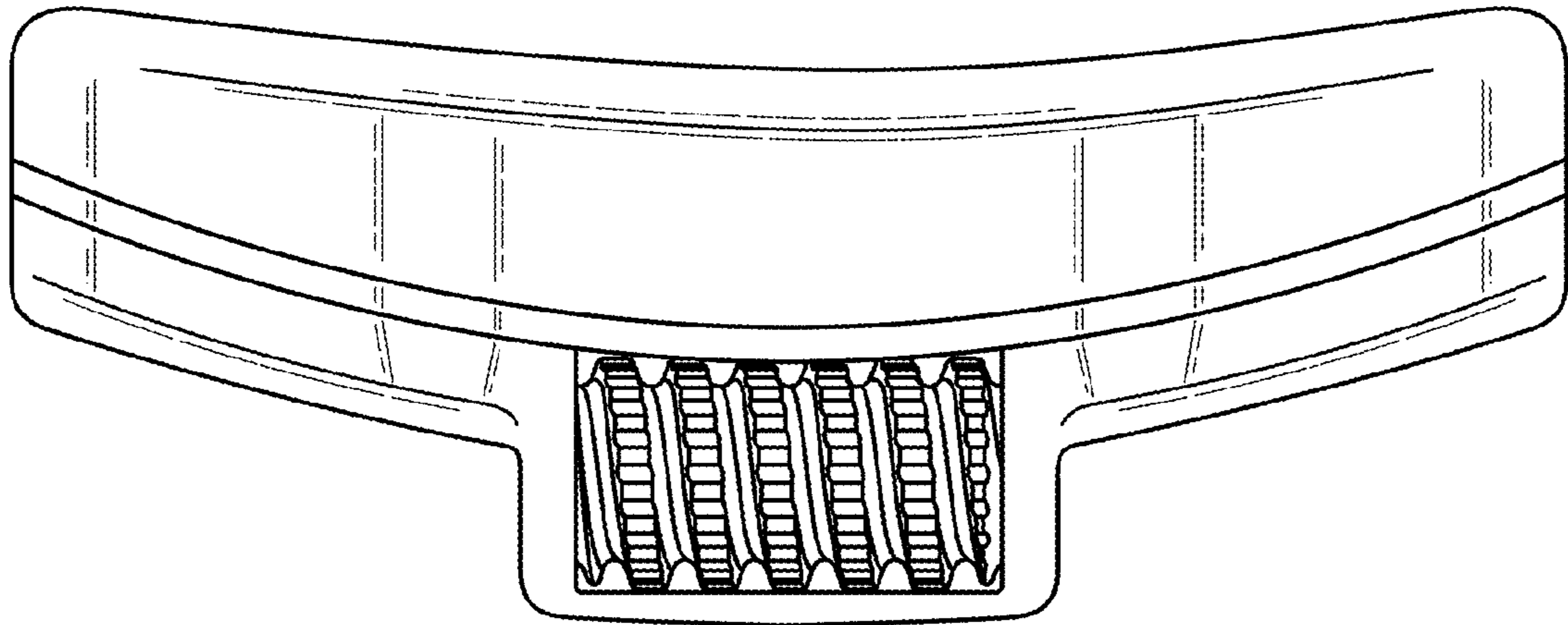


FIG. 5

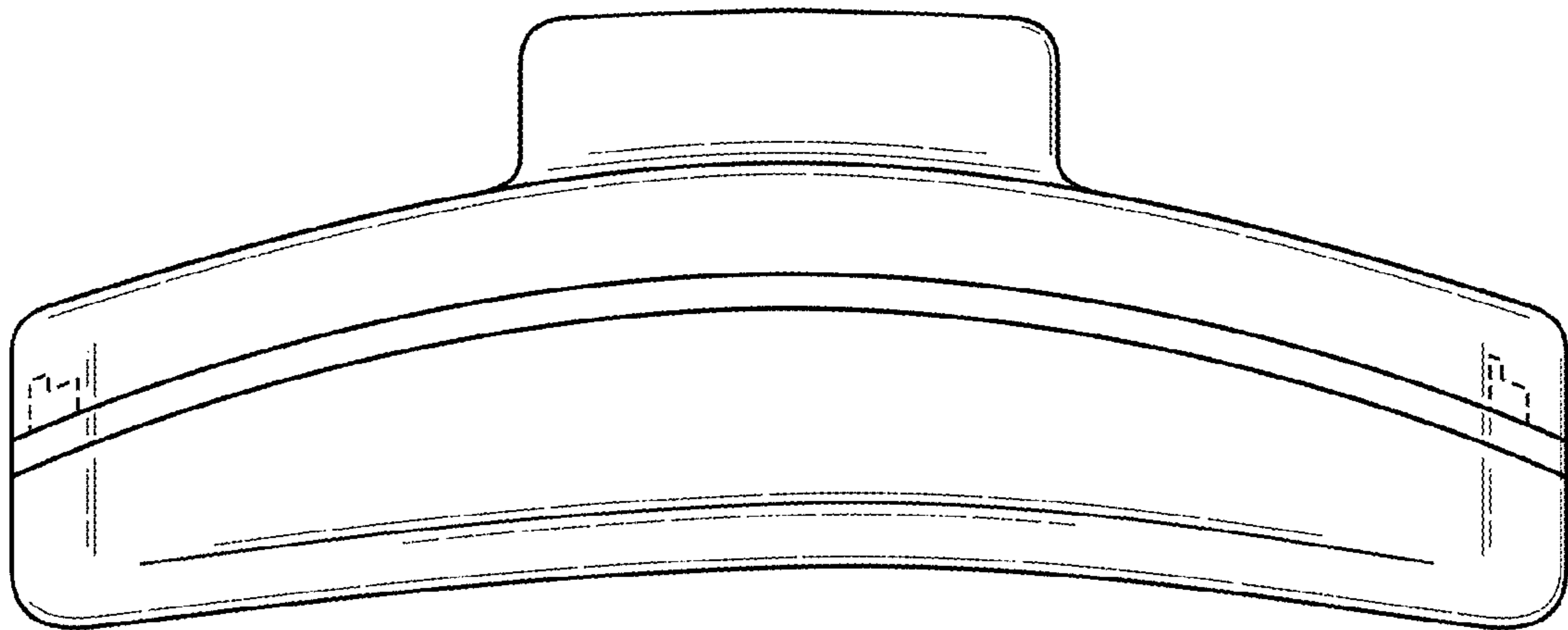


FIG. 6

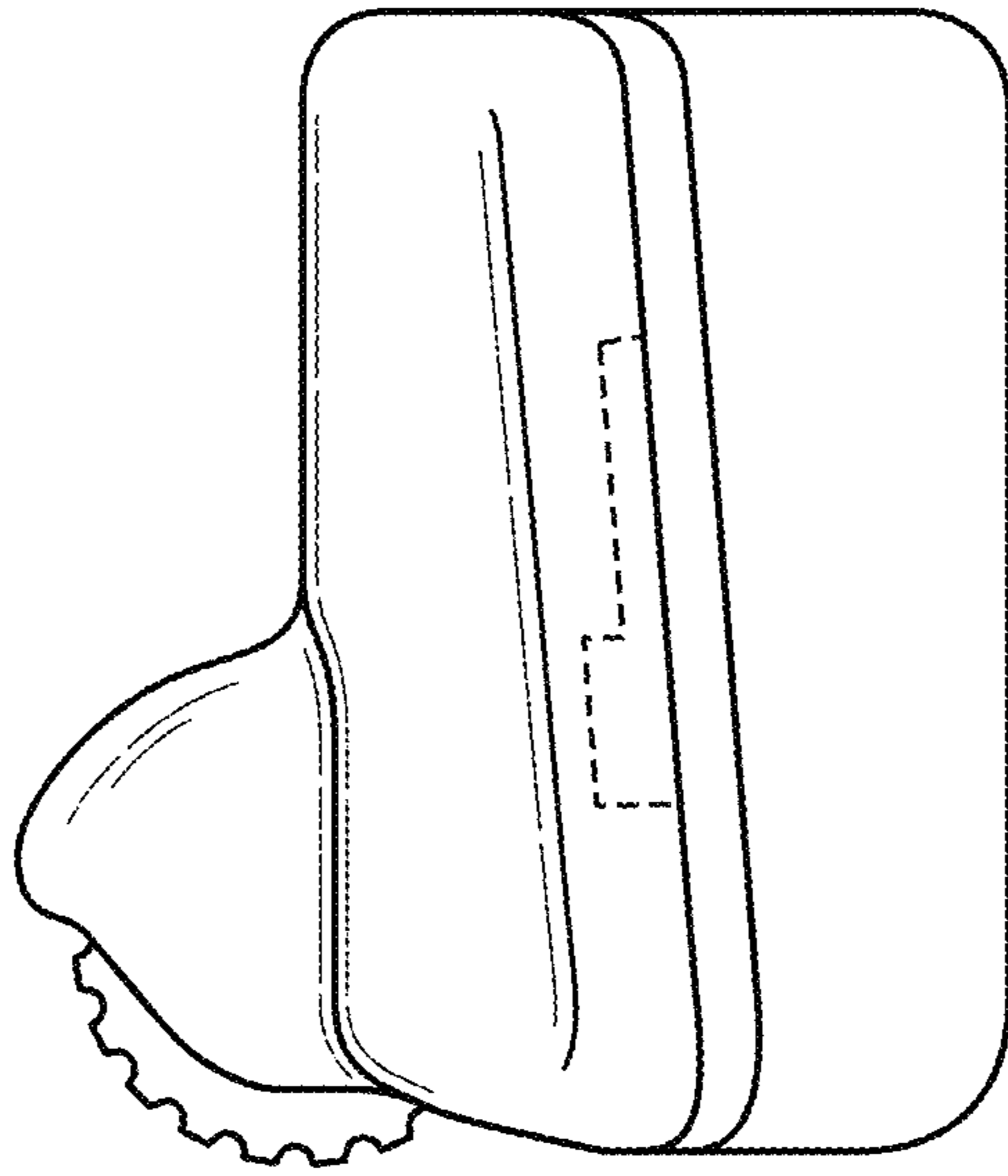


FIG. 7

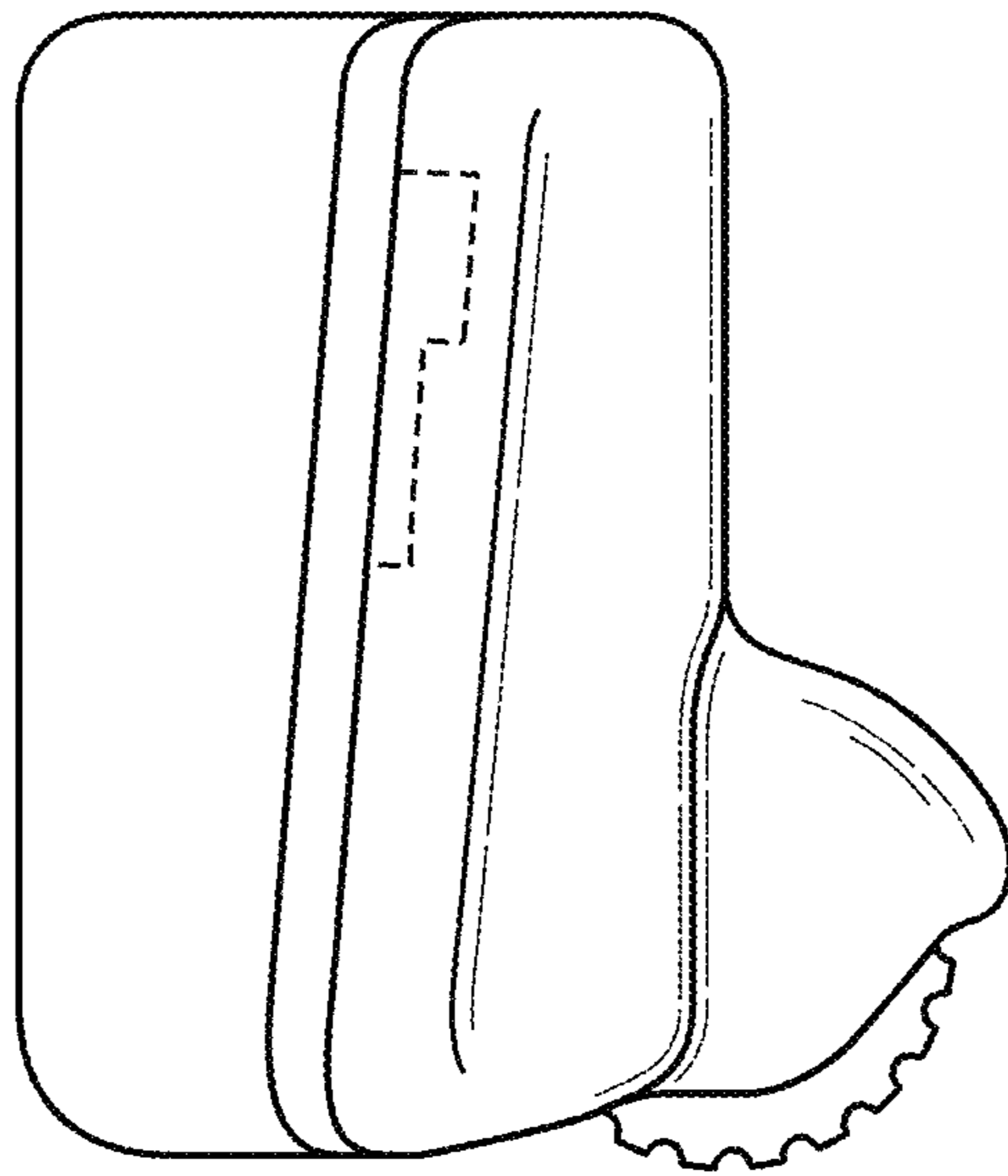


FIG. 8