



US00D681706S

(12) **United States Design Patent**
Savill, Jr.

(10) **Patent No.:** **US D681,706 S**

(45) **Date of Patent:** **** May 7, 2013**

(54) **NEUTRODE STACK**

(75) **Inventor:** **Robert F. Savill, Jr.**, Levittown, NY
(US)

(73) **Assignee:** **Sulzer Metco (US), Inc.**, Westbury, NY
(US)

(**) **Term:** **14 Years**

(21) **Appl. No.:** **29/382,223**

(22) **Filed:** **Dec. 30, 2010**

(51) **LOC (9) Cl.** **15-09**

(52) **U.S. Cl.**
USPC **D15/144**

(58) **Field of Classification Search** D15/144,
D15/144.1, 144.2; 121/121.47, 121.48, 121.5,
121/121.52; 156/345.35; 219/121.4-121.5,
219/121.57, 121.52

See application file for complete search history.

(56) **References Cited**

U.S. PATENT DOCUMENTS

4,948,485	A *	8/1990	Wallsten et al.	204/164
5,239,161	A *	8/1993	Lang	219/121.47
D369,648	S *	5/1996	Fowler	D23/213
5,747,767	A *	5/1998	Severance et al.	219/121.5
5,856,647	A *	1/1999	Luo	219/121.5
5,944,901	A *	8/1999	Landes et al.	118/723 ER
D446,231	S *	8/2001	Kuraoka et al.	D15/144
D497,373	S *	10/2004	Hewett et al.	D15/144
D506,764	S *	6/2005	Kuraoka et al.	D15/144
D524,336	S *	7/2006	Conway et al.	D15/144
D535,673	S *	1/2007	Conway et al.	D15/144

7,161,111	B2 *	1/2007	Schneider	219/121.4
7,455,892	B2 *	11/2008	Goodwin et al.	427/578
D582,950	S *	12/2008	Yamaguchi et al.	D15/144
7,678,429	B2 *	3/2010	Goodwin et al.	427/569
D652,437	S *	1/2012	Furujo et al.	D15/144
D653,270	S *	1/2012	Furujo et al.	D15/144
D654,939	S *	2/2012	Furujo et al.	D15/144
2007/0145022	A1 *	6/2007	Hewett et al.	219/121.48
2008/0251503	A1 *	10/2008	Noujaim	219/121.47
2009/0057277	A1 *	3/2009	Renault et al.	219/121.5
2009/0230095	A1 *	9/2009	Liebold et al.	219/121.5
2009/0314202	A1 *	12/2009	Zajchowski et al.	118/620
2010/0237050	A1 *	9/2010	Zehavi	219/121.47

* cited by examiner

Primary Examiner — Patricia Palasik

(74) *Attorney, Agent, or Firm* — Greenblum & Bernstein, P.L.C.

(57) **CLAIM**

I claim the ornamental design for a neutrode stack, as shown and described.

DESCRIPTION

FIG. 1 is a front end perspective view of an embodiment of the neutrode stack;

FIG. 2 is a rear end perspective view of the embodiment shown in FIG. 1;

FIG. 3 is a front end of the embodiment shown in FIG. 1;

FIG. 4 is a side view of the embodiment shown in FIG. 1; and,

FIG. 5 is a back view of the embodiment shown in FIG. 1.

The subject matter shown in dashed tines, and any surfaces of the design not shown, including interior surfaces, form no part of the claimed invention.

1 Claim, 5 Drawing Sheets

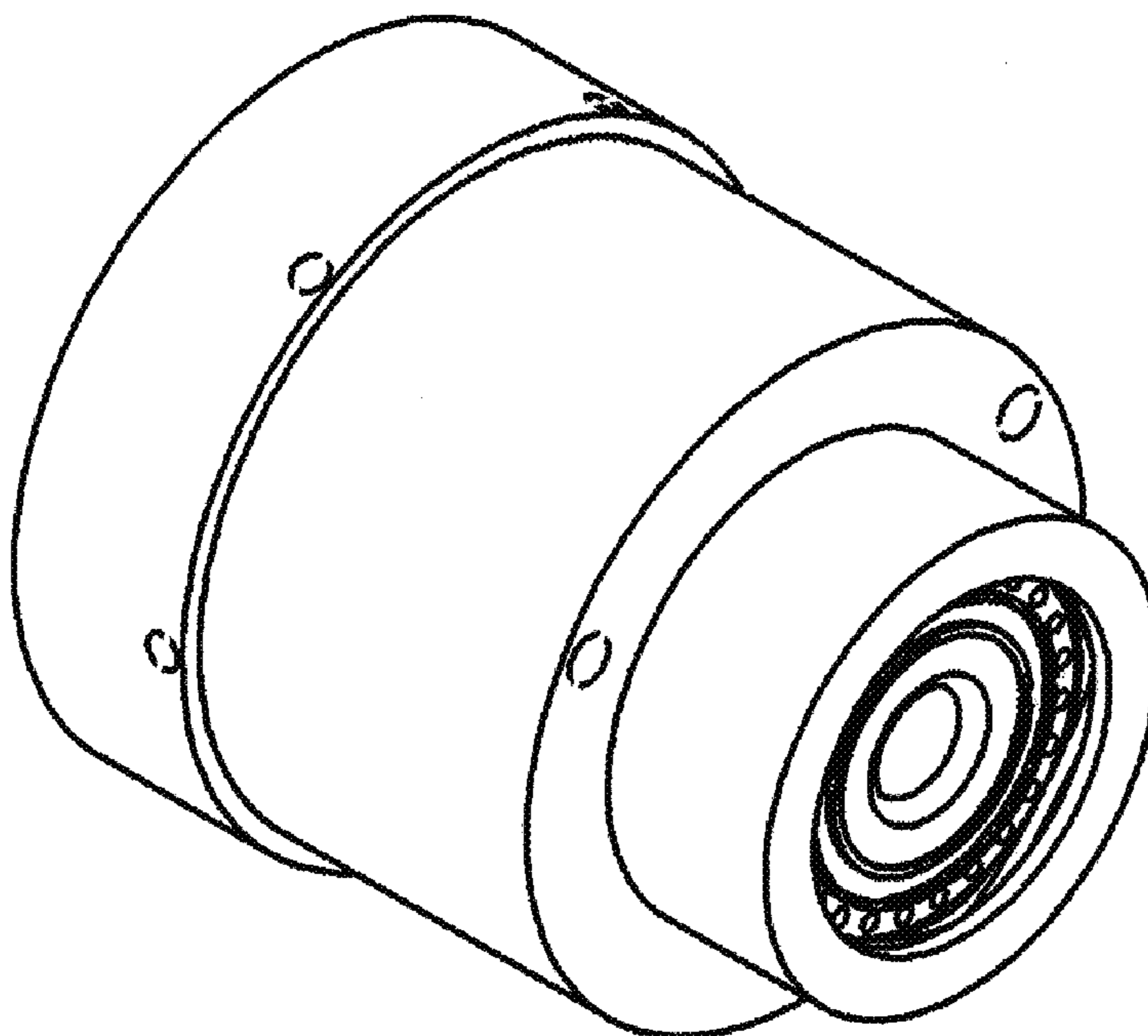
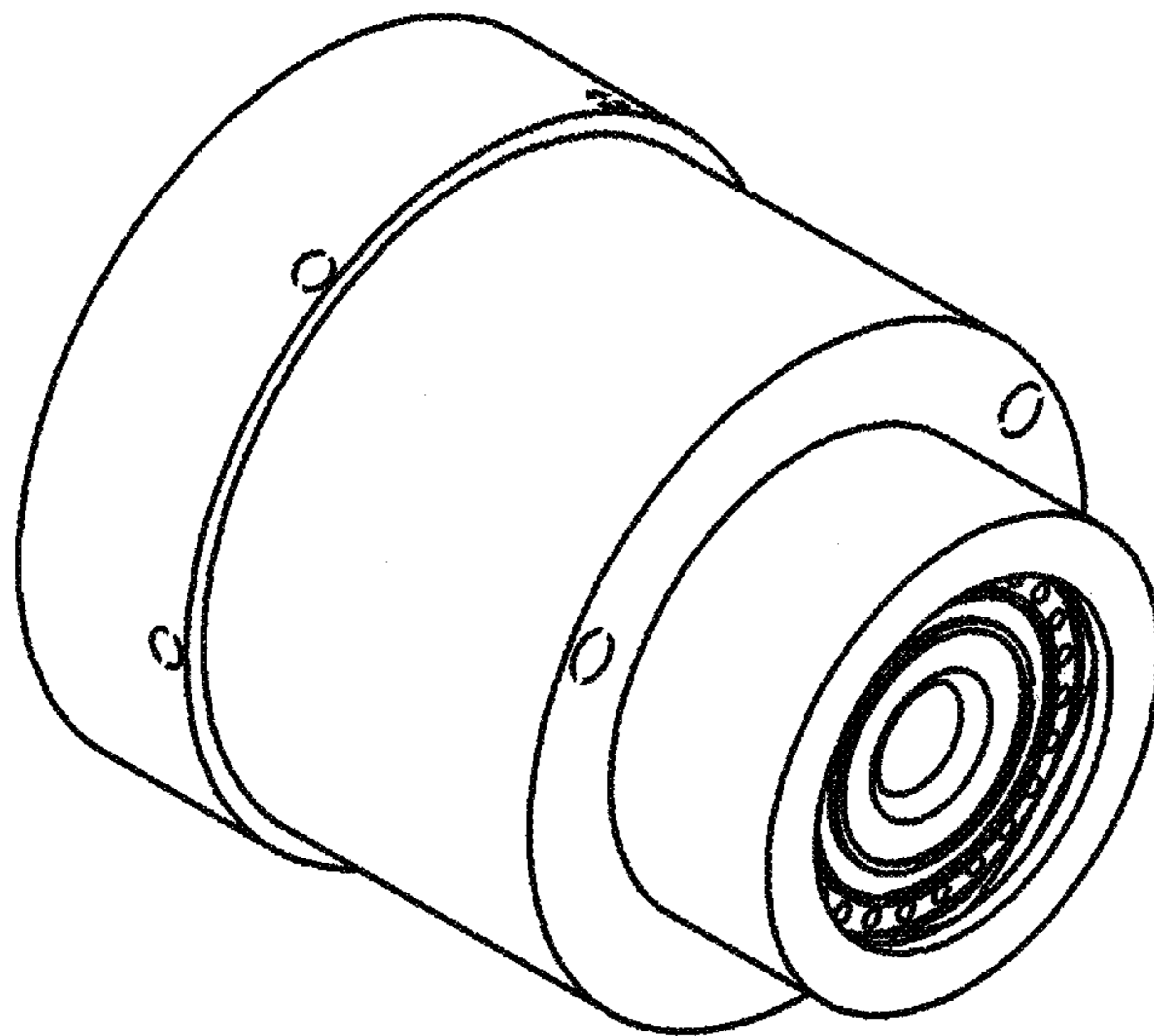


FIG. 1



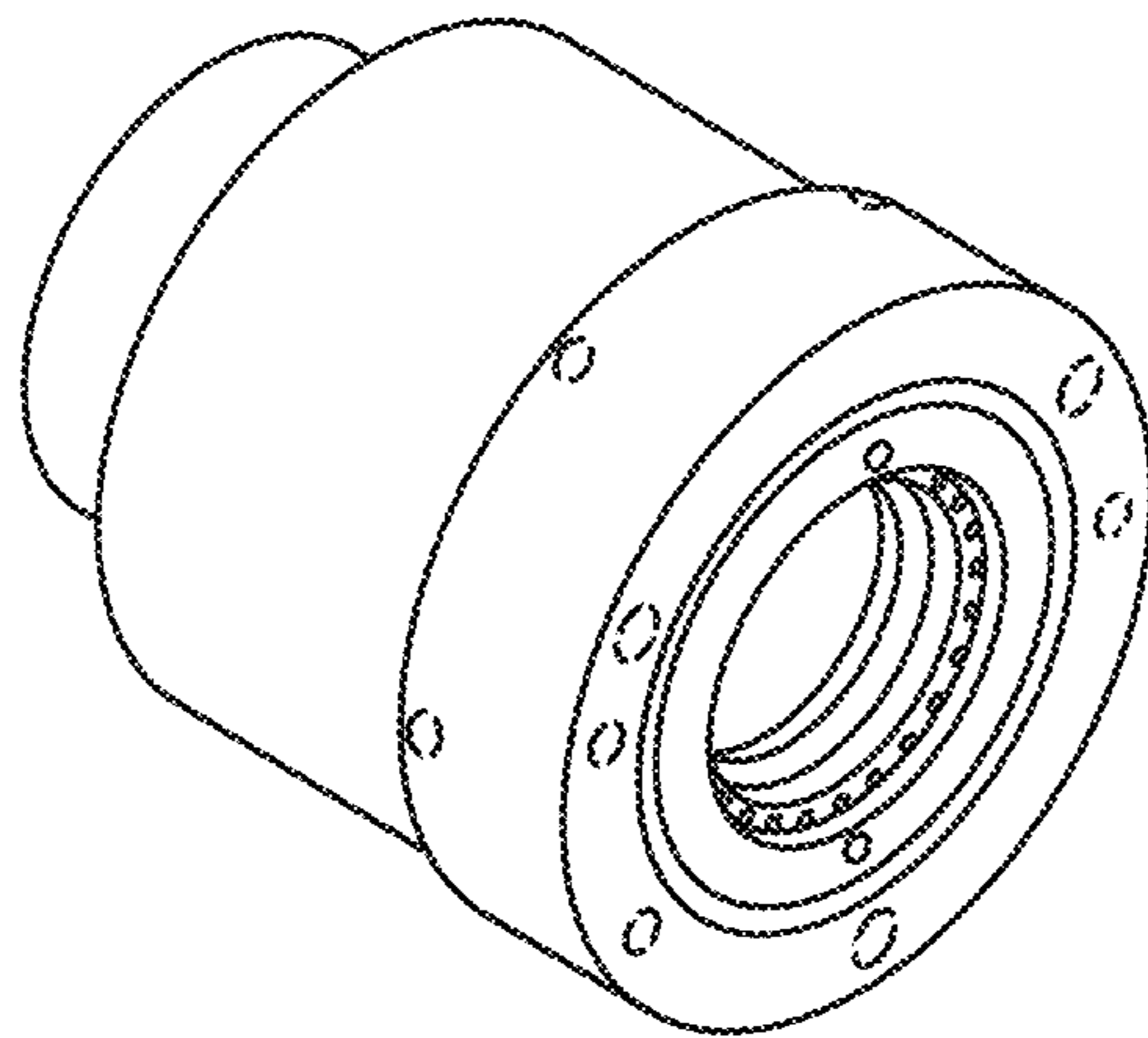


FIG. 2

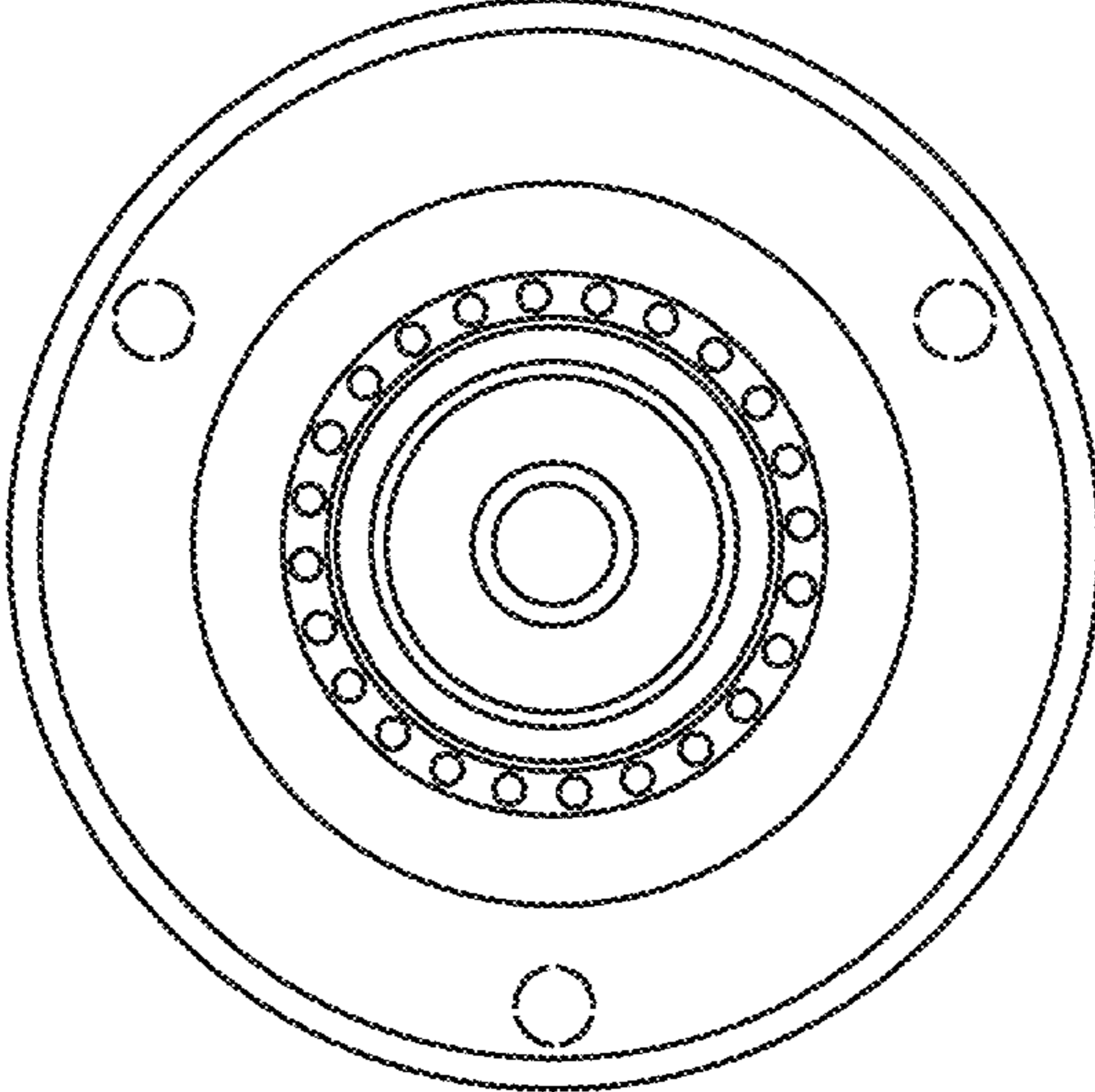


FIG. 3

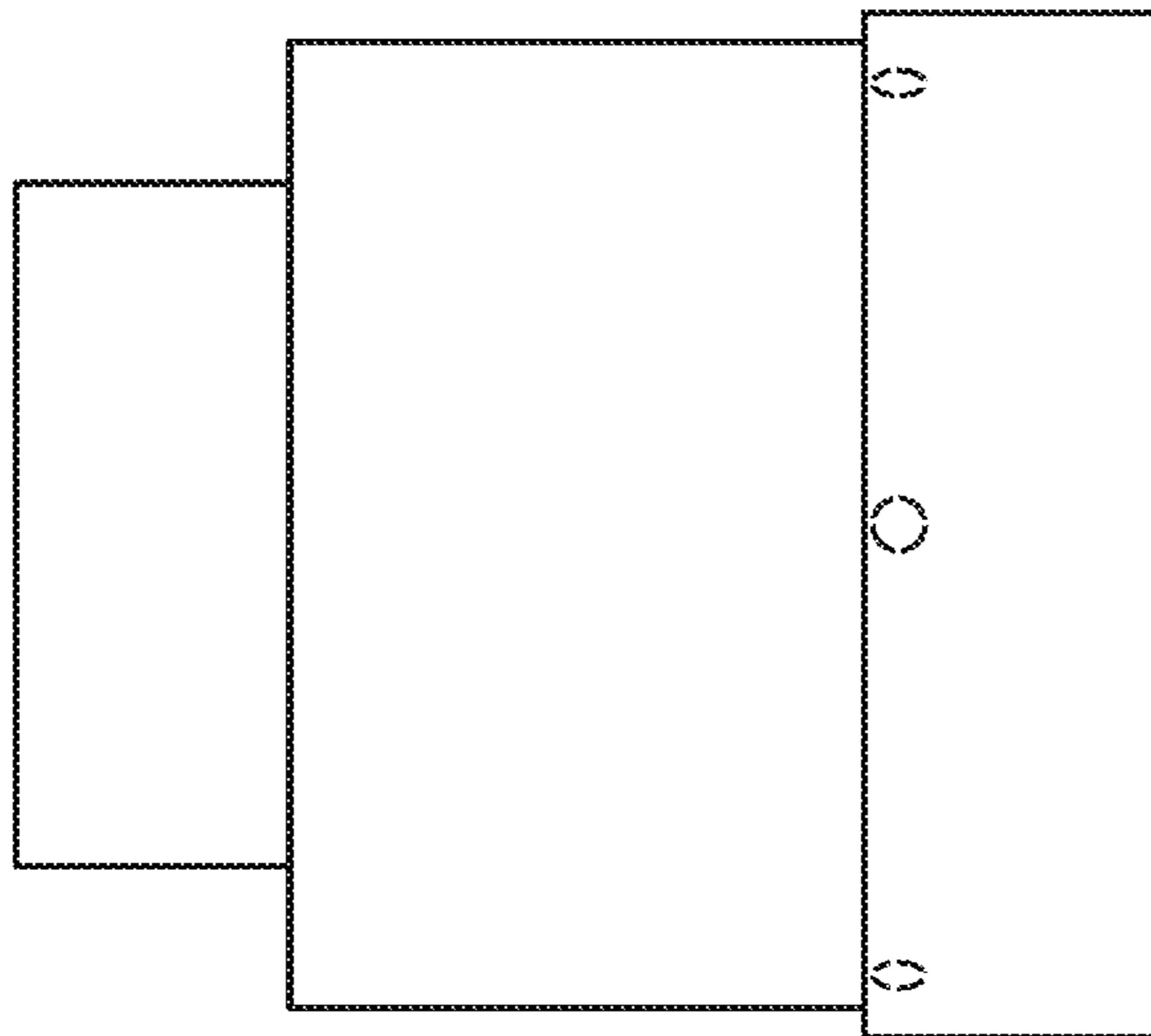


FIG. 4

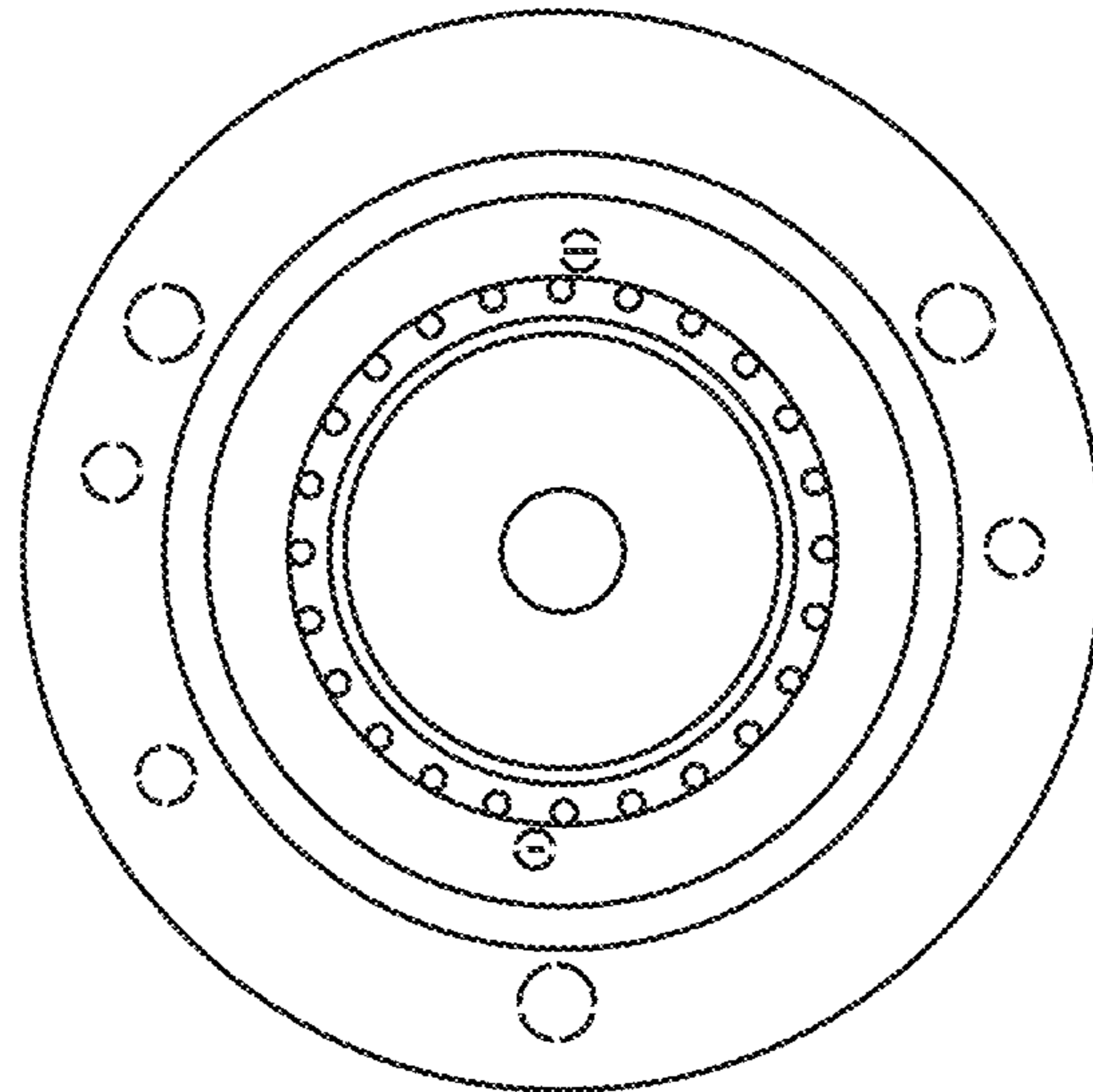


FIG. 5