



US00D681705S

(12) **United States Design Patent**
Skinner

(10) **Patent No.:** **US D681,705 S**

(45) **Date of Patent:** **** May 7, 2013**

- (54) **PORTION OF A CUTTING HEAD**
- (75) Inventor: **David B. Skinner**, Columiba, SC (US)
- (73) Assignee: **Shakespeare Company, LLC**,
Columbia, SC (US)
- (**) Term: **14 Years**
- (21) Appl. No.: **29/393,321**
- (22) Filed: **Jun. 2, 2011**
- (51) **LOC (9) Cl.** **15-09**
- (52) **U.S. Cl.**
USPC **D15/139**
- (58) **Field of Classification Search** D8/5-9,
D8/57, 61, 70, 71, 98, 99; D15/130, 138,
D15/139, 140; 7/135; 30/145, 206, 215,
30/228, 232, 247, 249, 252, 254, 258, 262,
30/1; 82/130, 131; 407/33-52, 77, 107-120
See application file for complete search history.

- D465,229 S * 11/2002 Hole et al. D15/130
- D479,961 S * 9/2003 Iacona D8/8
- D496,840 S * 10/2004 Iacona D8/8

* cited by examiner

Primary Examiner — Patricia Palasik

(74) *Attorney, Agent, or Firm* — Michael J. Corrigan

(57) **CLAIM**

The ornamental design for the portion of the cutting head, as shown and described.

DESCRIPTION

FIG. 1 is a front perspective view of the portion of the cutting head;

FIG. 2 is a top view thereof;

FIG. 3 is a left side view thereof;

FIG. 4 is bottom view thereof;

FIG. 5 is a right side view thereof;

FIG. 6 is a front view thereof; and,

FIG. 7 is a rear view thereof.

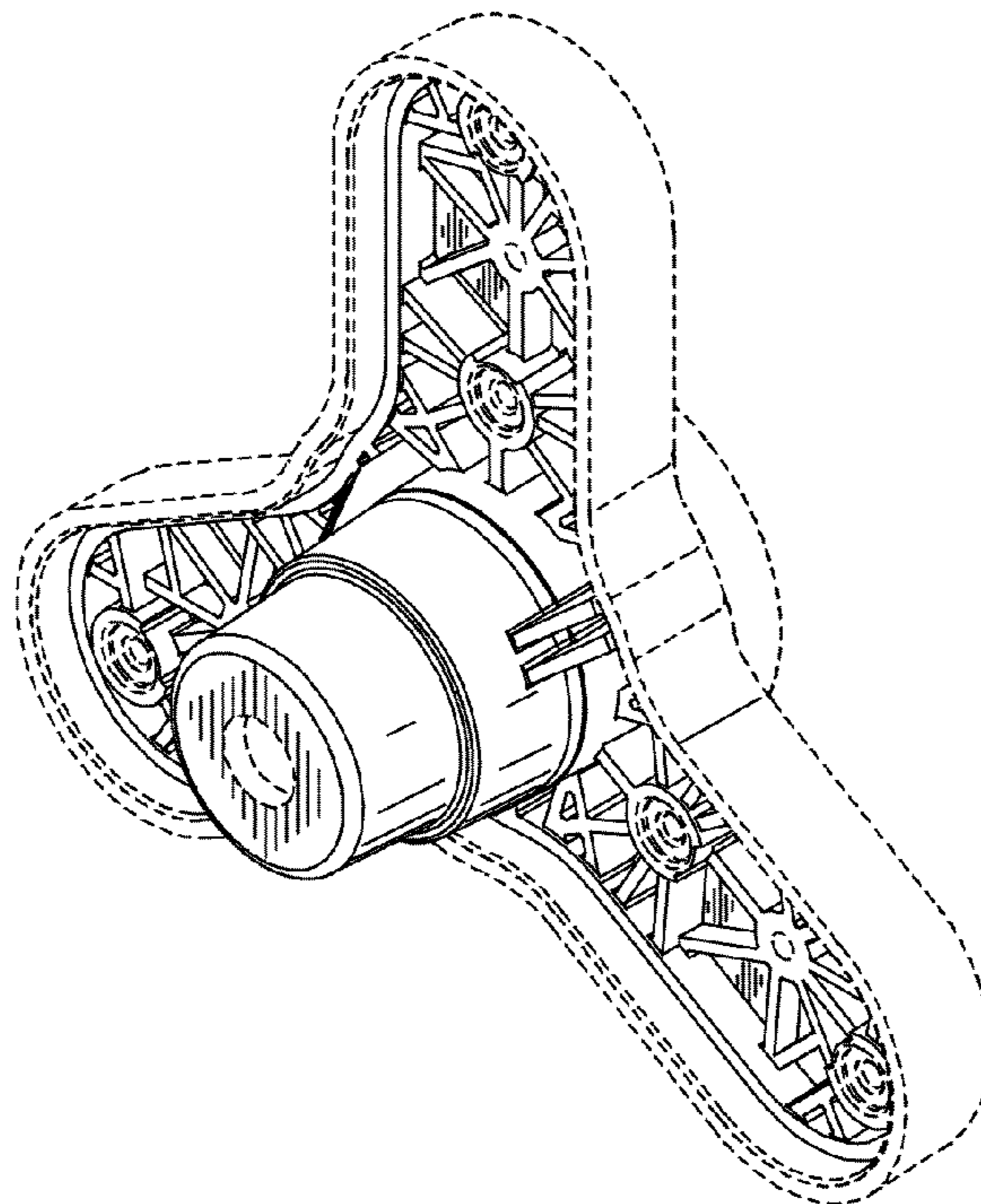
The portion shown in dashed lines is shown for illustrative purposes only and forms no part of the claimed design.

(56) **References Cited**

U.S. PATENT DOCUMENTS

- D399,104 S * 10/1998 Sutliff et al. D8/8
- D402,674 S * 12/1998 McLeod et al. D15/139
- D437,332 S * 2/2001 Remue et al. D15/141

1 Claim, 3 Drawing Sheets



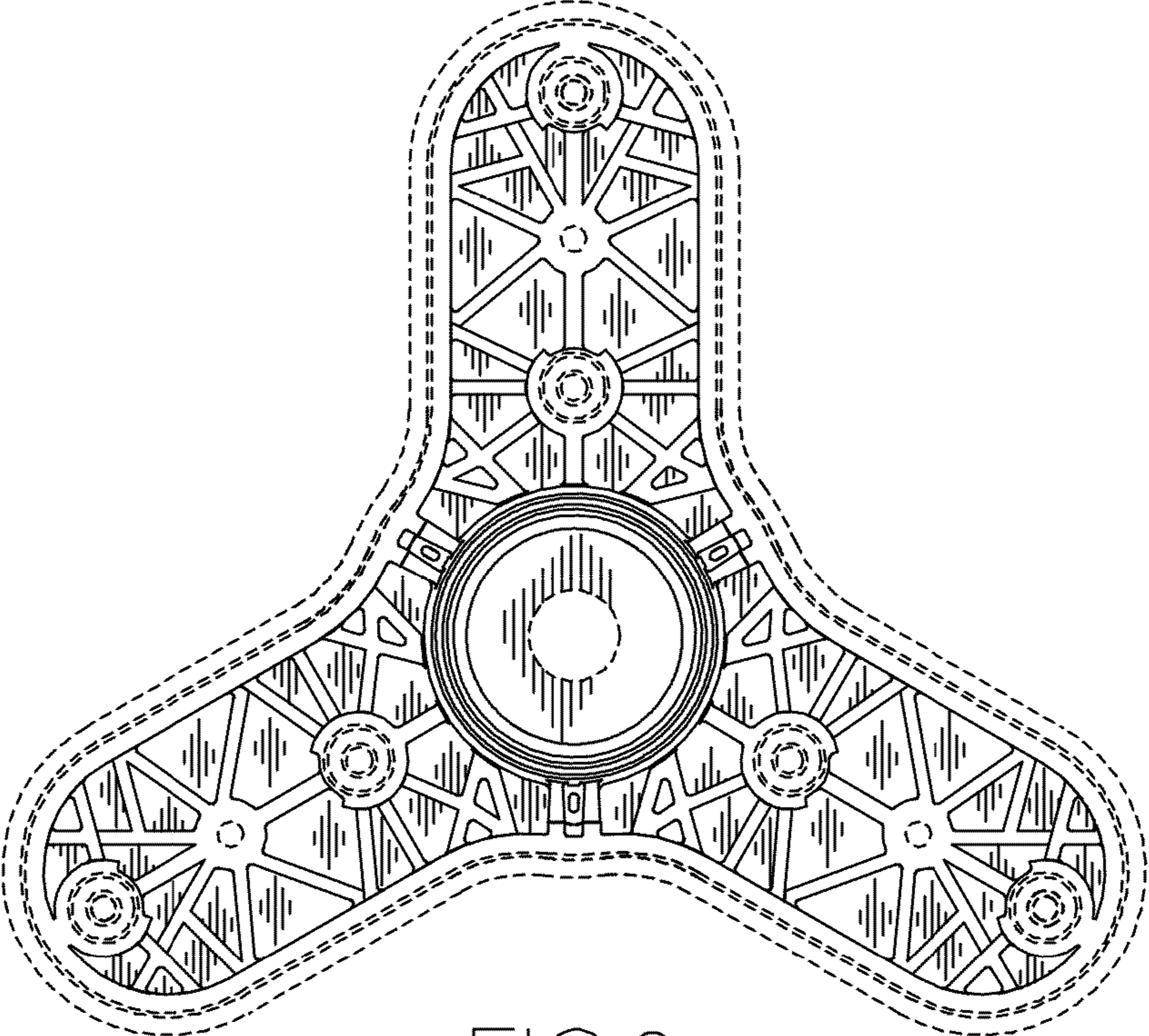
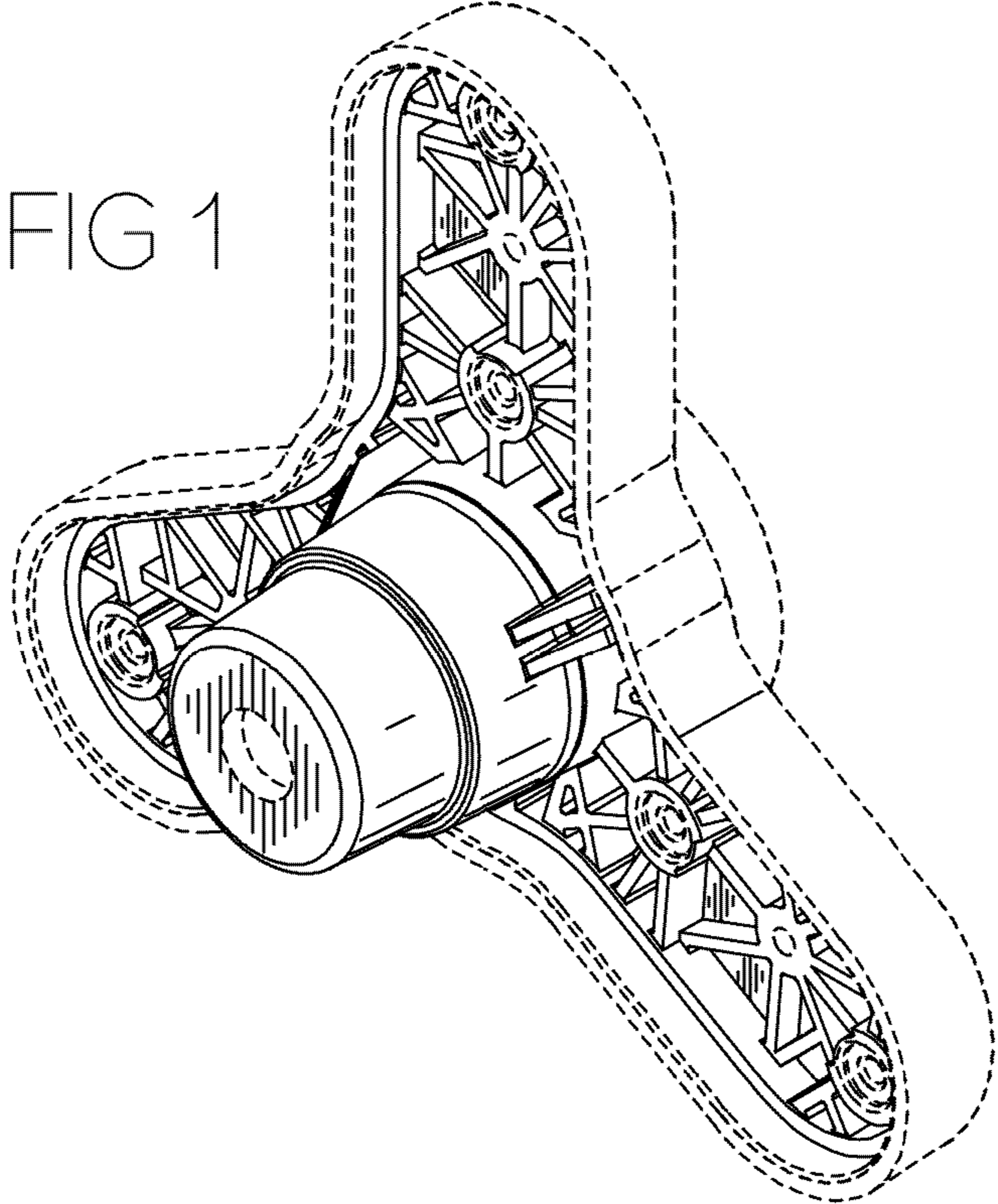


FIG 2

FIG 3

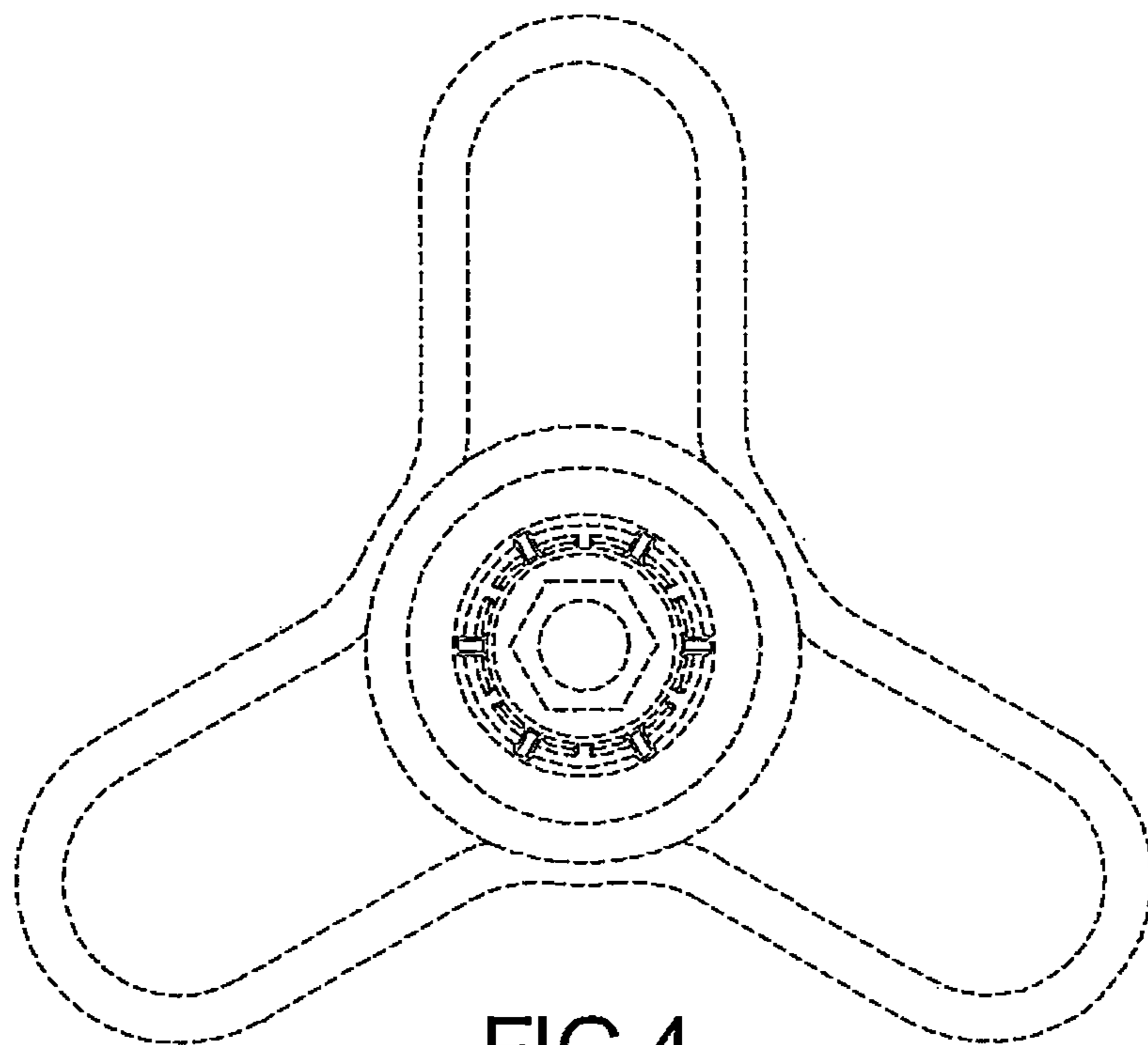
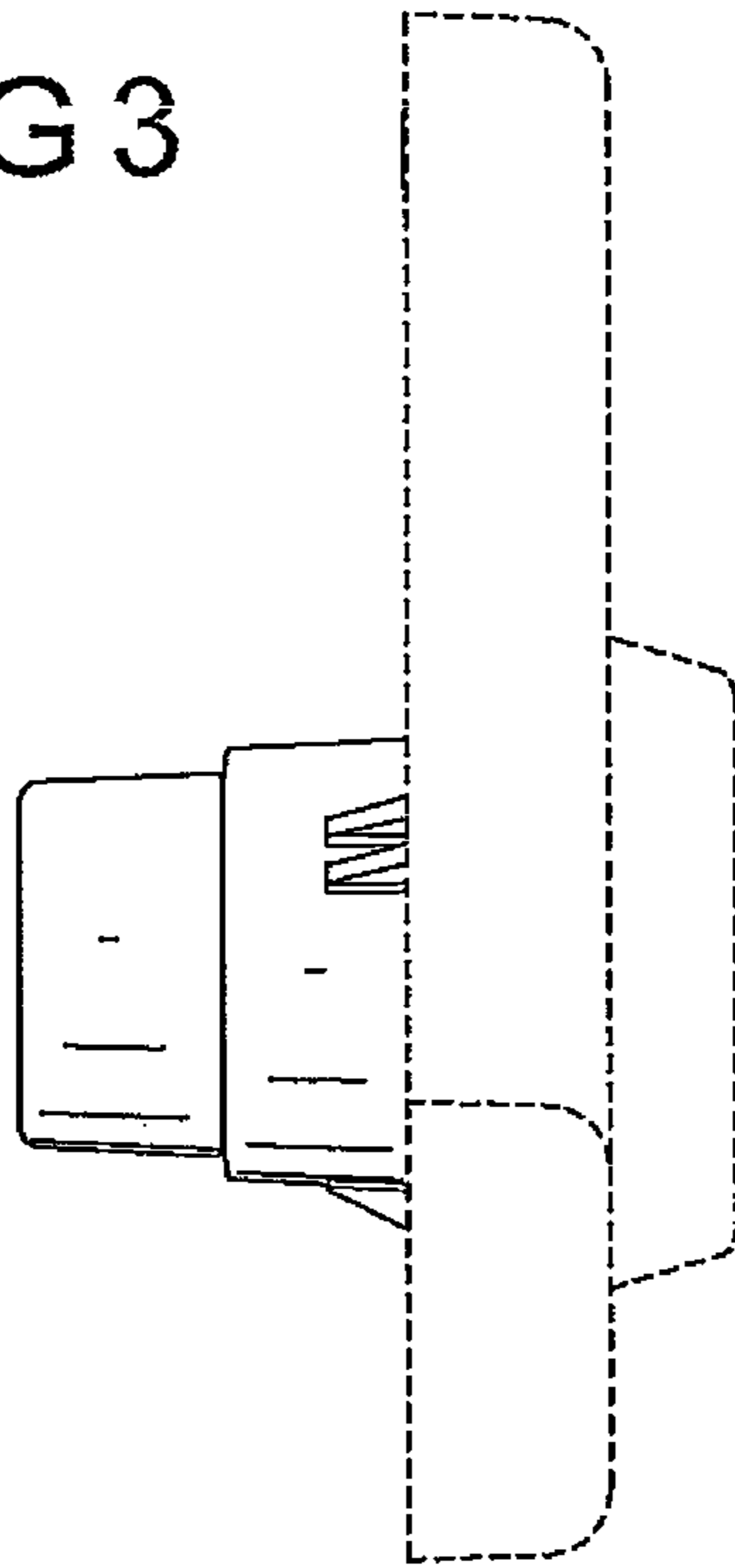


FIG 4

