



US00D681704S

(12) **United States Design Patent**
Stoyanov

(10) **Patent No.:** **US D681,704 S**

(45) **Date of Patent:** **** May 7, 2013**

(54) **DECORATIVE LIQUID METAL DEGASSING
IMPELLER**

(76) Inventor: **Peio Todorov Stoyanov**, Woodland
Hills, CA (US)

(**) Term: **14 Years**

(21) Appl. No.: **29/373,853**

(22) Filed: **May 28, 2011**

(51) **LOC (9) Cl.** **15-09**

(52) **U.S. Cl.**
USPC **D15/138**

(58) **Field of Classification Search** D15/138,
D15/144, 144.1, 144.2; 15/143; 55/409;
96/196, 213; 148/437, 688, 689, 691, 692;
162/52; 266/217; 366/294; 415/62, 68;
420/550, 552

See application file for complete search history.

(56) **References Cited**

U.S. PATENT DOCUMENTS

4,087,080	A *	5/1978	Steinegger et al.	266/88
4,159,104	A *	6/1979	Dantzig et al.	266/215
4,844,425	A *	7/1989	Piras et al.	266/215
4,976,586	A *	12/1990	Richter et al.	415/143
5,143,357	A *	9/1992	Gilbert et al.	266/235
5,259,880	A *	11/1993	Fujita et al.	118/317
5,310,412	A *	5/1994	Gilbert et al.	75/571
5,346,528	A *	9/1994	Takashima et al.	75/10.15

D382,887	S *	8/1997	Hollar et al.	D15/139
5,902,546	A *	5/1999	Kawasetsu et al.	420/528
D454,143	S *	3/2002	Åsberg	D15/139
D525,995	S *	8/2006	Bjork et al.	D15/139
2008/0296812	A1 *	12/2008	Jung et al.	266/215
2009/0229415	A1 *	9/2009	Frank et al.	75/680
2010/0052227	A1 *	3/2010	Neff et al.	266/217

* cited by examiner

Primary Examiner — Patricia Palasik

(74) *Attorney, Agent, or Firm* — Jack Jmaev

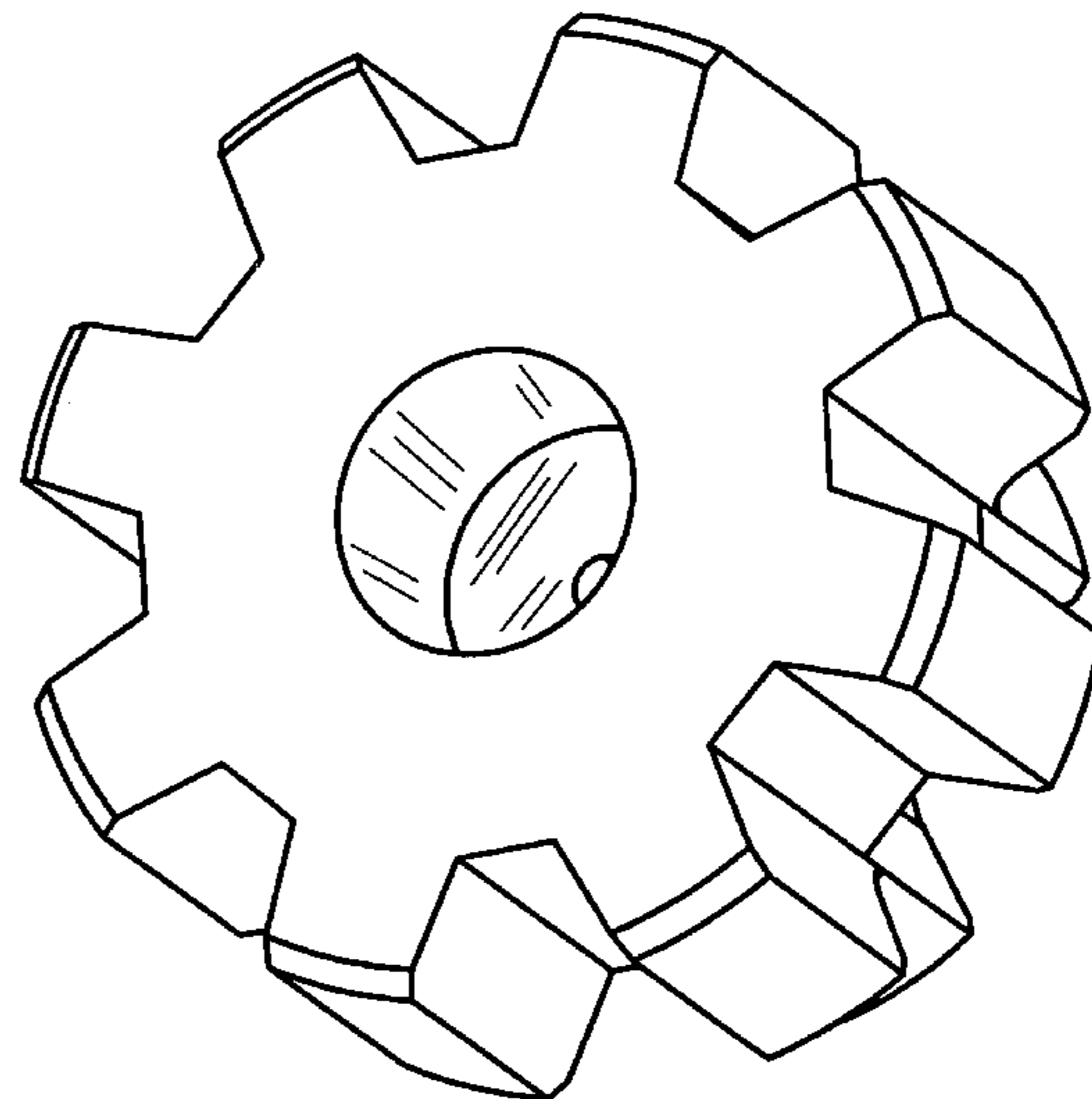
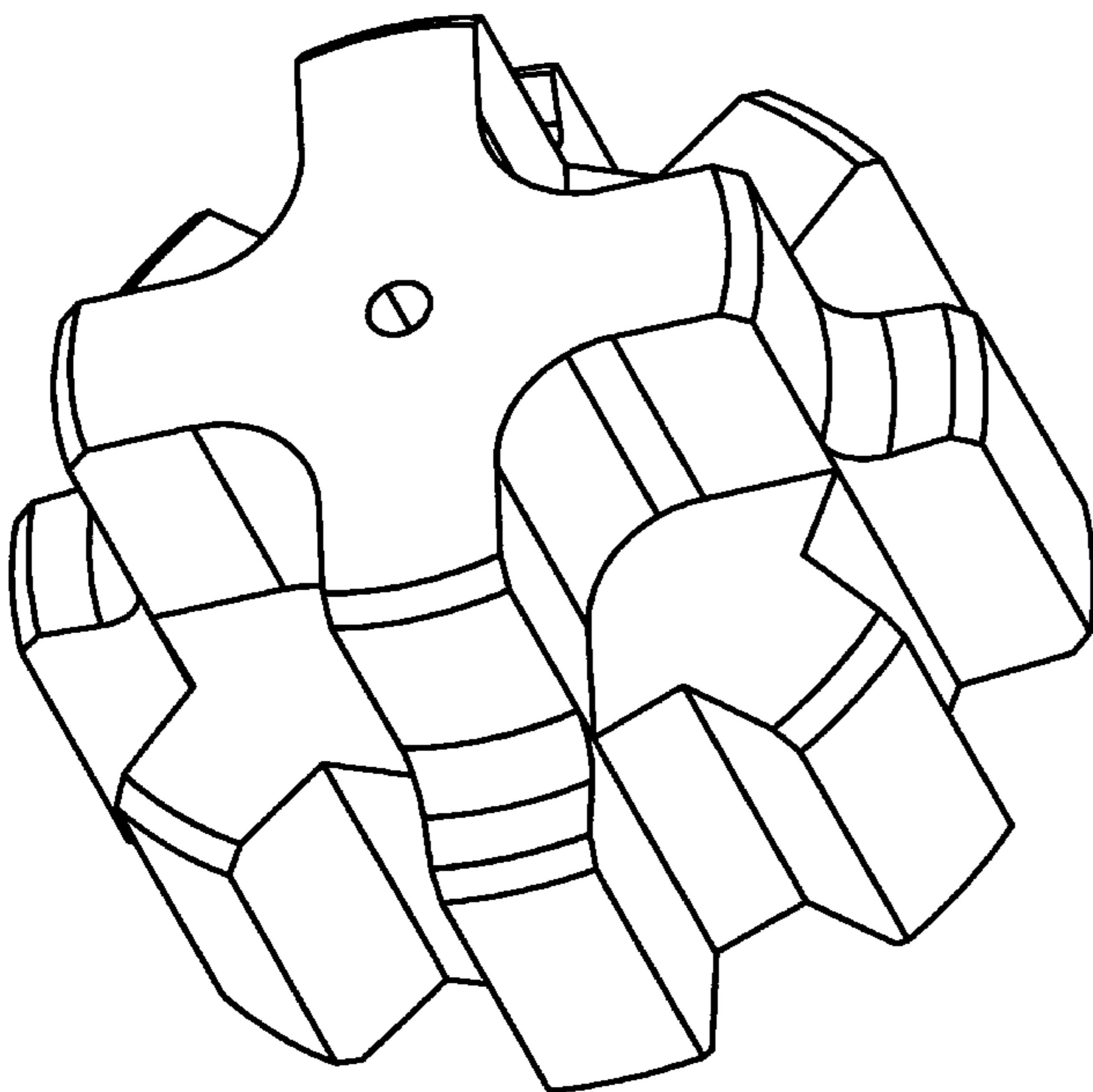
(57) **CLAIM**

I claim the ornamental design for a decorative liquid metal degassing impeller, as shown and described.

DESCRIPTION

FIG. 1, which is a front isometric view of a decorative liquid metal degassing impeller as claimed;
 FIG. 2, which is a front top view of a decorative liquid metal degassing impeller as claimed;
 FIG. 3, which is a back isometric view of a decorative liquid metal degassing impeller as claimed;
 FIG. 4, which is a back top view of a decorative liquid metal degassing impeller as claimed;
 FIG. 5, which is a side elevation view of a decorative liquid metal degassing impeller as claimed; and,
 FIG. 6, which is a side elevation view of a decorative liquid metal degassing impeller as claimed and which is rotated by 22.5 degrees from the view presented in FIG. 5.

1 Claim, 6 Drawing Sheets



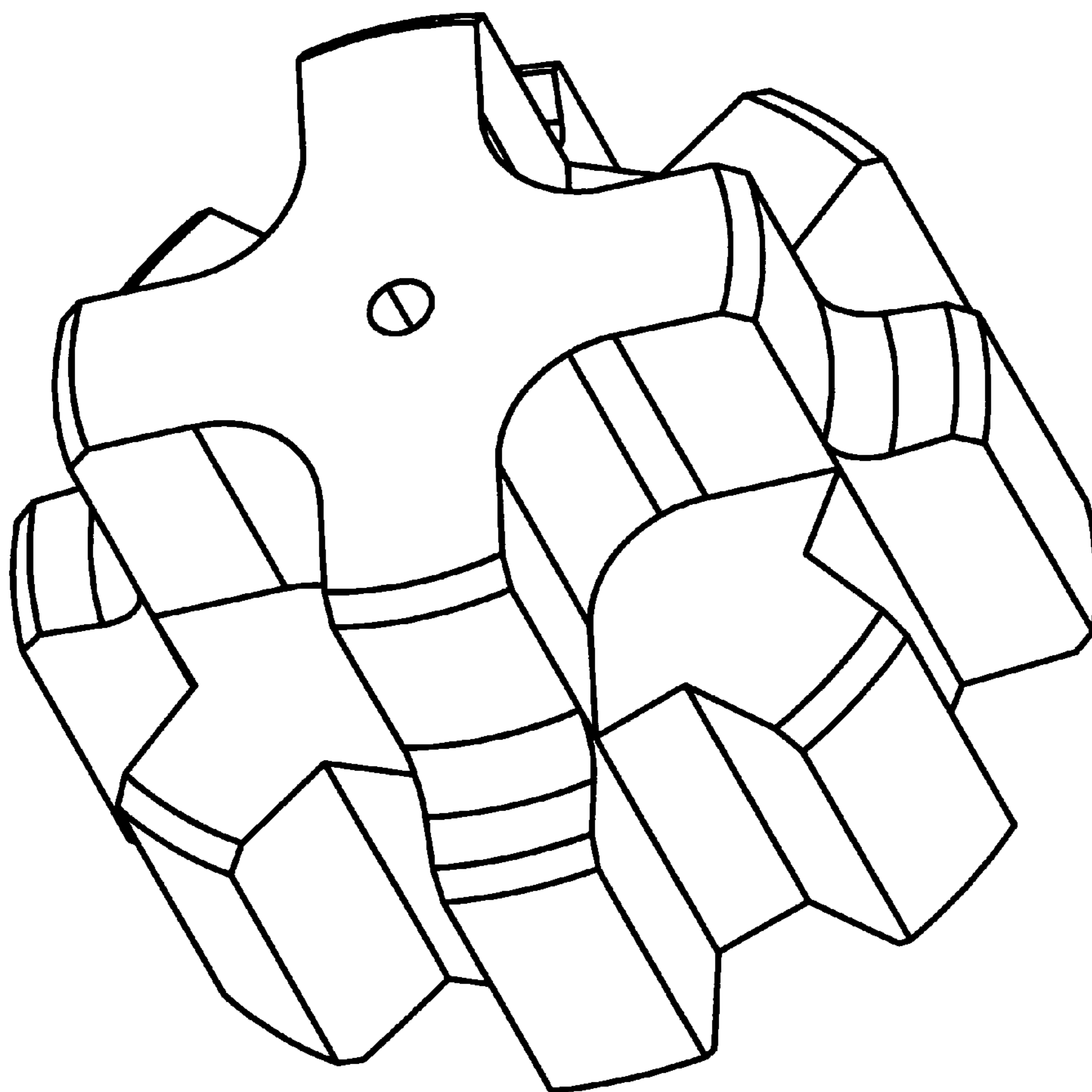


FIG. 1

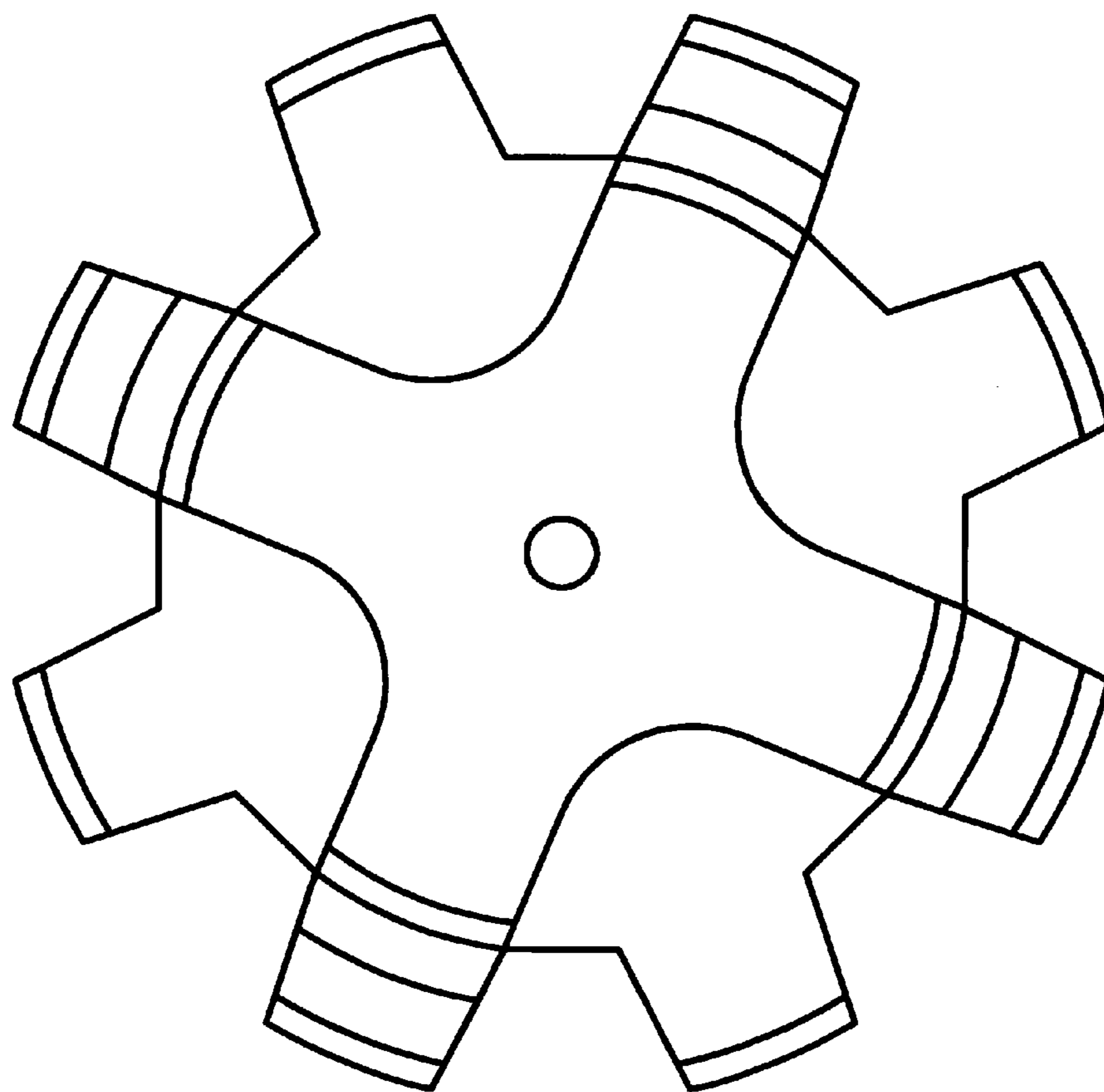


FIG. 2

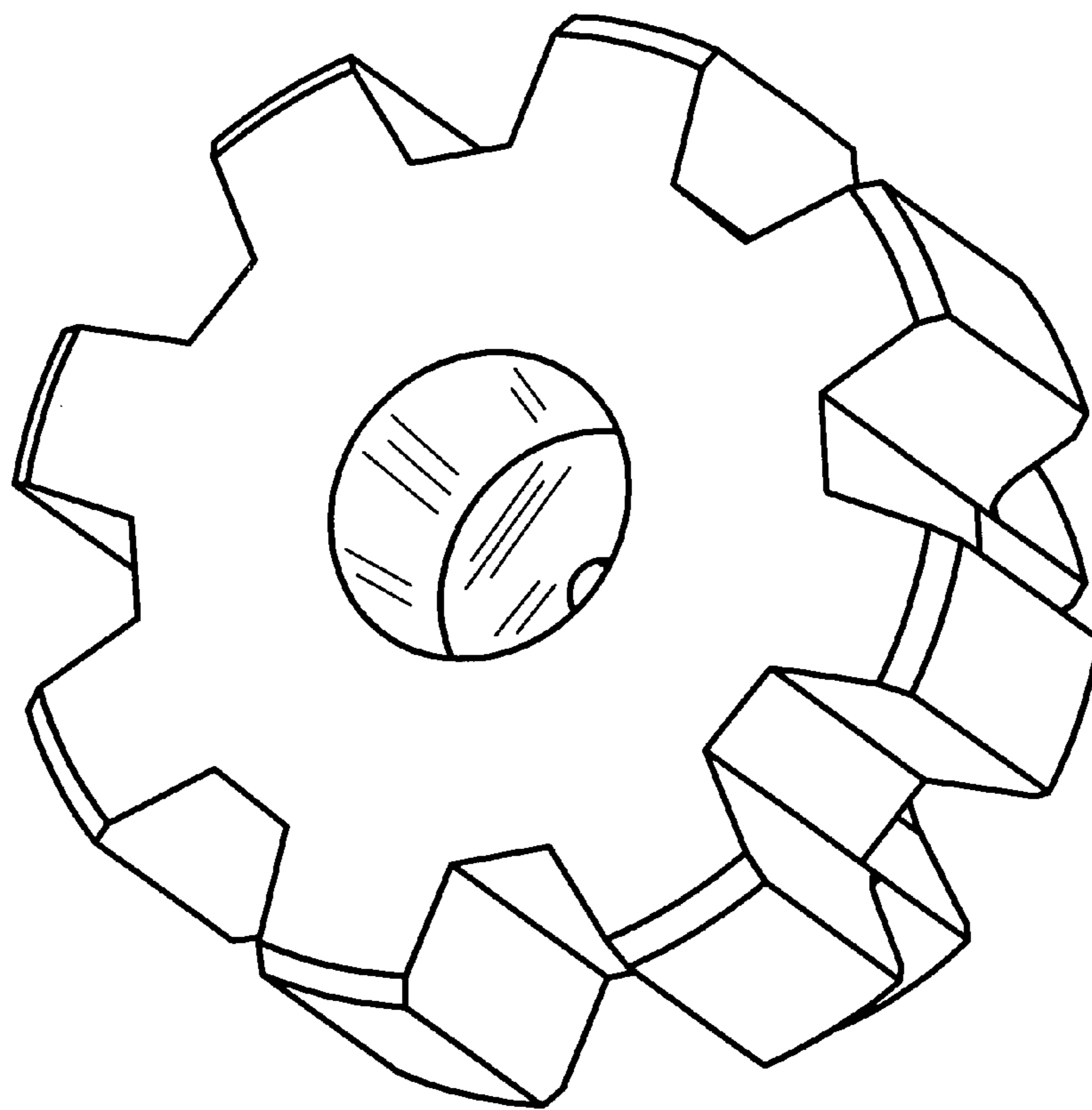


FIG. 3

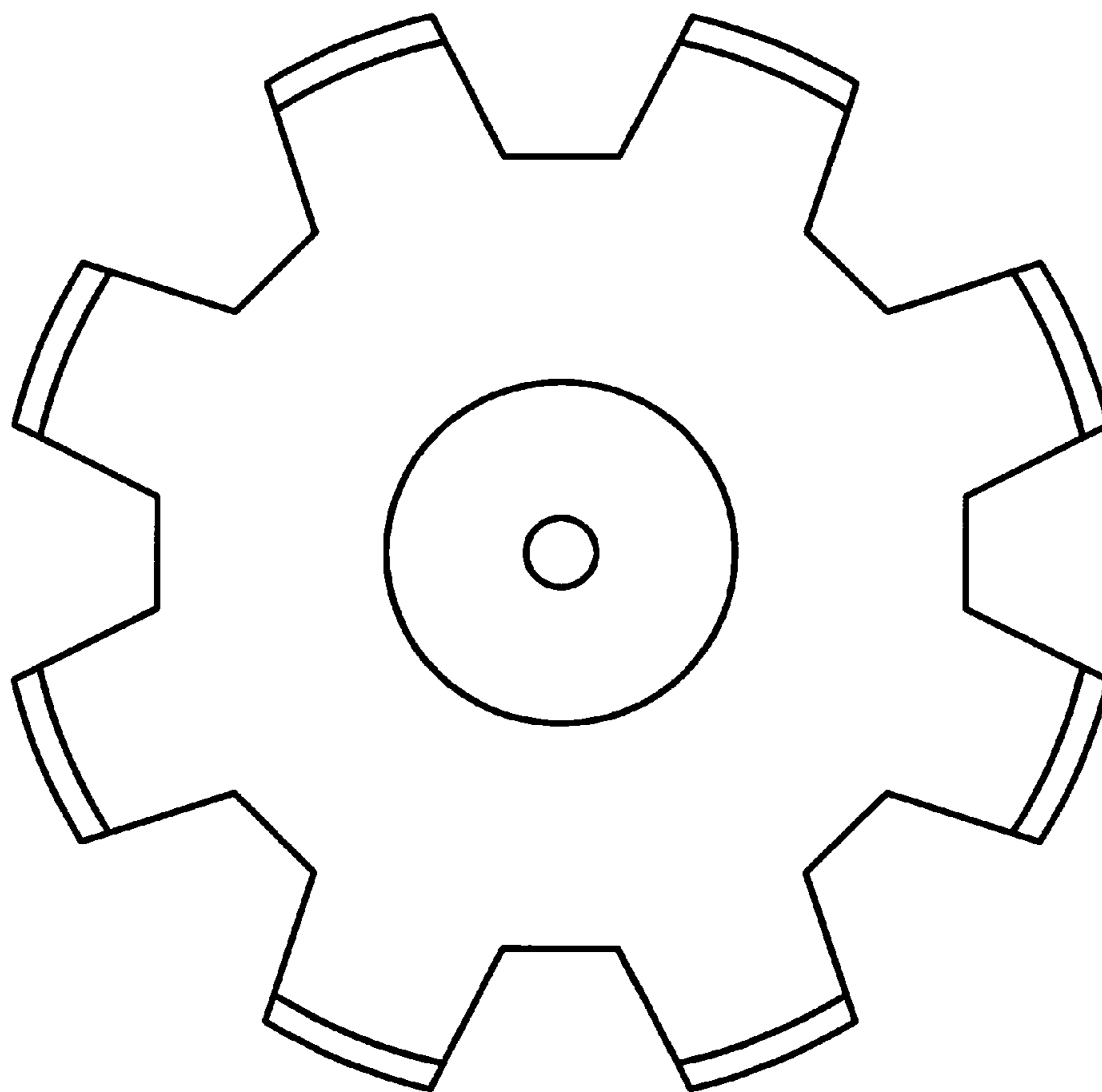


FIG. 4

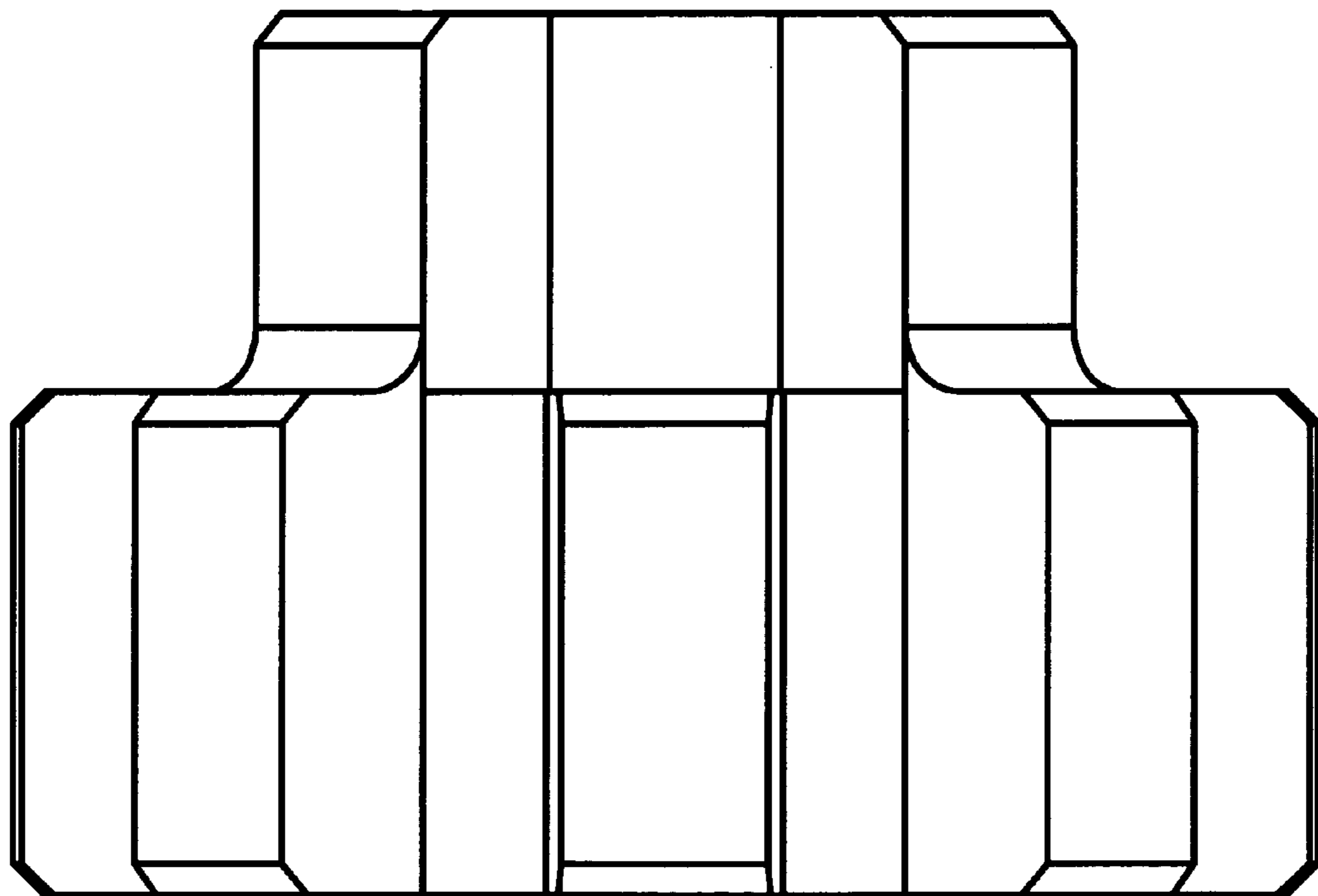


FIG. 5

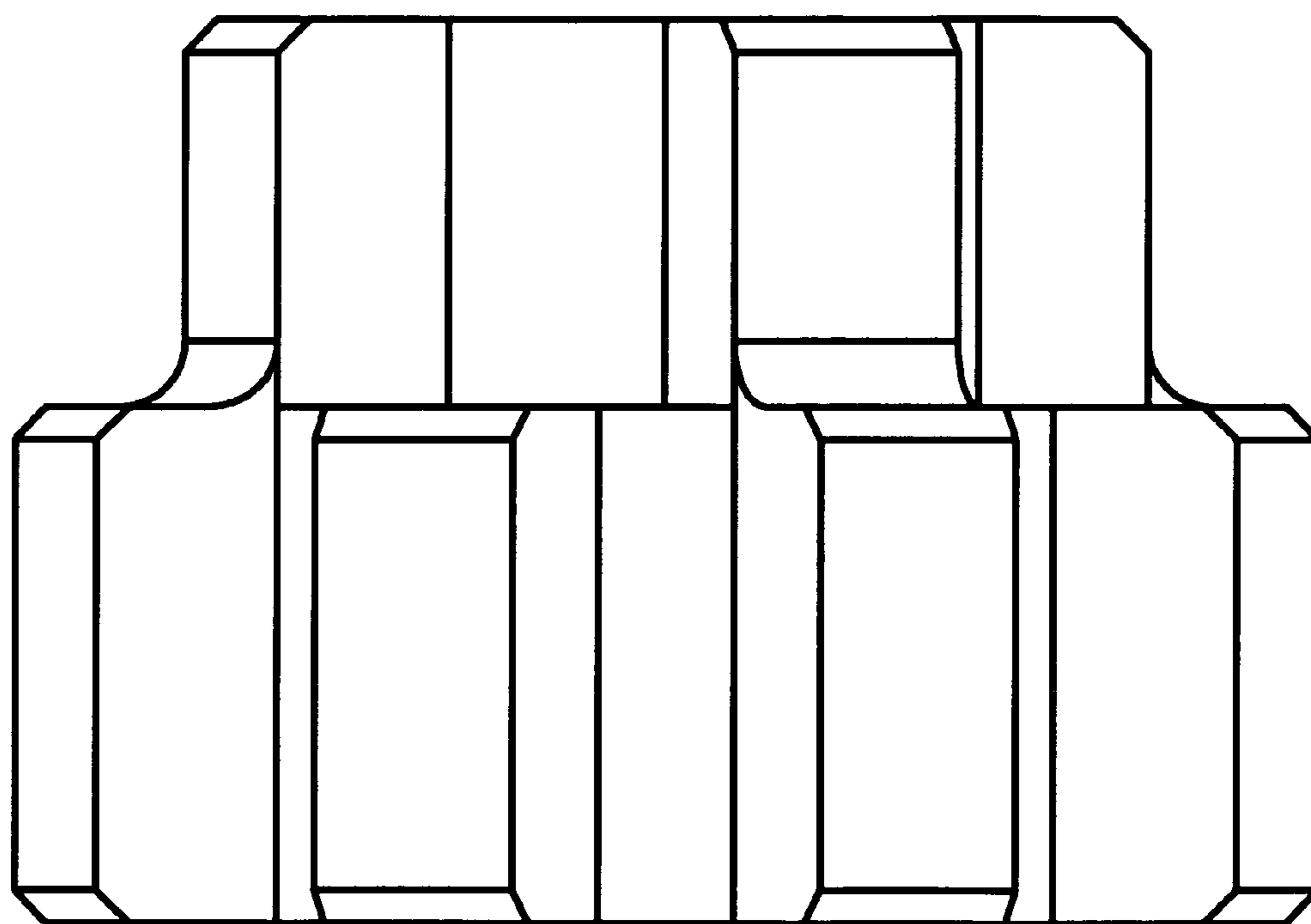


FIG. 6