



US00D681703S

(12) **United States Design Patent**
Miller et al.

(10) **Patent No.:** **US D681,703 S**

(45) **Date of Patent:** **** May 7, 2013**

(54) **MOLD FOR ARTIFICIAL FISHING BAITS**

(76) Inventors: **Robert P Miller**, Holdenville, OK (US);
Richard E Parks, Seminole, OK (US)

(**) Term: **14 Years**

(21) Appl. No.: **29/413,354**

(22) Filed: **Feb. 14, 2012**

(51) **LOC (9) Cl.** **15-09**

(52) **U.S. Cl.**
USPC **D15/136**

(58) **Field of Classification Search** D15/135,
D15/136, 137; 9/597; 72/283, 370.01, 370.17;
138/177; 164/132; 249/118-134, 153, 160,
249/175, 177, 203; 264/259, 299, 313, 330,
264/334; 425/117, 440, 515
See application file for complete search history.

(56) **References Cited**

U.S. PATENT DOCUMENTS

4,093,175	A *	6/1978	Putzer et al.	249/153
5,067,887	A *	11/1991	Speer et al.	425/256
5,957,191	A *	9/1999	Okada et al.	164/132
D428,901	S *	8/2000	Taylor et al.	D15/135

6,337,044	B1 *	1/2002	Wang et al.	264/313
D480,404	S *	10/2003	Hudson et al.	D15/136
D482,050	S *	11/2003	Graham	D15/136
D507,624	S *	7/2005	Shastid	D22/144
D580,461	S *	11/2008	Schreck	D15/136
7,972,129	B2 *	7/2011	O'Donoghue	425/388
D645,887	S *	9/2011	Schlichting	D15/135
D664,235	S *	7/2012	Oliver	D22/126

* cited by examiner

Primary Examiner — Patricia Palasik

(74) *Attorney, Agent, or Firm* — Edward L. White

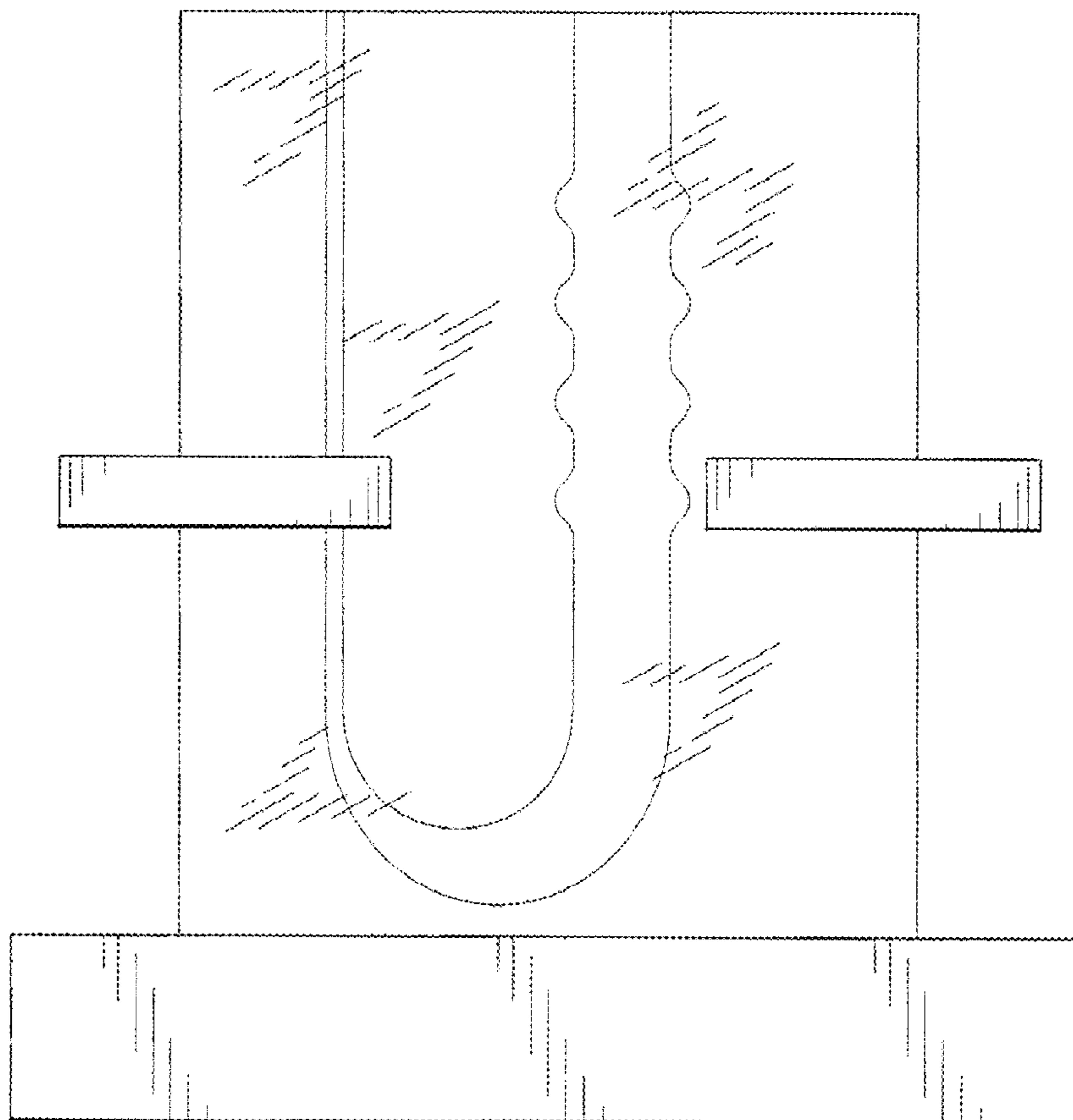
(57) **CLAIM**

The ornamental design for a mold for artificial fishing baits, as shown.

DESCRIPTION

FIG. 1 is a front view.
FIG. 2 is a back view.
FIG. 3 is a right side view.
FIG. 4 is a left side view.
FIG. 5 is a top view.
FIG. 6 is a bottom view; and,
FIG. 7 is a perspective view.

1 Claim, 3 Drawing Sheets



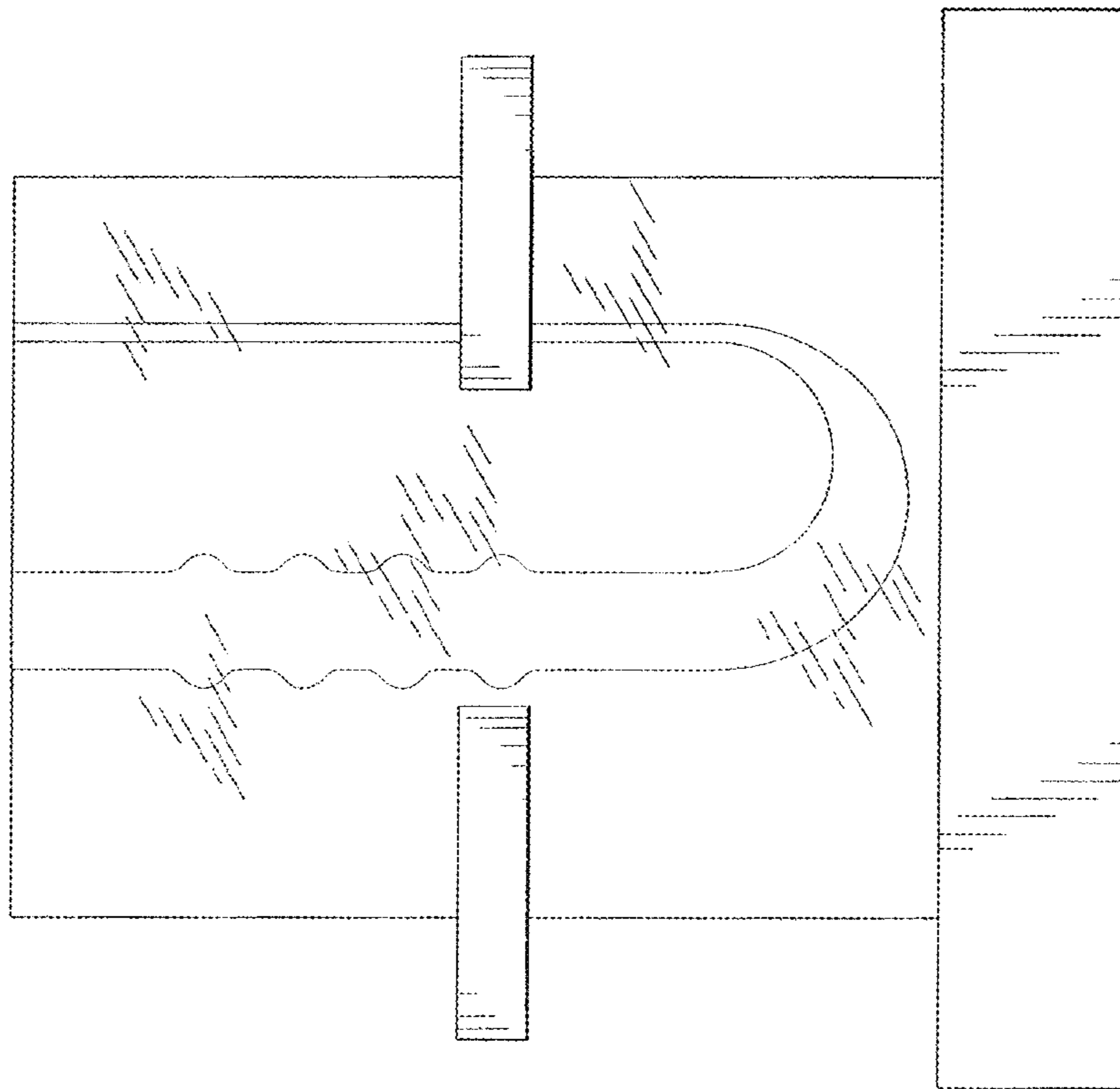


FIG. 1

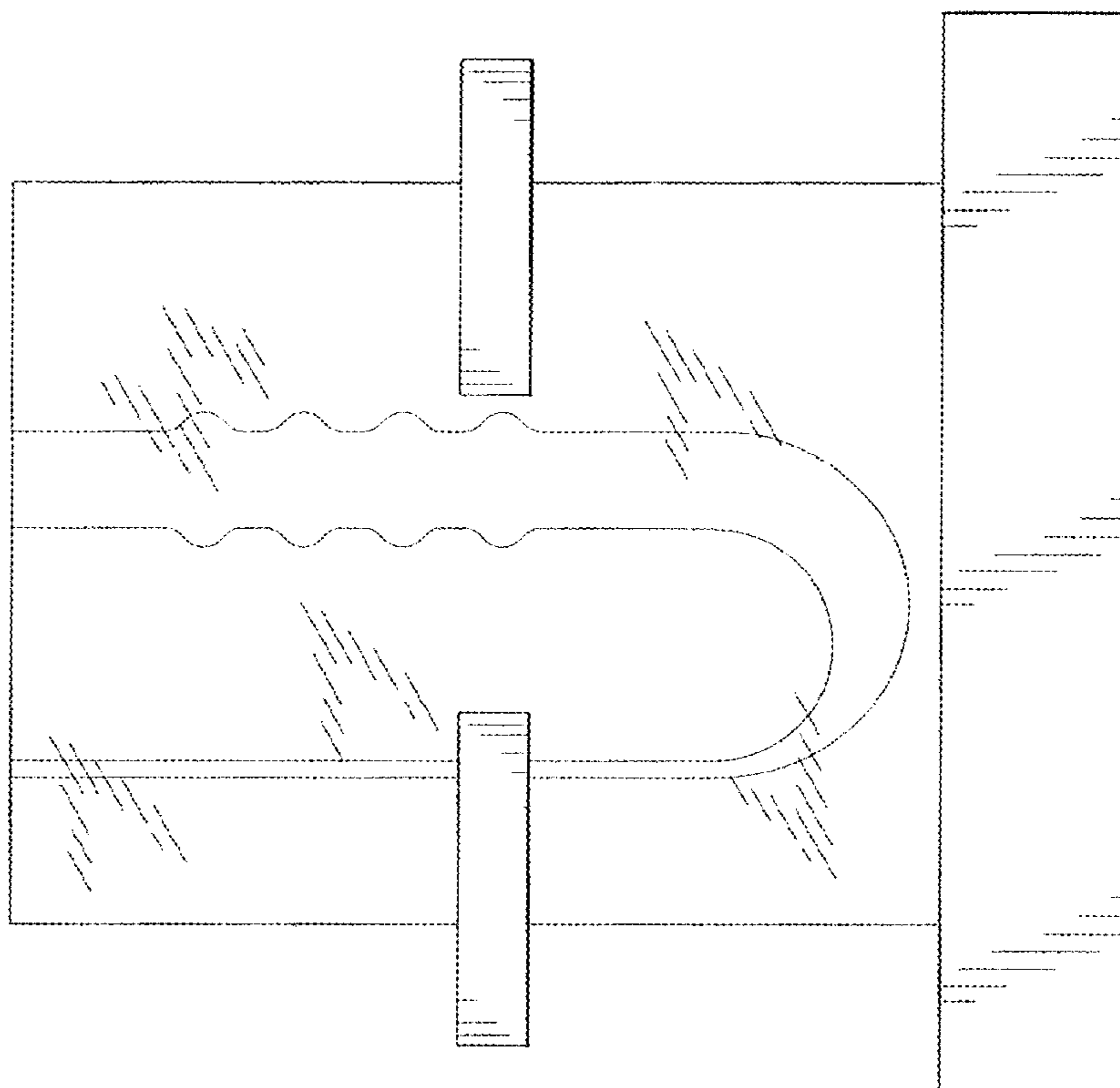
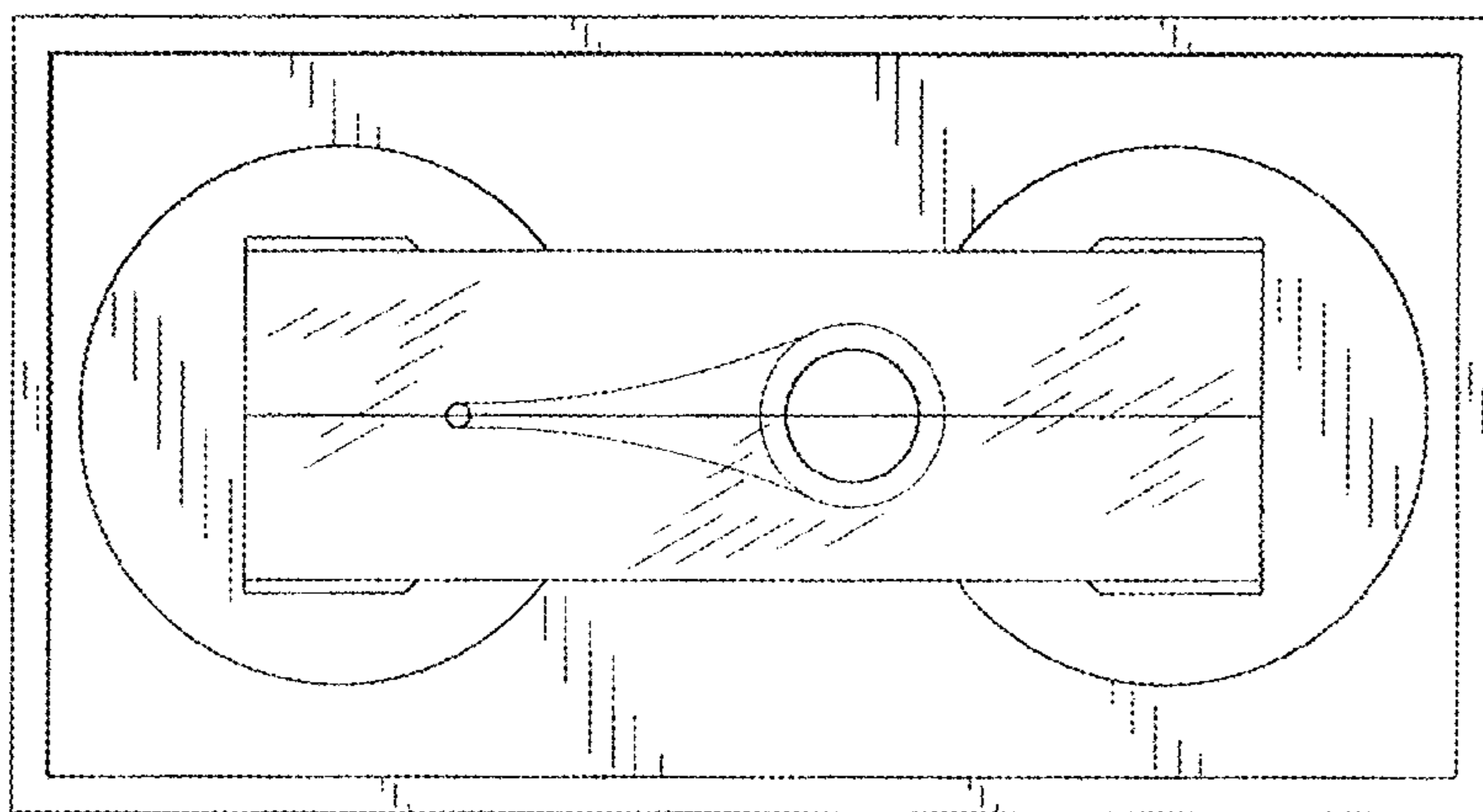
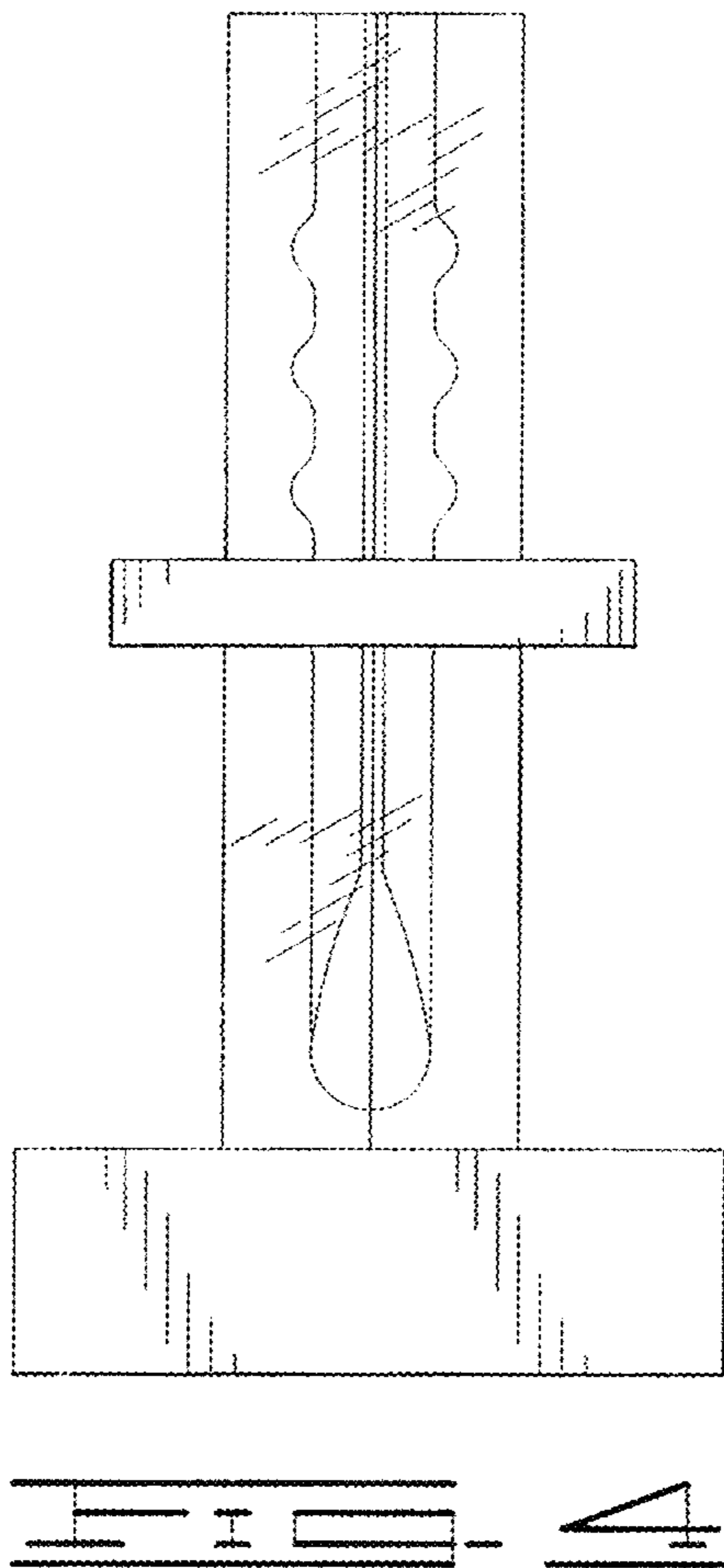
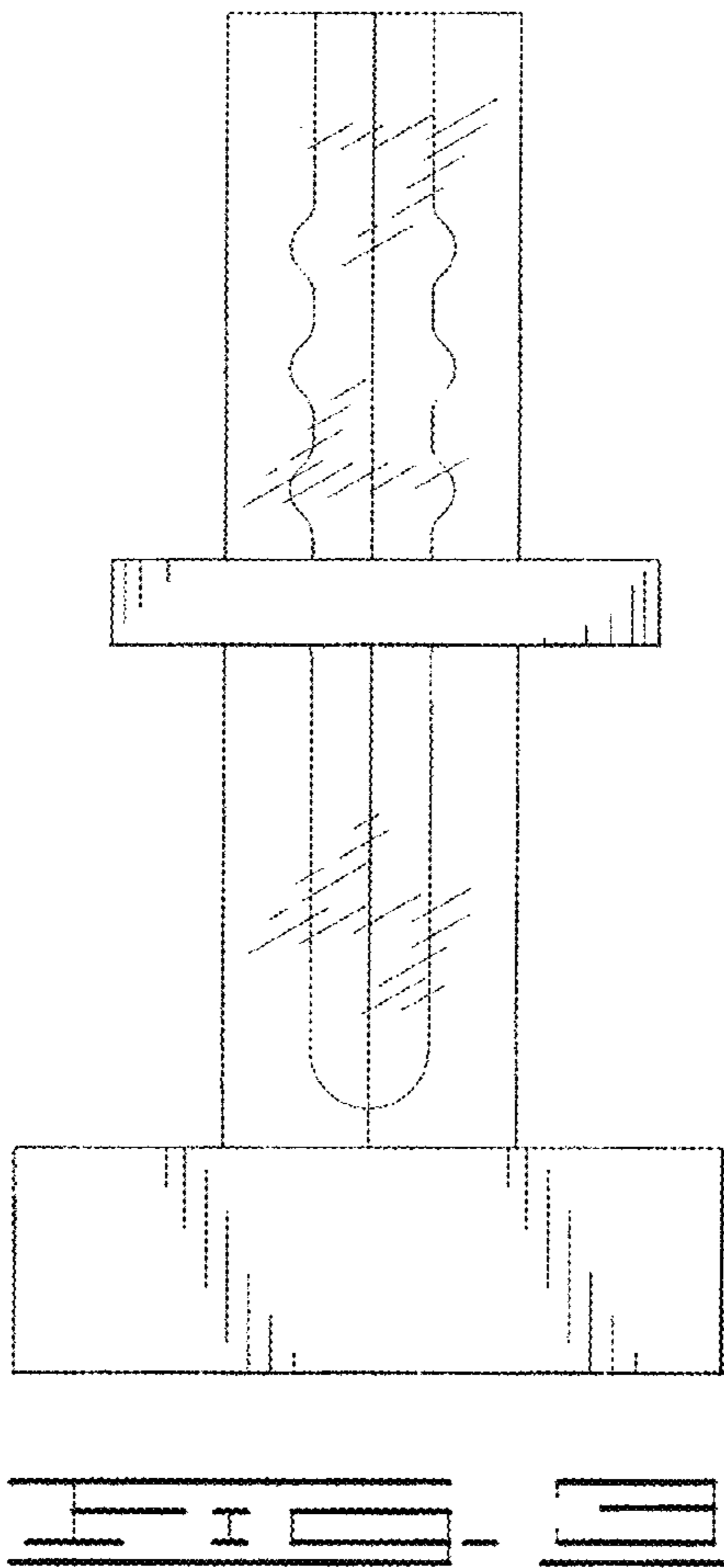


FIG. 2



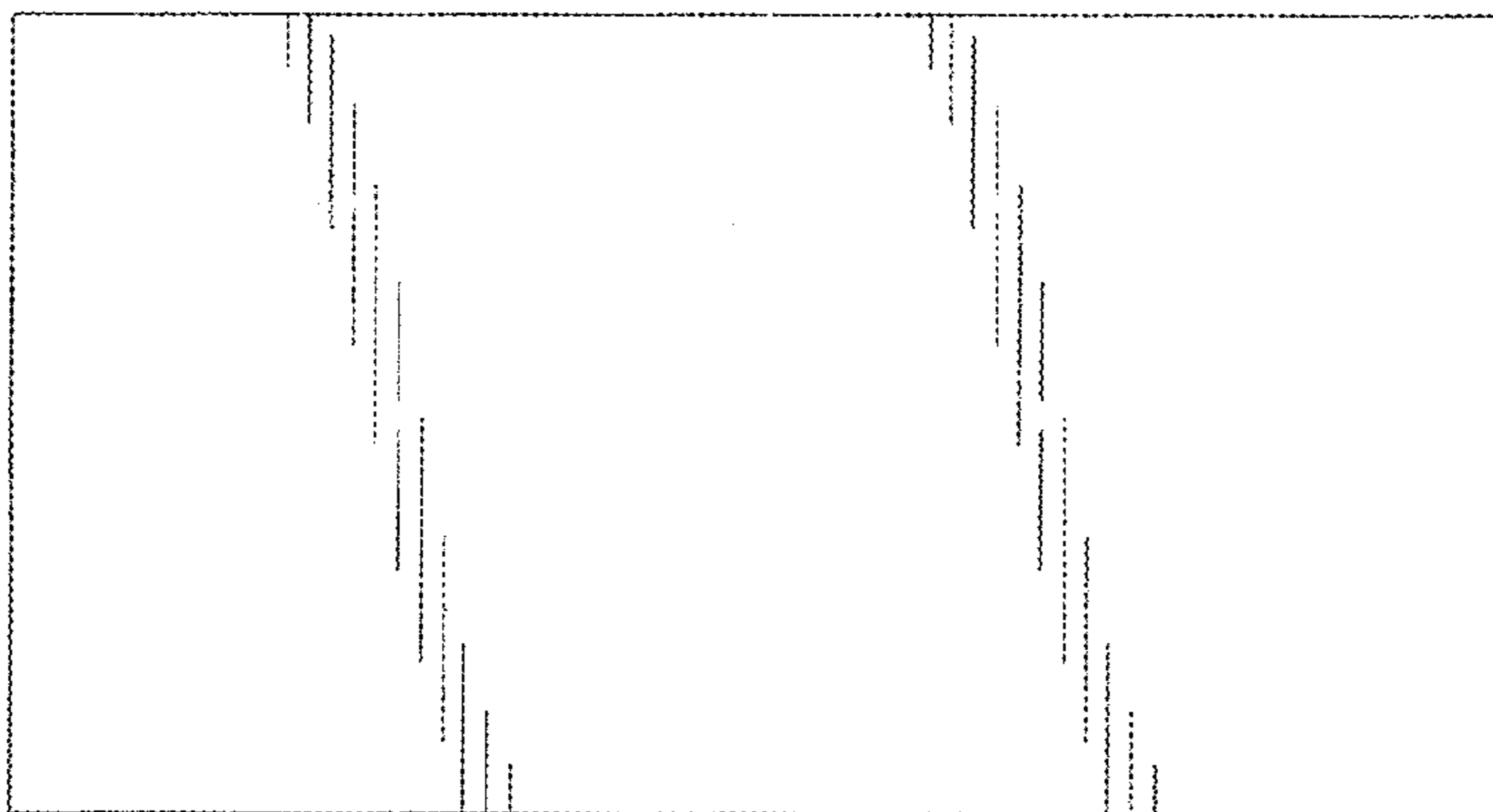


FIG. 6

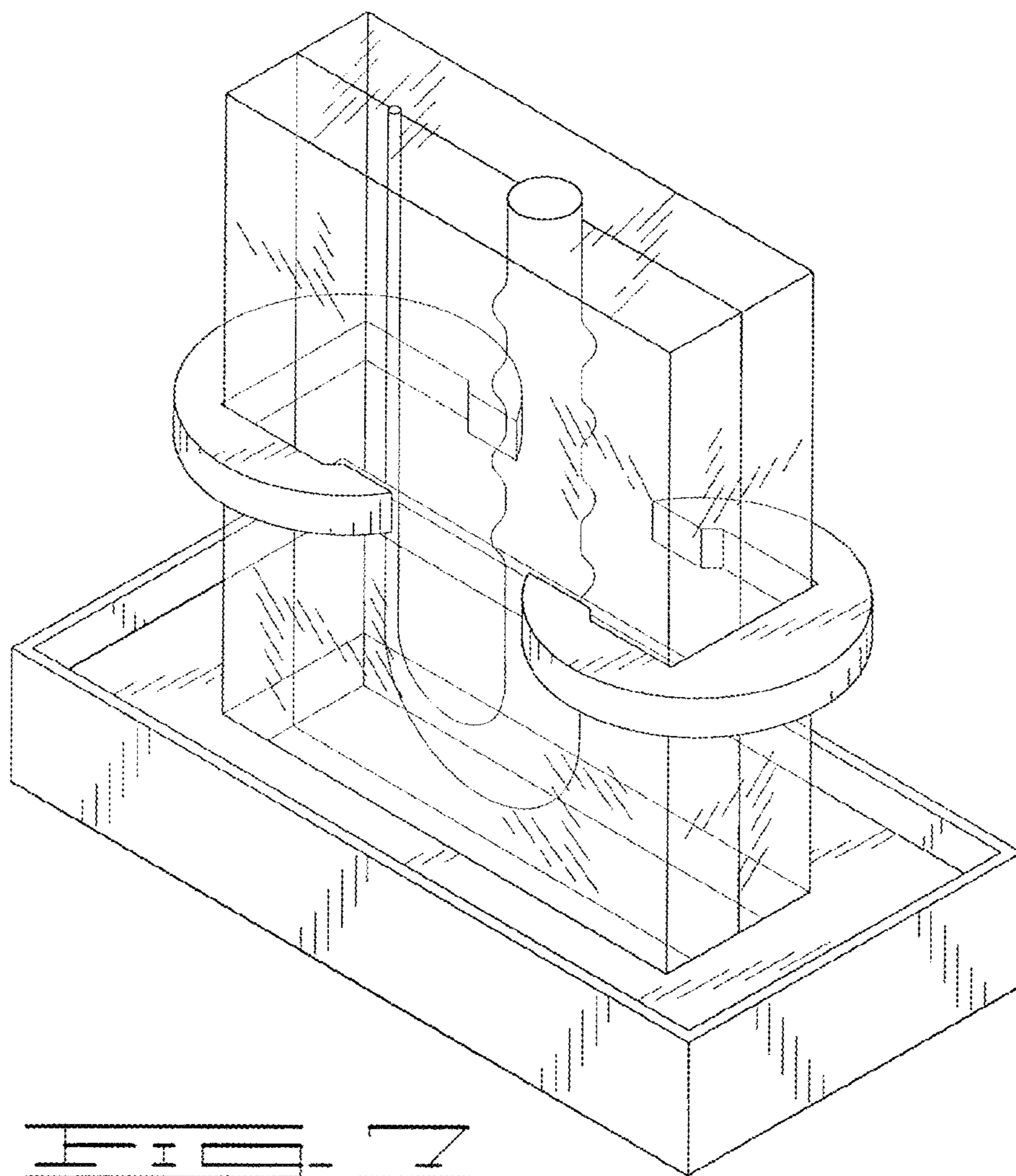


FIG. 7