



US00D681702S

(12) **United States Design Patent**
Mueller

(10) **Patent No.:** **US D681,702 S**

(45) **Date of Patent:** **** May 7, 2013**

(54) **PUNCHING MACHINE**

(75) Inventor: **Robert Mueller, Roth (DE)**

(73) Assignee: **TRUMPF Werkzeugmaschinen GmbH + Co. KG, Ditzingen (DE)**

(**) Term: **14 Years**

(21) Appl. No.: **29/388,281**

(22) Filed: **Mar. 28, 2011**

(51) **LOC (9) Cl.** **15-09**

(52) **U.S. Cl.**
USPC **D15/128**

(58) **Field of Classification Search** D15/122,
D15/124, 127, 128, 130, 131; D18/50, 55,
D18/56; 29/30, 33 A-33 T, 34 R, 39, 50,
29/563-566, 564.1-564.8; 30/361-367;
72/446; 83/76.1, 227, 522, 559, 563, 859;
219/121.6, 121.61, 121.62, 121.67, 121.71,
219/121.73, 121.78, 121.79, 121.82, 121.84;
312/196, 272.5; 372/9, 19, 29, 92, 99, 107-109;
483/29

See application file for complete search history.

(56) **References Cited**

U.S. PATENT DOCUMENTS

4,372,183 A * 2/1983 Lehtinen 83/76.3
D419,573 S 1/2000 Kawahara et al.
D464,363 S 10/2002 Saito et al.
D489,077 S 4/2004 Bloch
D571,382 S * 6/2008 Borgwarth D15/127

D666,637 S * 9/2012 Mueller D15/122
2006/0201231 A1 * 9/2006 Borgwarth 72/448
2007/0101799 A1 * 5/2007 College 72/446

OTHER PUBLICATIONS

Image at pp. 11 and 12 of "TruPunch: Stanzen mit Zukunft", published by Trumpf Werkzeugmaschinen GmbH + Co. KG, Identification No. 0372701-100-10-06-F, as presented at the EuroBlech trade show, Oct. 24-28, 2006 in Hannover, Germany.

Image at pp. 17 and 18 of "TruMatic: Stanzen und Lasern perfekt kombiniert", published by Trumpf Werkzeugmaschinen GmbH + Co. KG, Identification No. 0372731-100-10-06-F, as presented at the EuroBlech trade show, Oct. 24-28, 2006 in Hannover, Germany.

* cited by examiner

Primary Examiner — Patricia Palasik

(74) *Attorney, Agent, or Firm* — Michael D. Bednarek; Axinn Veltrop & Harkrider LLP

(57) **CLAIM**

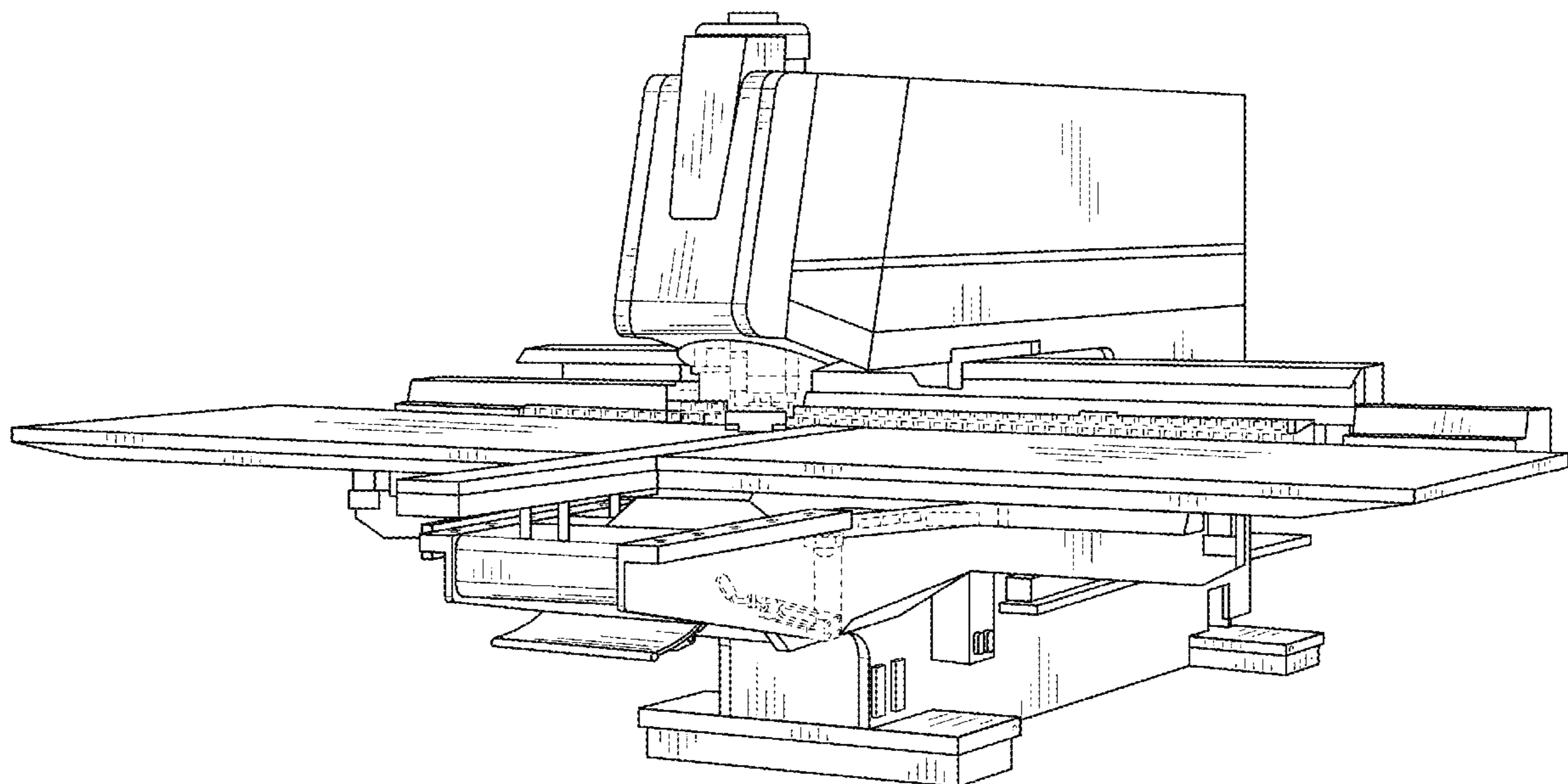
The ornamental design for a punching machine, as shown and described.

DESCRIPTION

FIG. 1 is a front left side perspective view of a punching machine showing my new design;
FIG. 2 is a right side elevation view thereof
FIG. 3 is a left side elevation view thereof;
FIG. 4 is a front elevation view thereof;
FIG. 5 is a rear elevation view thereof; and,
FIG. 6 is a top plan view thereof.

The broken lines in the drawings depict unclaimed environmental subject matter.

1 Claim, 6 Drawing Sheets



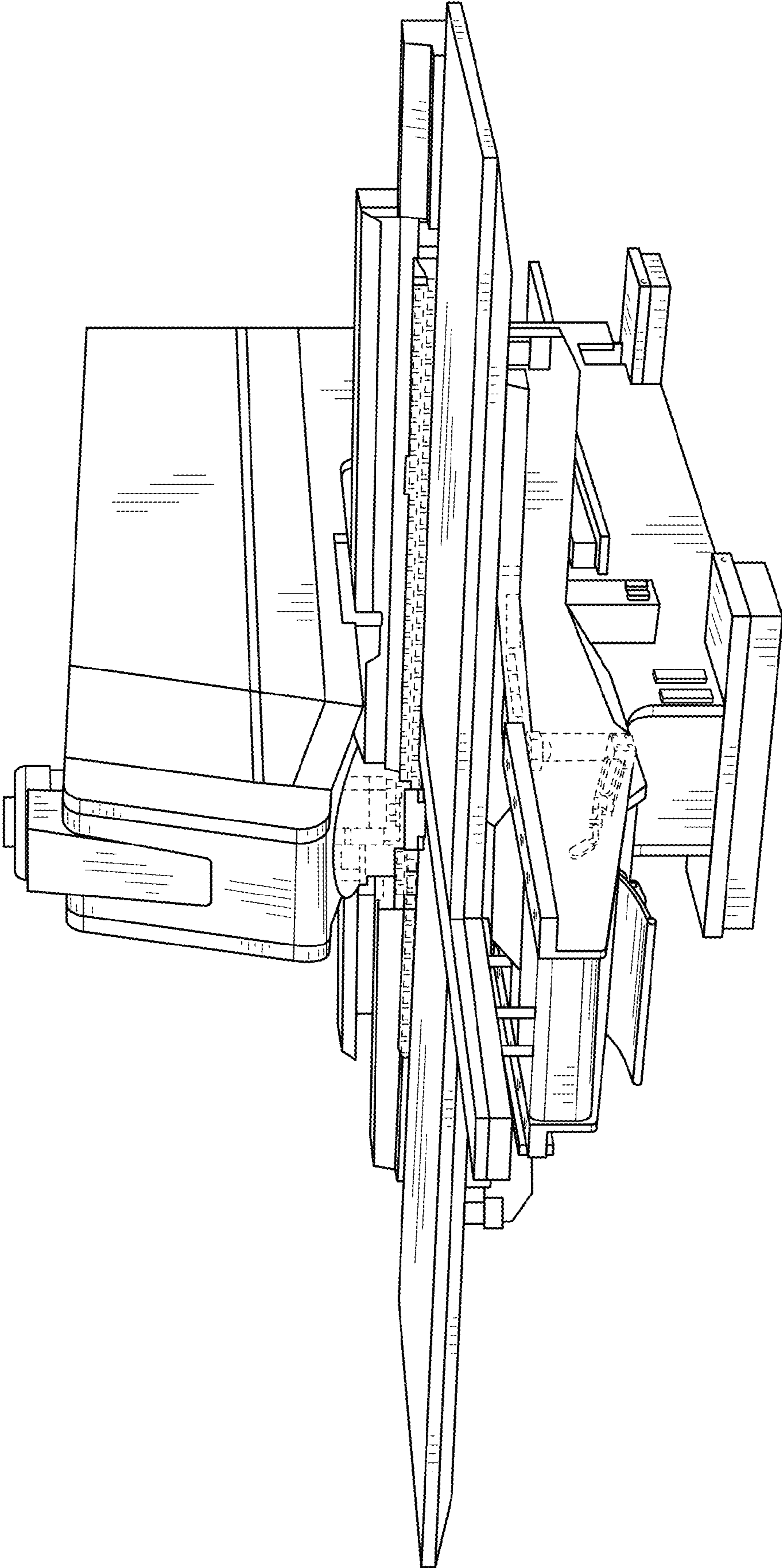


FIG. 1

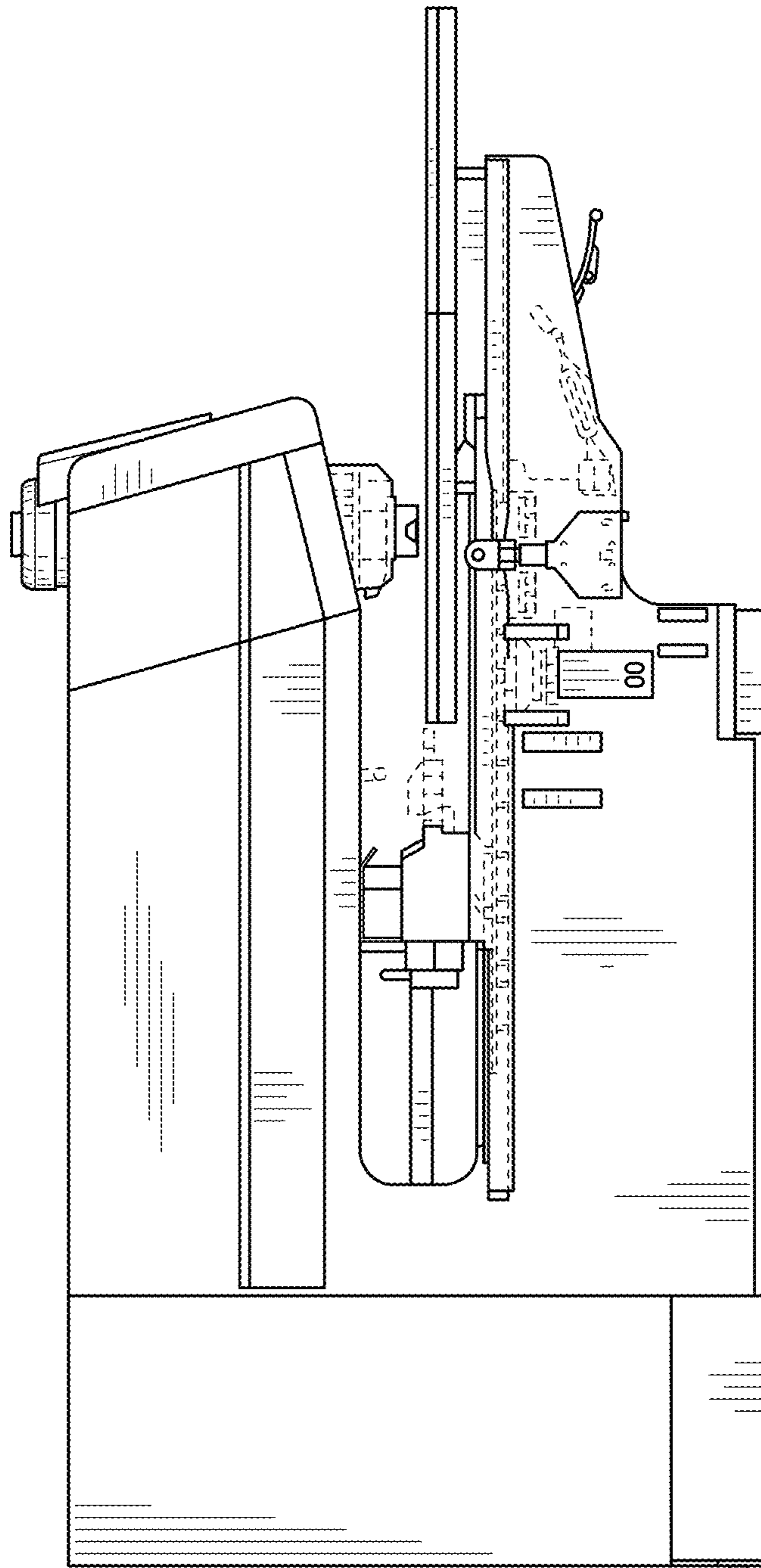


FIG. 2

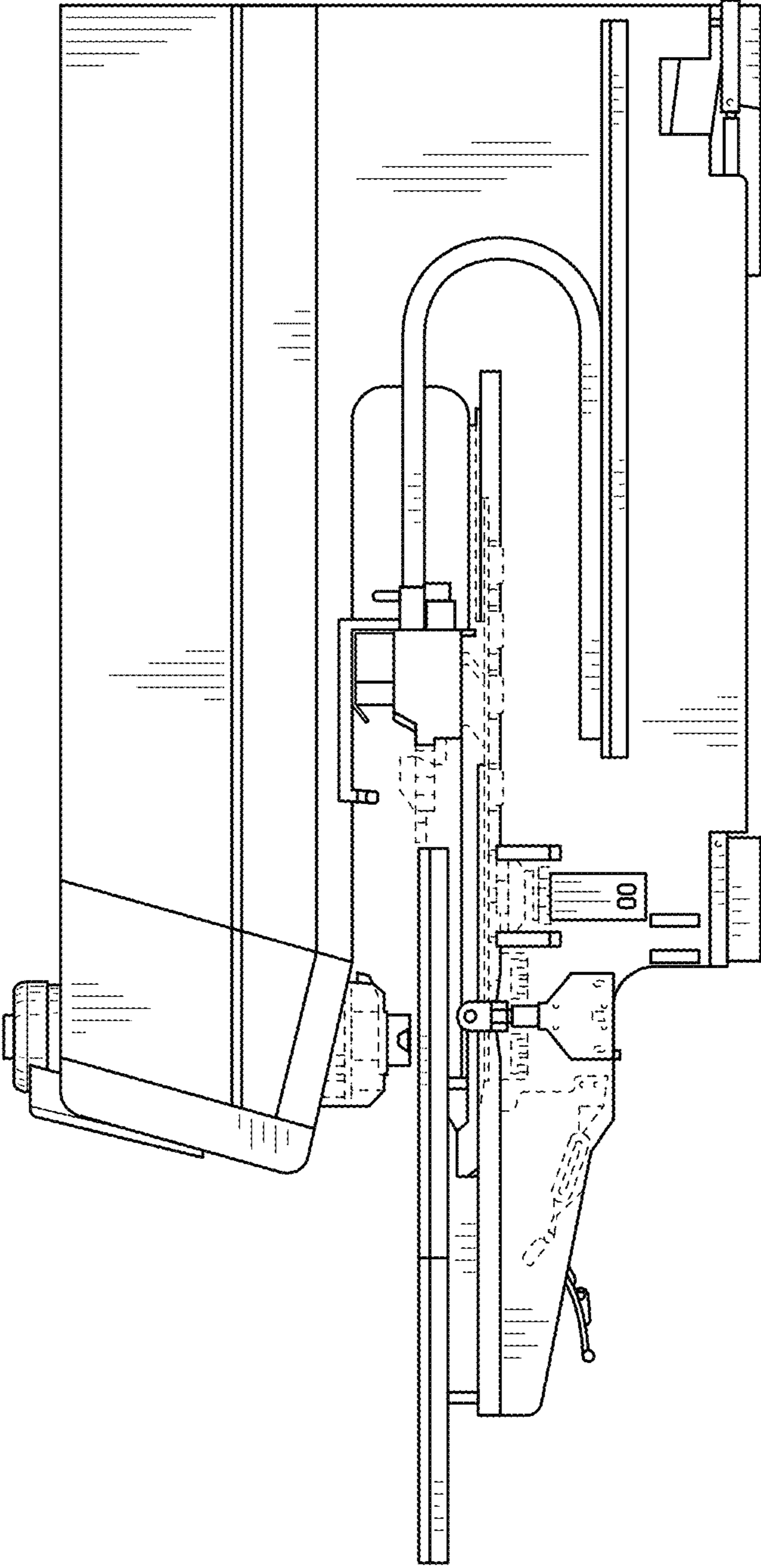


FIG. 3

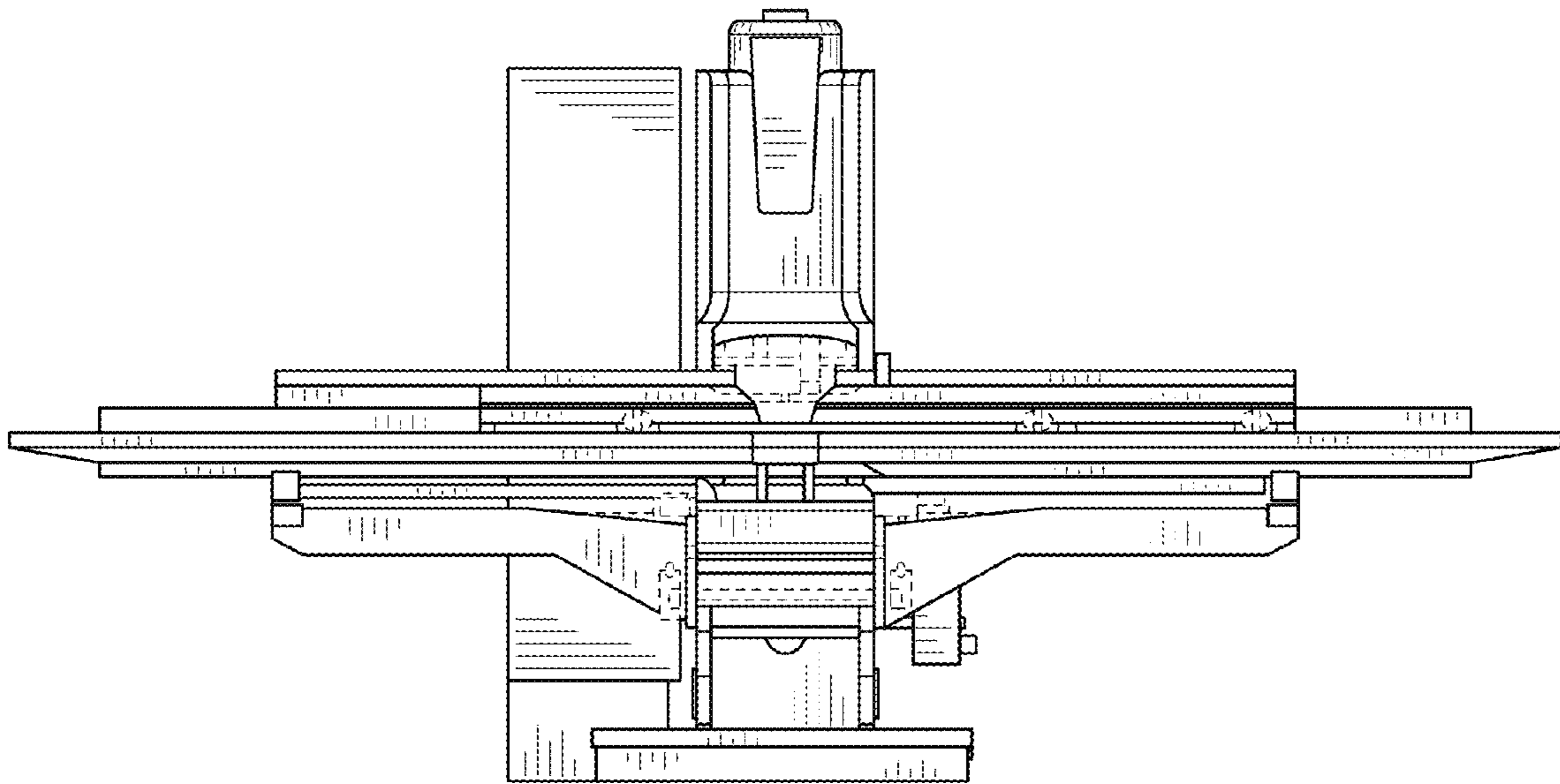


FIG. 4

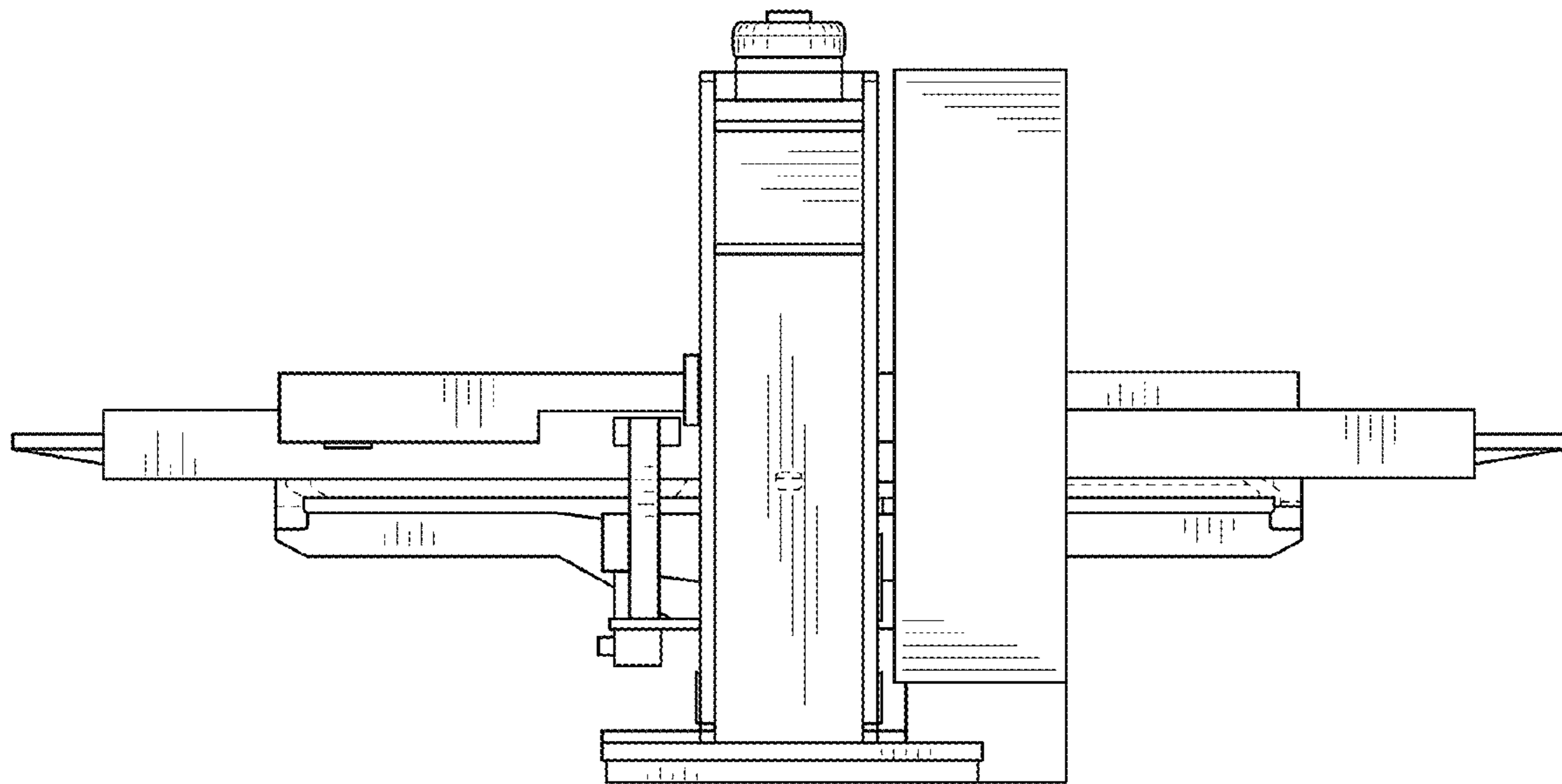


FIG. 5

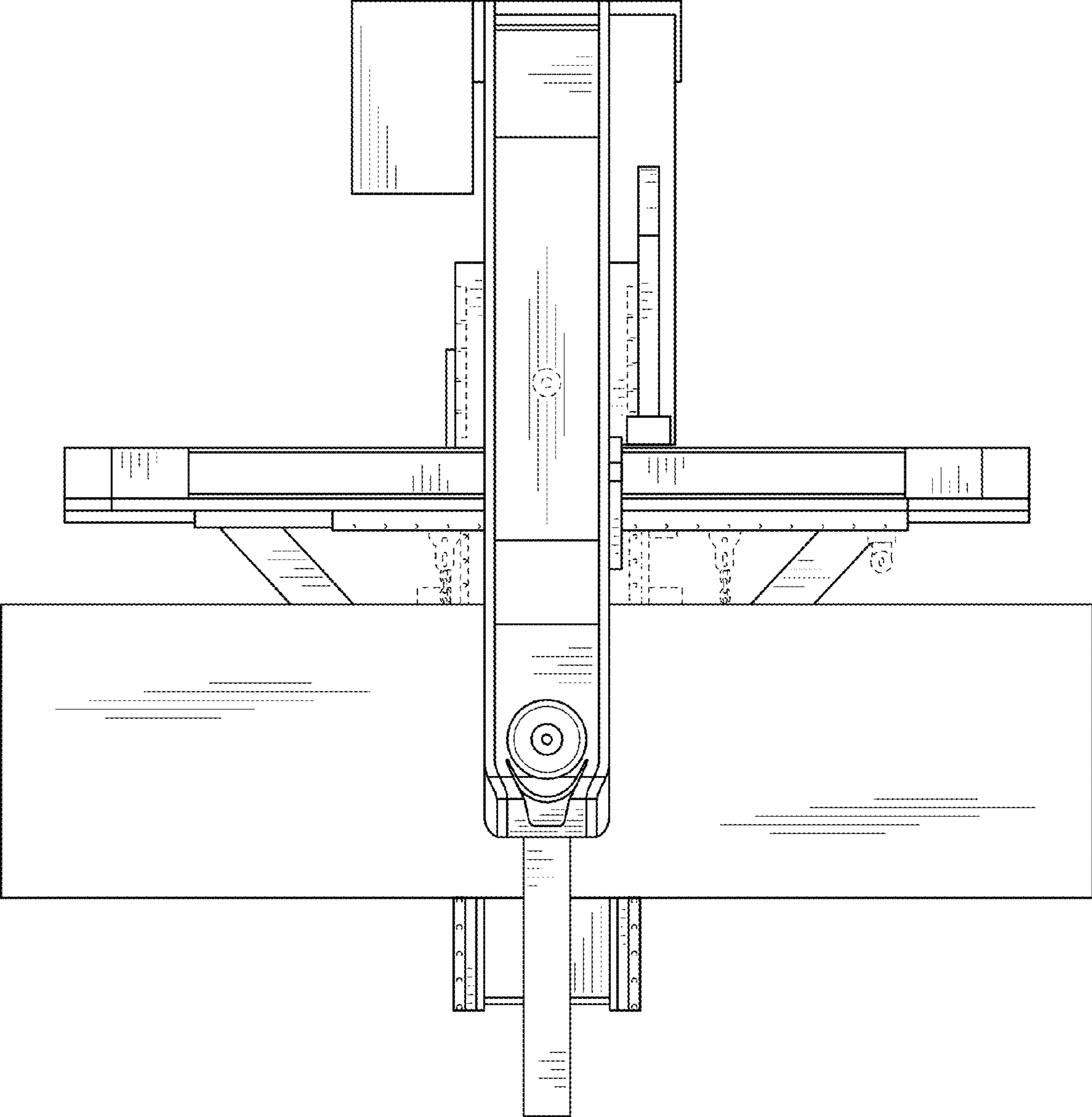


FIG. 6