



US00D681701S

(12) **United States Design Patent**
Banjo

(10) **Patent No.:** **US D681,701 S**

(45) **Date of Patent:** **** May 7, 2013**

(54) **LOG SPLITTER BEAM**

(71) Applicant: **Frictionless World LLC**, Louisville, CO (US)

(72) Inventor: **Daniel Banjo**, Boulder, CO (US)

(73) Assignee: **Frictionless World LLC**, Louisville, CO (US)

(**) Term: **14 Years**

(21) Appl. No.: **29/436,770**

(22) Filed: **Nov. 8, 2012**

(51) **LOC (9) Cl.** **15-09**

(52) **U.S. Cl.**
USPC **D15/127**

(58) **Field of Classification Search** D8/47;
D15/127, 133, 199; 83/468.1, 471.2, 471.3,
83/477.2, 486.1, 574, 701, 928; 108/12,
108/19; 144/193.1–195.8, 286.5, 287, 366;
254/104; 269/1

See application file for complete search history.

(56) **References Cited**

U.S. PATENT DOCUMENTS

4,700,759 A 10/1987 Duerr
4,770,218 A 9/1988 Duerr
4,782,870 A 11/1988 Duerr
D326,665 S 6/1992 Greenburg et al.
5,284,193 A * 2/1994 Mires et al. 144/195.1

D544,505 S 6/2007 VanderBurgh et al.
D585,915 S * 2/2009 Feng D15/127
D617,354 S * 6/2010 Banjo et al. D15/127
7,882,868 B2 * 2/2011 Lessard 144/193.1
D648,761 S 11/2011 Banjo et al.
2004/0250895 A1 * 12/2004 Marx 144/193.1
2005/0284540 A1 * 12/2005 Walker et al. 144/193.2
2005/0284541 A1 * 12/2005 Walker et al. 144/193.2
2007/0000975 A1 * 1/2007 Paradise 228/182
2008/0251158 A1 * 10/2008 Koch 144/366

* cited by examiner

Primary Examiner — Patricia Palasik

(74) *Attorney, Agent, or Firm* — Marsh Fischmann & Breyfogle LLP

(57) **CLAIM**

The ornamental design for a “log splitter beam”, as shown and described.

DESCRIPTION

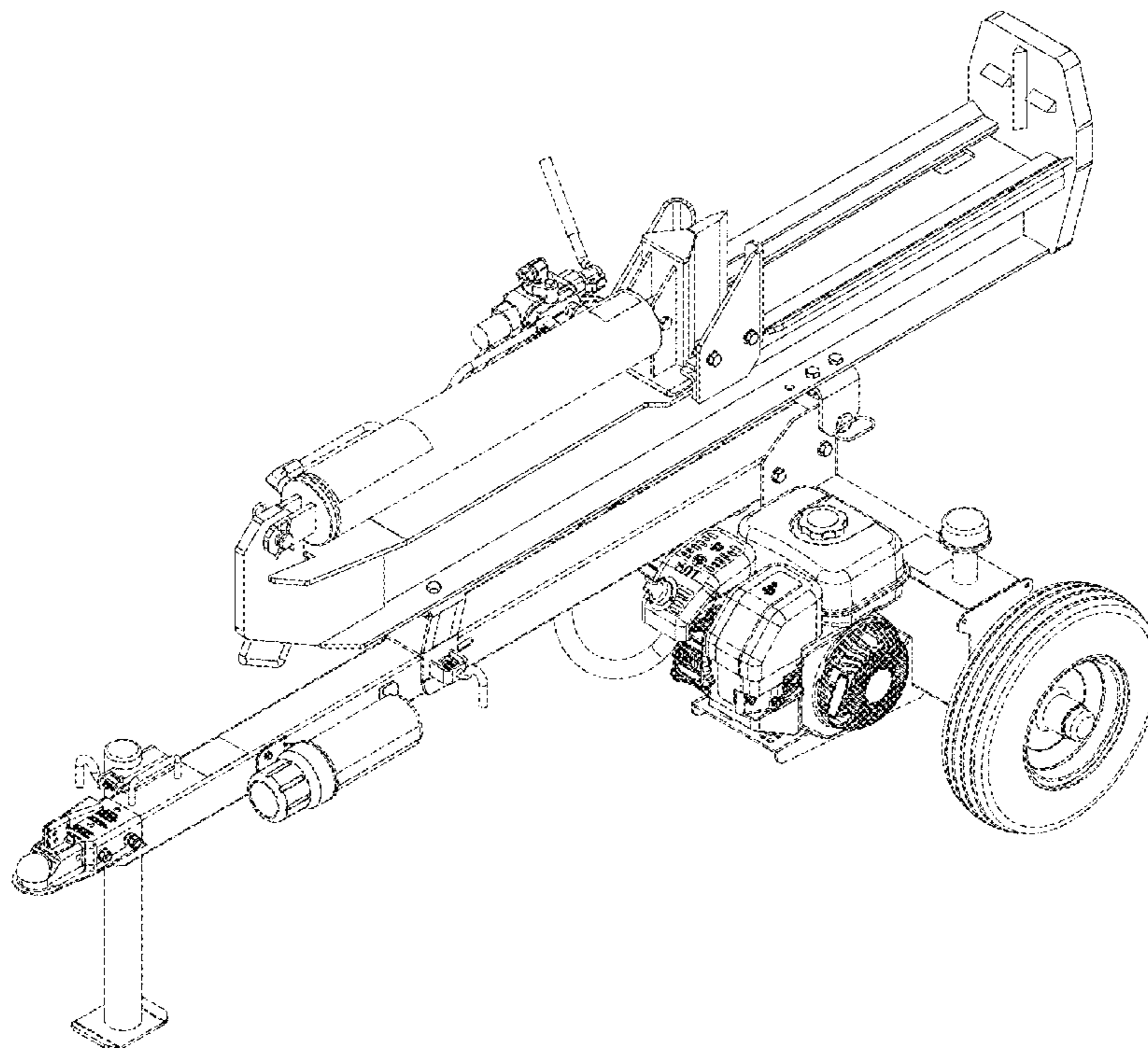
FIG. 1 is a perspective view of the log splitter beam being attached to a log splitting device; the broken lines are for illustrative purposes only and form no part of the claimed design.

FIG. 2 is a perspective view of the log splitter beam of FIG. 1. FIG. 3 is a top view of the log splitter beam of FIG. 2.

FIG. 4 is a bottom view of the log splitter beam of FIG. 2. FIG. 5 is a right side view of the log splitter beam of FIG. 2.

FIG. 6 is a front view of the log splitter beam of FIG. 2; and, FIG. 7 is a rear view of the log splitter beam of FIG. 2.

1 Claim, 4 Drawing Sheets



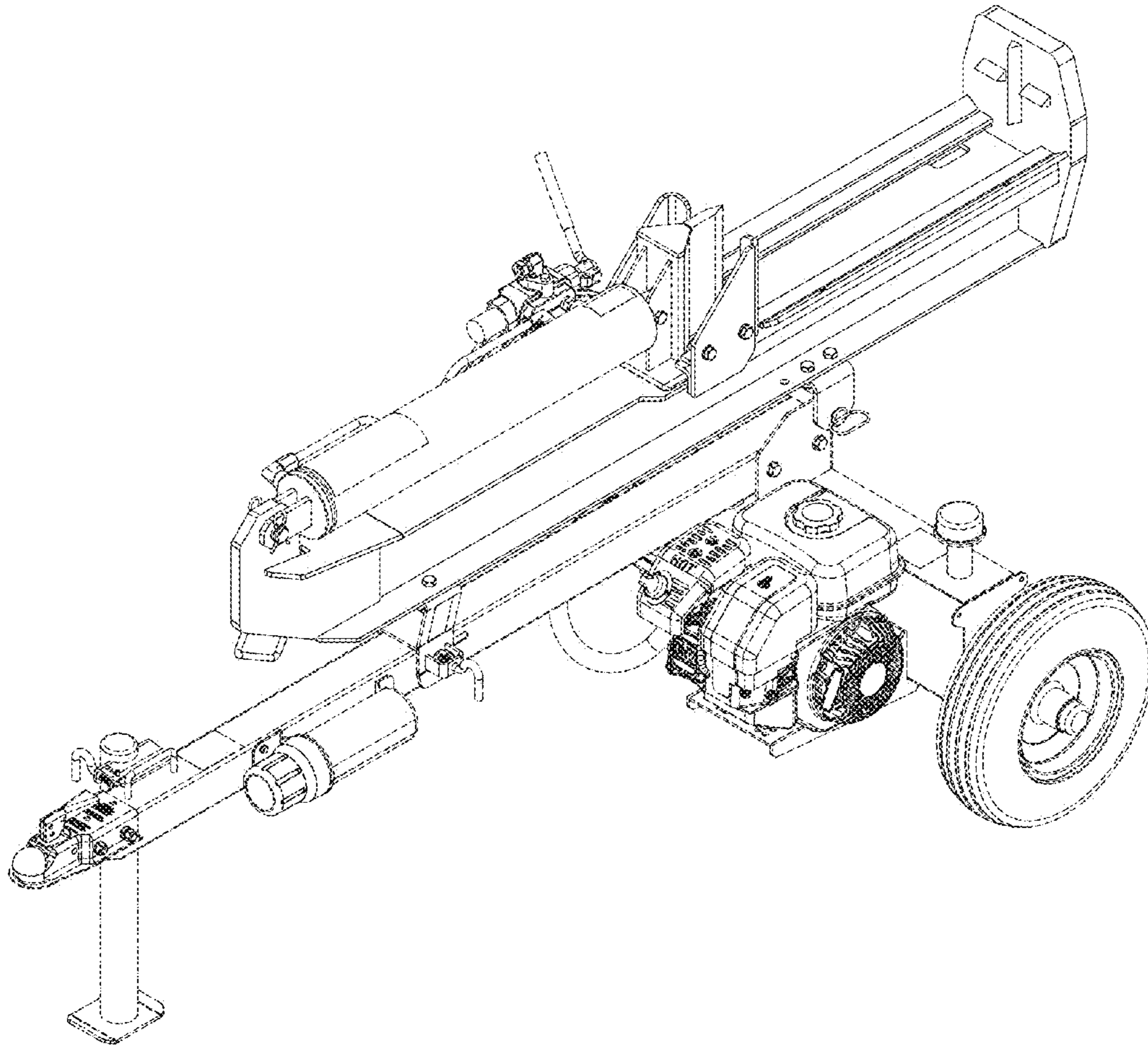


Fig. 1

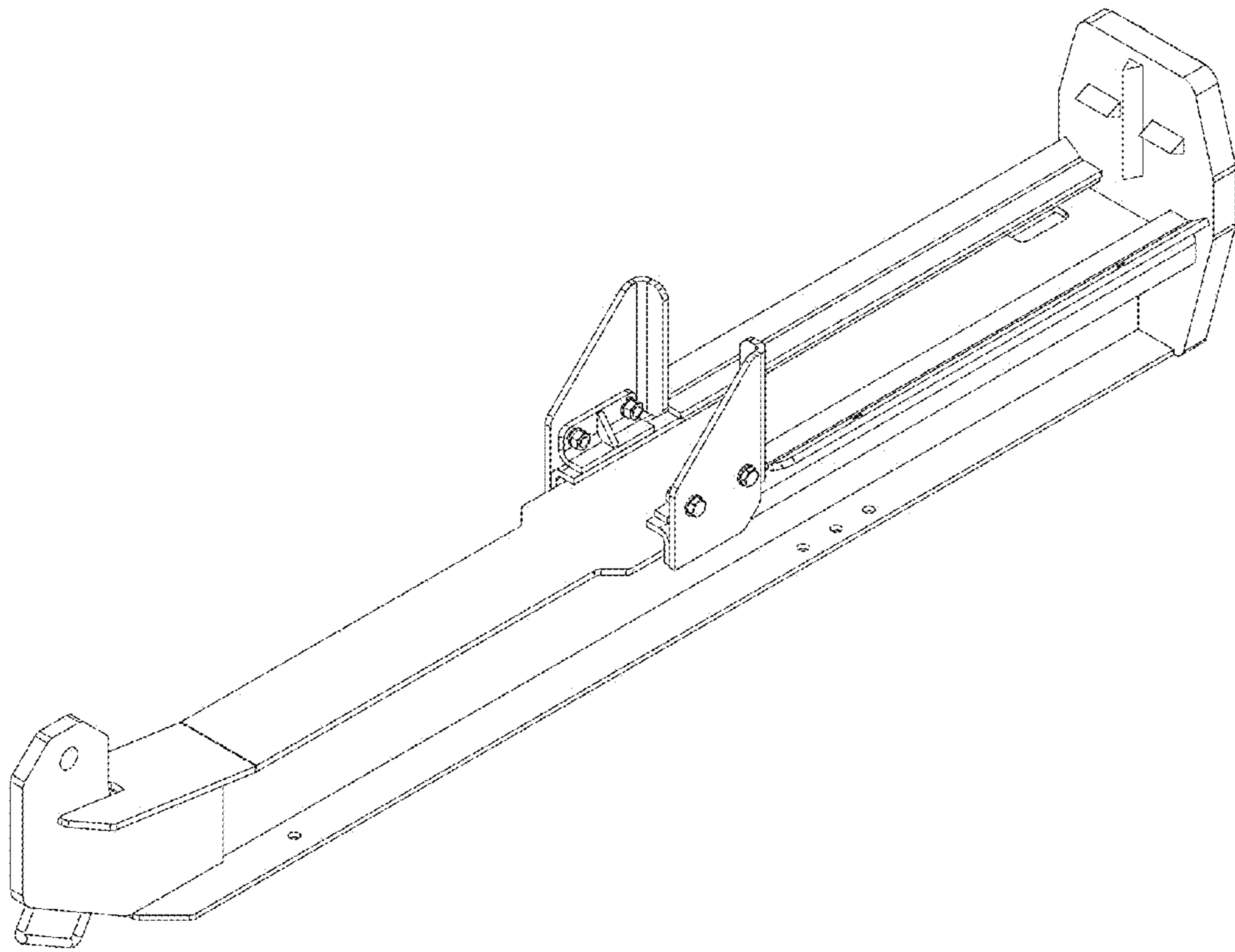


Fig. 2

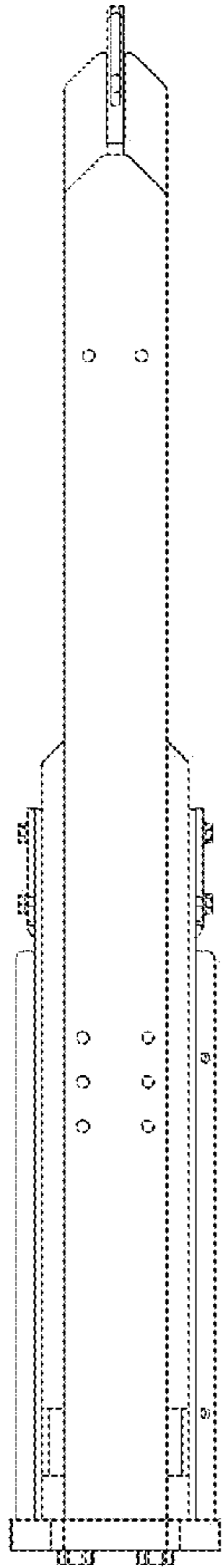


Fig. 4

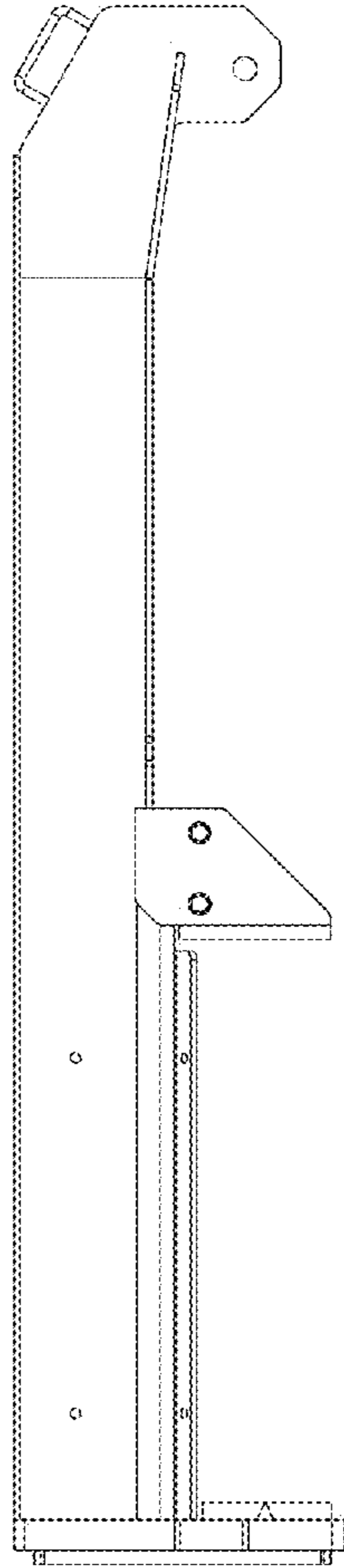


Fig. 5

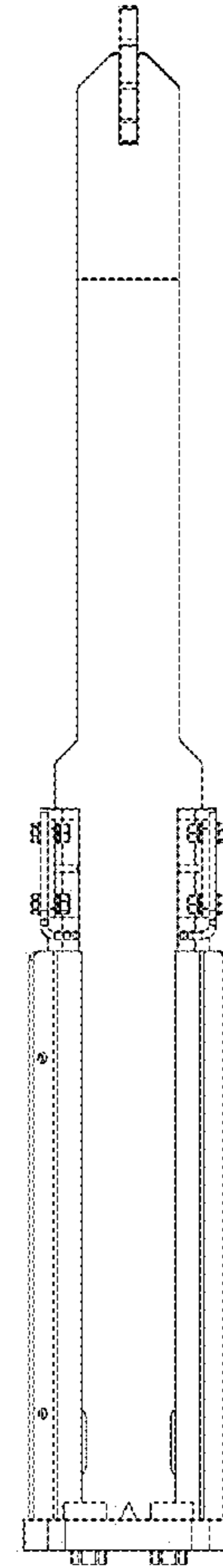


Fig. 3

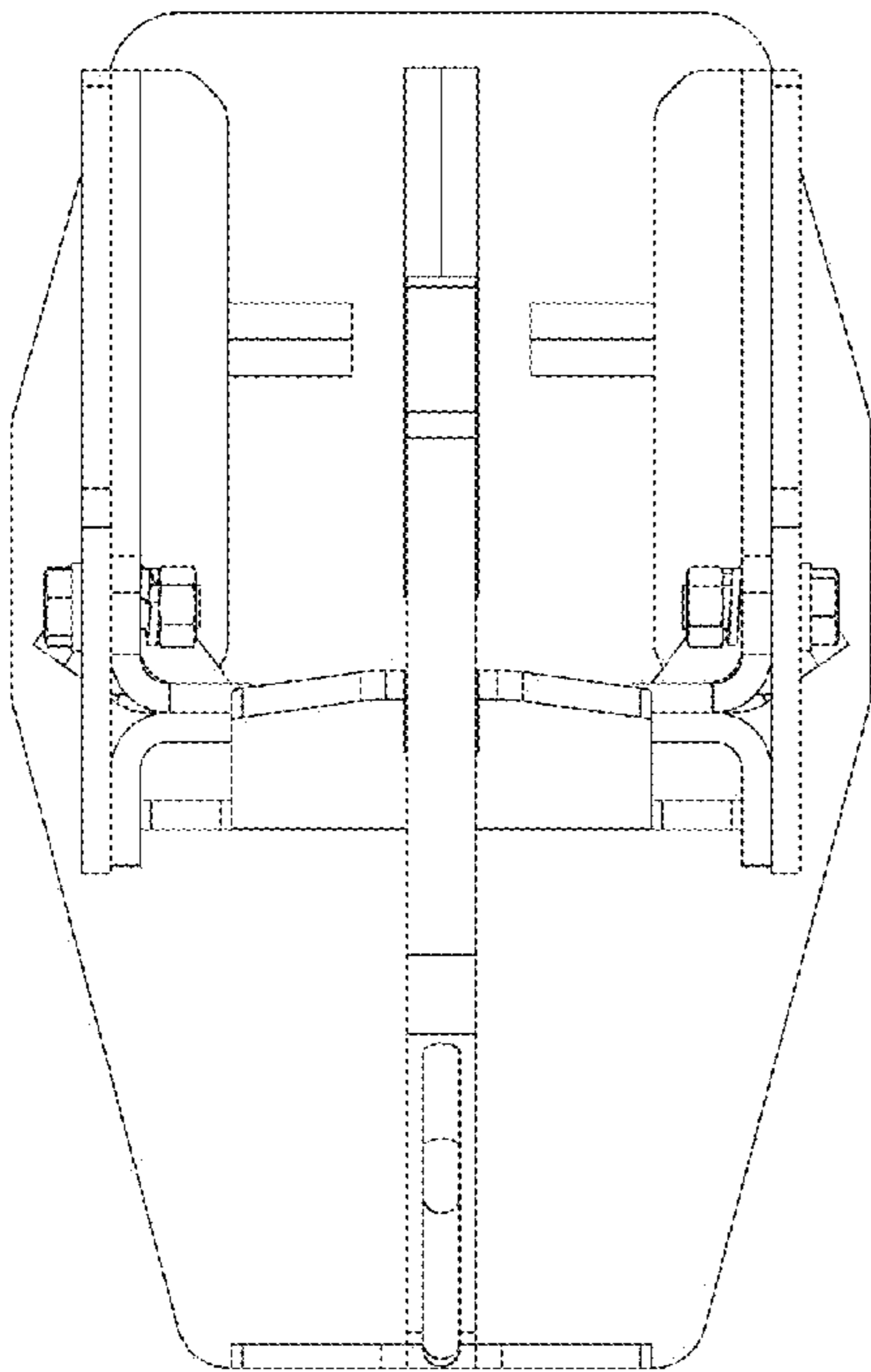


Fig. 6

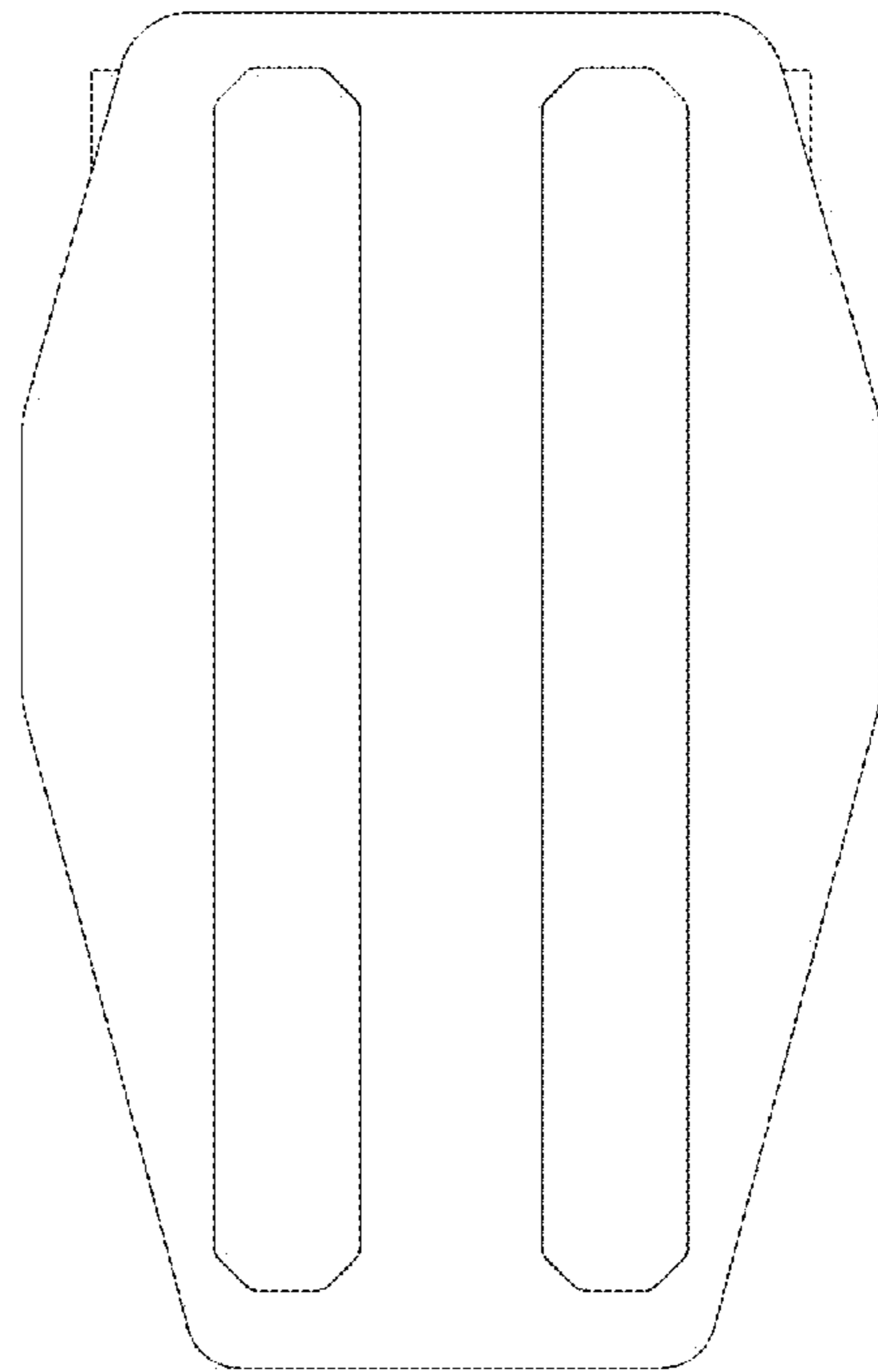


Fig. 7