



US00D681700S

(12) **United States Design Patent**
Raffaelli et al.

(10) **Patent No.:** **US D681,700 S**

(45) **Date of Patent:** **** May 7, 2013**

(54) **OPHTHALMIC ROUGHING WHEEL**

Primary Examiner — Patricia Palasik

(74) *Attorney, Agent, or Firm* — Warn Partners, P.C.

(75) Inventors: **Dennis R. Raffaelli**, Oxford, MI (US);
Chris Pokornicki, Shelby Township, MI (US); **Ronald C. Wiand**, Troy, MI (US)

(73) Assignee: **Inland Diamond Products Company**,
Madison Heights, MI (US)

(57) **CLAIM**

The ornamental design for an ophthalmic roughing wheel, as shown and described.

(**) Term: **14 Years**

(21) Appl. No.: **29/374,812**

DESCRIPTION

(22) Filed: **Oct. 11, 2011**

(51) **LOC (9) Cl.** **15-09**

(52) **U.S. Cl.**
USPC **D15/124**

(58) **Field of Classification Search** D8/70,
D8/90, 98; D15/124, 126, 127, 132, 138,
D15/139; 83/589, 663, 676; 451/548-551
See application file for complete search history.

FIG. 1 is a perspective view of an ophthalmic roughing wheel, in accordance with the present invention;

FIG. 2 is an elevation view of the ophthalmic roughing wheel of FIG. 1, in accordance with the present invention;

FIG. 3 is a top plan view of the ophthalmic roughing wheel of FIGS. 1-2; and,

FIG. 4 is a detailed side view of the ophthalmic roughing wheel depicted in FIGS. 1-3, in accordance with the present invention.

The broken lines in the figures showing other portions of an ophthalmic roughing wheel are for illustrative purposes only and form no part of the claimed ornamental design.

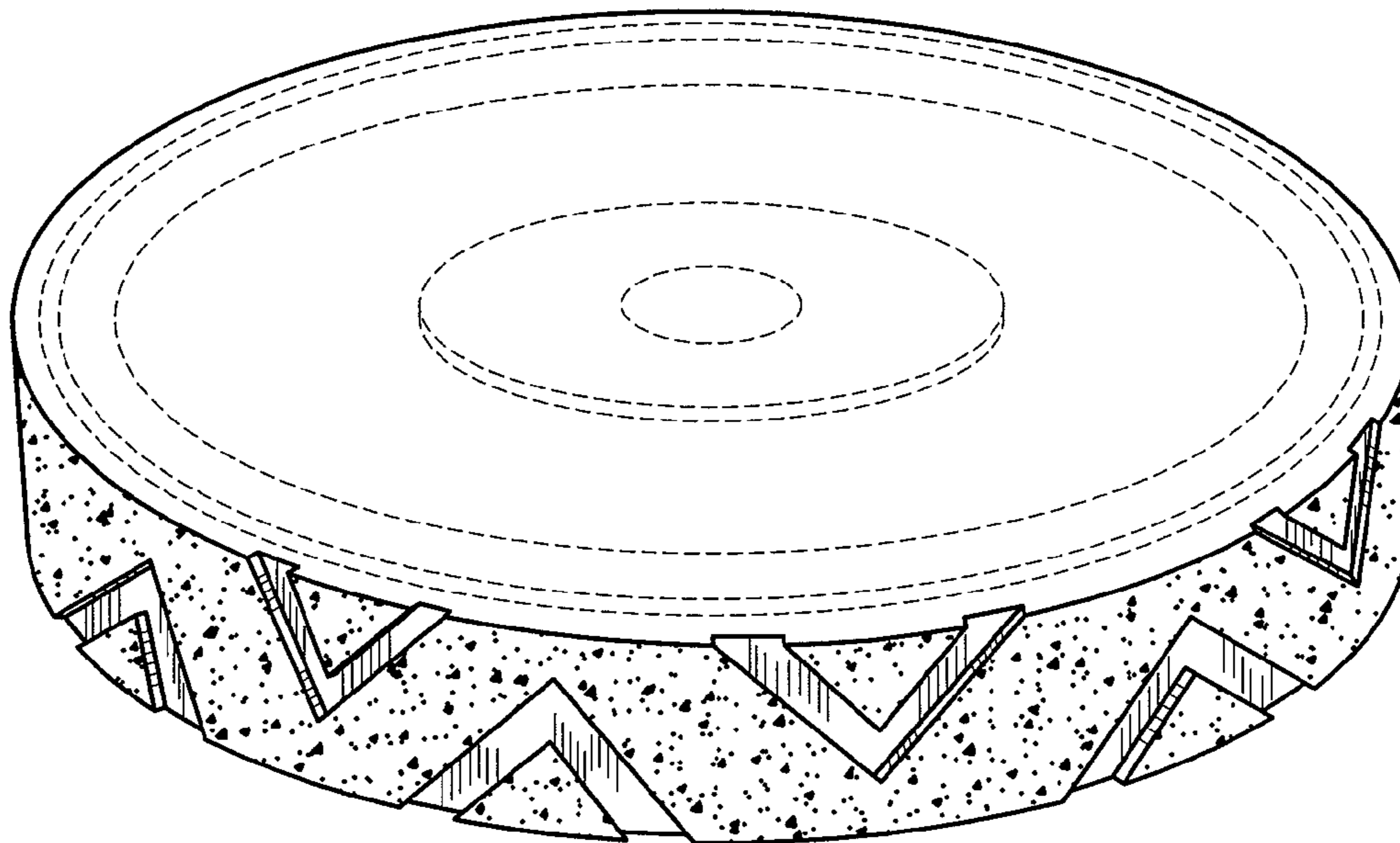
(56) **References Cited**

U.S. PATENT DOCUMENTS

D377,362 S * 1/1997 Mihailovic D15/126

* cited by examiner

1 Claim, 2 Drawing Sheets



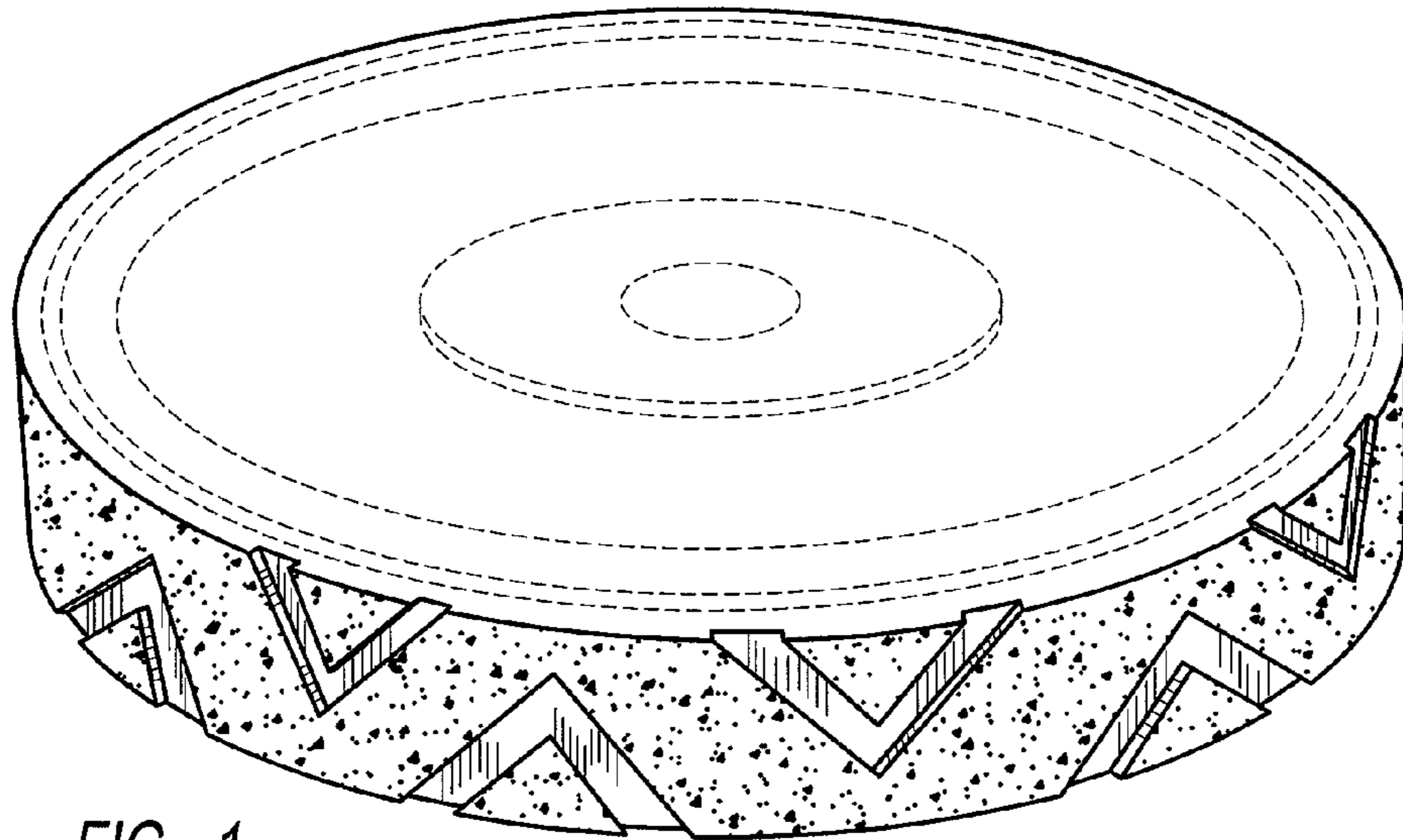


FIG - 1

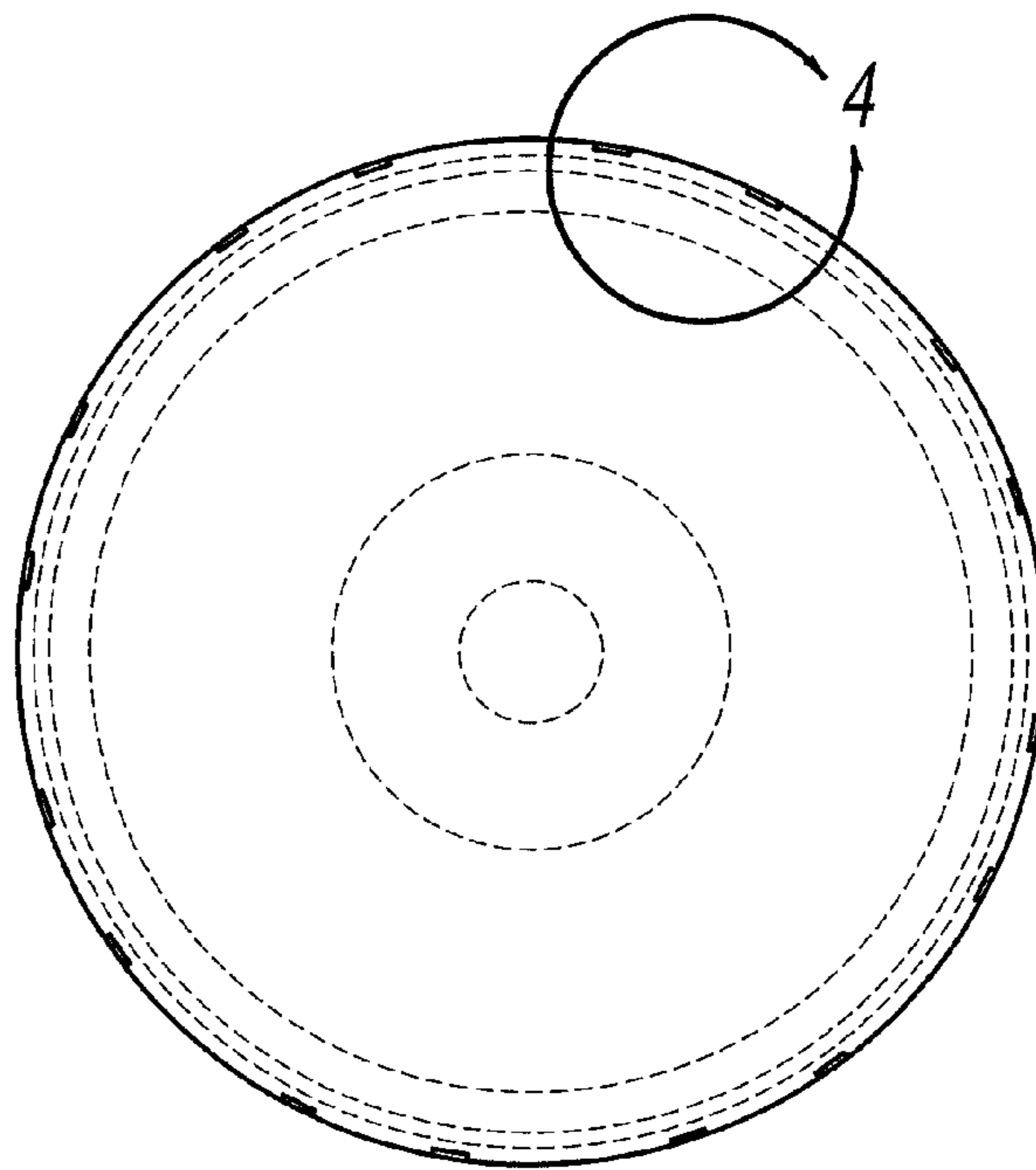


FIG - 2

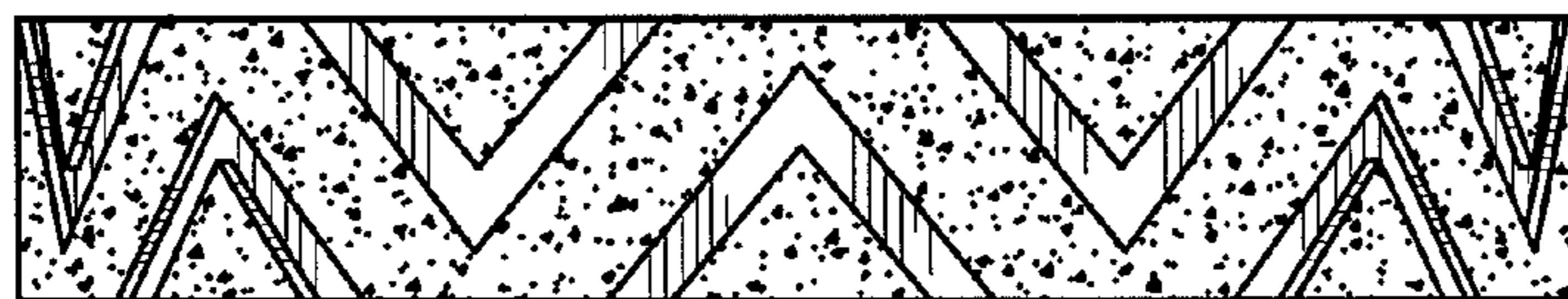


FIG - 3

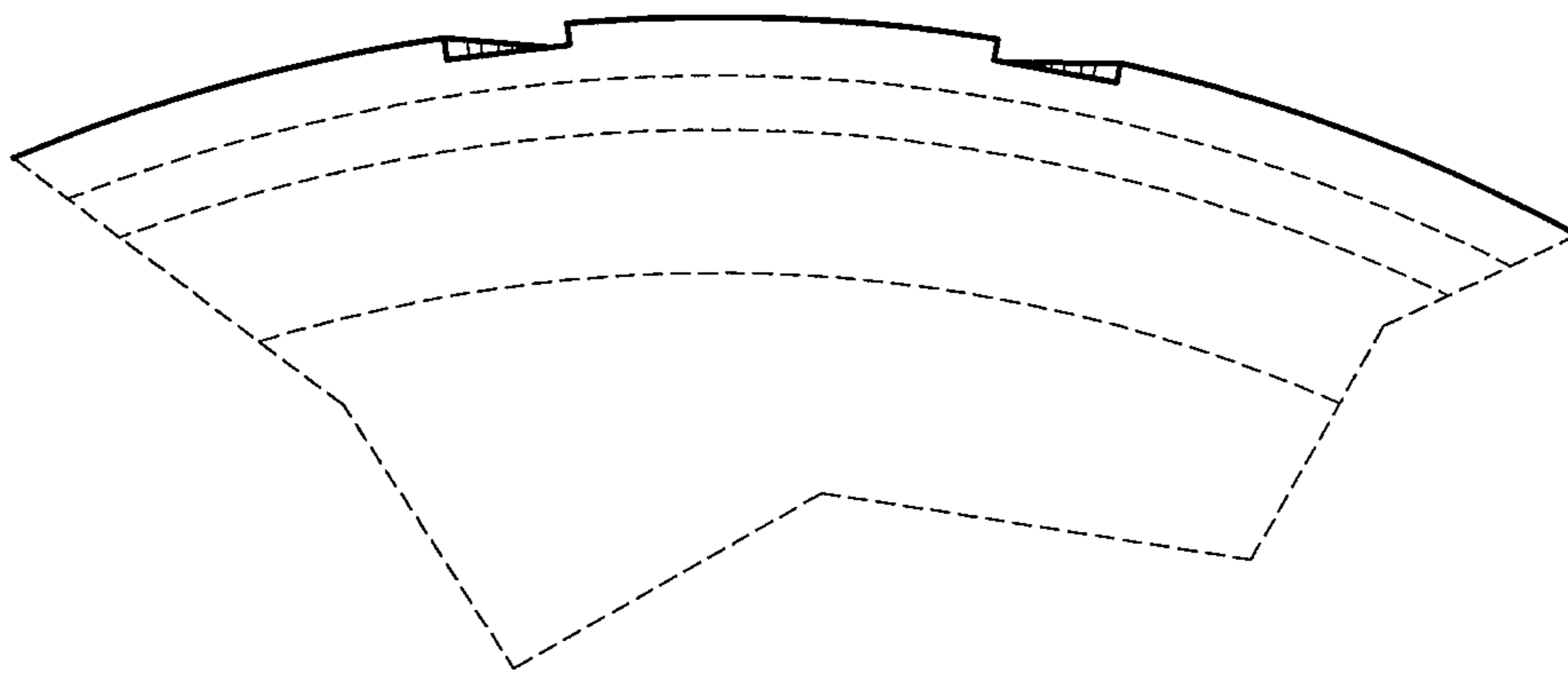


FIG - 4