



US00D681699S

(12) **United States Design Patent**
Lin

(10) **Patent No.:** **US D681,699 S**

(45) **Date of Patent:** **** May 7, 2013**

(54) **VERTICAL MACHINE CENTER**

(71) Applicant: **Bin Chun Lin**, Taichung (TW)

(72) Inventor: **Bin Chun Lin**, Taichung (TW)

(**) Term: **14 Years**

(21) Appl. No.: **29/439,354**

(22) Filed: **Dec. 10, 2012**

(51) **LOC (9) Cl.** **15-09**

(52) **U.S. Cl.**
USPC **D15/122**

(58) **Field of Classification Search** D15/122,
D15/124, 127, 128, 130, 131; 29/26 A, 26 R,
29/30, 33 A-33 T, 34 R, 39, 50, 563-566,
29/564.1-564.8; 483/17-57

See application file for complete search history.

(56) **References Cited**

U.S. PATENT DOCUMENTS

D302,164 S * 7/1989 Itoh et al. D15/122
D319,834 S * 9/1991 Rutschle D15/131
D330,032 S * 10/1992 Cromer et al. D15/127

D338,212 S * 8/1993 Corsi D15/131
5,914,054 A * 6/1999 Ito et al. 219/69.11
D427,614 S * 7/2000 Miyake et al. D15/127
D445,807 S * 7/2001 Baulk D15/127
D489,077 S * 4/2004 Bloch D15/127
D578,144 S * 10/2008 Arisue et al. D15/122
2004/0110614 A1 * 6/2004 Hessbruggen et al. 483/18

* cited by examiner

Primary Examiner — Patricia Palasik

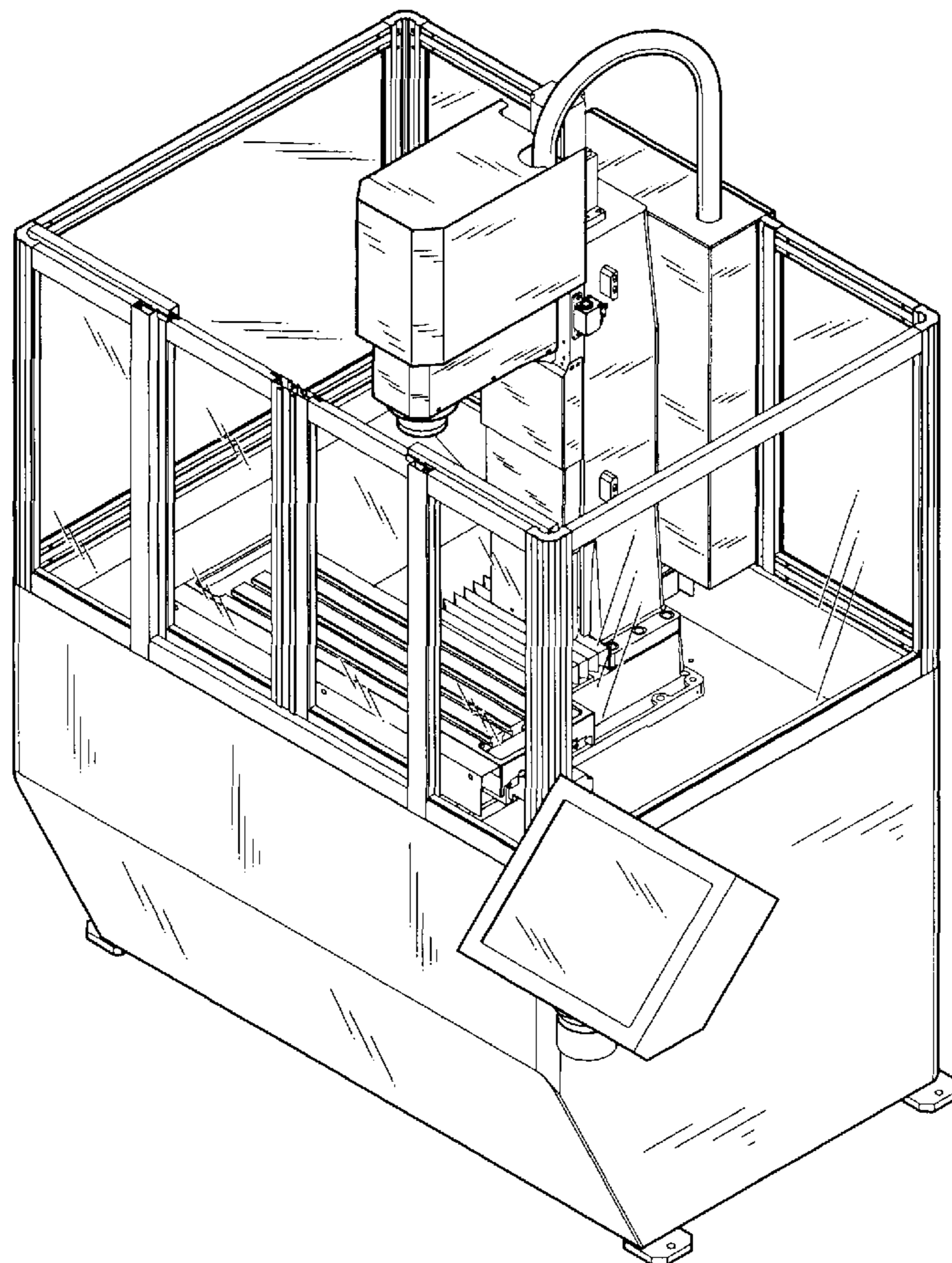
(57) **CLAIM**

The ornamental design for a vertical machine center, as shown and described.

DESCRIPTION

FIG. 1 is a perspective view of a vertical machine center showing my new design;
FIG. 2 is a front elevational view thereof;
FIG. 3 is a rear elevational view thereof;
FIG. 4 is a left side elevational view thereof;
FIG. 5 is a right side elevational view thereof;
FIG. 6 is a top plan view thereof; and,
FIG. 7 is a bottom plan view thereof.

1 Claim, 7 Drawing Sheets



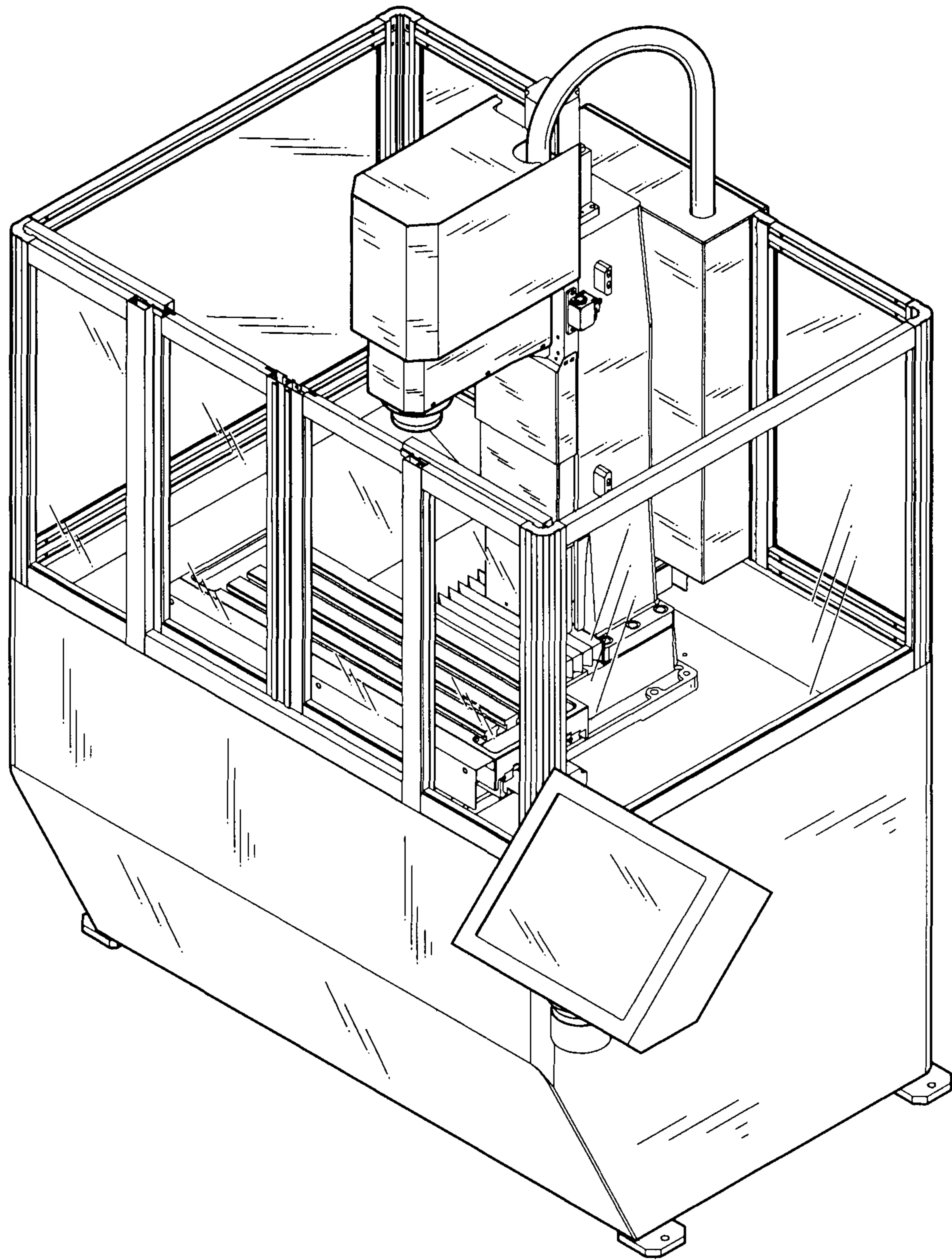


FIG. 1

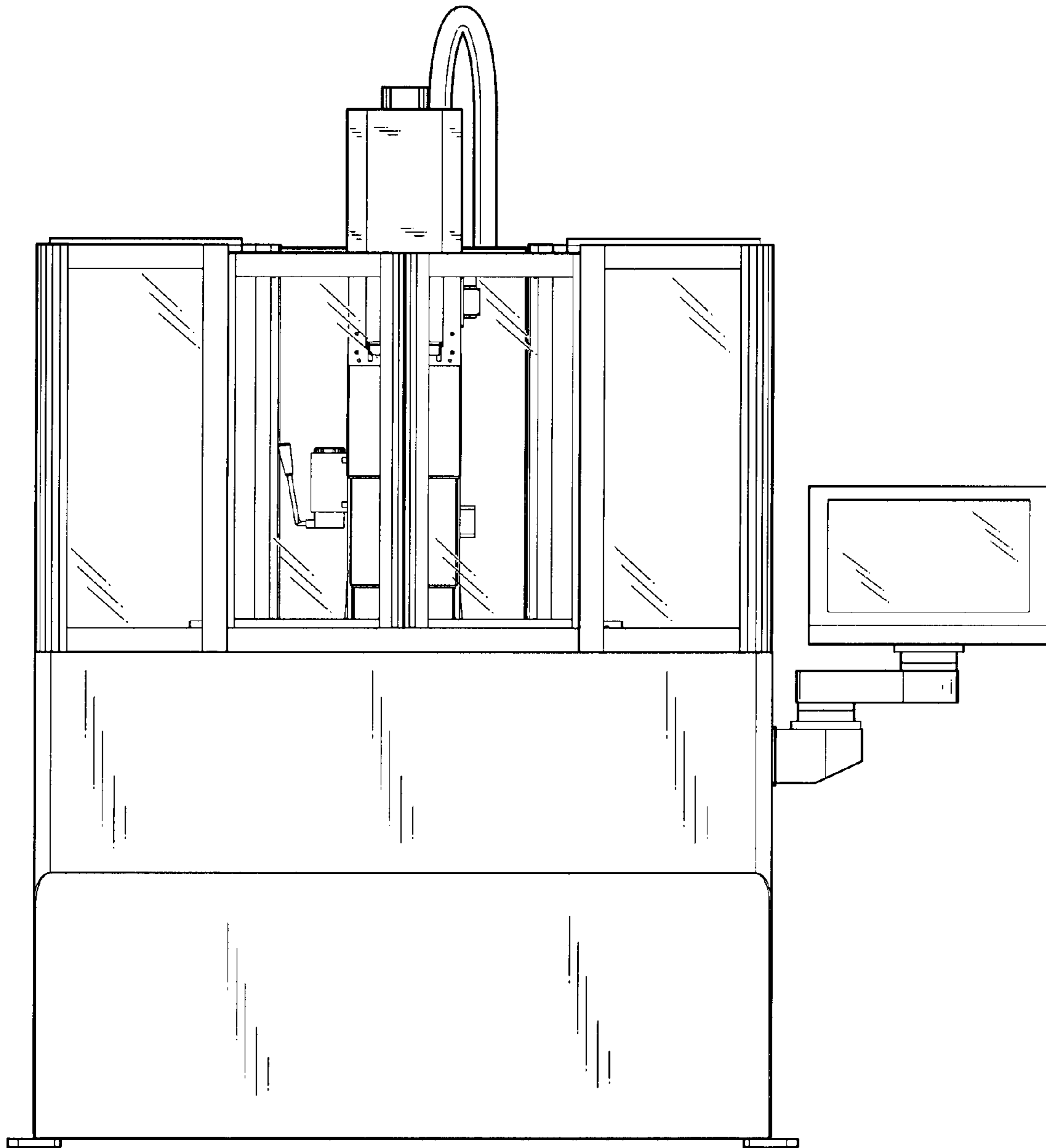


FIG. 2

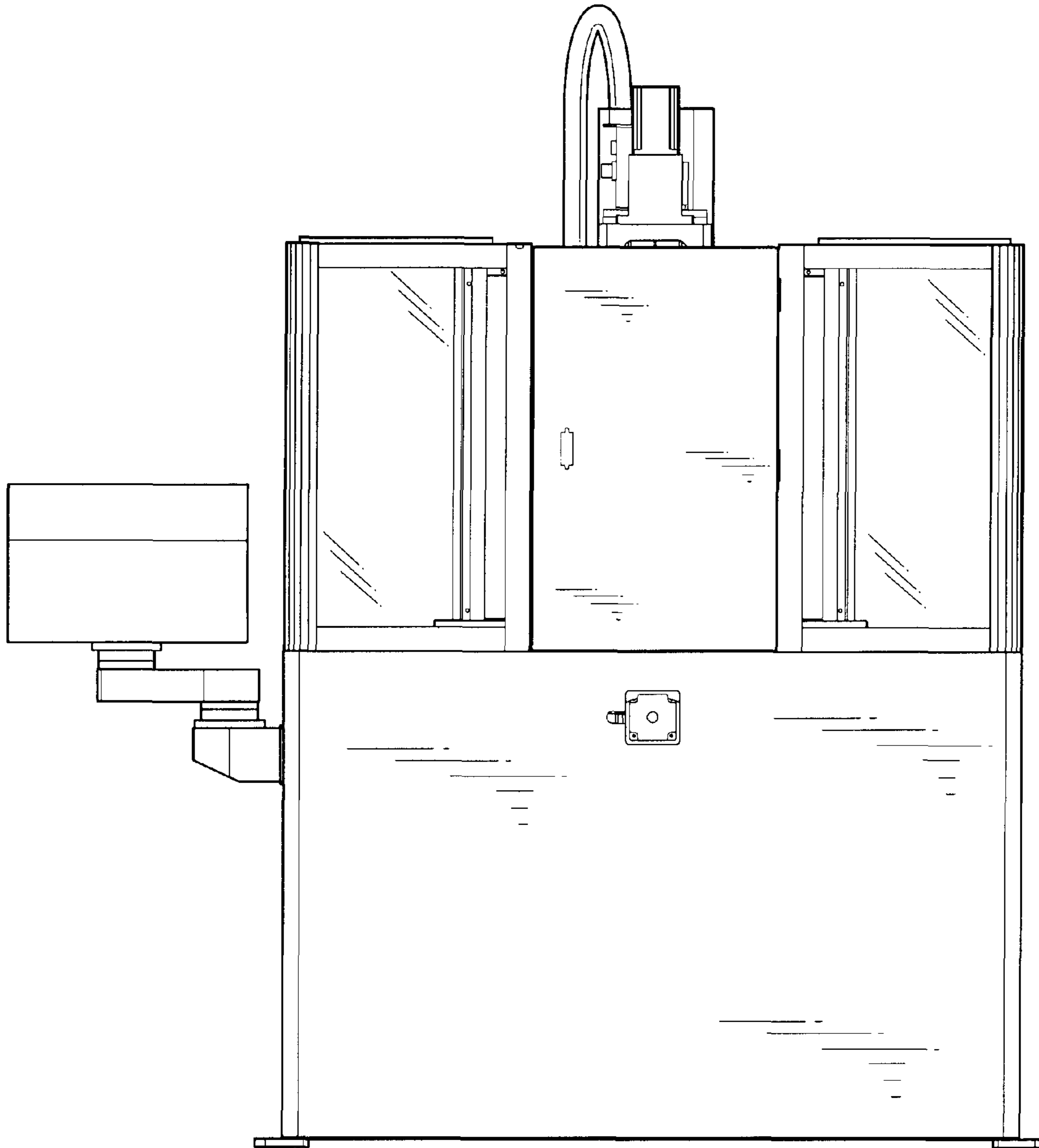


FIG. 3

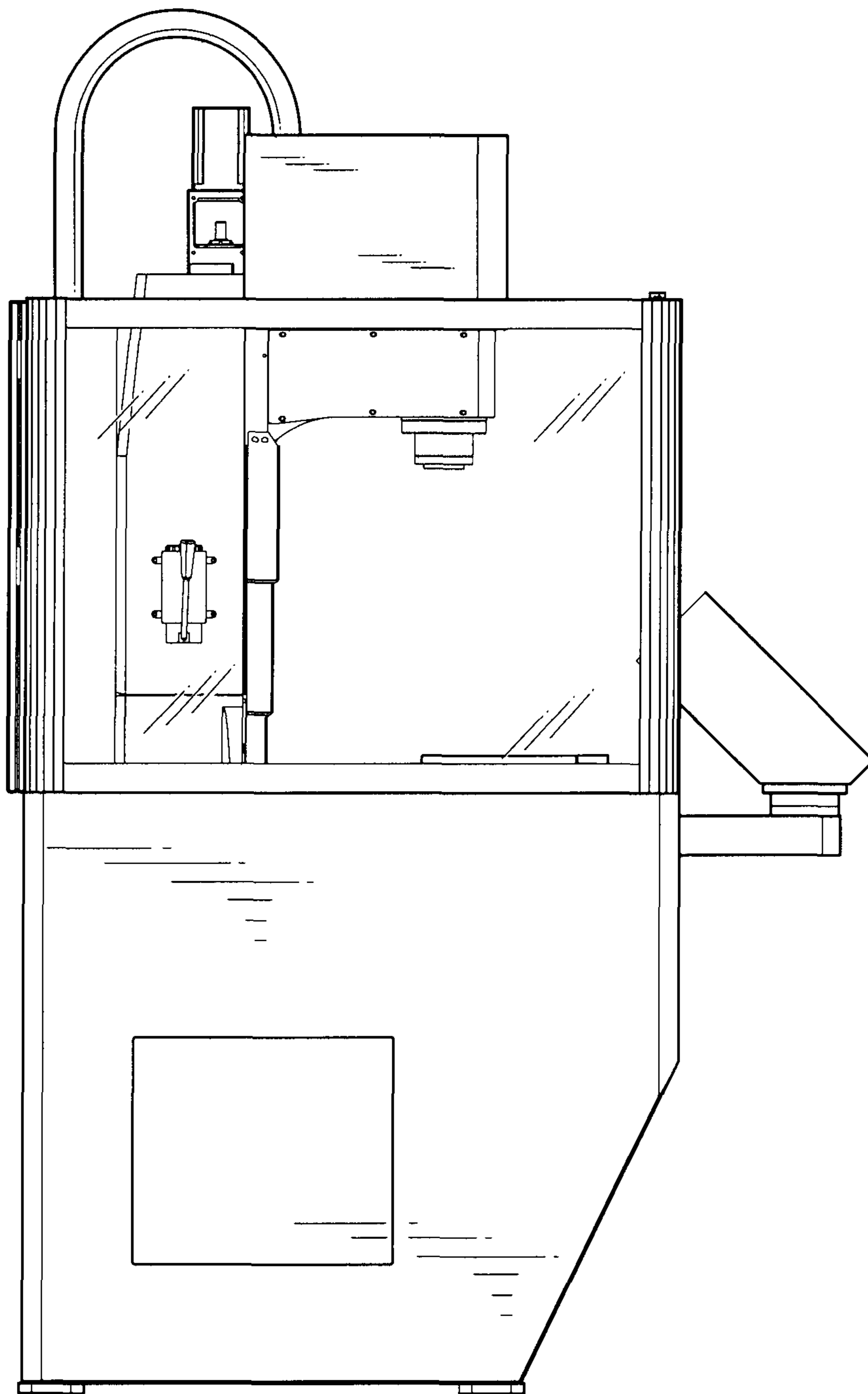


FIG. 4

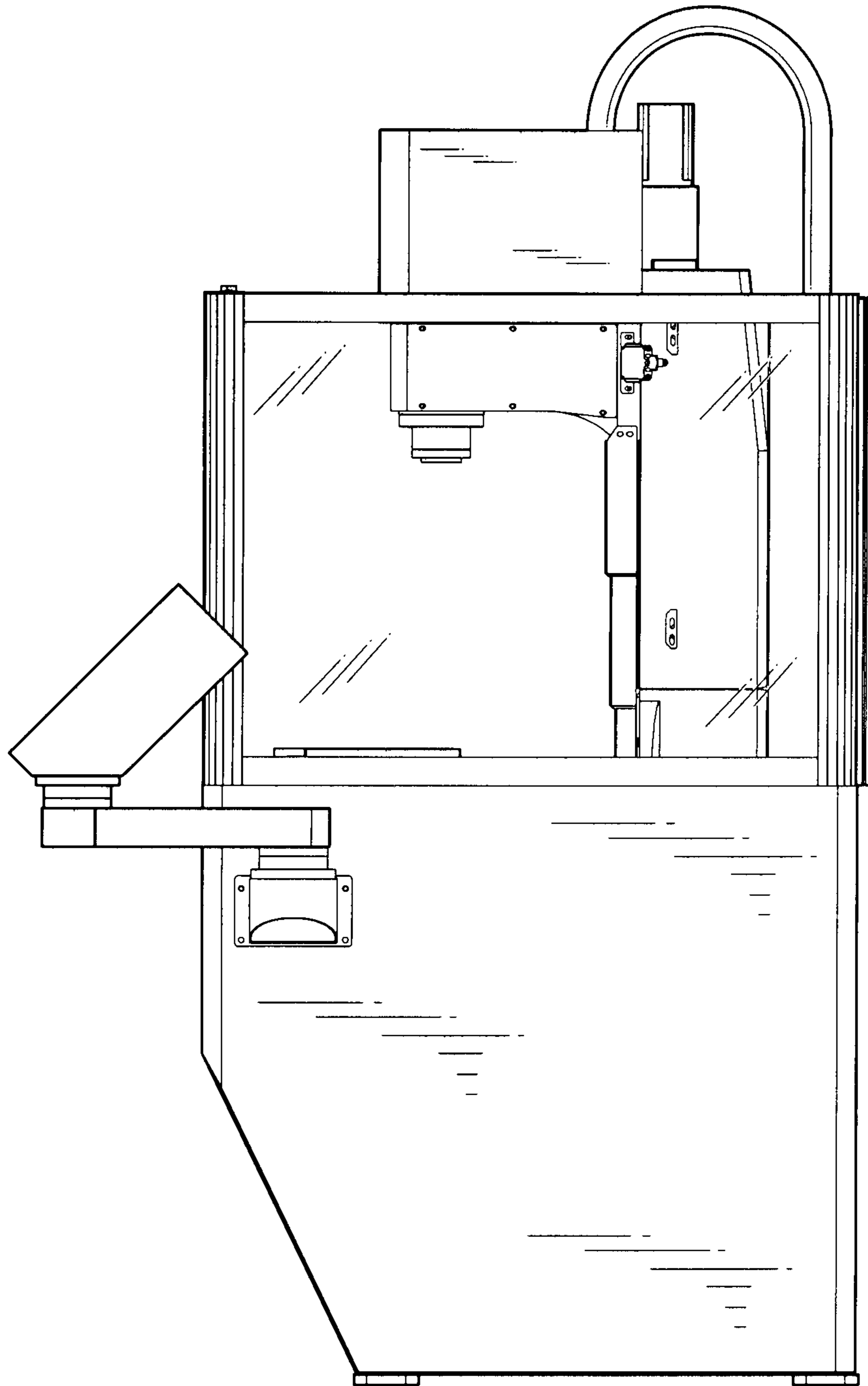


FIG. 5

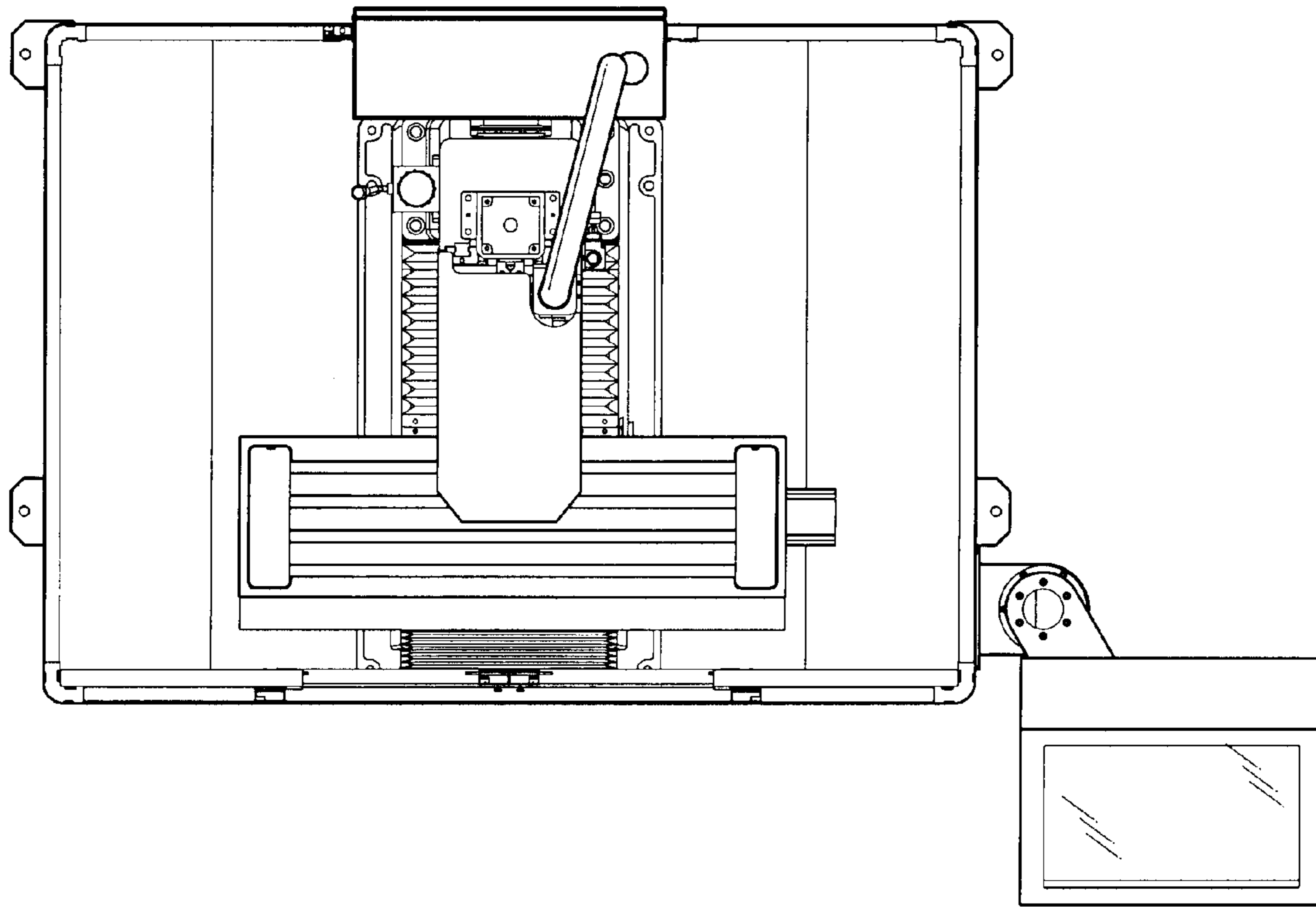


FIG. 6

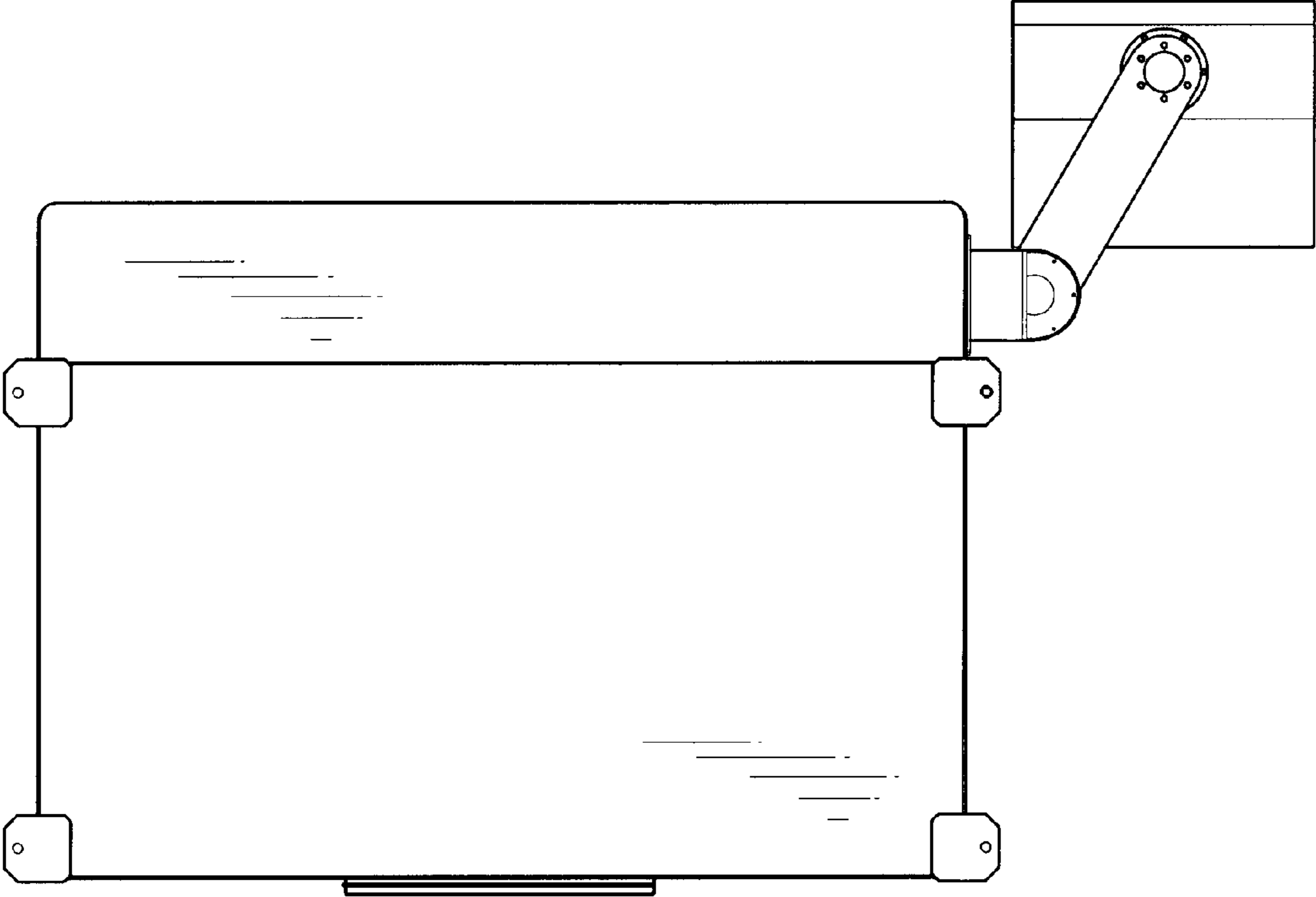


FIG. 7