



US00D681698S

(12) **United States Design Patent**
Meda et al.

(10) **Patent No.:** **US D681,698 S**
(45) **Date of Patent:** **** May 7, 2013**

(54) **REFRIGERATOR DEVICE**

(75) Inventors: **Samuele Meda**, Porcia (IT); **Jan Ctvrtnik**, Porcia (IT)

(73) Assignee: **Electrolux Home Products Corporation N.V.** (BE)

(**) Term: **14 Years**

(21) Appl. No.: **29/423,313**

(22) Filed: **May 30, 2012**

(30) **Foreign Application Priority Data**

Nov. 30, 2011 (EM) 001955105

(51) **LOC (9) Cl.** **15-07**

(52) **U.S. Cl.**
USPC **D15/89**

(58) **Field of Classification Search** D15/78-89;
62/238.5, 187, 276, 404-408; 454/237, 254,
454/275, 339, 370; 312/236

See application file for complete search history.

(56) **References Cited**

U.S. PATENT DOCUMENTS

D395,053	S	*	6/1998	Aske et al.	D15/89
D471,923	S	*	3/2003	Park et al.	D15/89
D511,178	S	*	11/2005	Tunzi	D15/89
D514,138	S	*	1/2006	Jackovin et al.	D15/89
D673,588	S	*	1/2013	Choi et al.	D15/89

* cited by examiner

Primary Examiner — Mitchell Siegel

(74) *Attorney, Agent, or Firm* — Banner & Witcoff, Ltd.

(57) **CLAIM**

The ornamental design for a refrigerator device, as shown and described.

DESCRIPTION

FIG. 1 is a perspective view of a refrigerator device showing our new design;

FIG. 2 is a front view thereof;

FIG. 3 is a rear view thereof;

FIG. 4 is a right side view thereof;

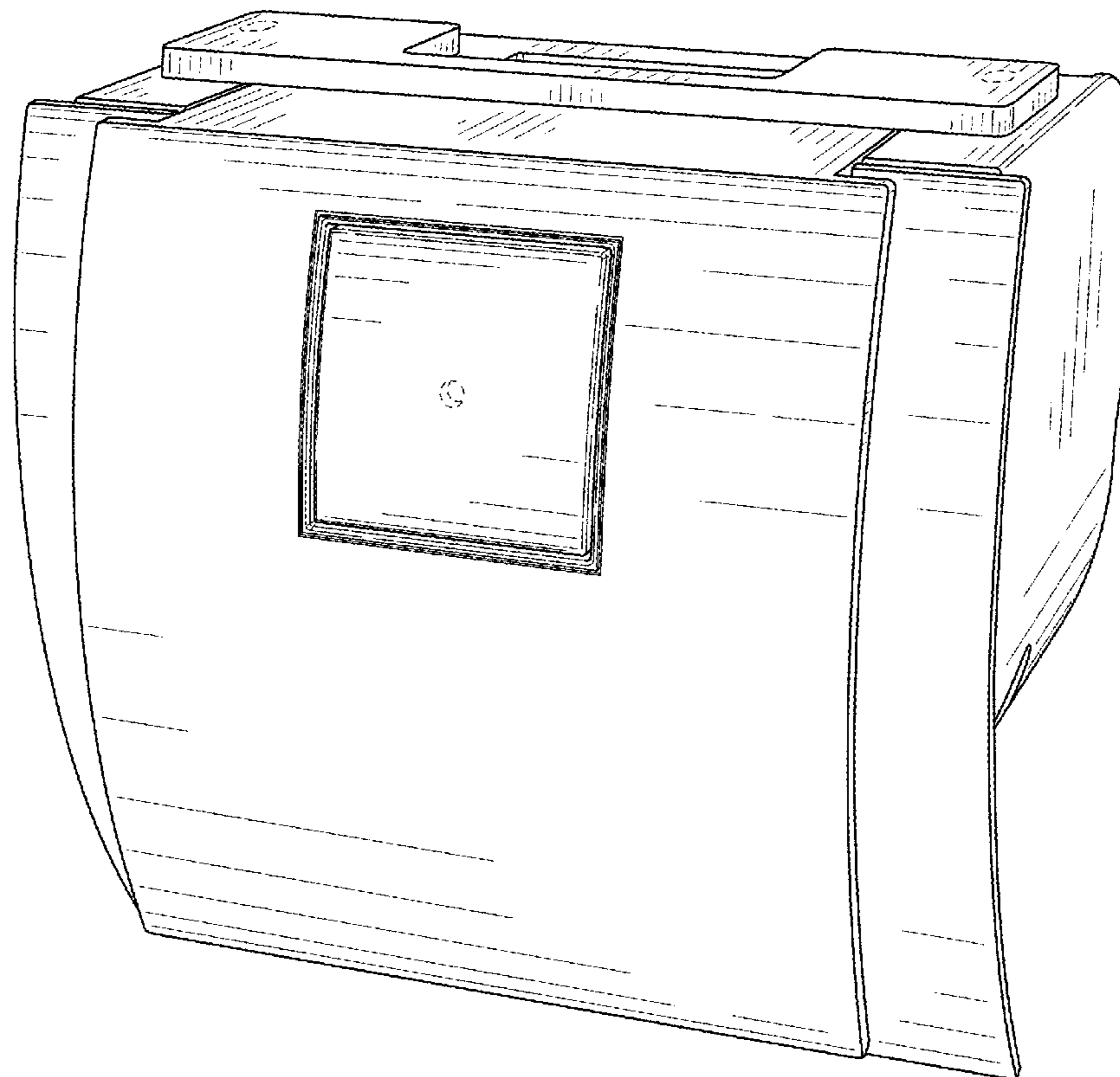
FIG. 5 is a left side view thereof;

FIG. 6 is a top view thereof; and,

FIG. 7 is a bottom view thereof.

The broken line showing of the remainder of the refrigerator device is for environmental purposes only and forms no part of the claimed design.

1 Claim, 7 Drawing Sheets



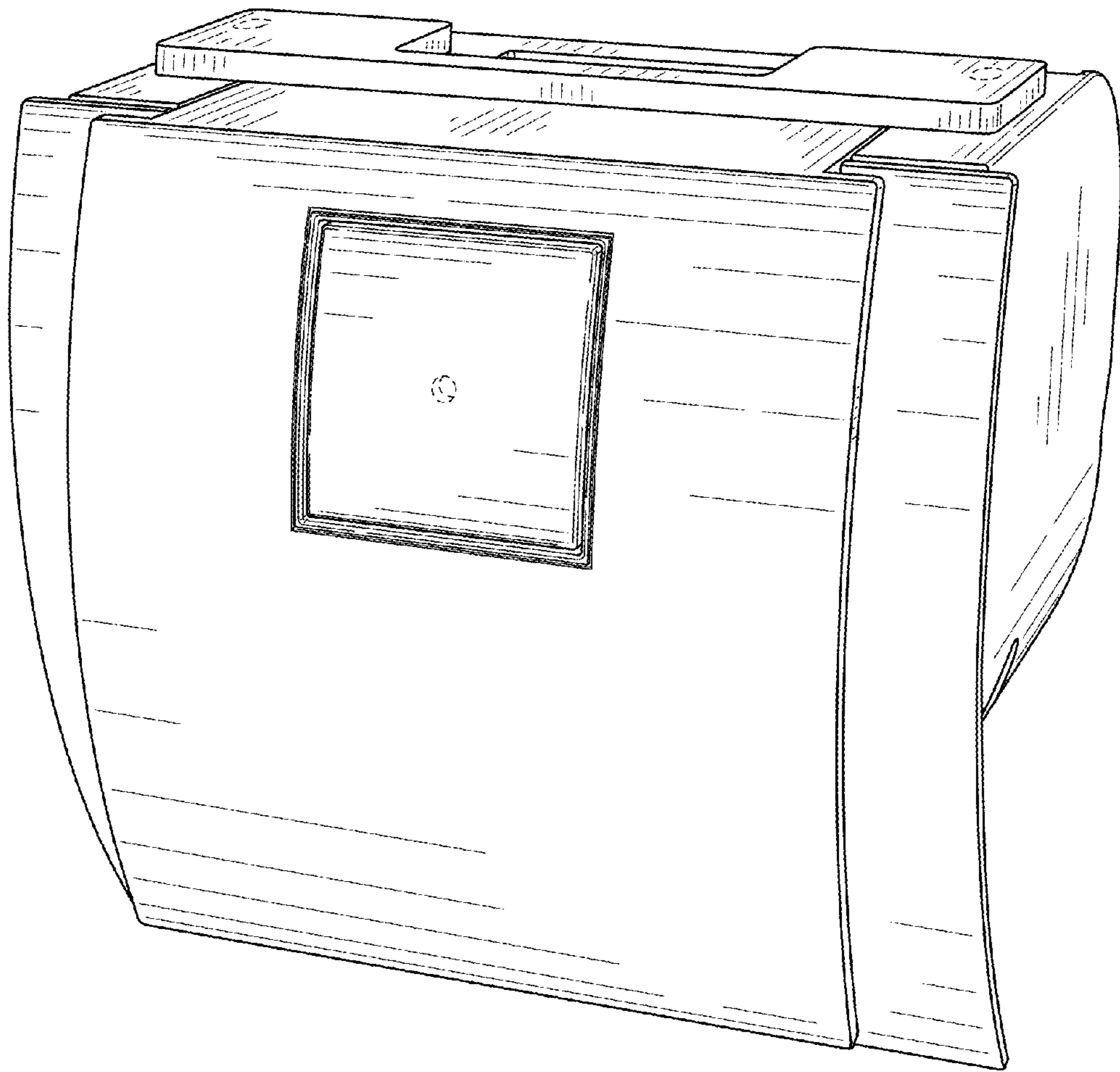


FIG. 1

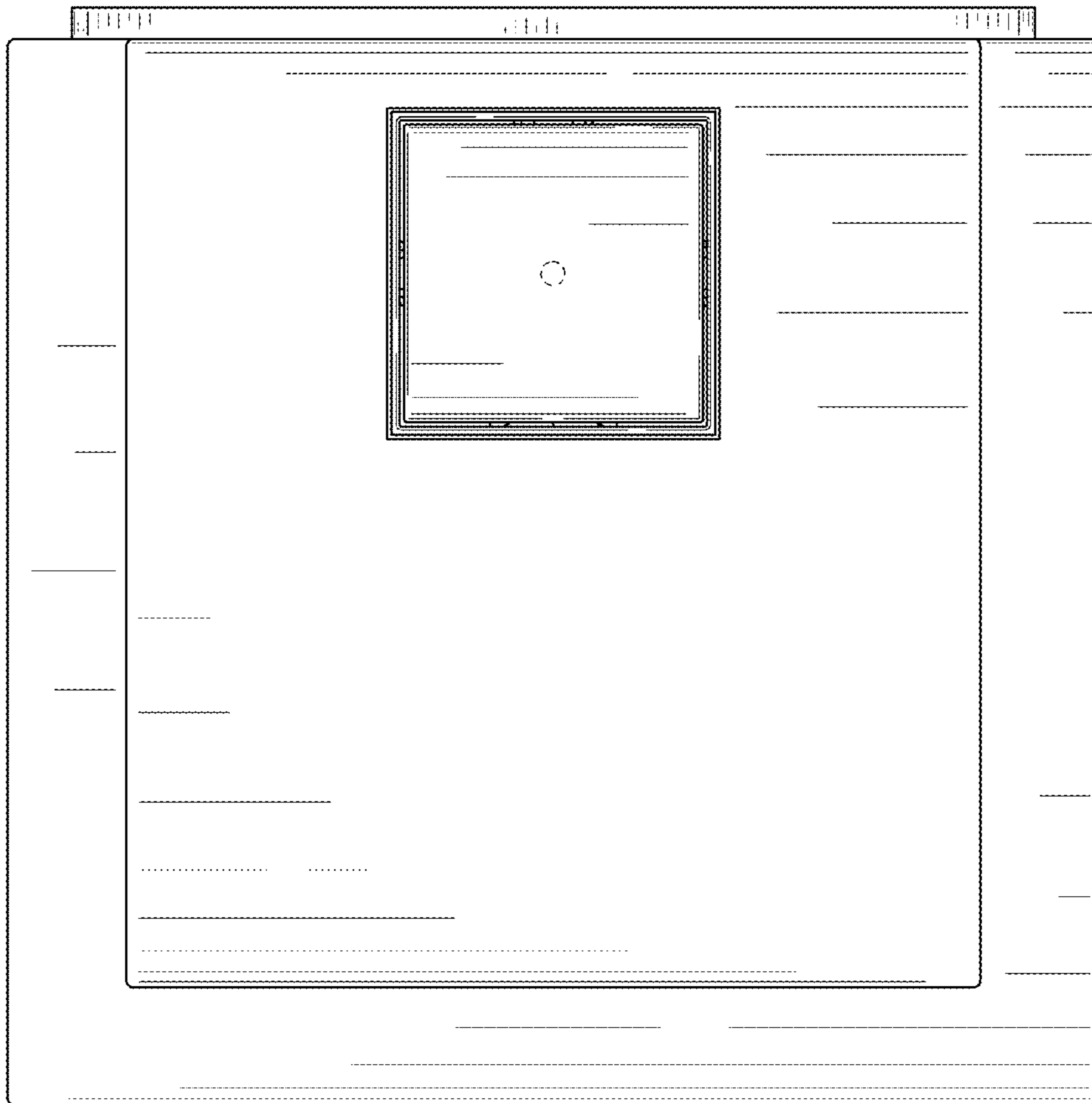


FIG. 2

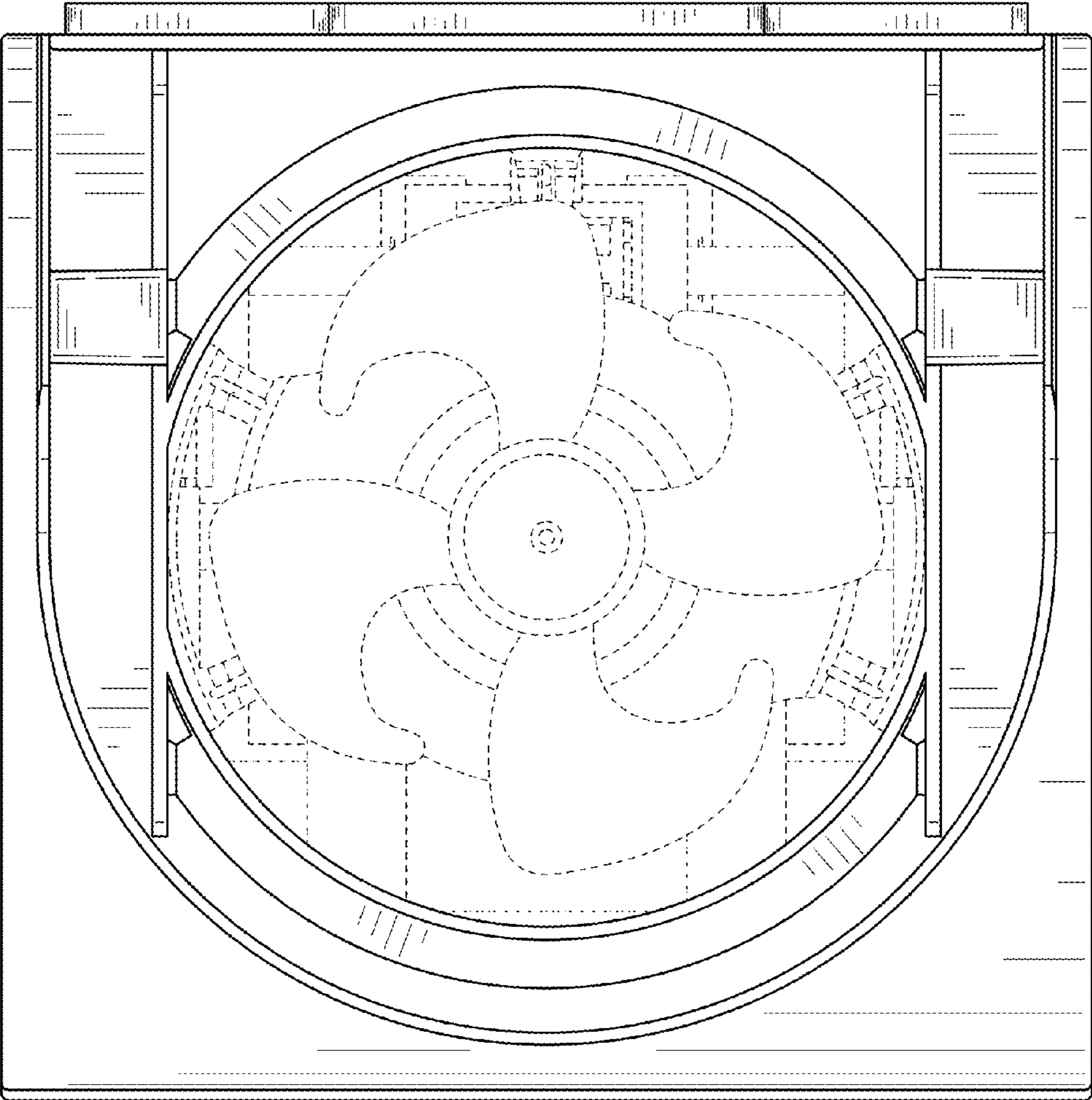


FIG. 3

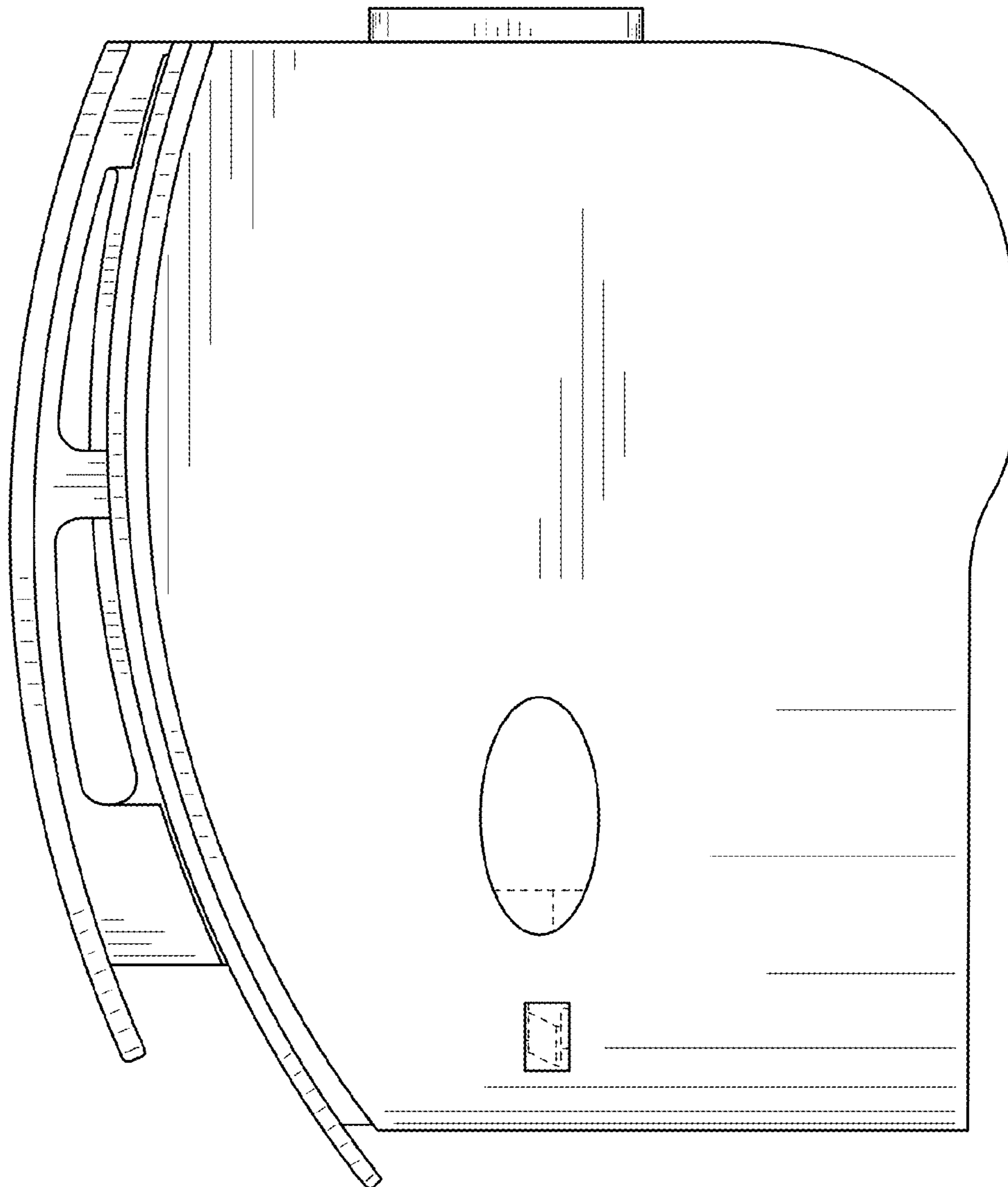


FIG. 4

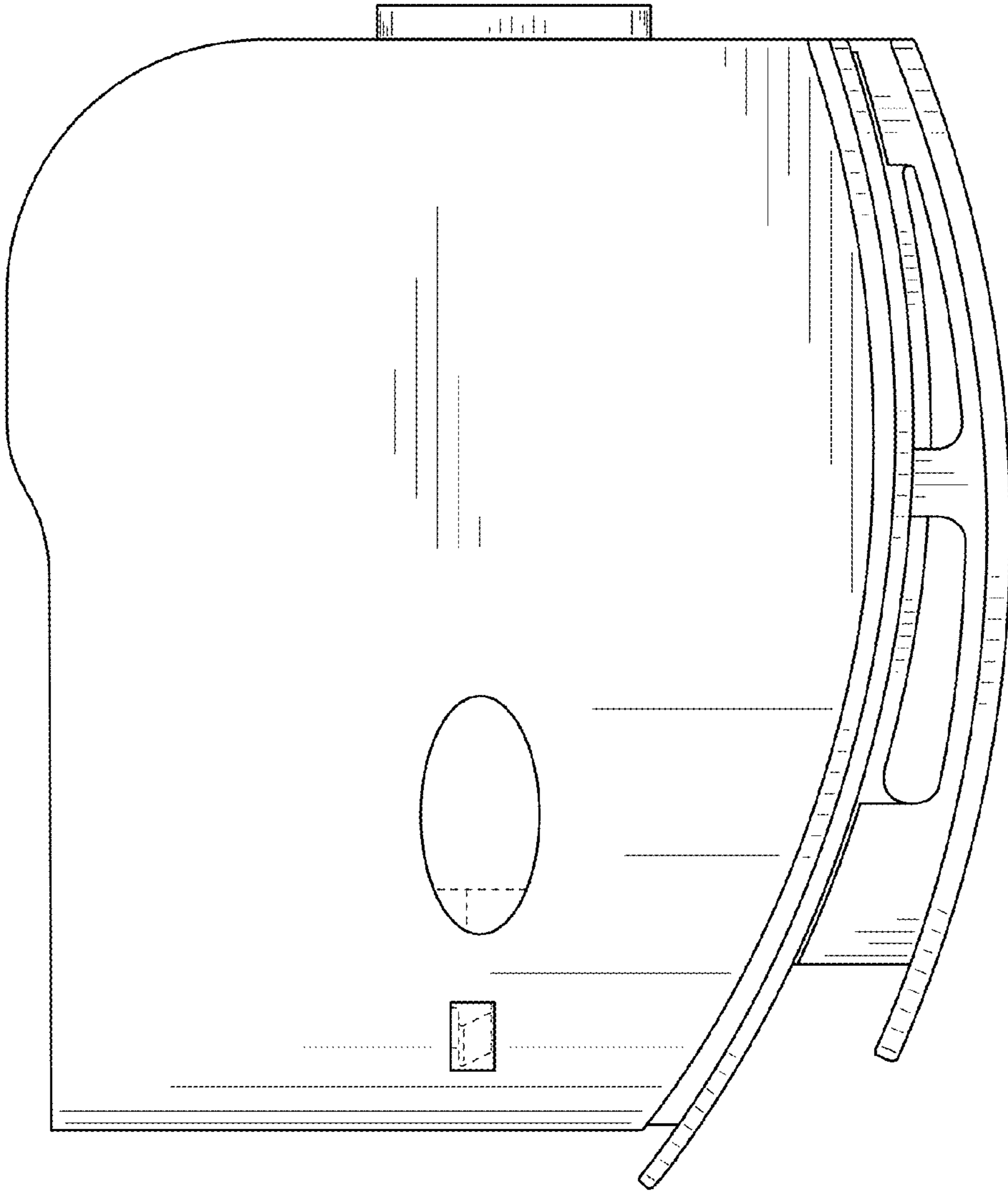


FIG. 5

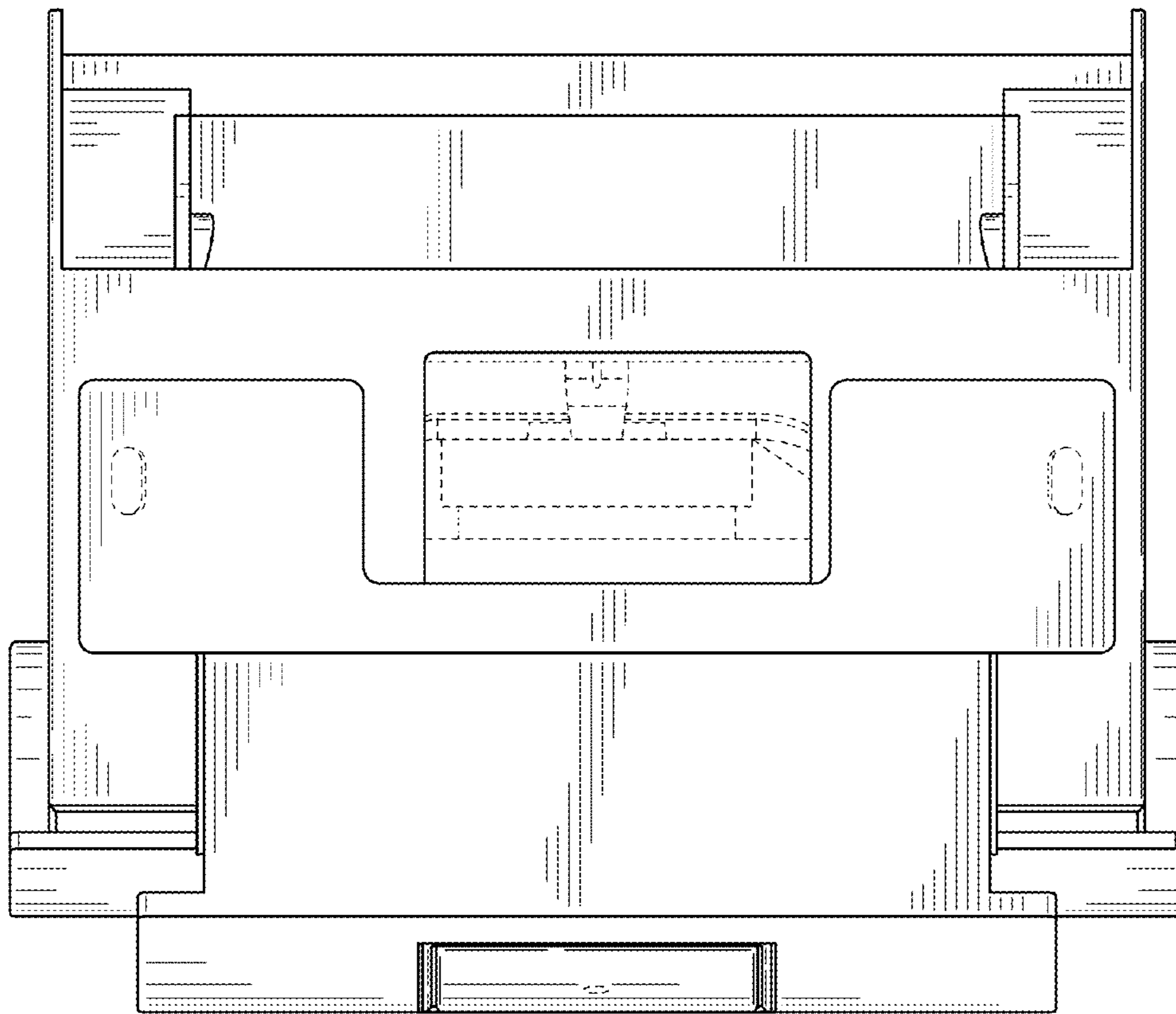


FIG. 6

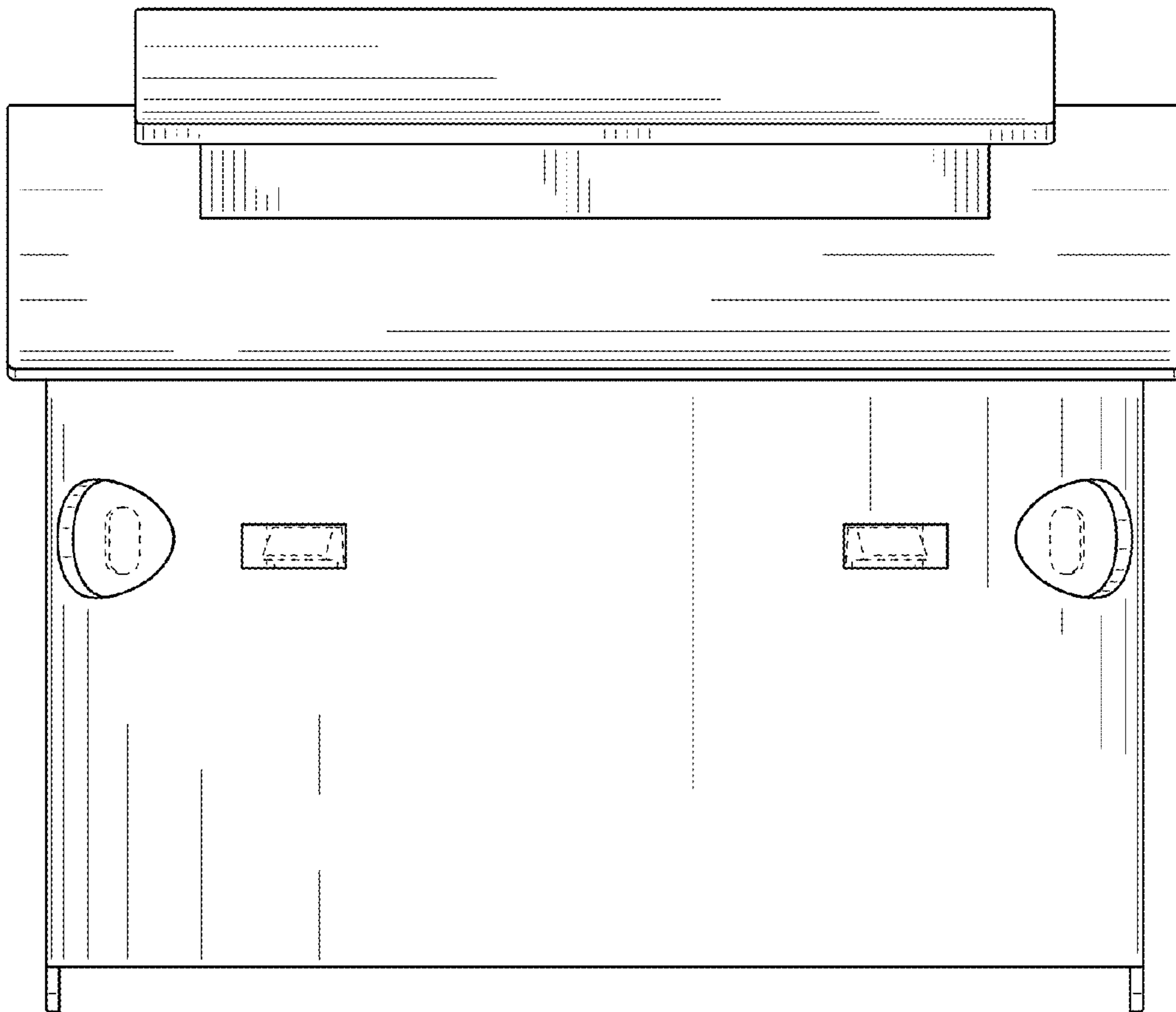


FIG. 7