



US00D681696S

(12) **United States Design Patent**
Meda et al.

(10) **Patent No.:** **US D681,696 S**

(45) **Date of Patent:** **** May 7, 2013**

(54) **TOP PANEL FOR A REFRIGERATOR**

(75) Inventors: **Samuele Meda**, Porcia (IT); **Jan Ctvrtnik**, Porcia (IT)

(73) Assignee: **Electrolux Home Products Corporation N.V.** (BE)

(**) Term: **14 Years**

(21) Appl. No.: **29/423,309**

(22) Filed: **May 30, 2012**

(30) **Foreign Application Priority Data**

Nov. 30, 2011 (EM) 001955105

(51) **LOC (9) Cl.** **15-07**

(52) **U.S. Cl.**
USPC **D15/89**

(58) **Field of Classification Search** D15/78-89;
D6/509, 470, 472; 62/246-255, 331, 337,
62/440-449; 312/114-117, 128, 236, 400-408

See application file for complete search history.

(56) **References Cited**

U.S. PATENT DOCUMENTS

D419,572 S *	1/2000	Bardin et al.	D6/509
D424,582 S *	5/2000	Bardin et al.	D6/509
D518,493 S *	4/2006	Sato et al.	D15/89
D518,836 S *	4/2006	Reese et al.	D15/89
D565,063 S *	3/2008	Doberstein et al.	D15/89
D613,315 S *	4/2010	Crookshanks	D15/89

* cited by examiner

Primary Examiner — Mitchell Siegel

(74) *Attorney, Agent, or Firm* — Banner & Witcoff, Ltd.

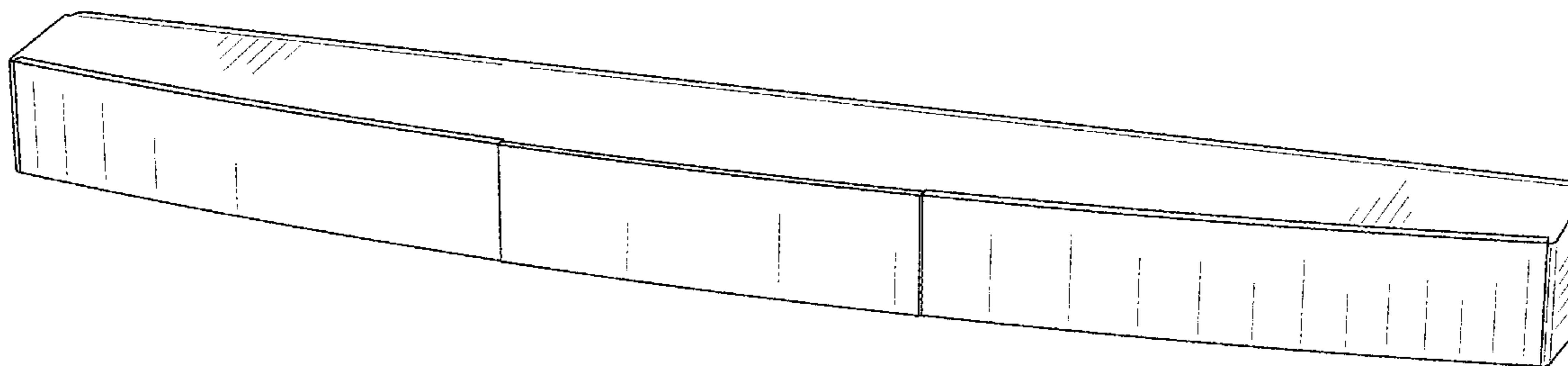
(57) **CLAIM**

The ornamental design for a top panel for a refrigerator, as shown and described.

DESCRIPTION

FIG. 1 is a perspective view of a top panel for a refrigerator showing our new design; and, FIG. 2 is a front view thereof.

1 Claim, 2 Drawing Sheets



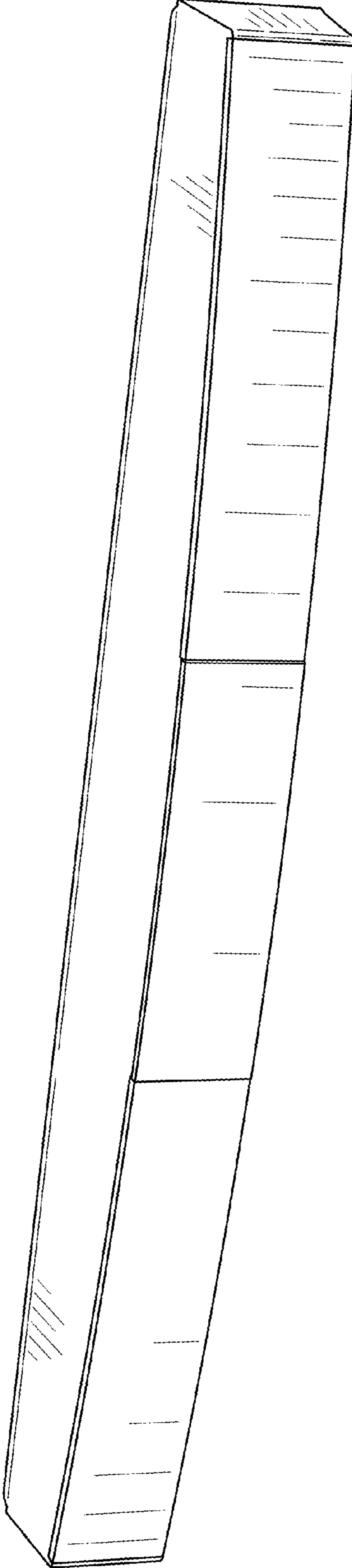


FIG. 1

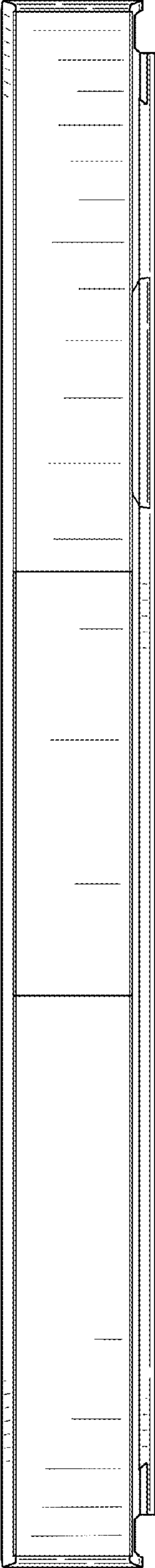


FIG. 2