



US00D681695S

(12) **United States Design Patent**
Lee et al.

(10) **Patent No.:** **US D681,695 S**

(45) **Date of Patent:** **** *May 7, 2013**

(54) **REFRIGERATOR**

(75) Inventors: **Hang Bok Lee**, Gyeonggi-do (KR);
Kyung Soo Park, Seoul (KR); **Seon Kyu Kim**, Seoul (KR); **Hyok Ku Kwon**, Seoul (KR); **Kyu Tae Park**, Gyeonggi-do (KR)

(73) Assignee: **LG Electronics Inc.**, Seoul (KR)

(*) Notice: This patent is subject to a terminal disclaimer.

(**) Term: **14 Years**

(21) Appl. No.: **29/411,327**

(22) Filed: **Jan. 19, 2012**

(30) **Foreign Application Priority Data**

Aug. 5, 2011 (KR) 30-2011-0032916

(51) **LOC (9) Cl.** **15-07**

(52) **U.S. Cl.**
USPC **D15/86**

(58) **Field of Classification Search** D15/79-90;
62/3.6, 3.63, 3.64, 293, 331, 371, 440-445,
62/467; 312/112-119, 236, 440-408, 138.1,
312/139.1

See application file for complete search history.

(56) **References Cited**

U.S. PATENT DOCUMENTS

D190,453	S	*	5/1961	Munz et al.	D15/86
D541,828	S	*	5/2007	Nishibori	D15/87
D615,564	S	*	5/2010	Kristiansen et al.	D15/86
D629,021	S	*	12/2010	Cho et al.	D15/85
D655,321	S	*	3/2012	Lee et al.	D15/86
D658,215	S	*	4/2012	Seo et al.	D15/86

* cited by examiner

Primary Examiner — Mitchell Siegel

(74) *Attorney, Agent, or Firm* — Morgan, Lewis & Bockius LLP

(57) **CLAIM**

We claim the ornamental design for a refrigerator, as shown and described.

DESCRIPTION

FIG. 1 is a perspective view of a refrigerator showing our new design:

FIG. 2 is a front elevation view thereof;

FIG. 3 is a rear elevation view thereof;

FIG. 4 is a left-side elevation view thereof;

FIG. 5 is a right-side elevation view thereof;

FIG. 6 is a top plan view thereof; and,

FIG. 7 is a bottom plan view thereof.

1 Claim, 6 Drawing Sheets

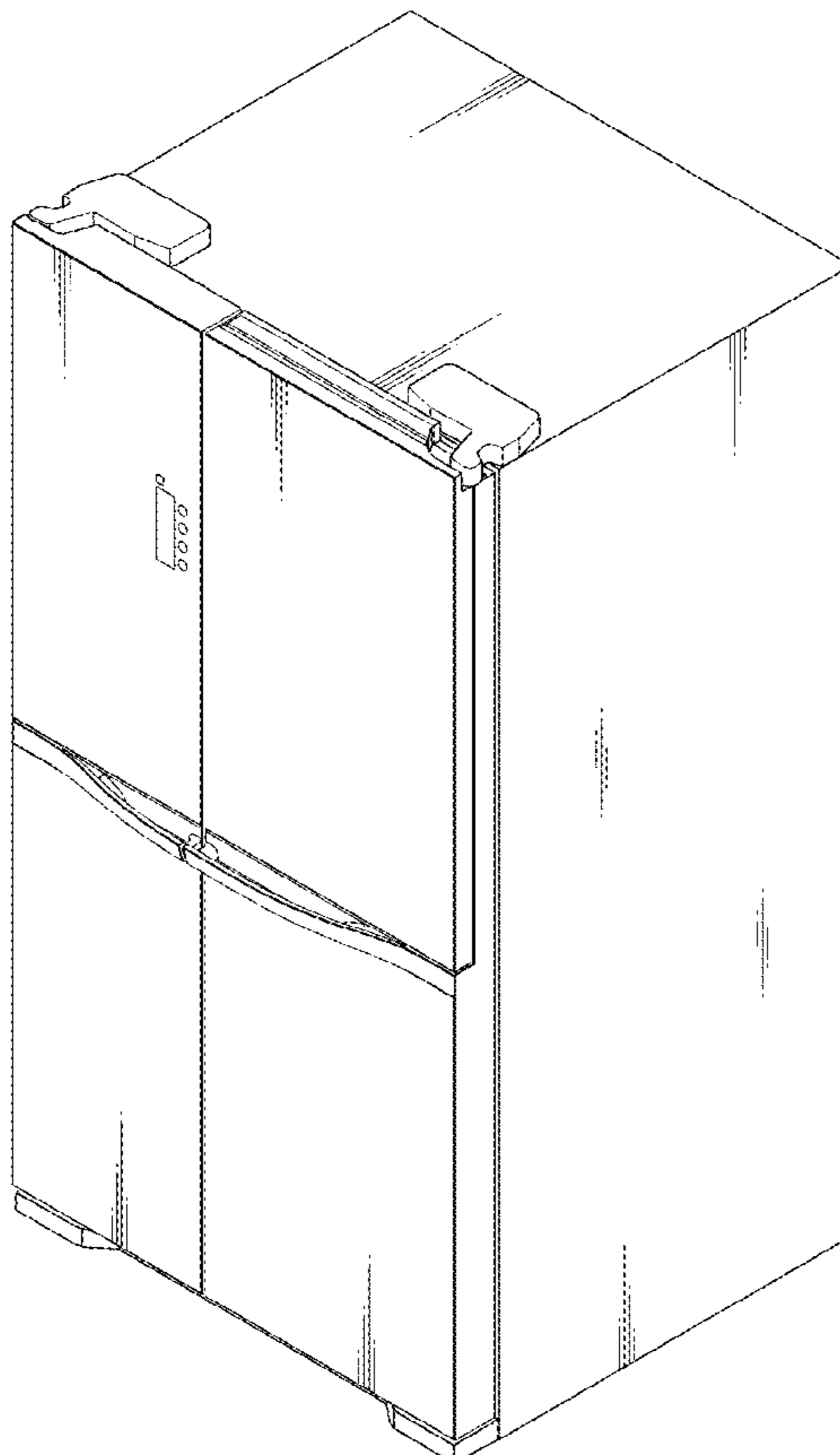


FIG. 1

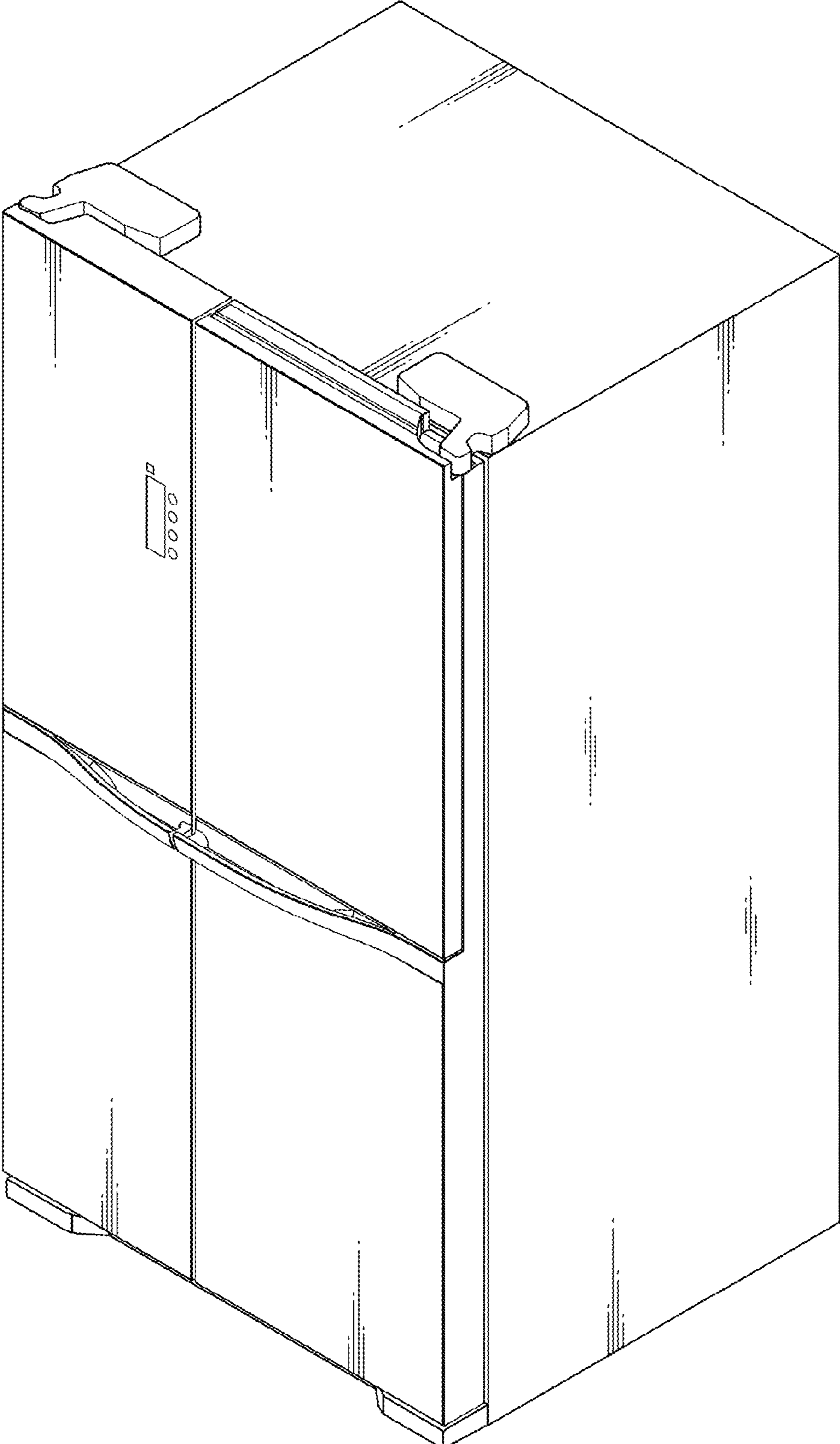


FIG. 2

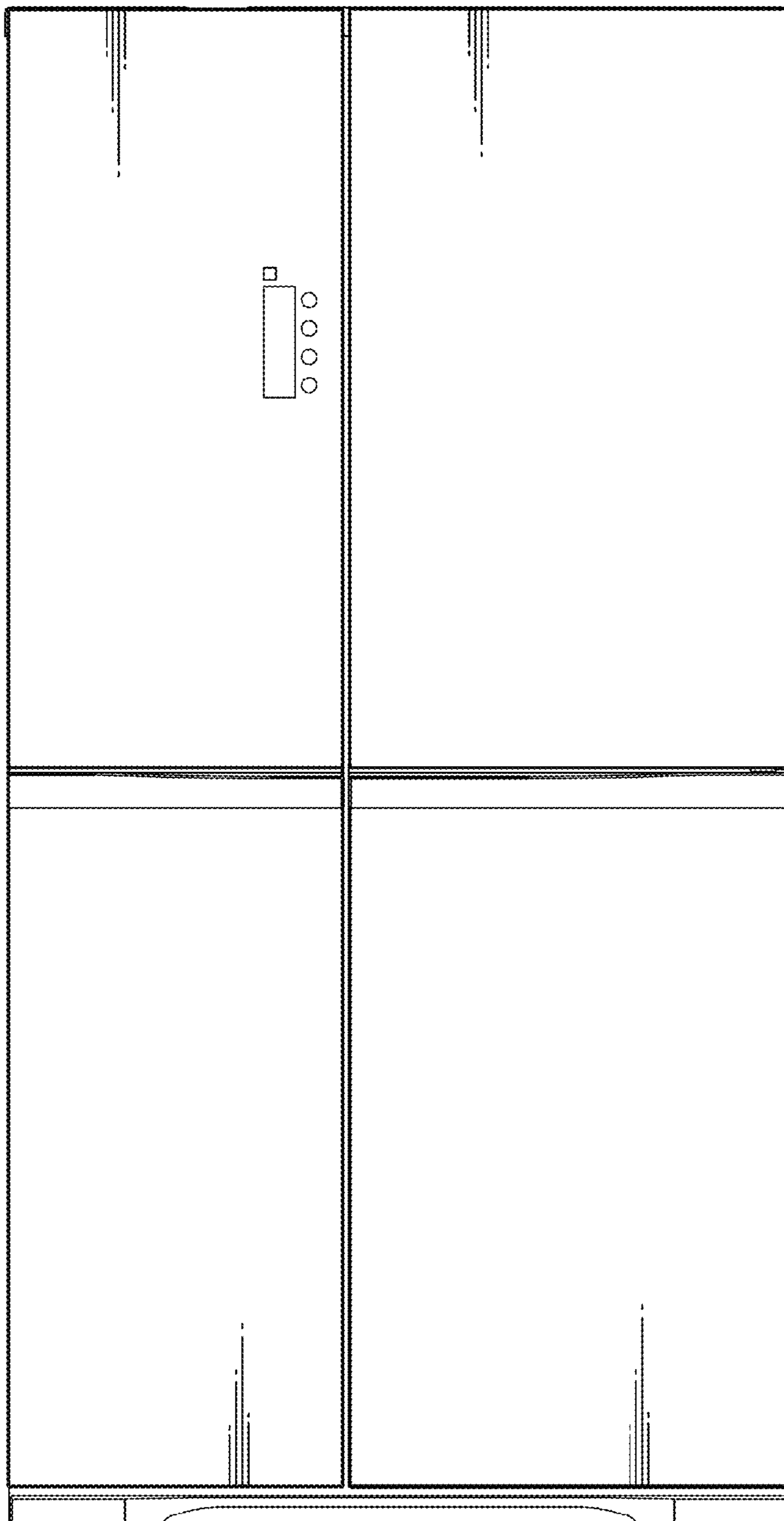


FIG. 3

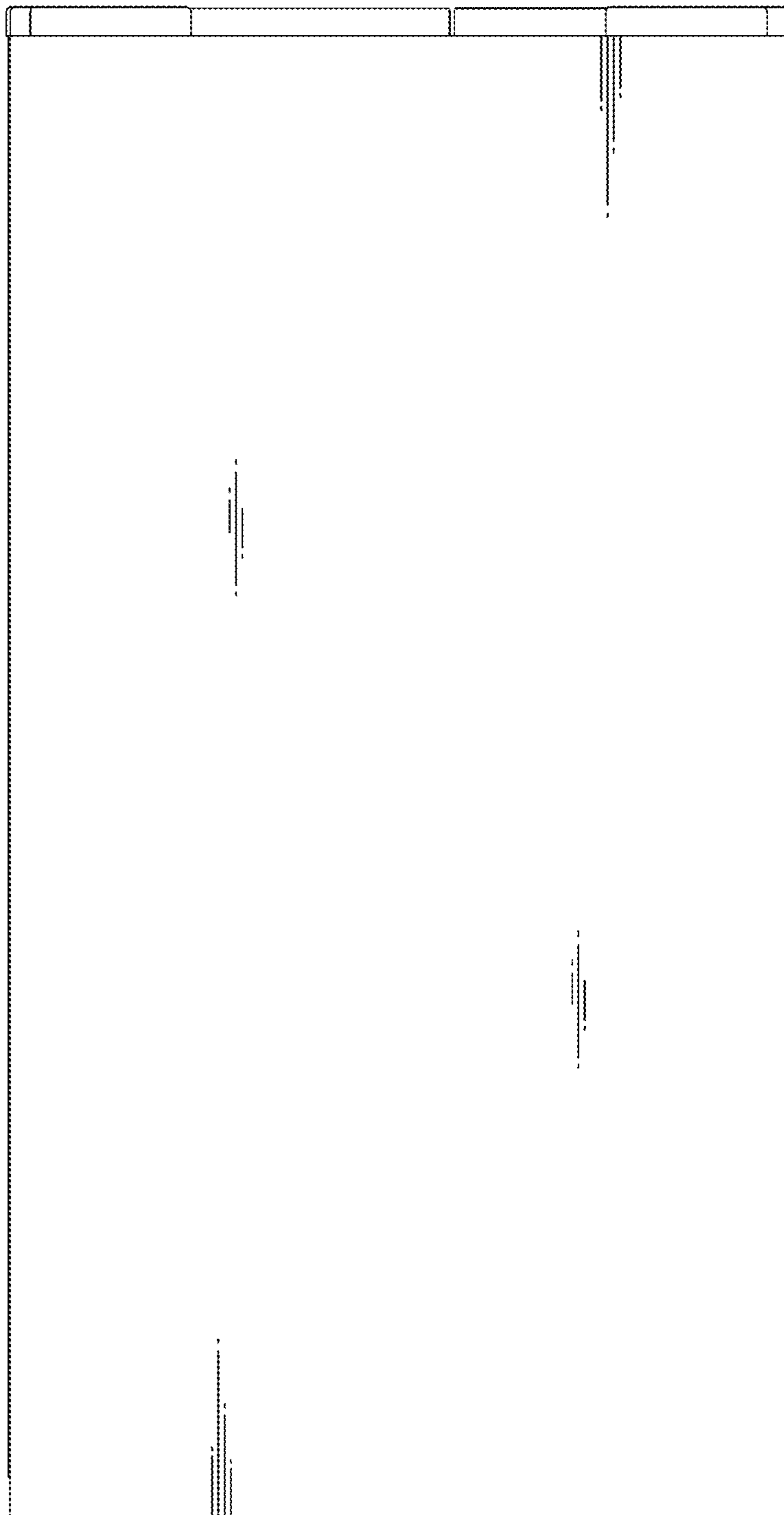


FIG. 4

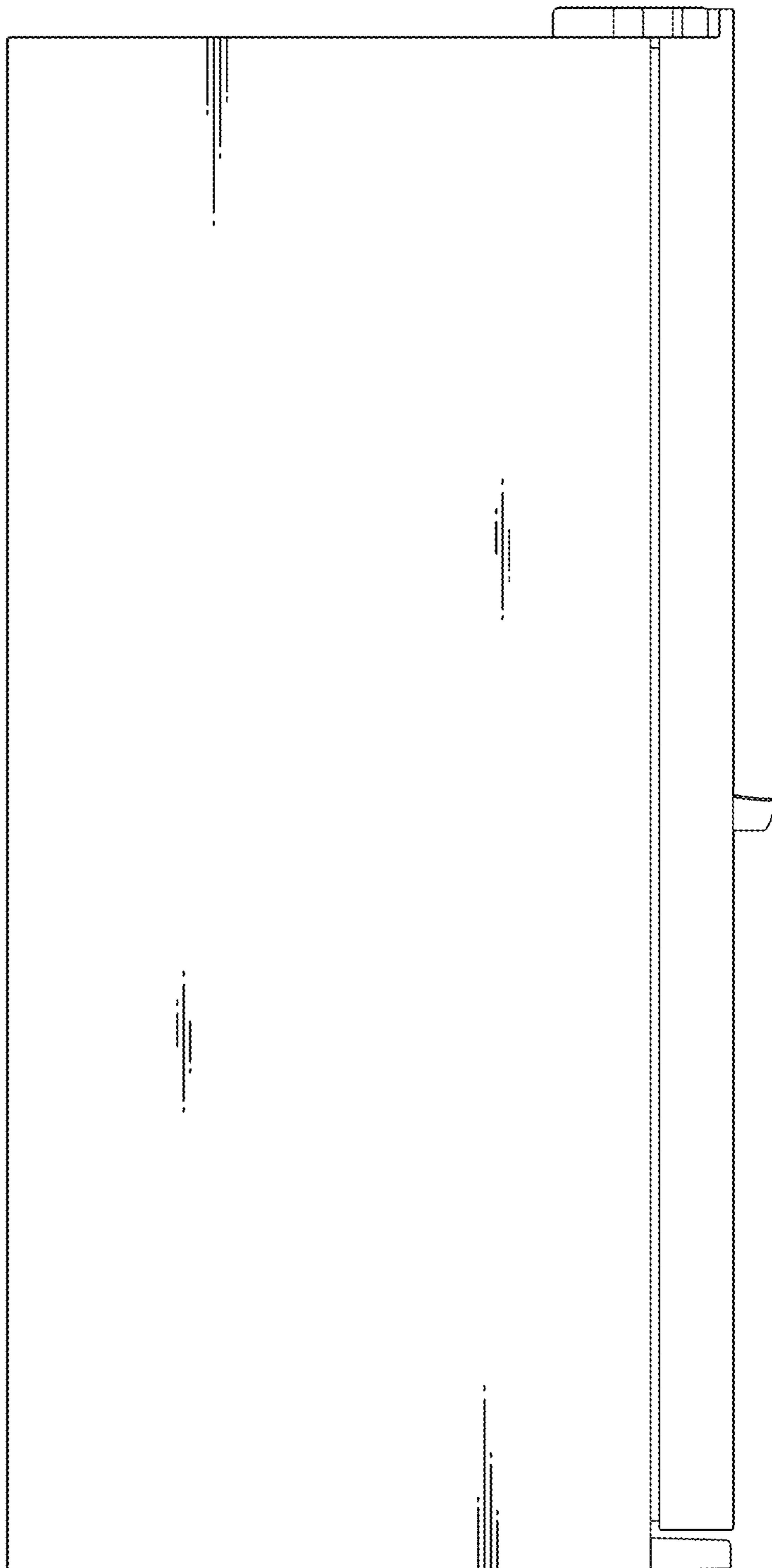


FIG. 5

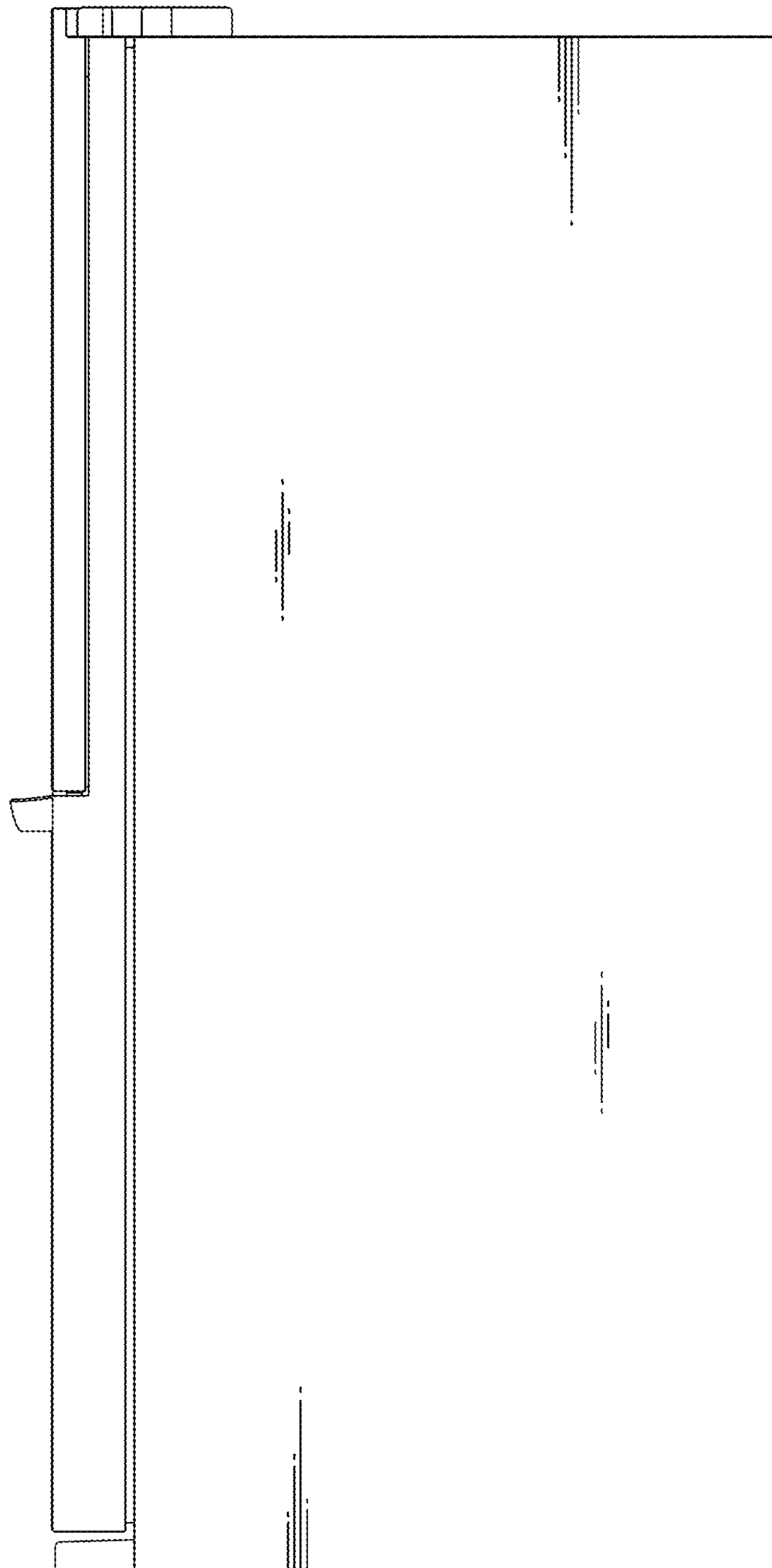


FIG. 6

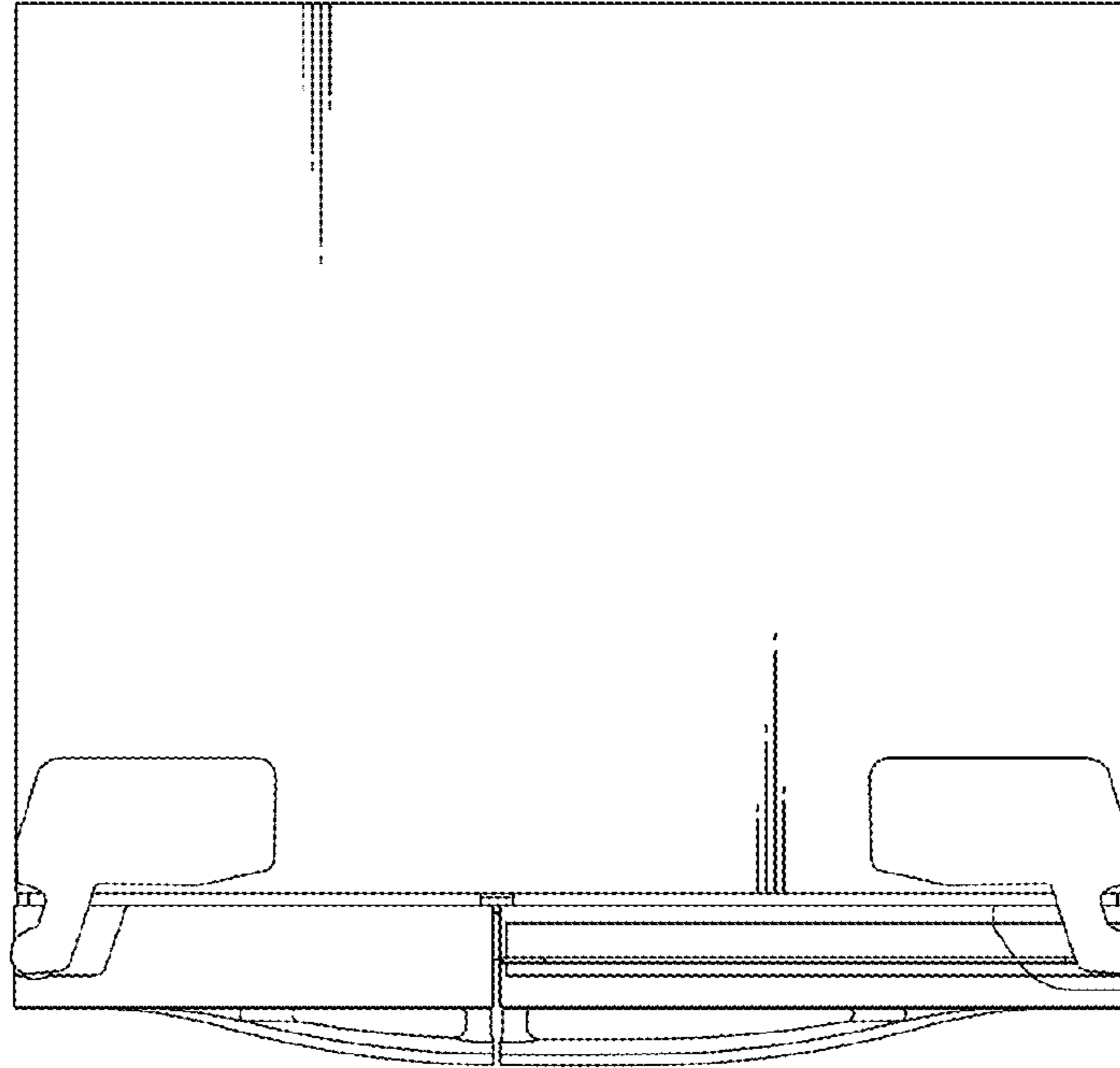


FIG. 7

