



US00D681691S

(12) **United States Design Patent**
Takagi et al.

(10) **Patent No.:** **US D681,691 S**
(45) **Date of Patent:** **** May 7, 2013**

- (54) **CABIN OF WORKING VEHICLE**
- (71) Applicant: **Iseki & Co., Ltd.**, Ehime-ken (JP)
- (72) Inventors: **Makoto Takagi**, Ehime-ken (JP); **Shohei Kurokawa**, Ehime-ken (JP); **Takeshi Hagiya**, Ehime-ken (JP)
- (73) Assignee: **Iseki & Co., Ltd.**, Matsuyama-shi (JP)
- (**) Term: **14 Years**
- (21) Appl. No.: **29/434,806**
- (22) Filed: **Oct. 17, 2012**

D463,462 S *	9/2002	Yanagida et al.	D15/30
D479,536 S *	9/2003	Dahl et al.	D15/30
D497,920 S *	11/2004	Antonetti	D15/30
D523,029 S *	6/2006	Crawford et al.	D15/30
D528,134 S *	9/2006	Vandendriessche et al.	..	D15/30
D531,647 S *	11/2006	Stender et al.	D15/30
D541,825 S *	5/2007	Pettersson	D15/30
D541,826 S *	5/2007	Brush et al.	D15/30
D561,205 S *	2/2008	Pettersson	D15/30
D579,028 S *	10/2008	VanDeVeer et al.	D15/30
D605,207 S *	12/2009	Menges et al.	D15/30
D614,674 S *	4/2010	Hobenshield et al.	D15/30
D635,156 S *	3/2011	Berning et al.	D15/30
D636,795 S *	4/2011	Yamamoto et al.	D15/30
D637,630 S *	5/2011	Yamamoto et al.	D15/30
D642,205 S *	7/2011	Yamamoto et al.	D15/30

* cited by examiner

- (30) **Foreign Application Priority Data**
Apr. 18, 2012 (JP) 2012-009066
- (51) **LOC (9) Cl.** **15-03**
- (52) **U.S. Cl.**
USPC **D15/30**
- (58) **Field of Classification Search** D15/10,
D15/22-26, 28, 30, 31; 180/89.11, 89.12,
180/89.13, 89.19, 900; 296/190.01, 190.08,
296/210, 190, 202
See application file for complete search history.

Primary Examiner — Mark Goodwin
(74) *Attorney, Agent, or Firm* — Oblon, Spivak,
McClelland, Maier & Neustadt, L.L.P.

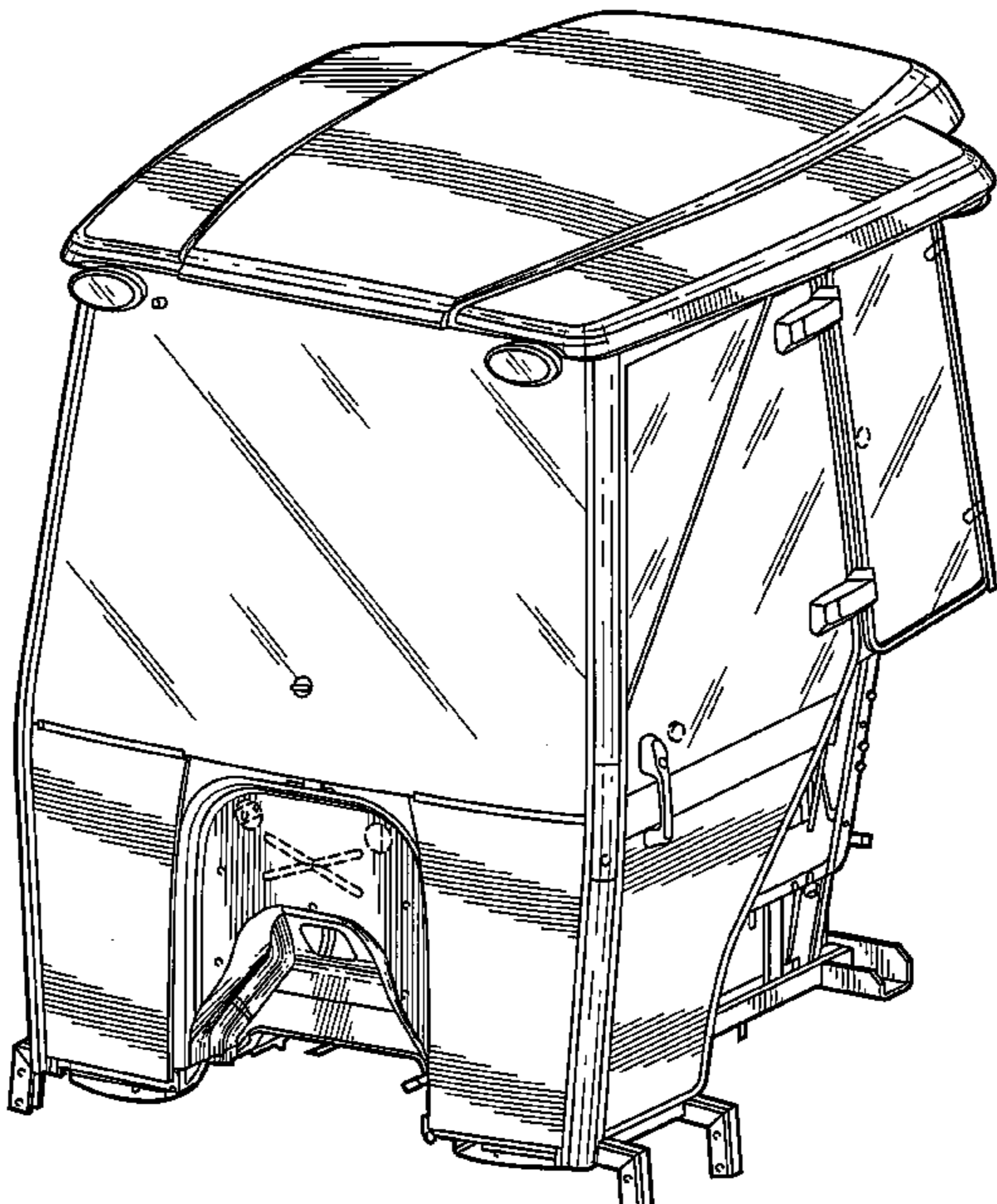
- (56) **References Cited**
U.S. PATENT DOCUMENTS
D249,523 S * 9/1978 Segales D15/30
D273,494 S * 4/1984 Hurlburt et al. D15/30
D275,199 S * 8/1984 Schmidt et al. D15/30
D288,206 S * 2/1987 Moscovitch D15/30
D292,632 S * 11/1987 Lich D34/37
D323,659 S * 2/1992 Jacobsson D15/30
D348,270 S * 6/1994 Lehmann-Brendel et al. D15/30
D366,267 S * 1/1996 Lepoix D15/30

(57) **CLAIM**
The ornamental design for a cabin of a working vehicle, as shown and described.

DESCRIPTION

FIG. 1 is a front, top, and right side perspective view of a cabin of a working vehicle;
FIG. 2 is a front elevational view thereof;
FIG. 3 is a rear elevational view thereof;
FIG. 4 is a right side elevational view thereof;
FIG. 5 is a left side elevational view thereof;
FIG. 6 is a top plan view thereof; and,
FIG. 7 is a bottom plan view thereof.
The broken lines in the drawings depict environmental subject matter only and form no part of the claimed design.

1 Claim, 7 Drawing Sheets



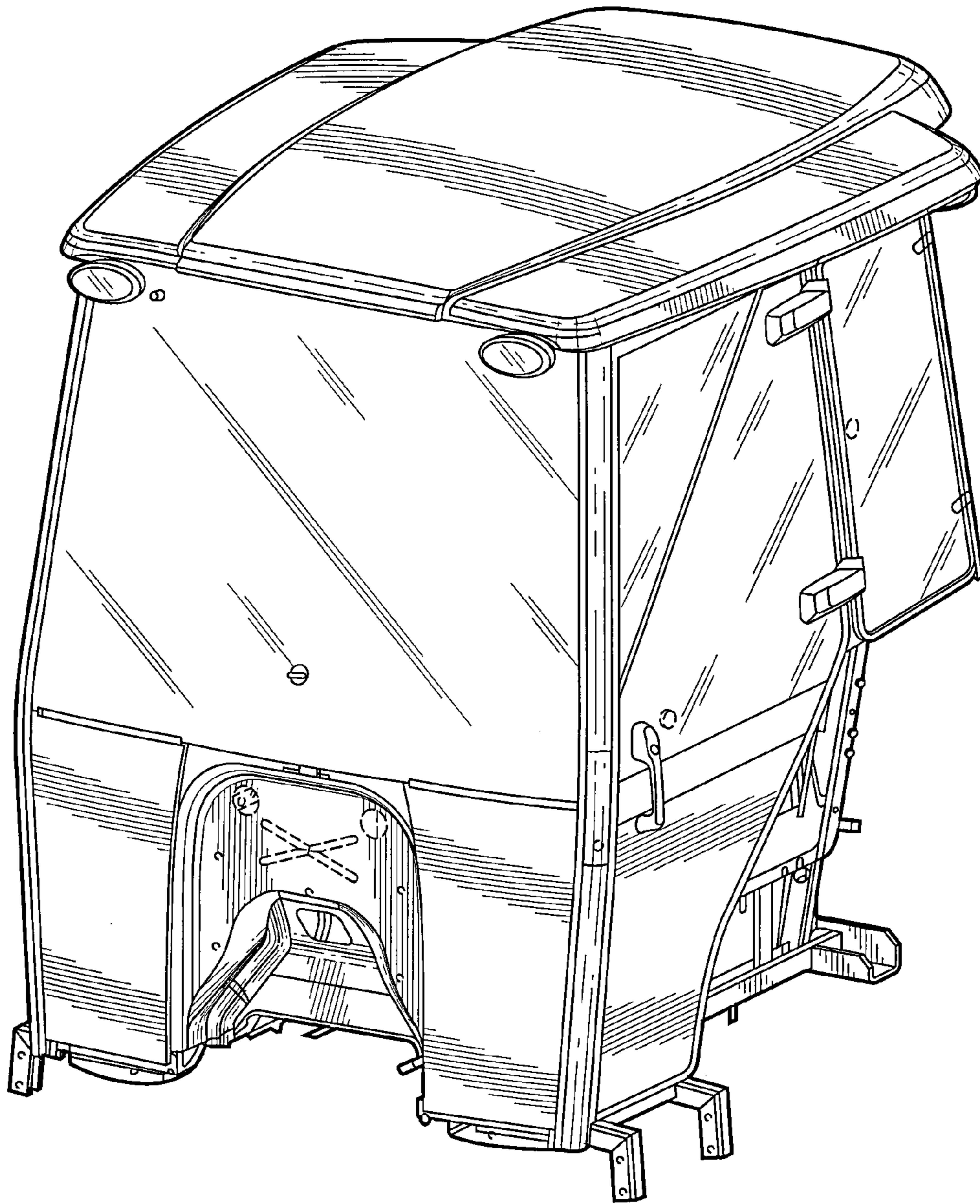


Fig. 1

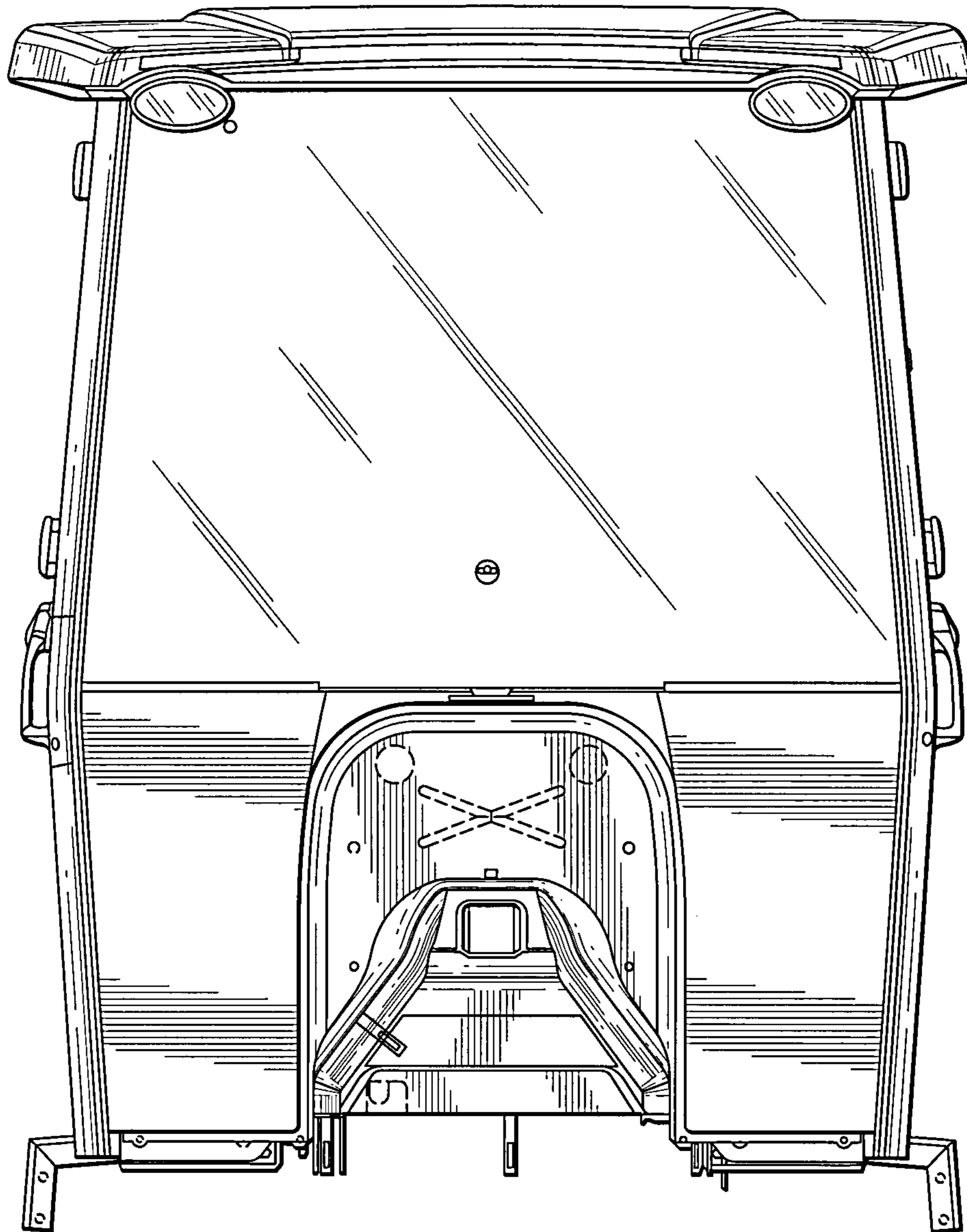


Fig. 2

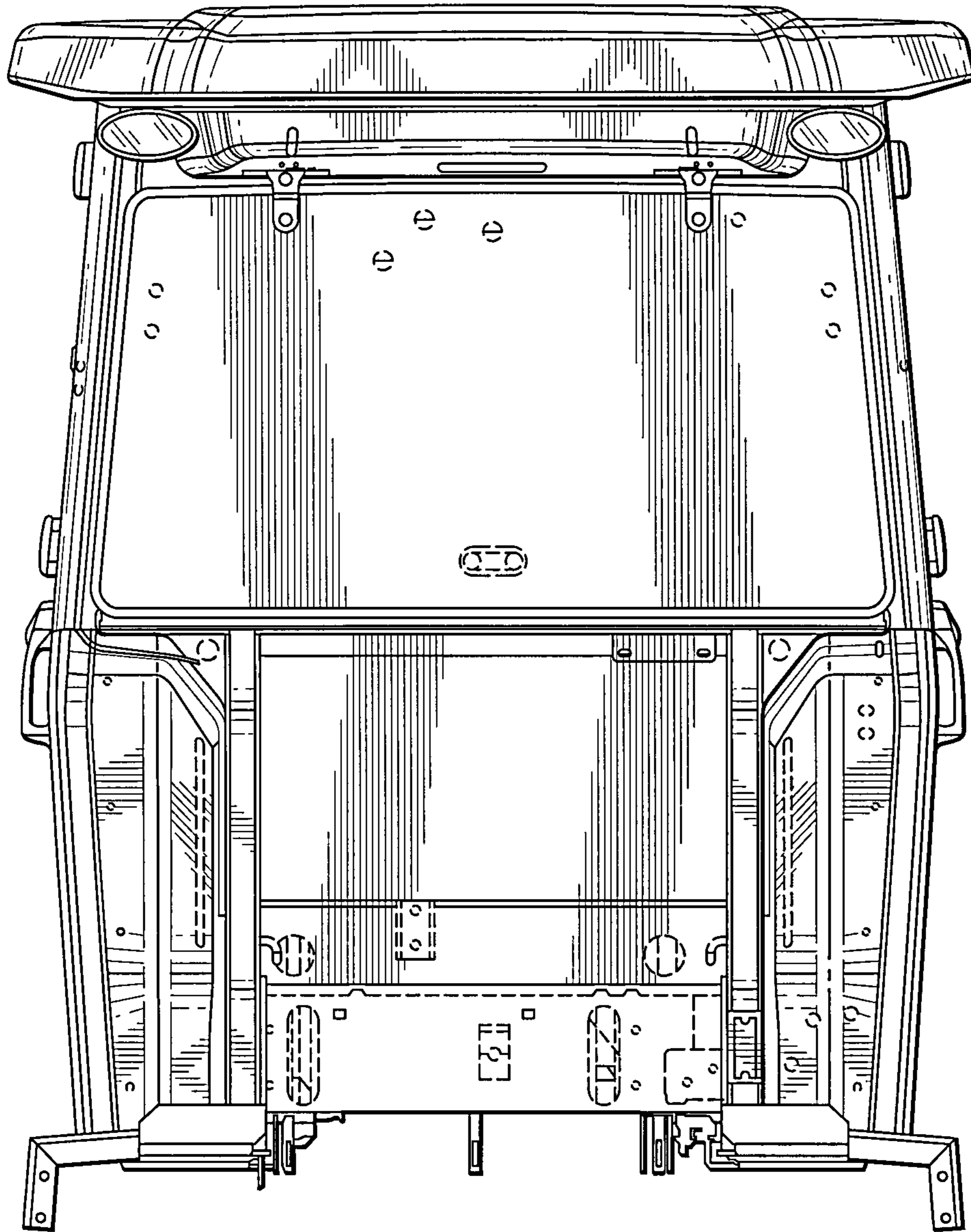


Fig. 3

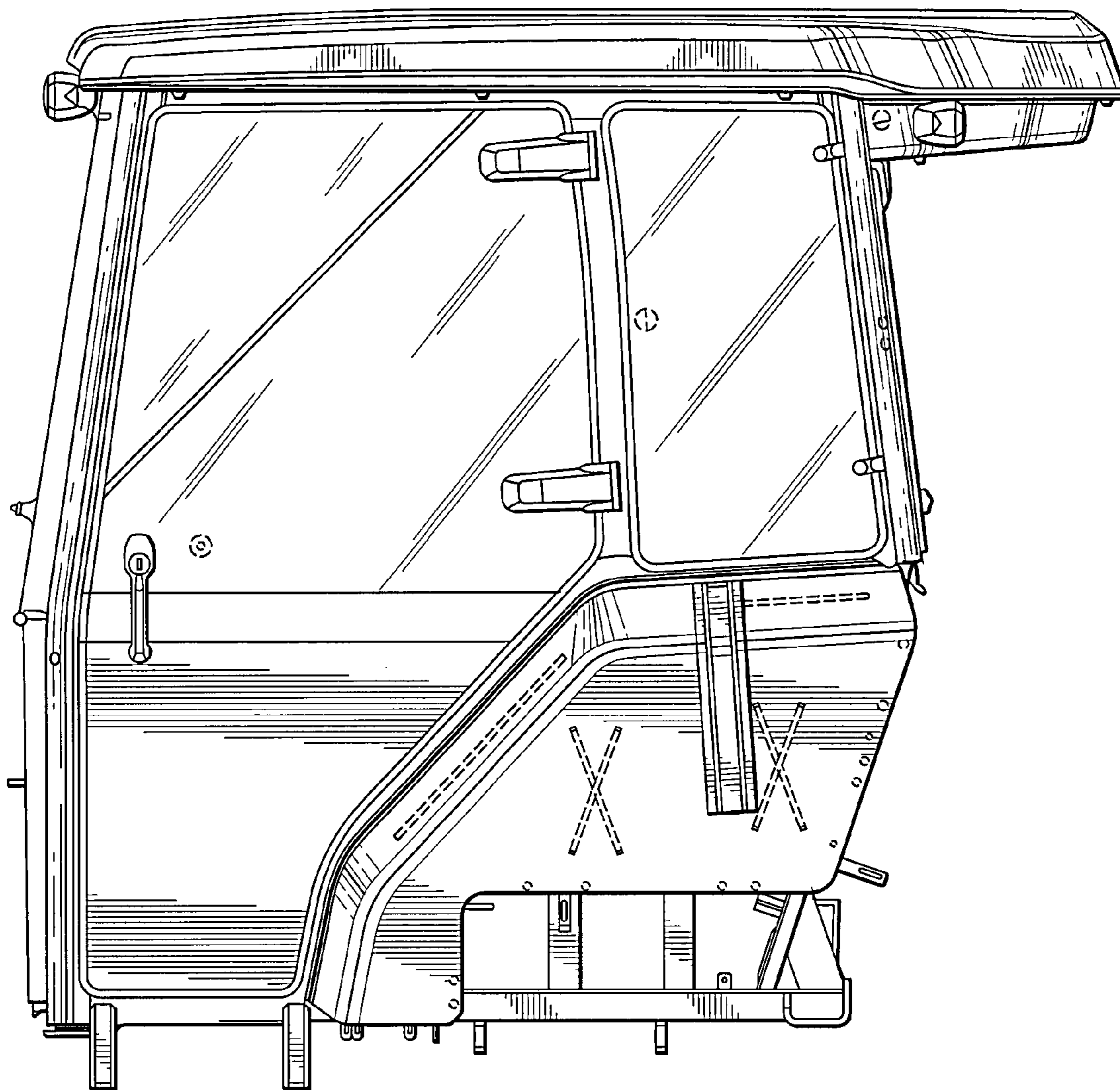


Fig. 4

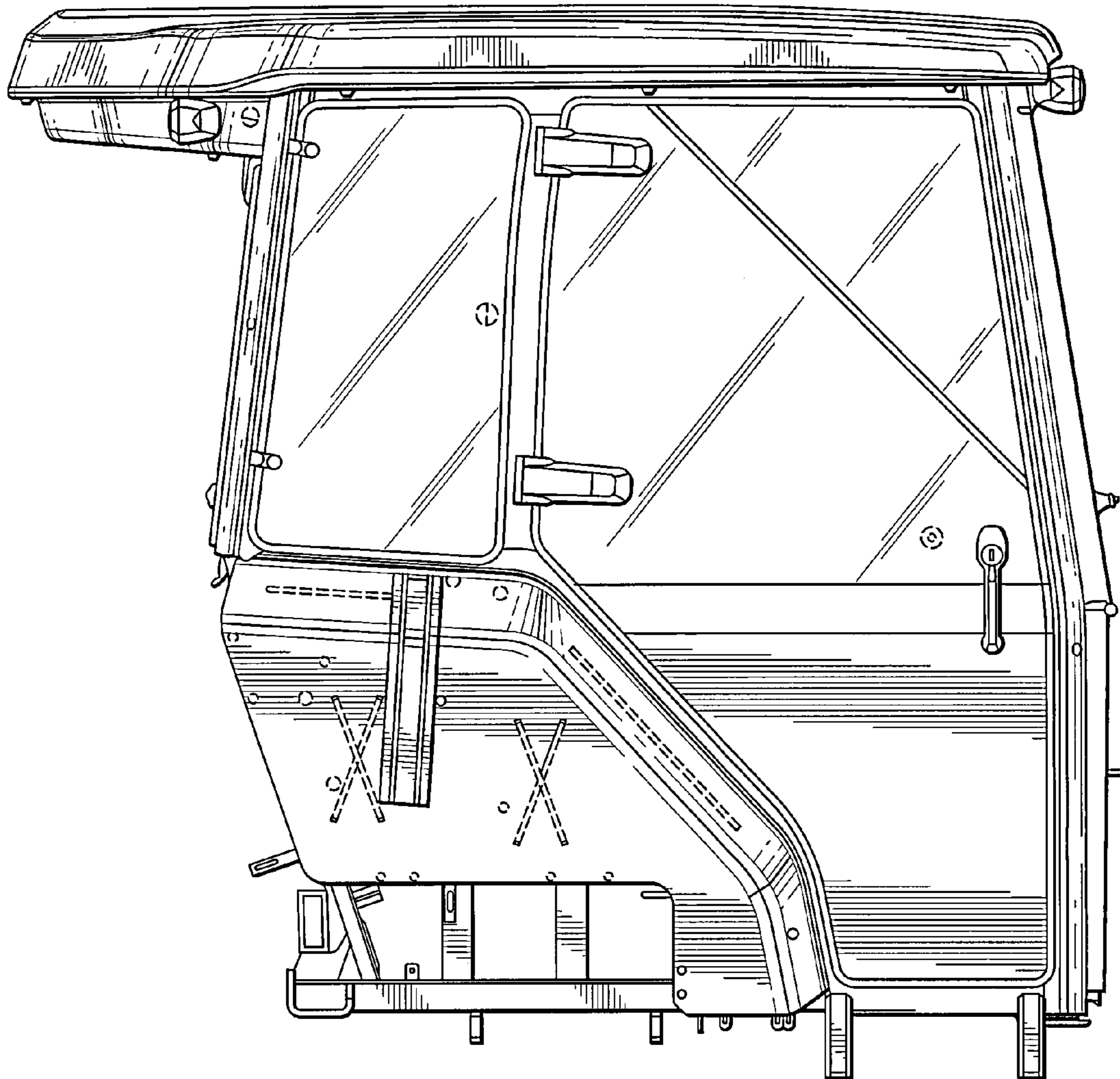


Fig. 5

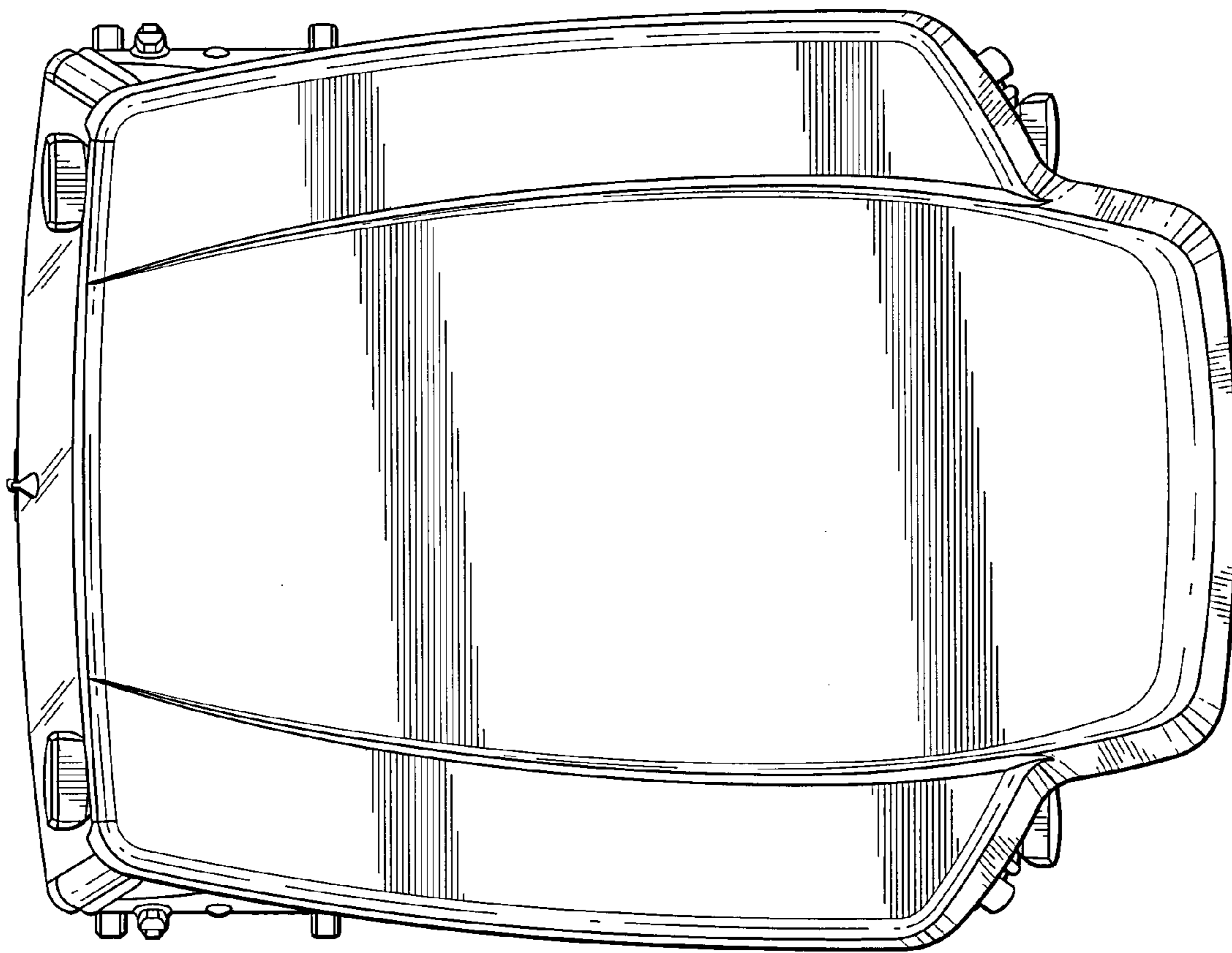


Fig. 6

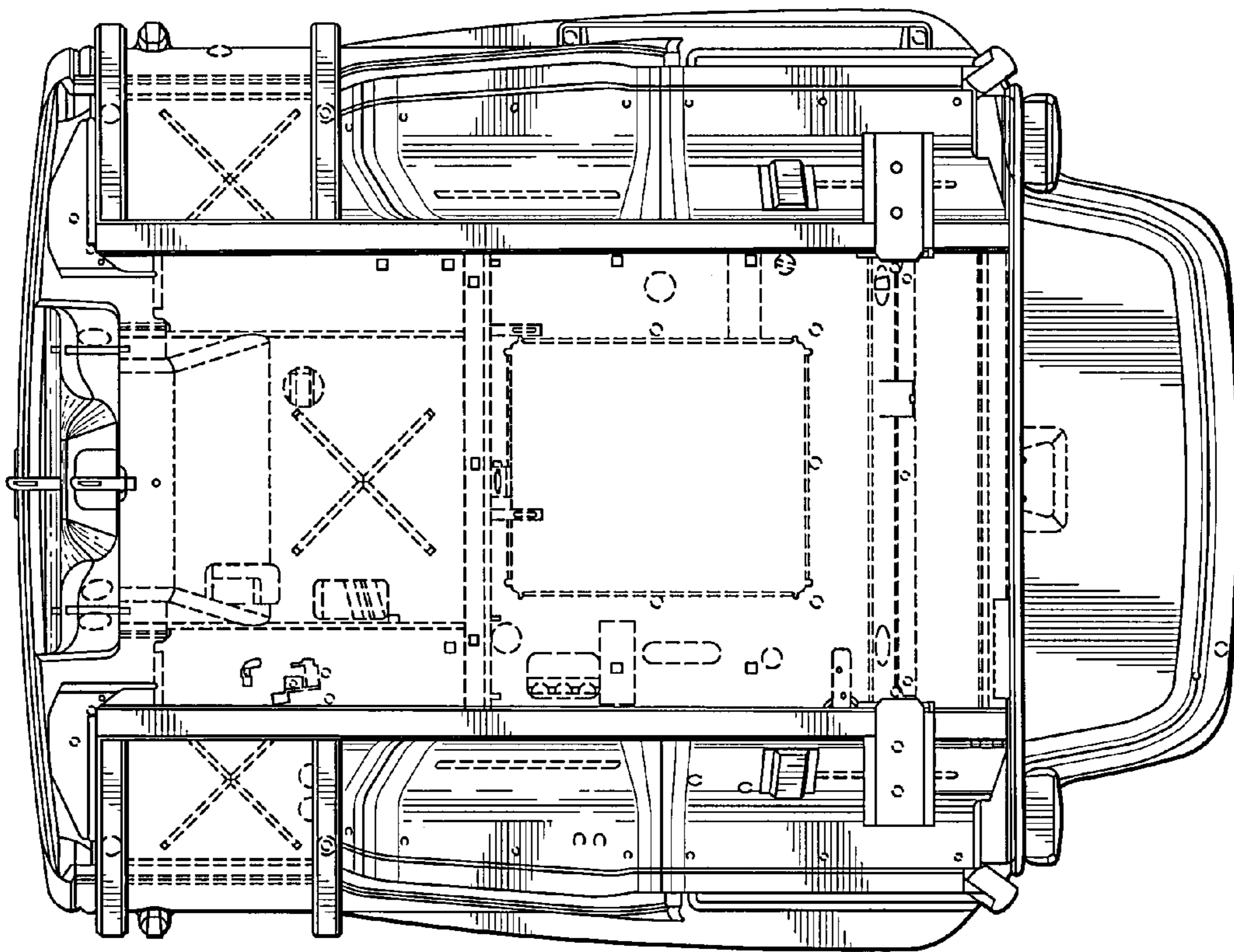


Fig. 7