



US00D681690S

(12) **United States Design Patent**
Xia et al.

(10) **Patent No.:** **US D681,690 S**
(45) **Date of Patent:** **** May 7, 2013**

(54) **MIXER IMPELLER**

(75) Inventors: **Jiliang Xia**, Pori (FI); **Tuomas Hirsi**,
Helsinki (FI); **Niclas Tylli**, Veikkola (FI)

(73) Assignee: **Outotec Oyj** (FI)

(**) Term: **14 Years**

(21) Appl. No.: **29/429,969**

(22) Filed: **Aug. 20, 2012**

(30) **Foreign Application Priority Data**

Feb. 20, 2012 (EM) 001315758

(51) **LOC (9) Cl.** **15-03**

(52) **U.S. Cl.**
USPC **D15/29; D24/220**

(58) **Field of Classification Search** D15/10,
D15/11, 21, 28, 29, 138, 147; D24/220,
D24/216, 232, 107; D7/412, 376, 378, 384;
416/223 R, 228, 231 A; 366/343; 29/889;
435/325, 286.7, 289.1, 290.2, 291.5, 291.6
See application file for complete search history.

(56) **References Cited**

U.S. PATENT DOCUMENTS

2,250,142	A *	7/1941	Umstead	248/660
2,552,057	A *	5/1951	Paik	416/119
2,793,166	A *	5/1957	Hatch	435/289.1
4,193,702	A *	3/1980	Davis	366/343
D255,451	S *	6/1980	Herbst et al.	D15/138
D260,397	S *	8/1981	Bartlett et al.	D15/11
D267,405	S *	12/1982	Wilson	D15/21
4,396,291	A *	8/1983	Simmonds	366/282
D290,395	S *	6/1987	Stevens et al.	D24/220
5,046,245	A *	9/1991	Weetman et al.	29/889.7
5,057,284	A *	10/1991	Emmett et al.	422/225
D322,322	S *	12/1991	Markle et al.	D24/220
5,075,234	A *	12/1991	Tunac	435/301.1
D328,905	S *	8/1992	Triano	D15/138

5,326,168	A *	7/1994	Miura	366/343
5,972,661	A *	10/1999	Kubera et al.	435/104
6,250,797	B1 *	6/2001	Weetman	366/270
6,334,705	B1 *	1/2002	Weetman	366/330.1
6,395,516	B1 *	5/2002	Nienow et al.	435/91.1
6,464,384	B2 *	10/2002	Kubera et al.	366/102
6,572,262	B1 *	6/2003	Russel-Smith	366/348

(Continued)

OTHER PUBLICATIONS

A310 and A-310 by Lightnin, 2 pages of full-color photographs, disclosure date unknown but prior to the filing of the present application.

(Continued)

Primary Examiner — Mark Goodwin

(74) *Attorney, Agent, or Firm* — Banner & Witcoff, Ltd.

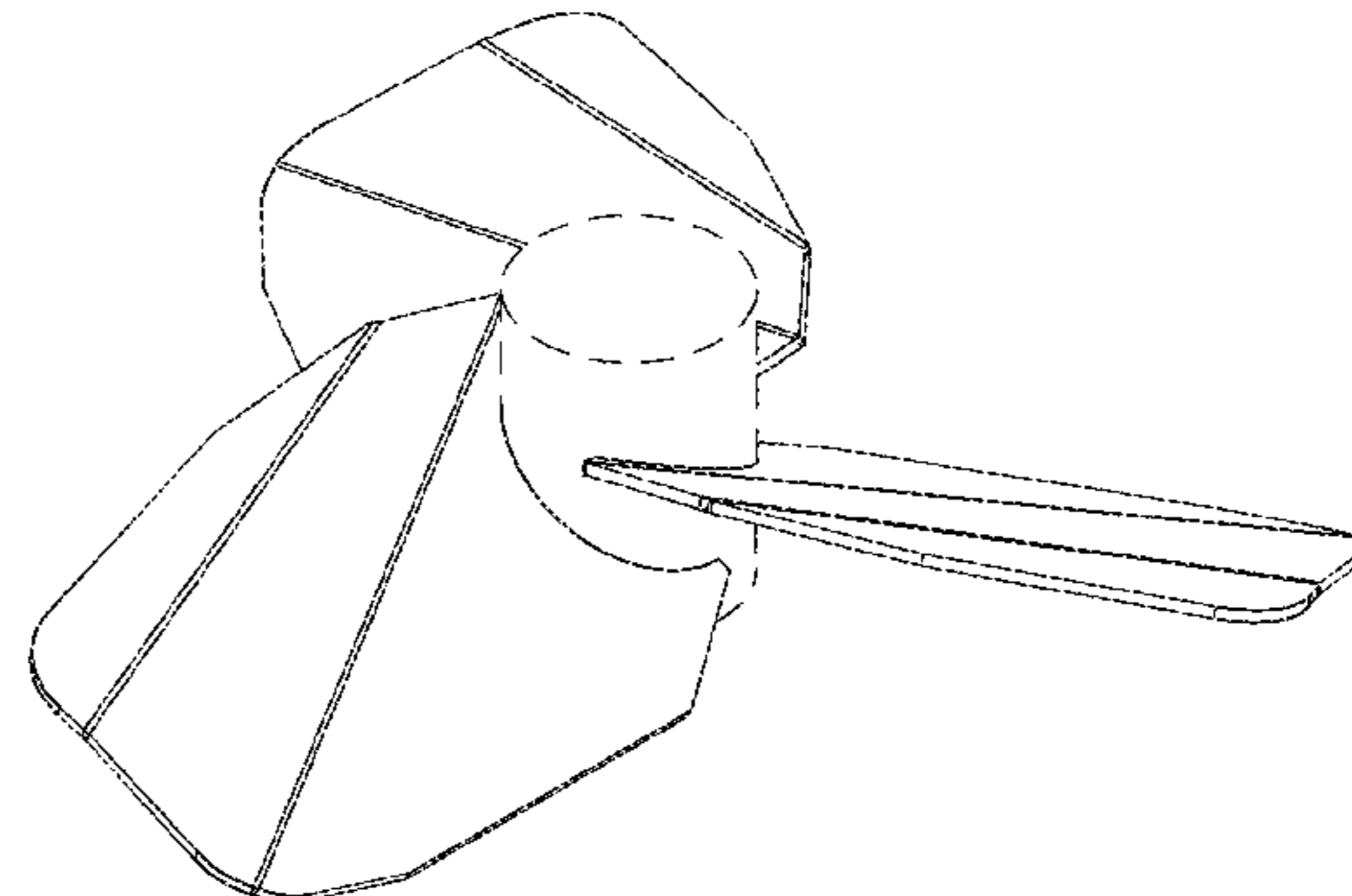
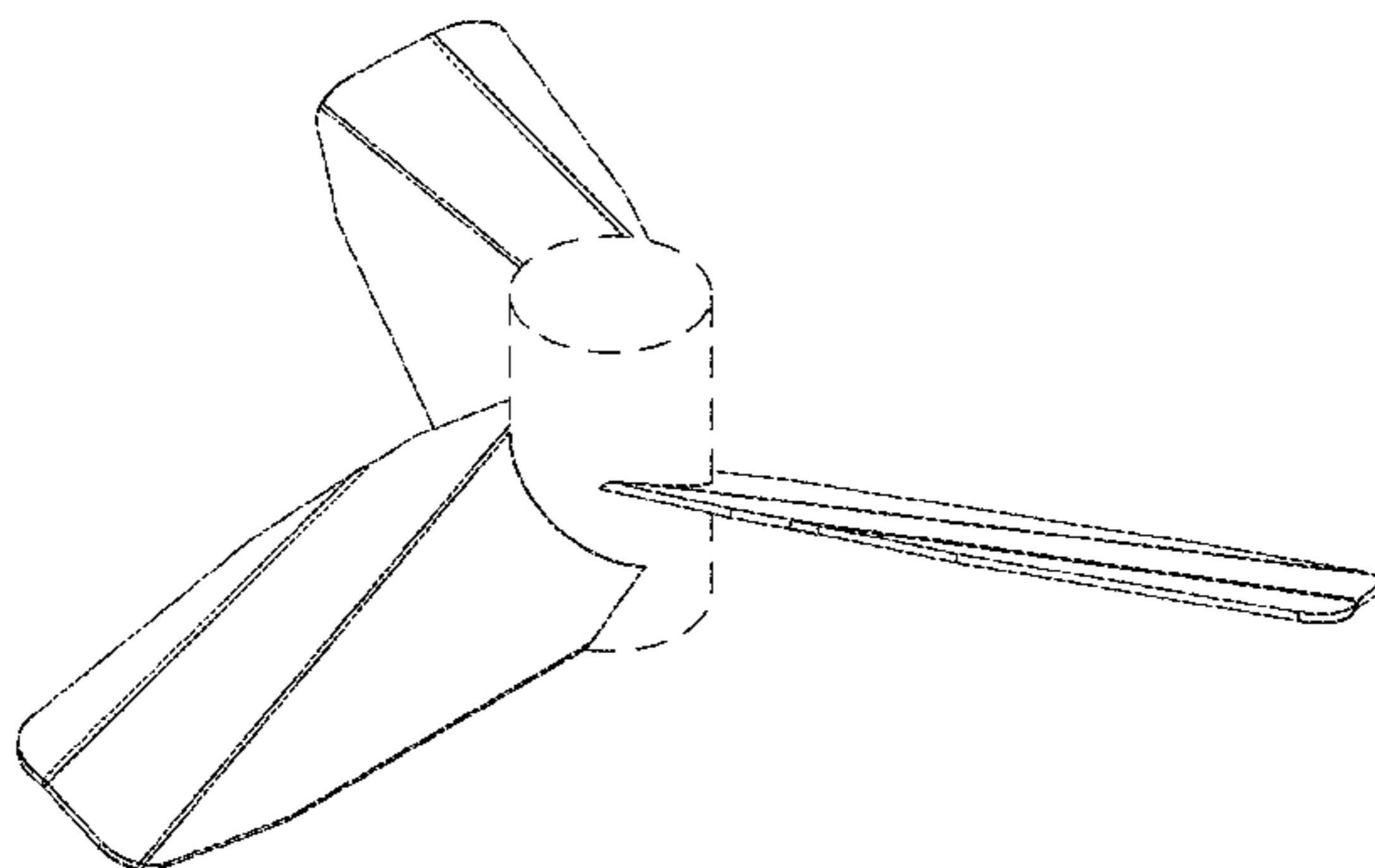
(57) **CLAIM**

We claim the ornamental design for a mixer impeller, as shown and described.

DESCRIPTION

FIG. 1 is a perspective view of a first embodiment for a mixer impeller showing our new design;
FIG. 2 is a top view thereof;
FIG. 3 is a bottom view thereof;
FIG. 4 is a side view thereof;
FIG. 5 is a second side view thereof;
FIG. 6 is a perspective view of a second embodiment for a mixer impeller showing our new design;
FIG. 7 is a top view thereof;
FIG. 8 is a bottom view thereof;
FIG. 9 is a side view thereof and; and,
FIG. 10 is a second side view thereof.
The broken lines showing the remainder of the mixer impeller are for environmental purposes only and form no part of the claimed design.

1 Claim, 10 Drawing Sheets



US D681,690 S

Page 2

U.S. PATENT DOCUMENTS

6,612,733 B2 * 9/2003 Schmidt et al. 366/310
6,866,414 B2 * 3/2005 Kupidowski 366/330.3
D523,028 S * 6/2006 Fitzpatrick D15/29
7,114,844 B2 * 10/2006 Weetman 366/328.3
D566,143 S * 4/2008 Rosso et al. D15/138
D571,479 S * 6/2008 Wagner D24/220
D571,927 S * 6/2008 Wagner D24/220
D576,186 S * 9/2008 Rosso et al. D15/138
D596,309 S * 7/2009 Tien et al. D24/220
D601,850 S * 10/2009 Ikuta D7/412
7,682,067 B2 * 3/2010 West et al. 366/331
7,887,230 B2 * 2/2011 Rosso et al. 366/129
2001/0055237 A1 * 12/2001 Kubera et al. 366/102
2003/0107950 A1 * 6/2003 Shepherd et al. 366/317
2005/0239199 A1 * 10/2005 Kunas et al. 435/297.1
2007/0065927 A1 * 3/2007 Brahmhatt 435/101
2008/0206847 A1 * 8/2008 Kunas et al. 435/287.1
2009/0134173 A1 * 5/2009 Liang et al. 220/563

2009/0311776 A1 * 12/2009 Kelly et al. 435/289.1
2010/0028990 A1 * 2/2010 Broadley et al. 435/289.1
2010/0034050 A1 * 2/2010 Erb et al. 366/342
2010/0035343 A1 * 2/2010 Cheng et al. 435/394
2010/0206079 A1 * 8/2010 Vlahopoulou 73/599
2011/0013474 A1 * 1/2011 Ludwig et al. 366/102
2011/0117594 A1 * 5/2011 Kunas et al. 435/29
2011/0188928 A1 * 8/2011 West et al. 403/291
2011/0207218 A1 * 8/2011 Staheli et al. 435/394
2011/0310696 A1 * 12/2011 Goodwin et al. 366/204
2011/0312087 A1 * 12/2011 Khan 435/325
2012/0045834 A1 * 2/2012 Jones et al. 435/383

OTHER PUBLICATIONS

HE-3 and HE3 by Chemineer, 1 page of full-color photographs, disclosure date unknown but prior to the filing of the present application.

* cited by examiner

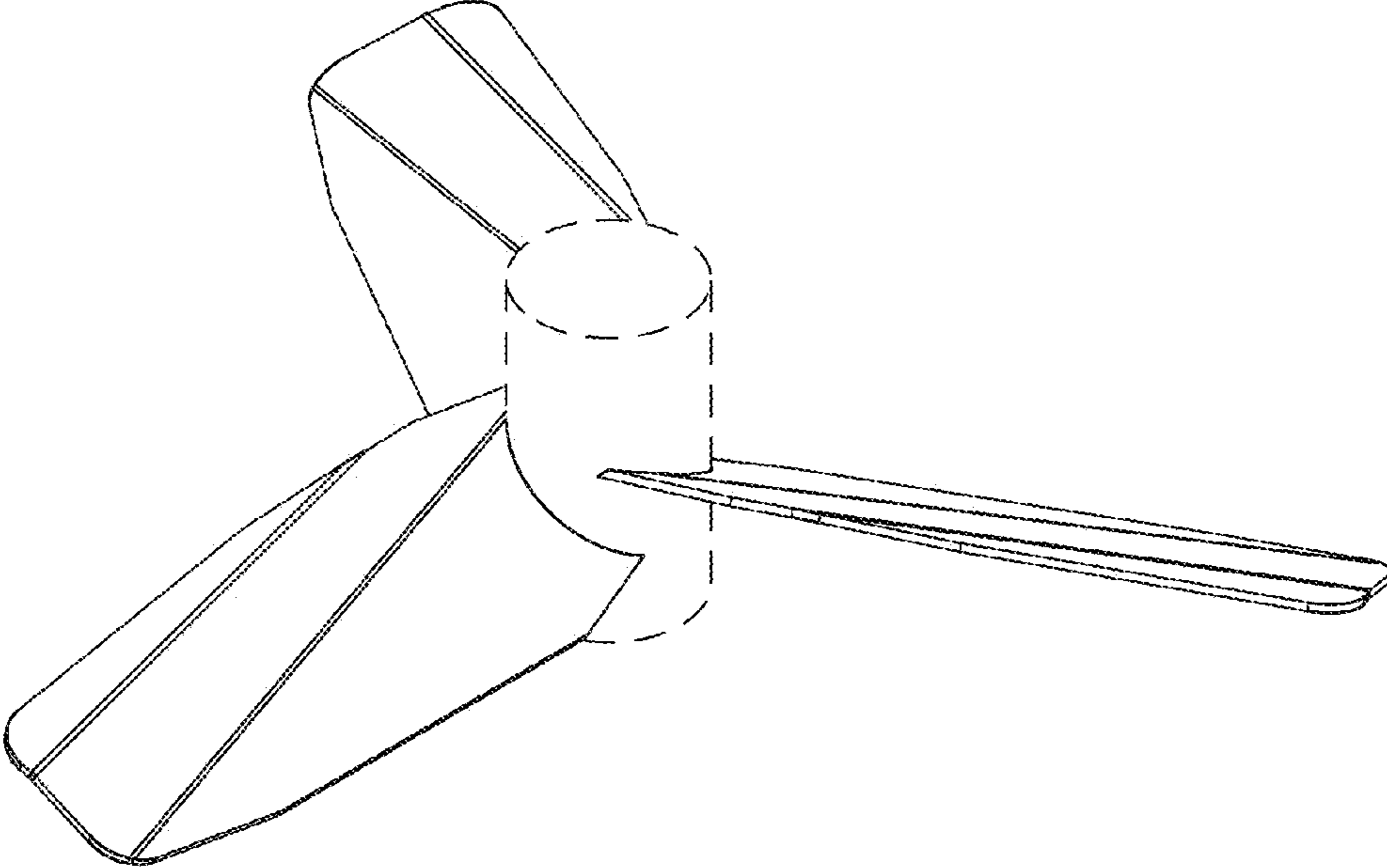


FIG. 1

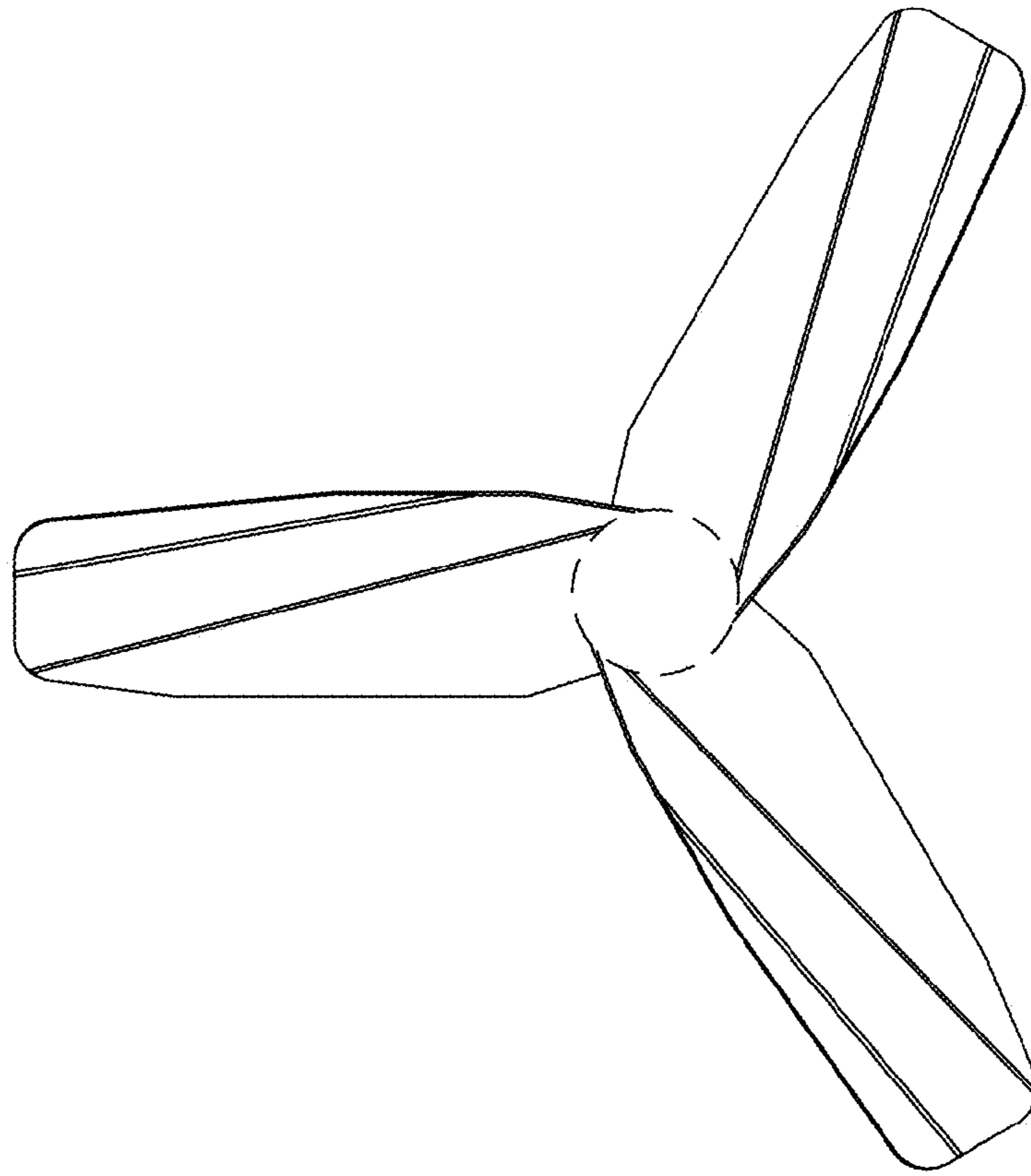


FIG. 2

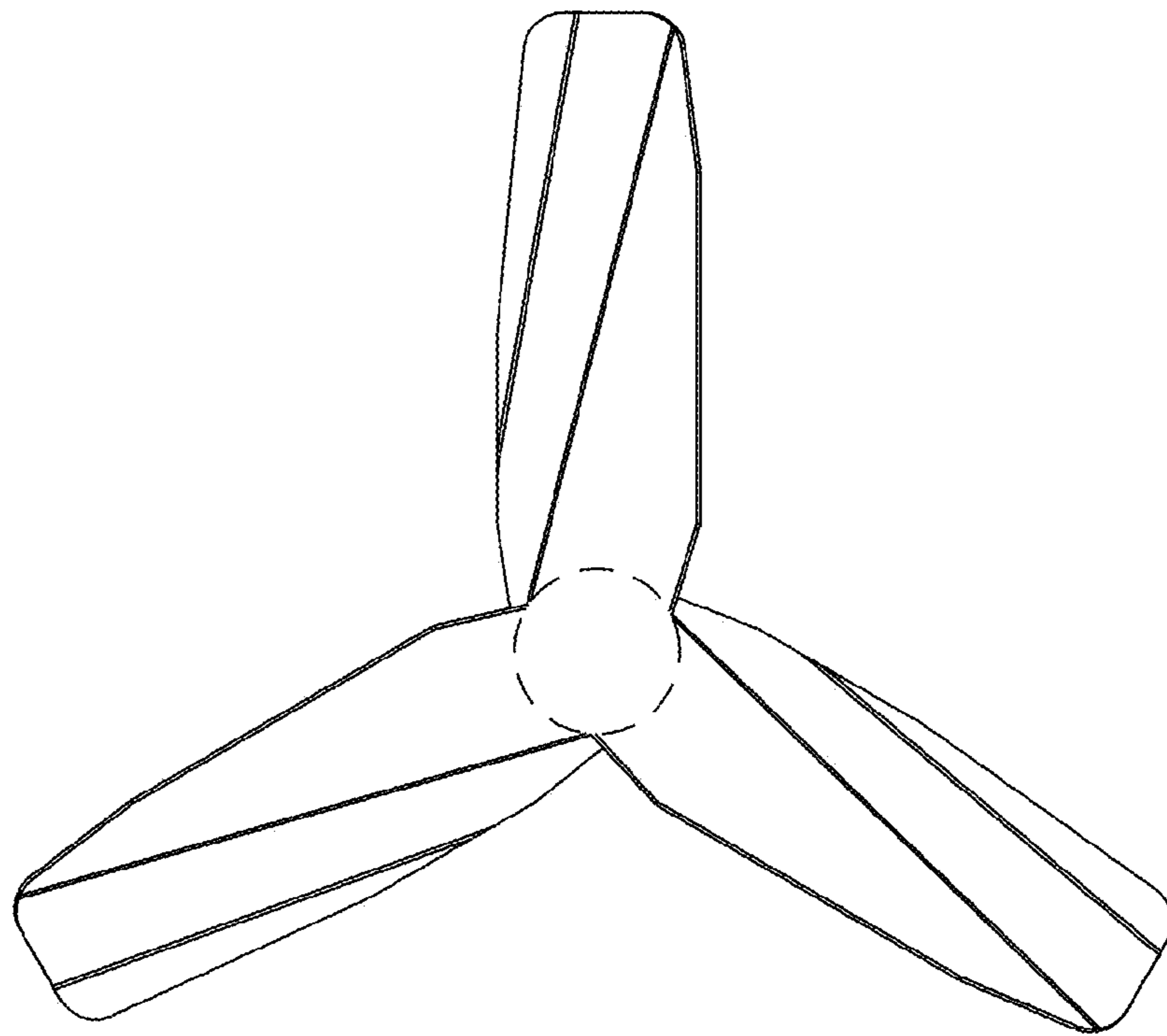


FIG. 3

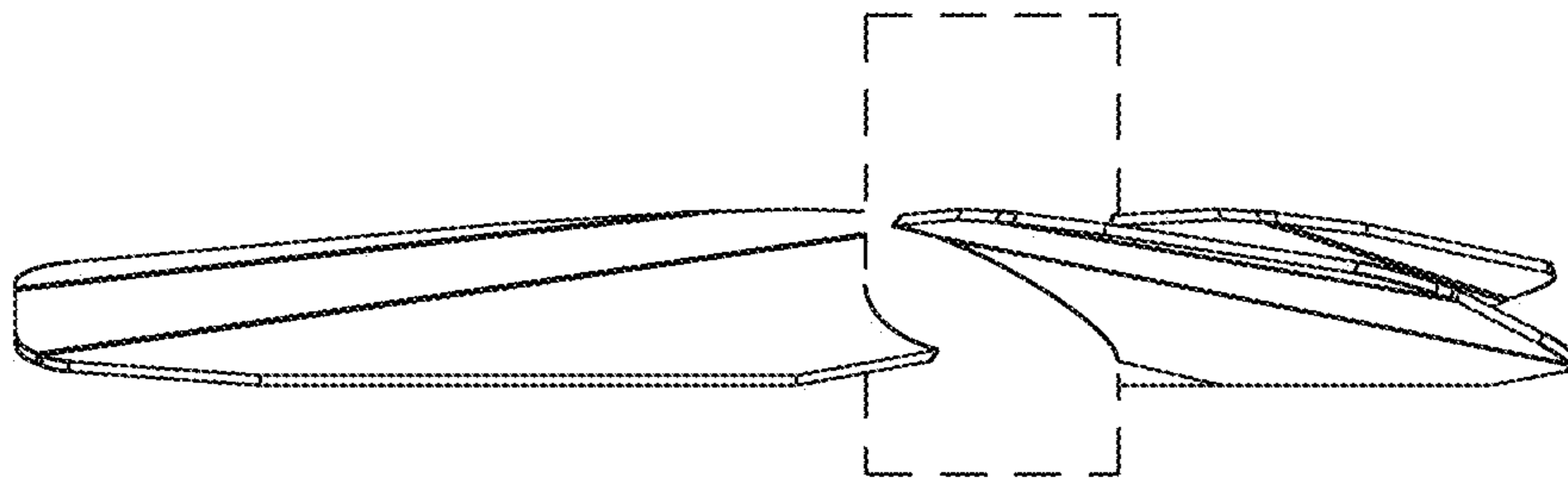


FIG. 4

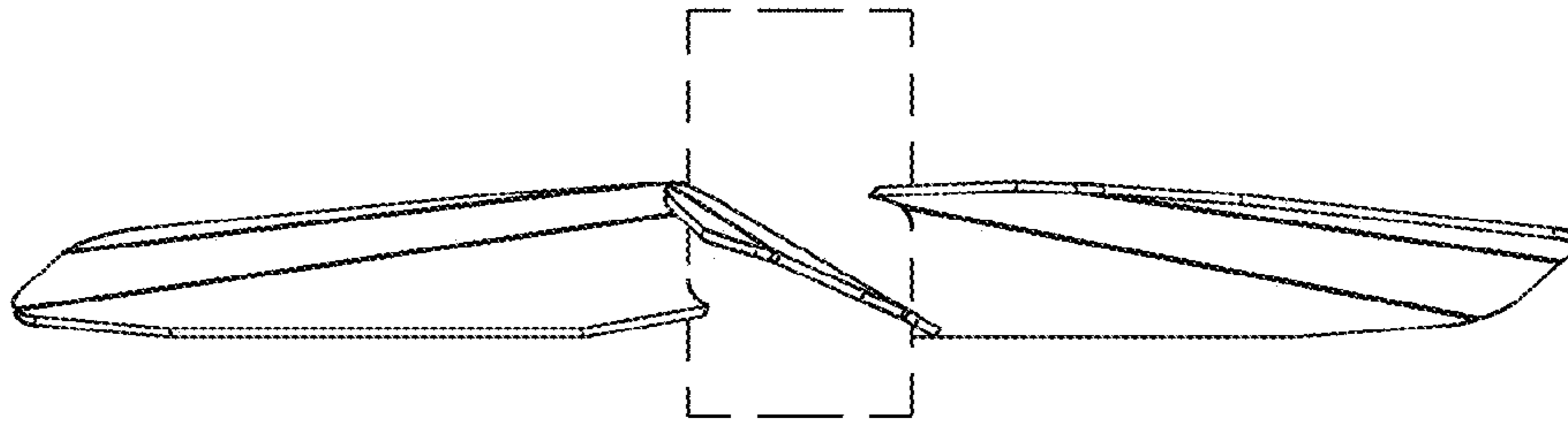


FIG. 5

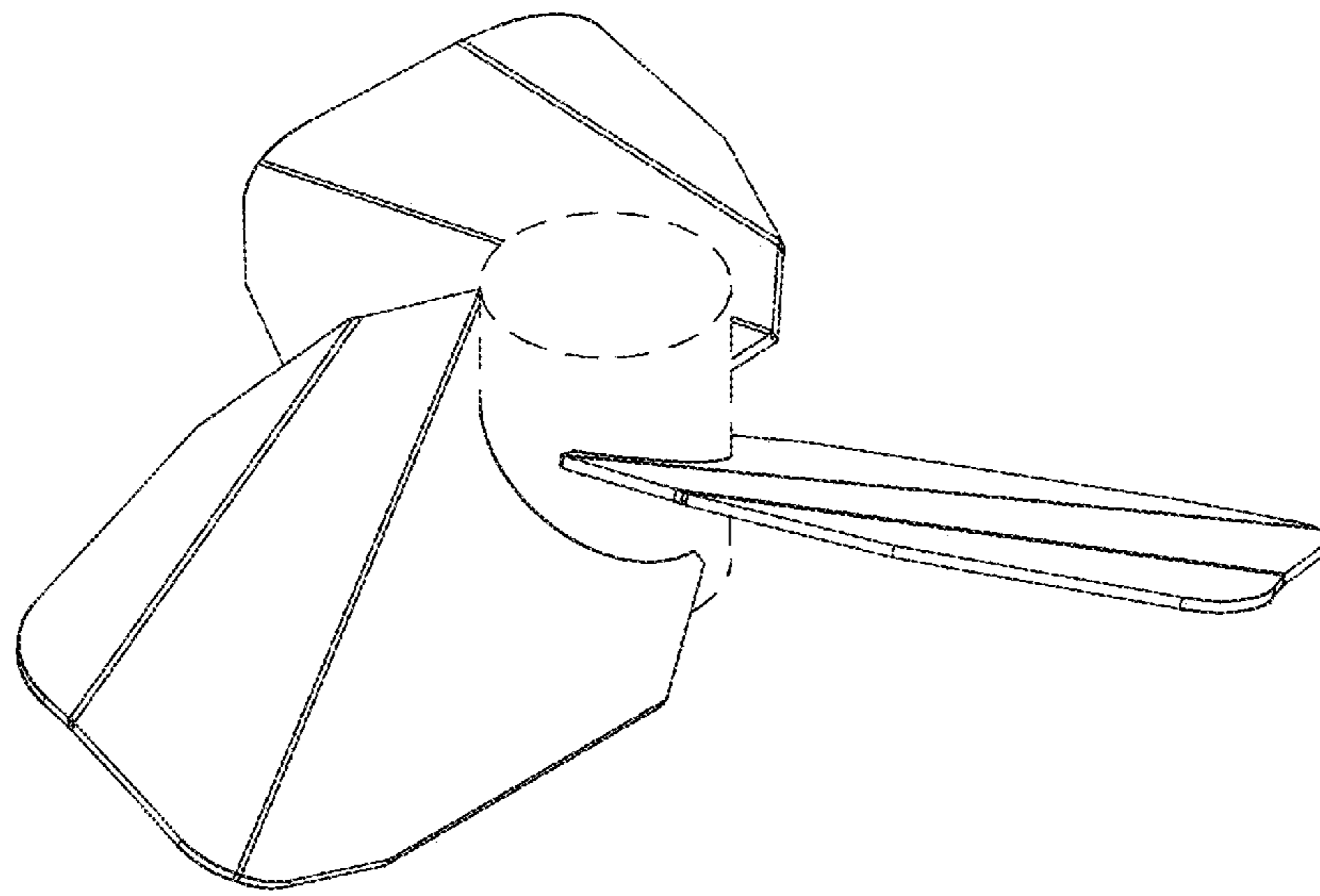


FIG. 6

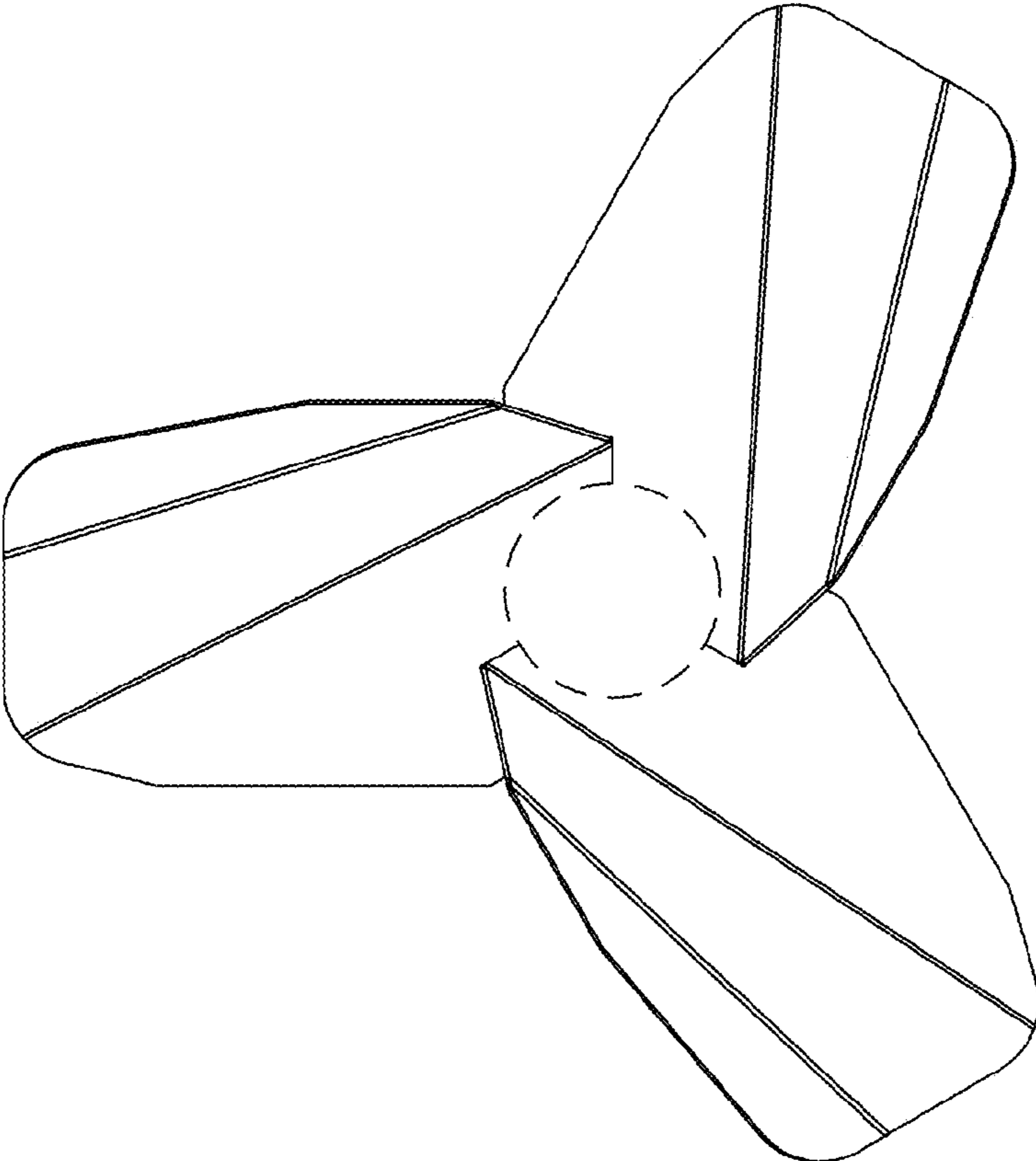


FIG. 7

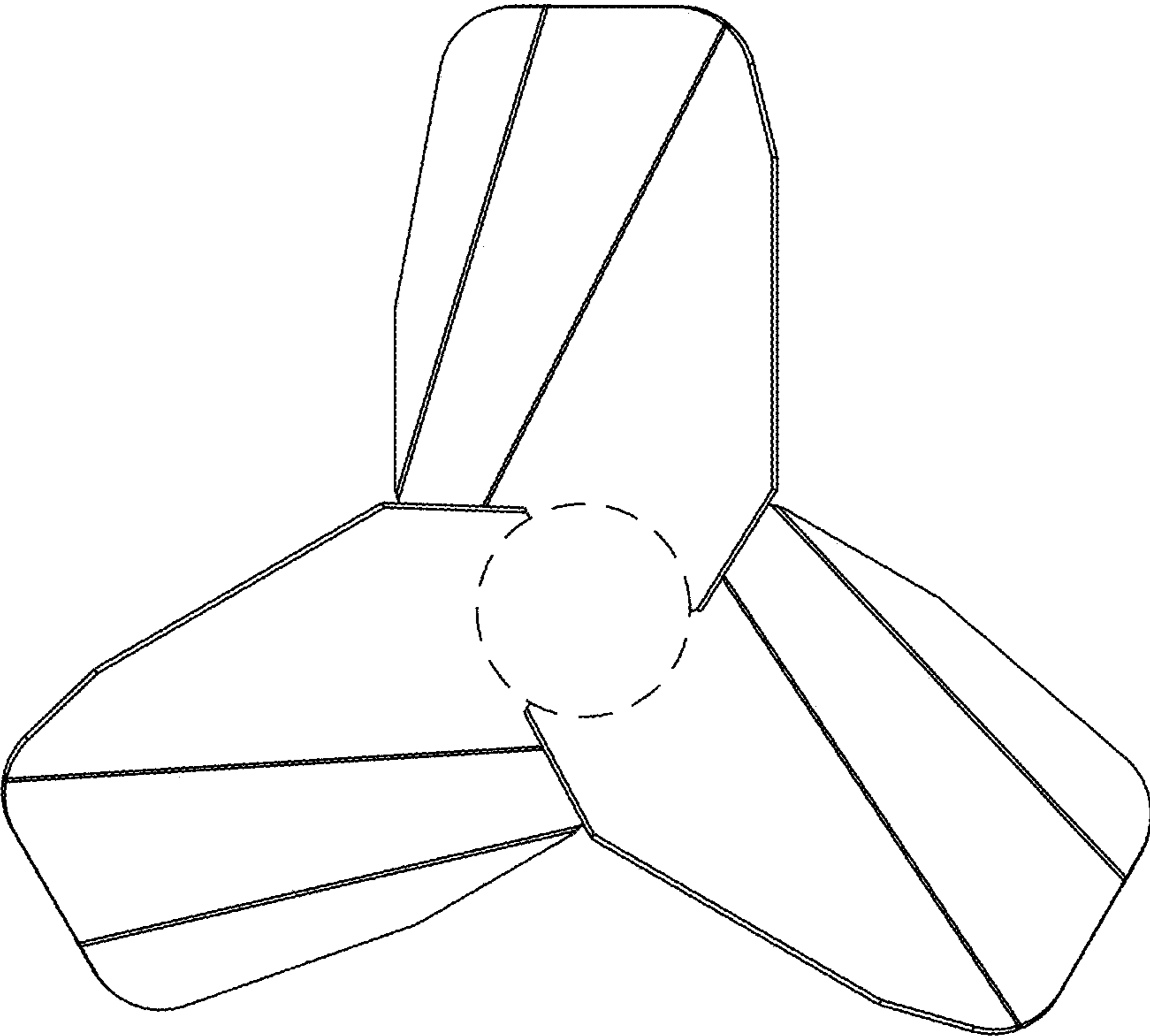


FIG. 8

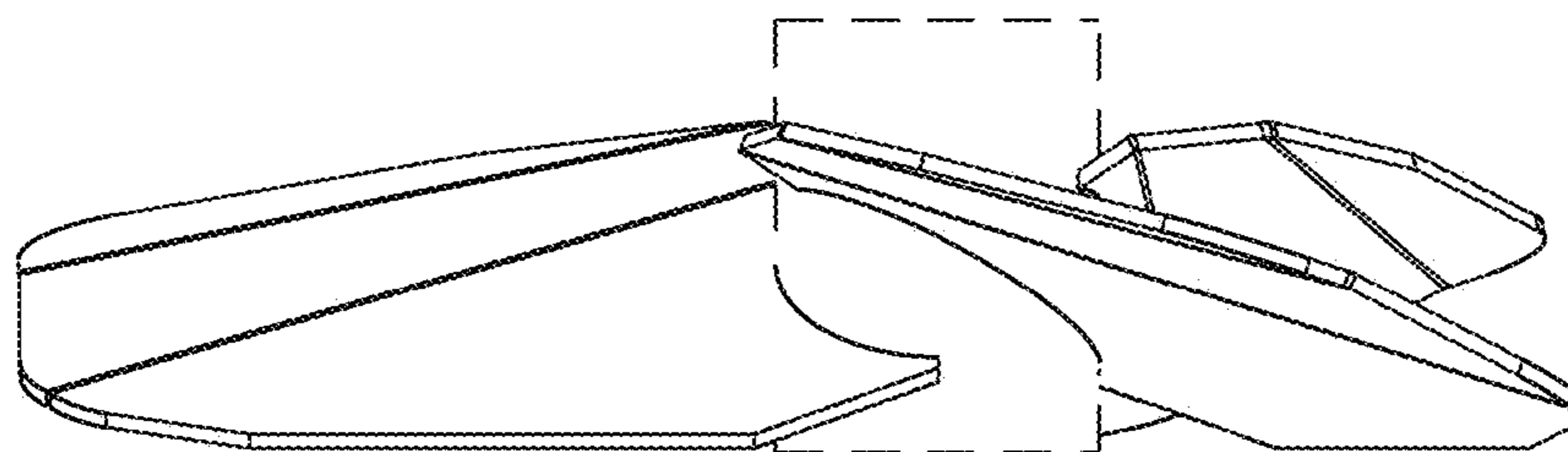


FIG. 9

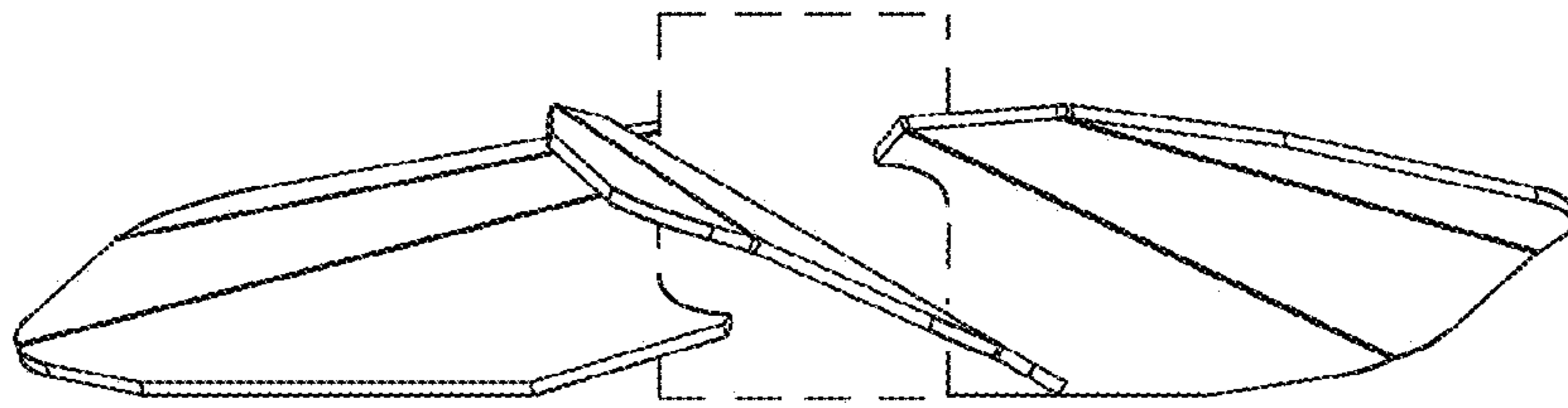


FIG. 10