



US00D681688S

(12) **United States Design Patent**  
**Higashikawa**

(10) **Patent No.:** **US D681,688 S**

(45) **Date of Patent:** **\*\* May 7, 2013**

(54) **REAR FRAME FOR A RIDING TYPE MOWER**

(71) Applicant: **Kubota Corporation**, Osaka (JP)

(72) Inventor: **Yoshitaka Higashikawa**, Sakai (JP)

(73) Assignee: **Kubota Corporation**, Osaka (JP)

(\*\*) Term: **14 Years**

(21) Appl. No.: **29/435,362**

(22) Filed: **Oct. 23, 2012**

(51) **LOC (9) Cl.** ..... **15-03**

(52) **U.S. Cl.**

USPC ..... **D15/17; D15/15**

(58) **Field of Classification Search** ..... D15/10,

D15/14-17, 22, 28, 33; 56/12.1, 12.7, 12.8,

56/13.4, 13.7, 16.7, 17.1, 17.5, 202, 255,

56/320.1-320.2; 180/89.1, 311

See application file for complete search history.

(56) **References Cited**

**U.S. PATENT DOCUMENTS**

D340,461 S *	10/1993	Patterson et al.	.....	D15/15
D340,936 S *	11/1993	Matsuda et al.	.....	D15/15
D344,959 S *	3/1994	Patterson et al.	.....	D15/17
D362,447 S *	9/1995	Lamb	.....	D15/15
D386,189 S *	11/1997	Wolf	.....	D15/15
D387,358 S *	12/1997	Wolf	.....	D15/15
D387,359 S *	12/1997	Wolf	.....	D15/17
D389,160 S *	1/1998	Wolf	.....	D15/17
D392,981 S *	3/1998	Smith	.....	D15/15
D393,267 S *	4/1998	Wolf	.....	D15/17
D397,121 S *	8/1998	Smith	.....	D15/15
D398,311 S *	9/1998	Smith	.....	D15/15
D440,233 S *	4/2001	Smith	.....	D15/17

D442,972 S *	5/2001	Wolf	.....	D15/15
D447,491 S *	9/2001	Goebert et al.	.....	D15/17
D450,330 S *	11/2001	Katoh et al.	.....	D15/15
D453,777 S *	2/2002	Williams	.....	D15/33
D455,156 S *	4/2002	Rittfeldt	.....	D15/10
D455,764 S *	4/2002	Williams	.....	D15/33
D457,175 S *	5/2002	Goebert et al.	.....	D15/33
D495,718 S *	9/2004	Higashikawa	.....	D15/15
D512,444 S *	12/2005	Ayers et al.	.....	D15/15
D636,001 S *	4/2011	Martin et al.	.....	D15/33
D656,965 S *	4/2012	Ortlund et al.	.....	D15/17

\* cited by examiner

*Primary Examiner* — Mark Goodwin

(74) *Attorney, Agent, or Firm* — Greenblum & Bernstein, P.L.C.

(57) **CLAIM**

I claim the ornamental design for a rear frame for a riding type mower, as shown and described.

**DESCRIPTION**

FIG. 1 is a front elevational view of a rear frame for a riding type mower showing my new design mounted to riding type mower in use condition;

FIG. 2 is a rear elevational view thereof;

FIG. 3 is a left side elevational view thereof;

FIG. 4 is a right side elevational view thereof;

FIG. 5 is a top plan view thereof;

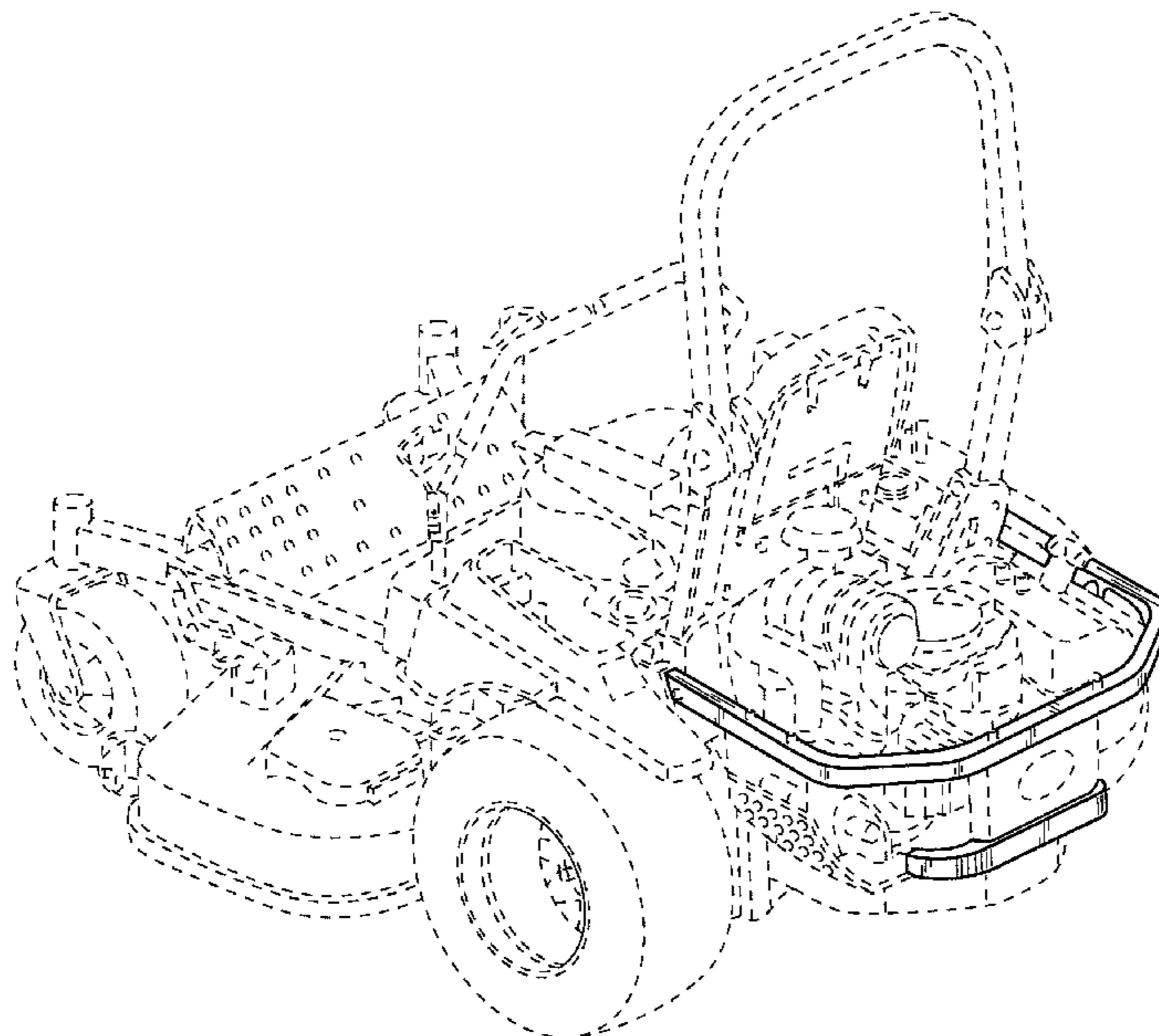
FIG. 6 is a bottom plan view thereof;

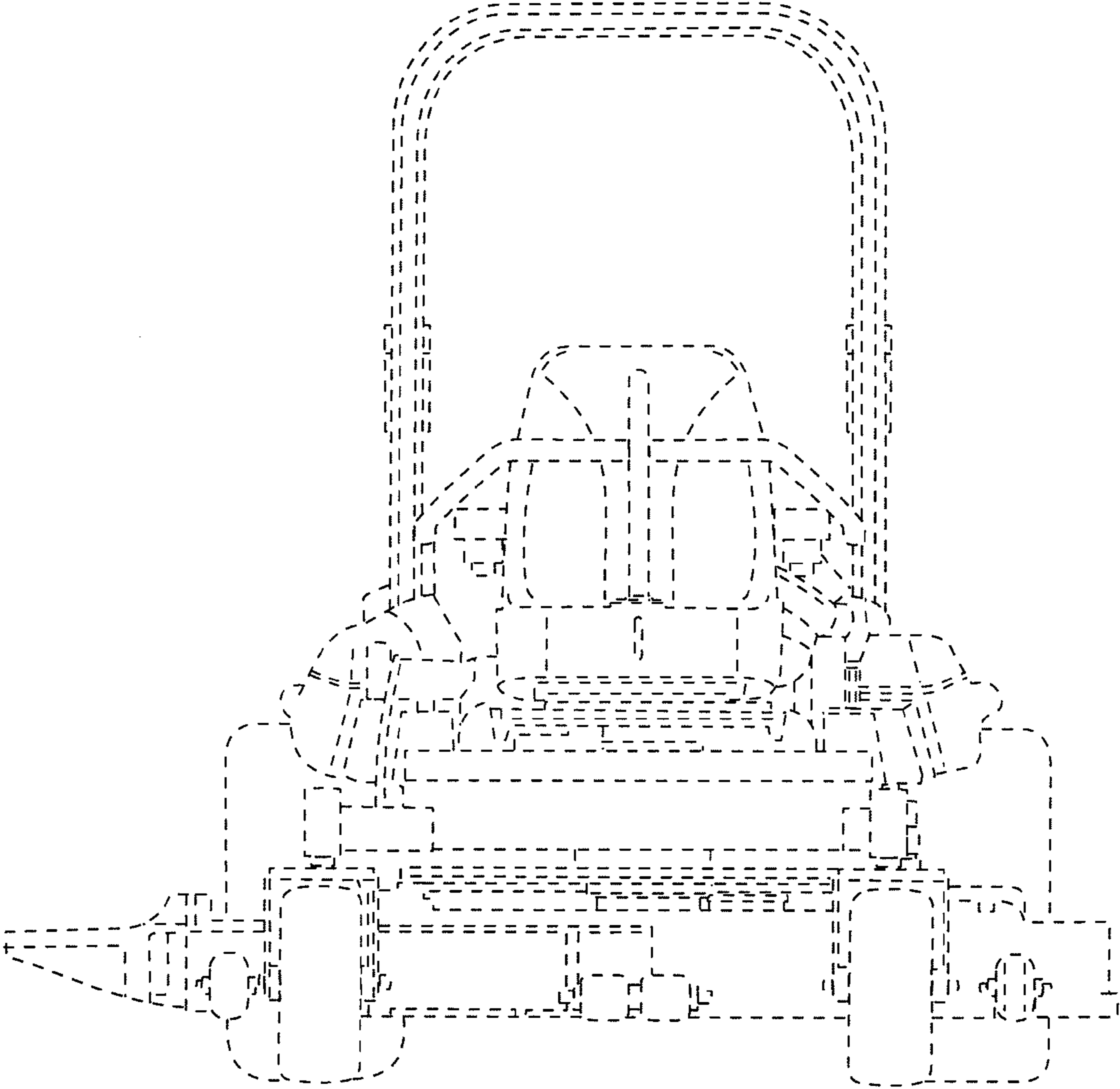
FIG. 7 is a perspective view thereof; and,

FIG. 8 is another perspective view thereof.

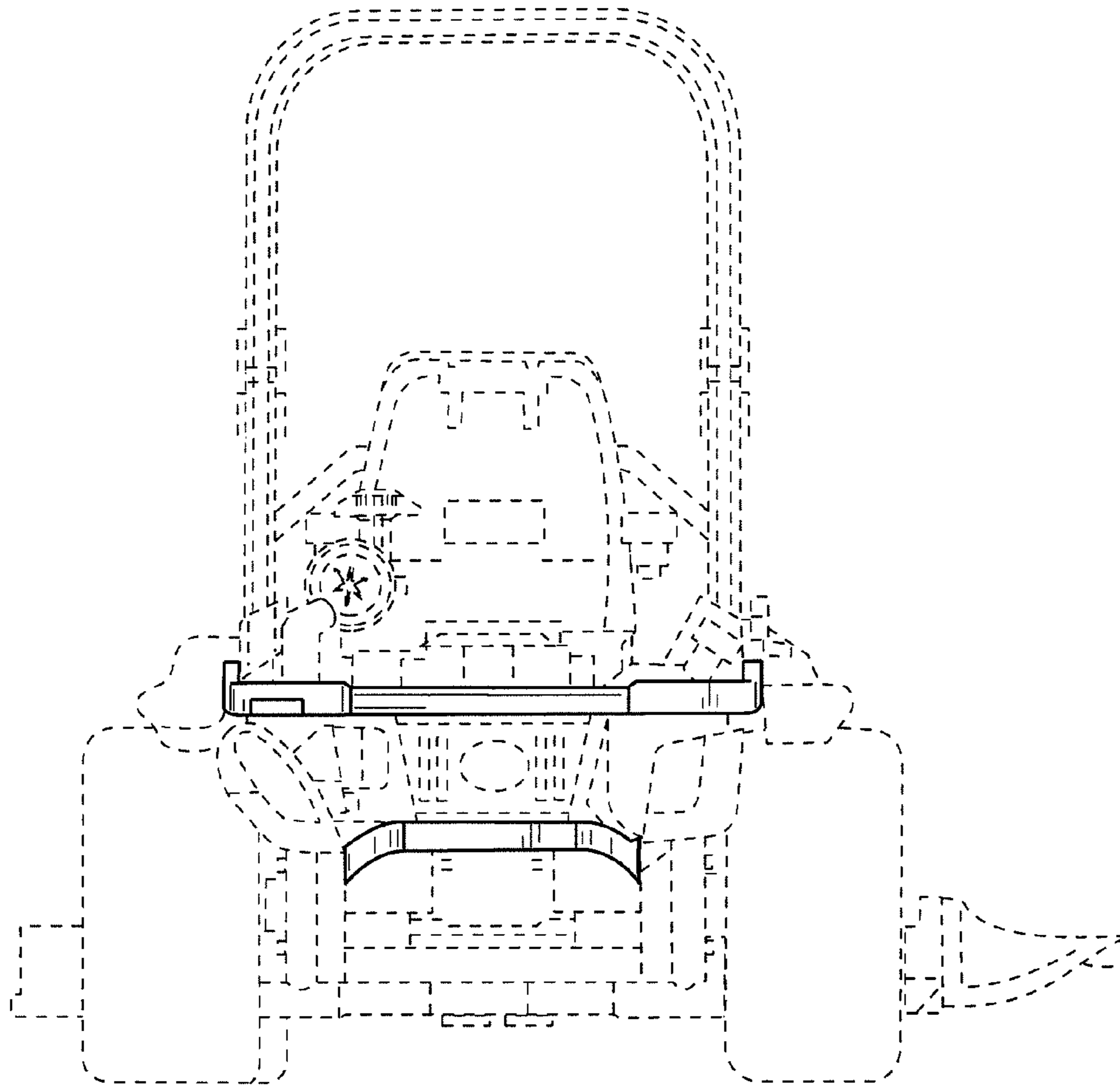
The broken lines indicate structure that is for illustrative purposes only and forms no part of the claimed design.

**1 Claim, 8 Drawing Sheets**

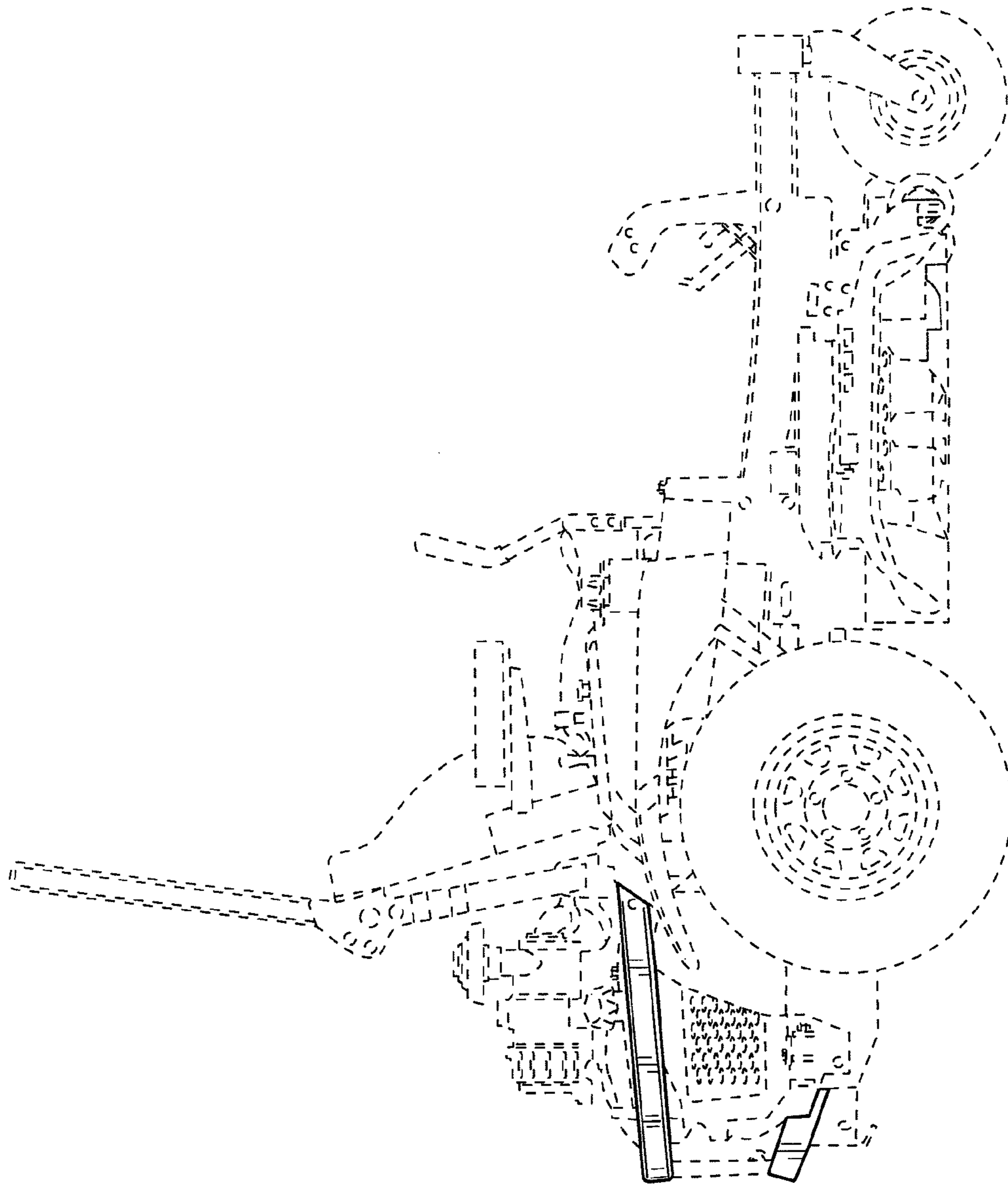




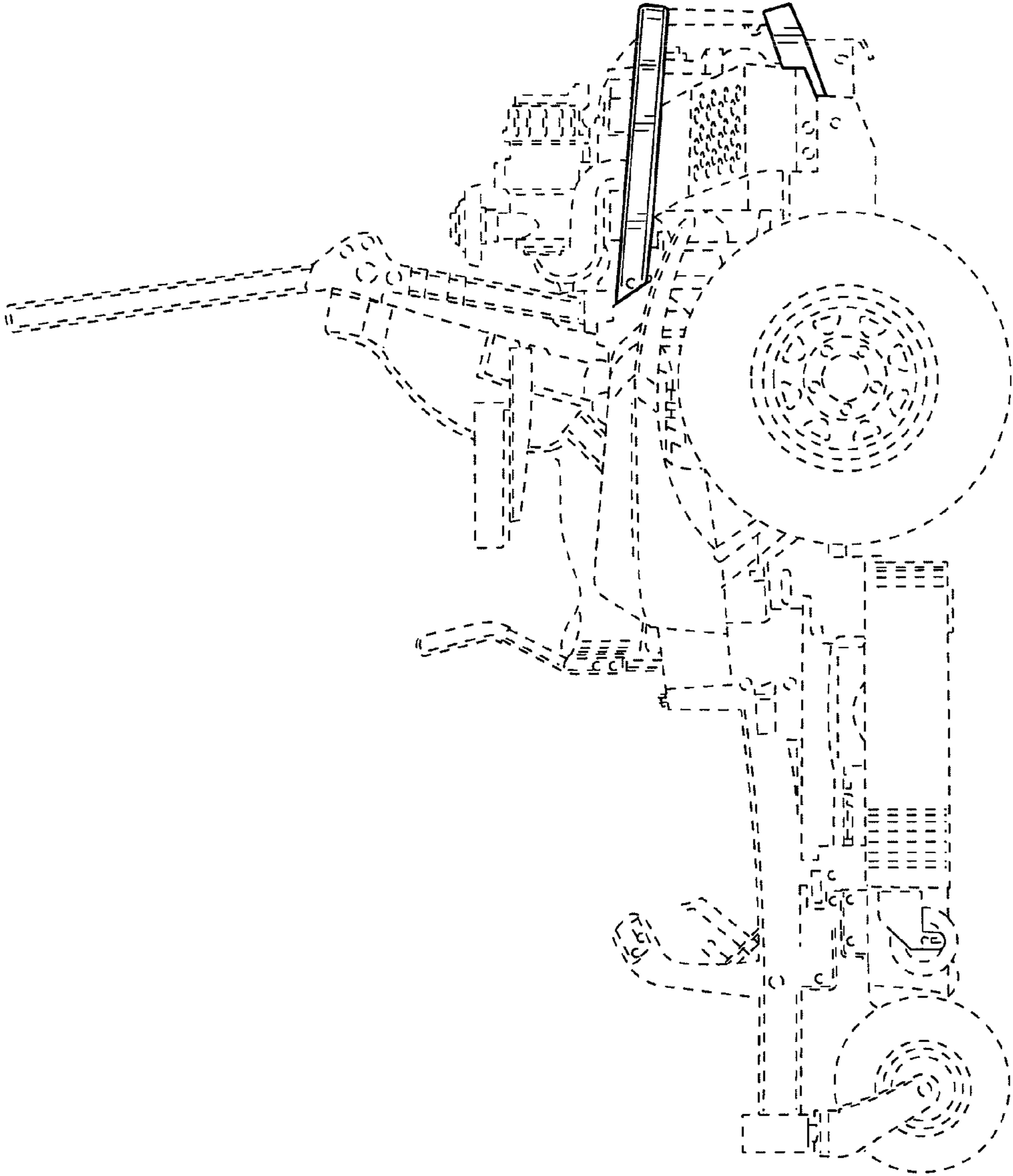
**FIG. 1**



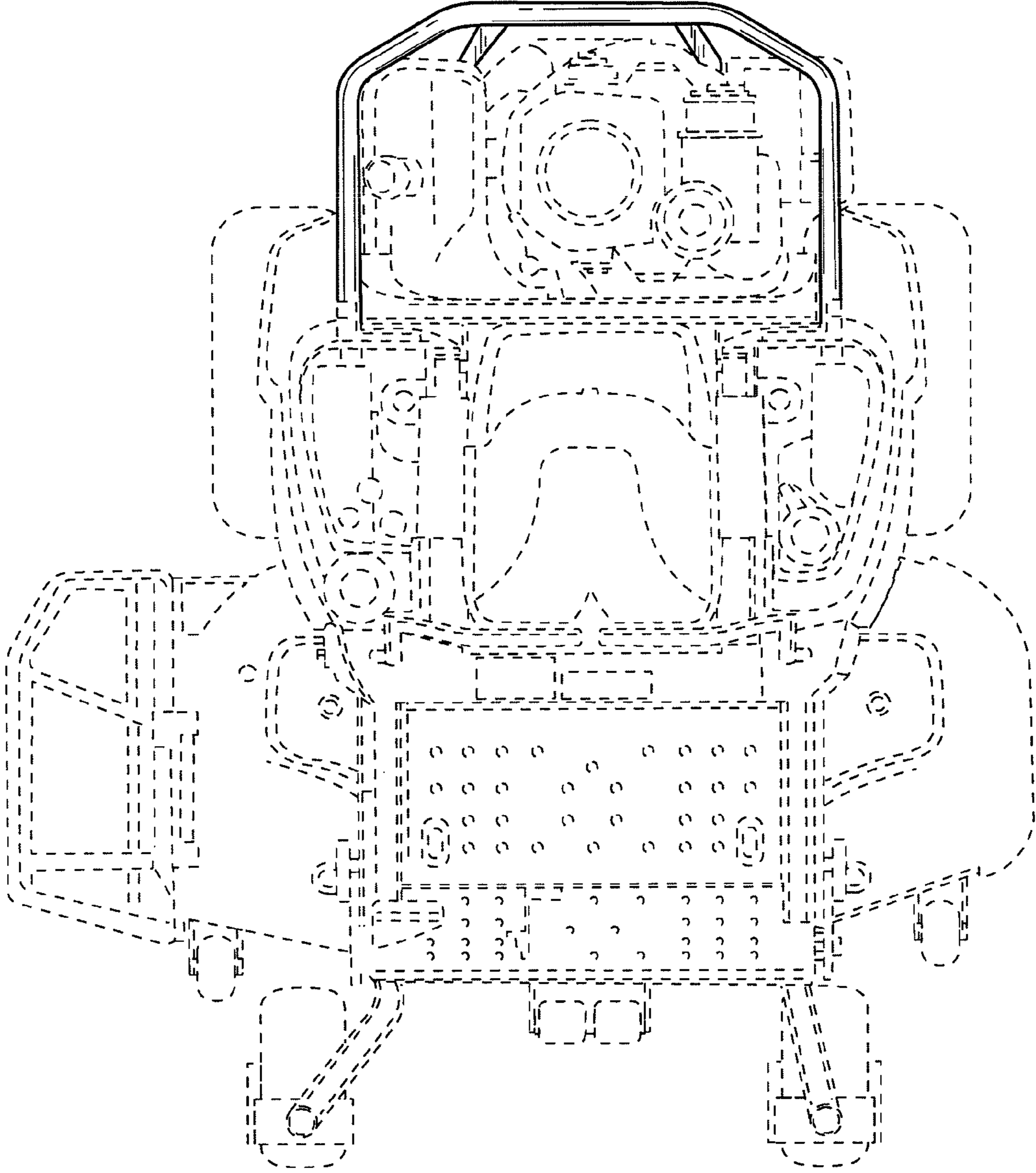
**FIG. 2**



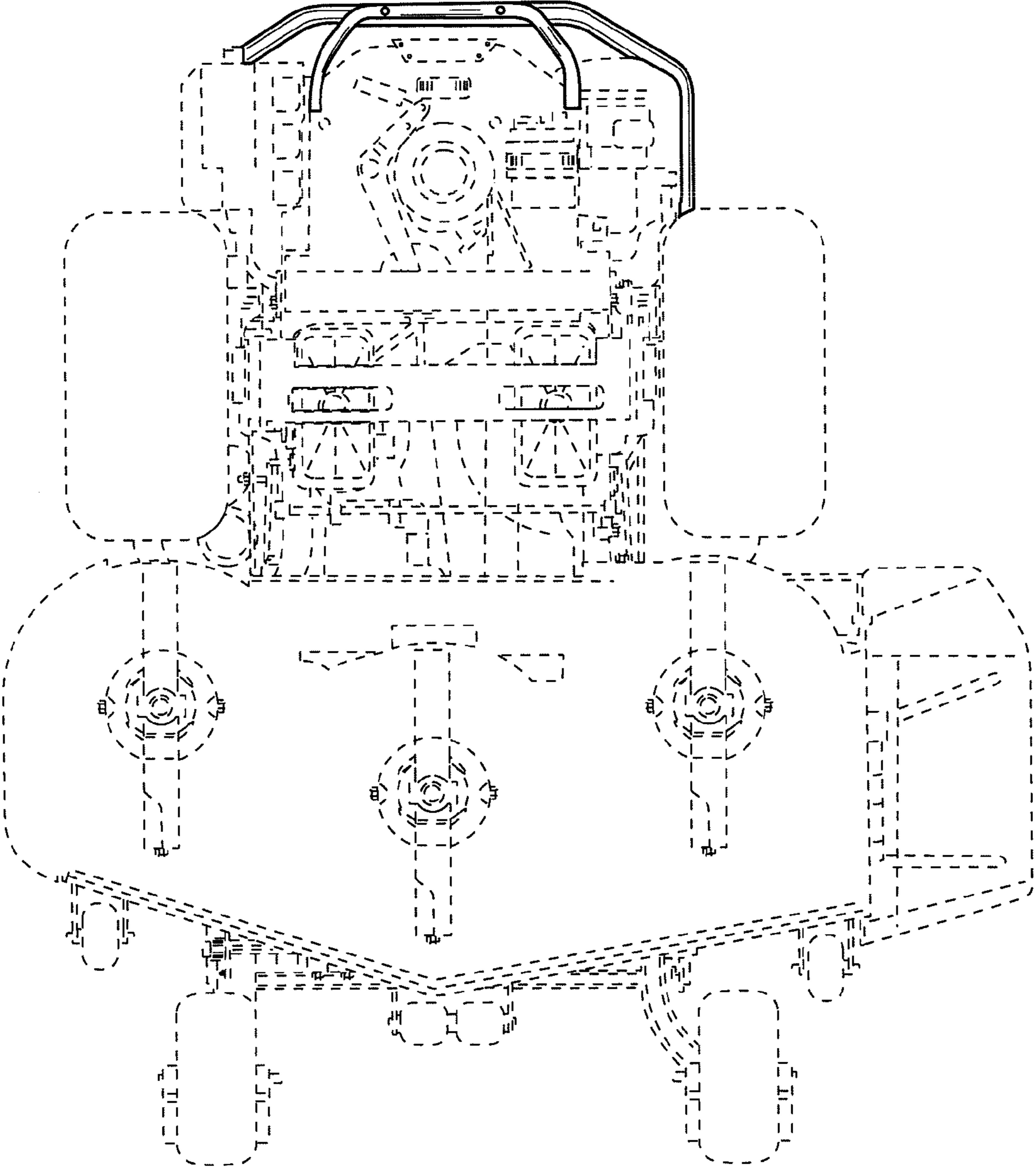
**FIG. 3**



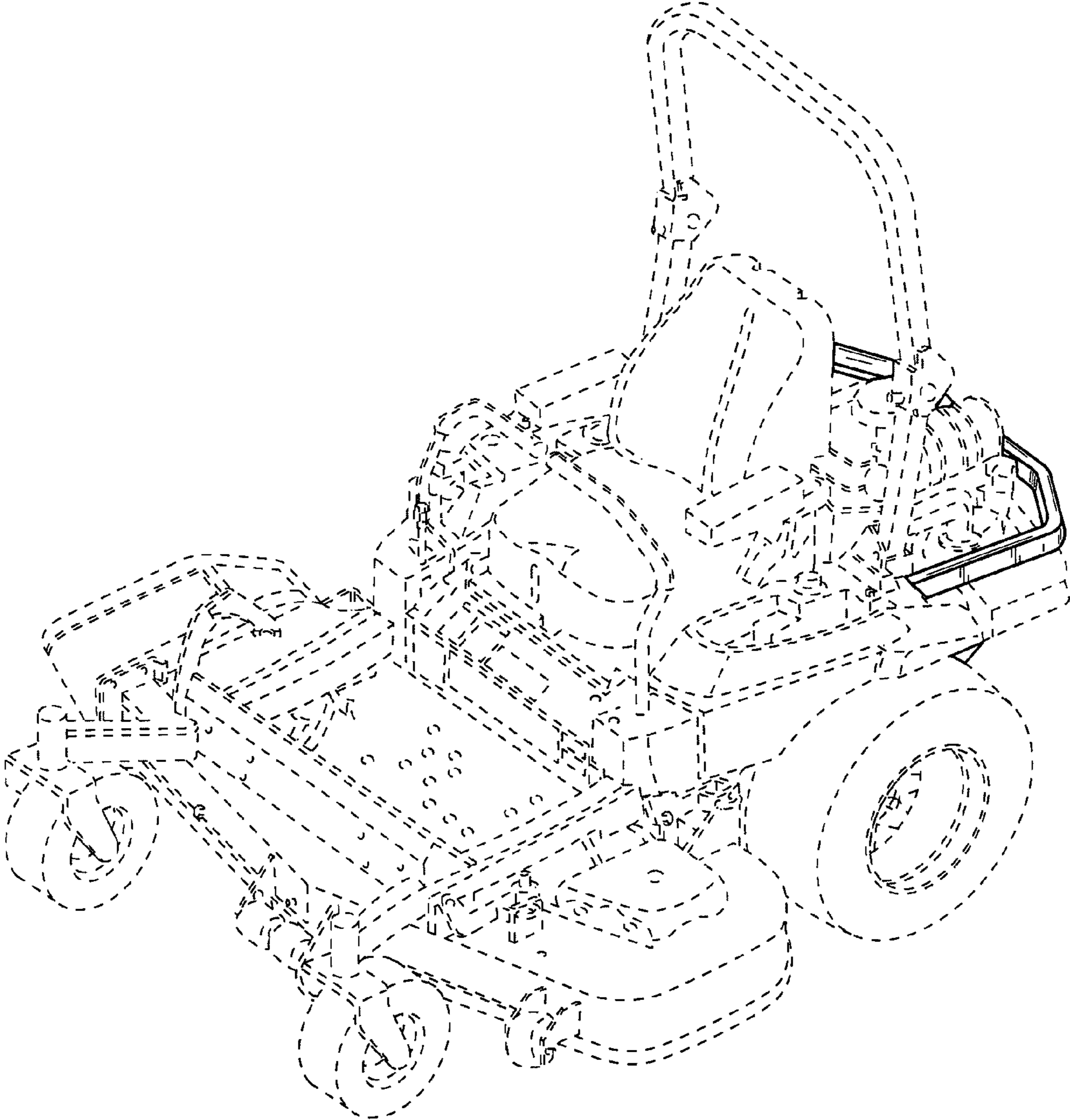
**FIG. 4**



**FIG. 5**

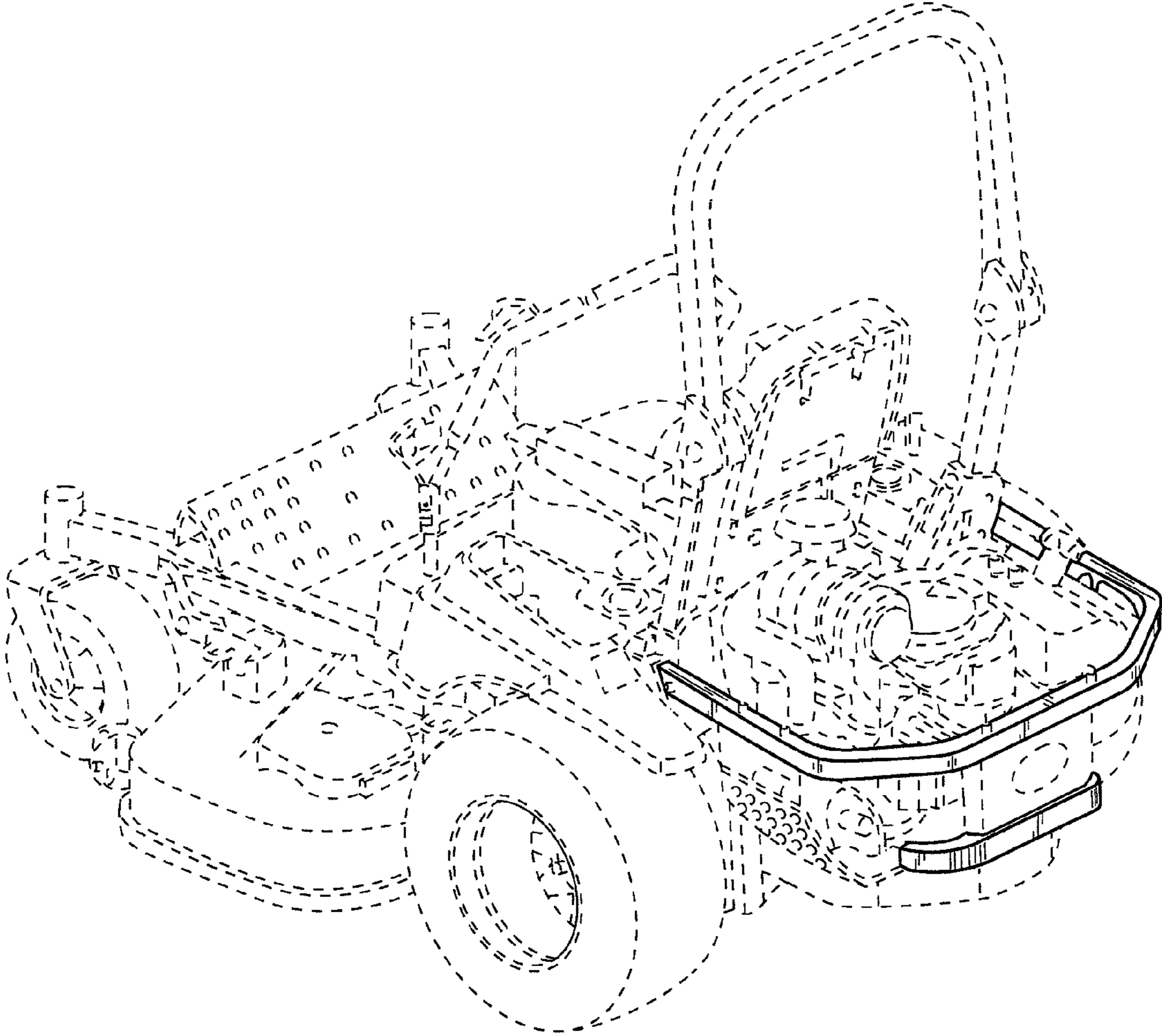


**FIG. 6**



**FIG. 7**





**FIG. 8**