



US00D681687S

(12) **United States Design Patent**
Higashikawa

(10) **Patent No.:** **US D681,687 S**

(45) **Date of Patent:** **** May 7, 2013**

(54) **SIDE FENDER FOR A RIDING TYPE MOWER**

(71) Applicant: **Kubota Corporation**, Osaka (JP)

(72) Inventor: **Yoshitaka Higashikawa**, Sakai (JP)

(73) Assignee: **Kubota Corporation**, Osaka (JP)

(**) Term: **14 Years**

(21) Appl. No.: **29/435,361**

(22) Filed: **Oct. 23, 2012**

(51) **LOC (9) Cl.** **15-03**

(52) **U.S. Cl.**
USPC **D15/17; D15/28**

(58) **Field of Classification Search** D15/14-18,
D15/22-26, 28, 31, 33; D12/184, 196; 280/160,
280/847; 56/16.1, 13.3, 15.9, 16.7, 17.4,
56/202, 255, 320.1, 13.4, 15.8, 294, 320.2;
180/68.1, 900, 69.21, 69.22, 69.23, 69.24,
180/69.25, 89.1, 69.2, 89.12, 89.19, 273,
180/68.6, 89.11, 89.13; 296/190.01, 190.08,
296/211, 190, 202, 102

See application file for complete search history.

(56) **References Cited**

U.S. PATENT DOCUMENTS

D338,896 S *	8/1993	Flenniken et al.	D15/17
D432,549 S *	10/2000	SurrIDGE et al.	D15/17
D433,425 S *	11/2000	SurrIDGE et al.	D15/17
D440,233 S *	4/2001	Smith	D15/17
D441,769 S *	5/2001	SurrIDGE	D15/17
D448,036 S *	9/2001	Goebert et al.	D15/17
D449,056 S *	10/2001	Westimayer et al.	D15/28

D457,175 S *	5/2002	Goebert et al.	D15/33
D484,894 S *	1/2004	McCord et al.	D15/28
D493,472 S *	7/2004	Higashikawa et al.	D15/28
D516,588 S *	3/2006	Higashikawa	D15/28
D562,350 S *	2/2008	Higashikawa	D15/17
D591,774 S *	5/2009	Kokitkar et al.	D15/28
D591,775 S *	5/2009	Kokitkar et al.	D15/28
D618,711 S *	6/2010	Tokuhara	D15/28
D656,520 S *	3/2012	Ortlund et al.	D15/17

* cited by examiner

Primary Examiner — Mark Goodwin

(74) *Attorney, Agent, or Firm* — Greenblum & Bernstein, P.L.C.

(57) **CLAIM**

I claim the ornamental design for a side fender for a riding type mower, as shown and described.

DESCRIPTION

FIG. 1 is a front elevational view of a side fender for a riding type mower showing my new design mounted to riding type mower in use condition;

FIG. 2 is a rear elevational view thereof;

FIG. 3 is a left side elevational view thereof;

FIG. 4 is a right side elevational view thereof;

FIG. 5 is a top plan view thereof;

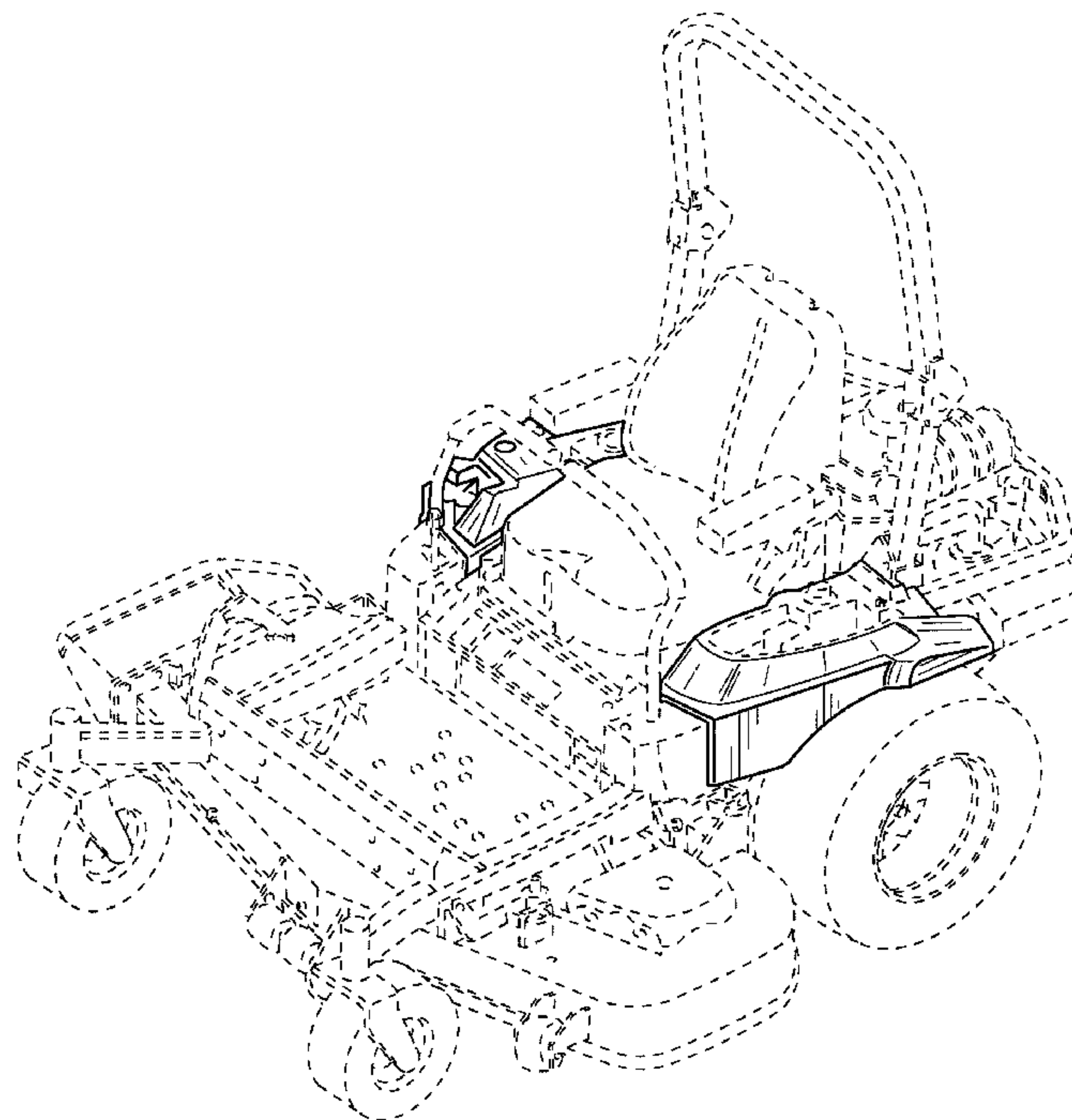
FIG. 6 is a bottom plan view thereof;

FIG. 7 is a perspective view thereof; and,

FIG. 8 is another perspective view thereof.

The broken lines indicate structure that is for illustrative purposes only and forms no part of the claimed design.

1 Claim, 8 Drawing Sheets



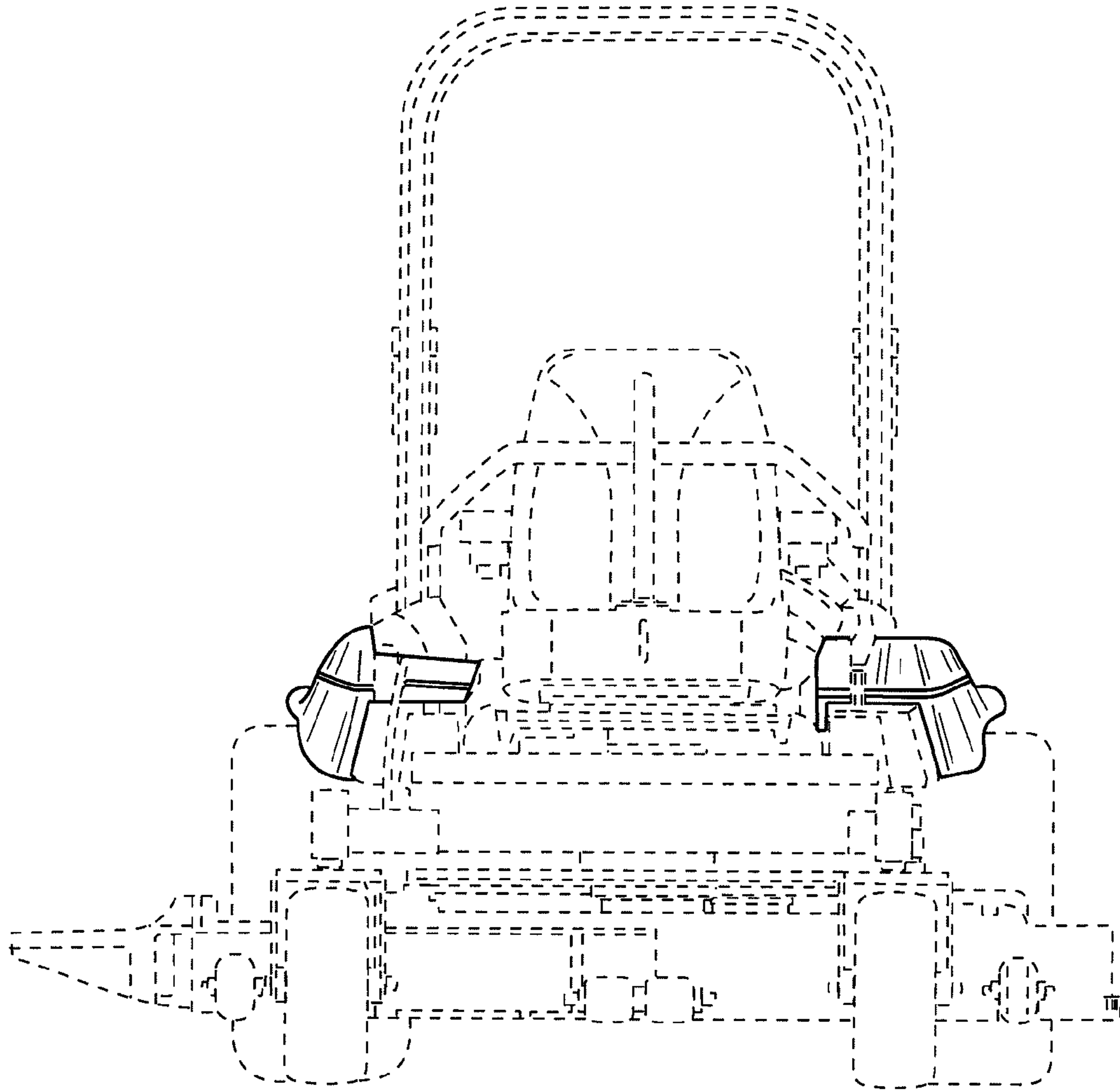


FIG. 1

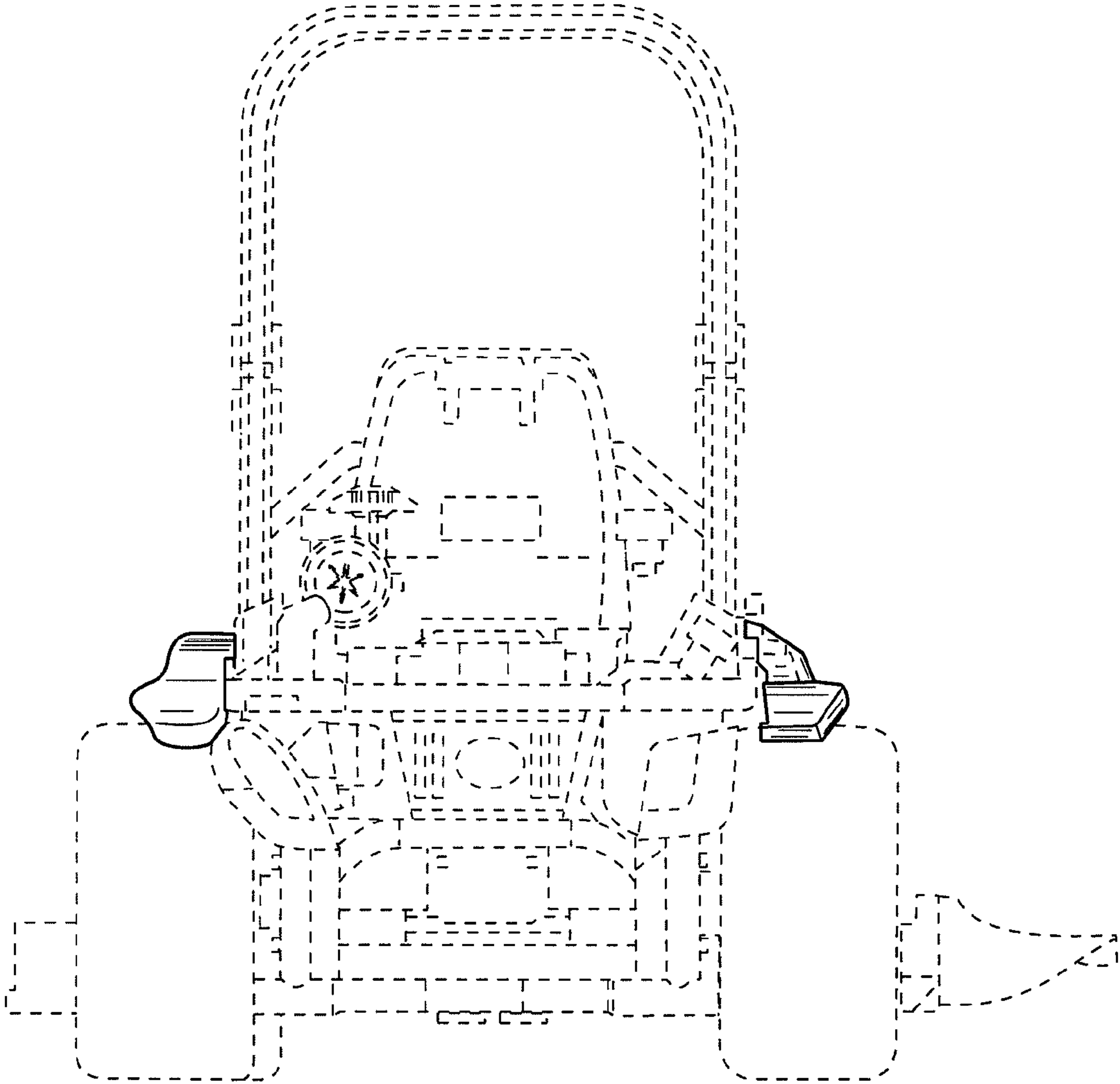


FIG. 2

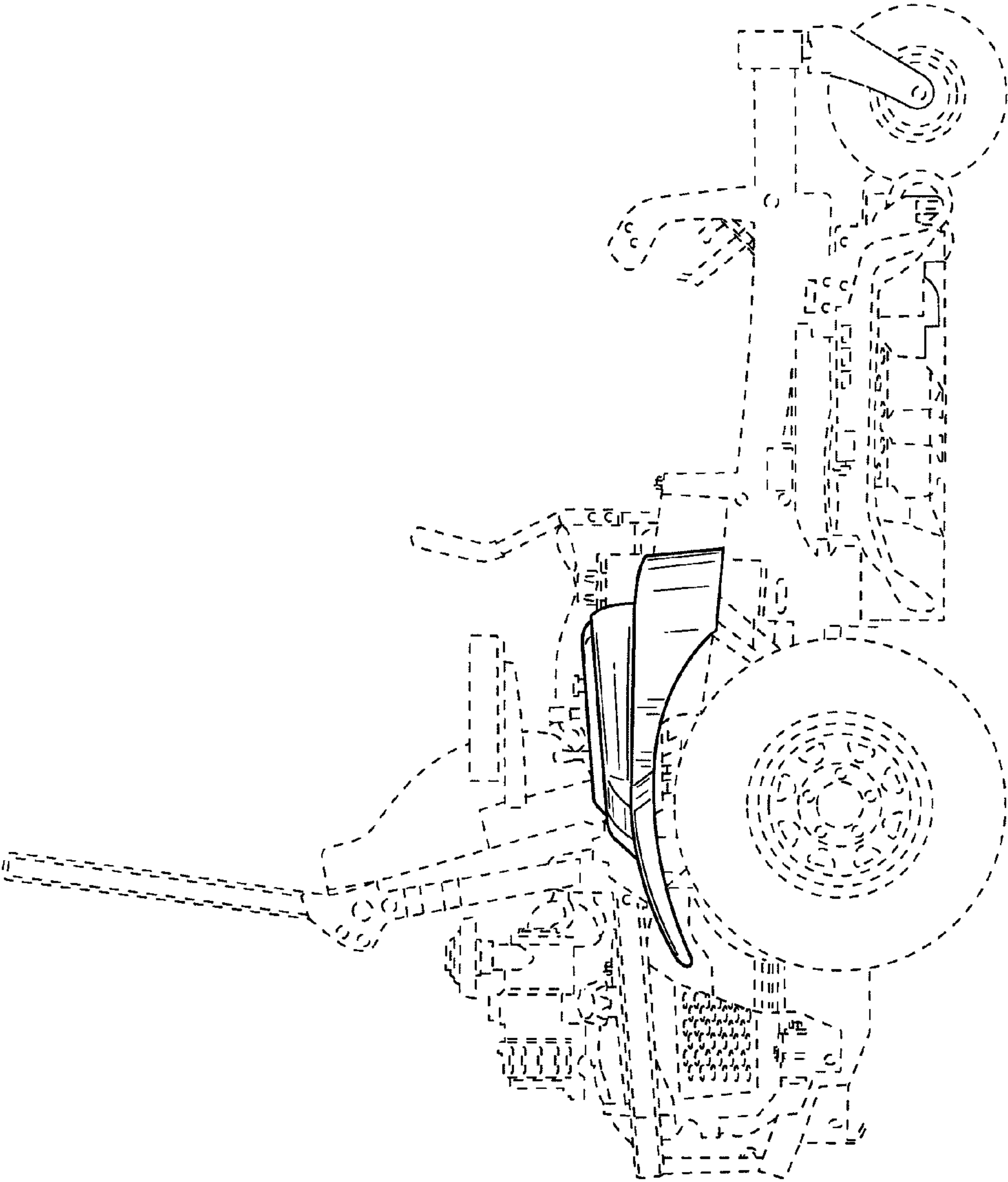


FIG. 3

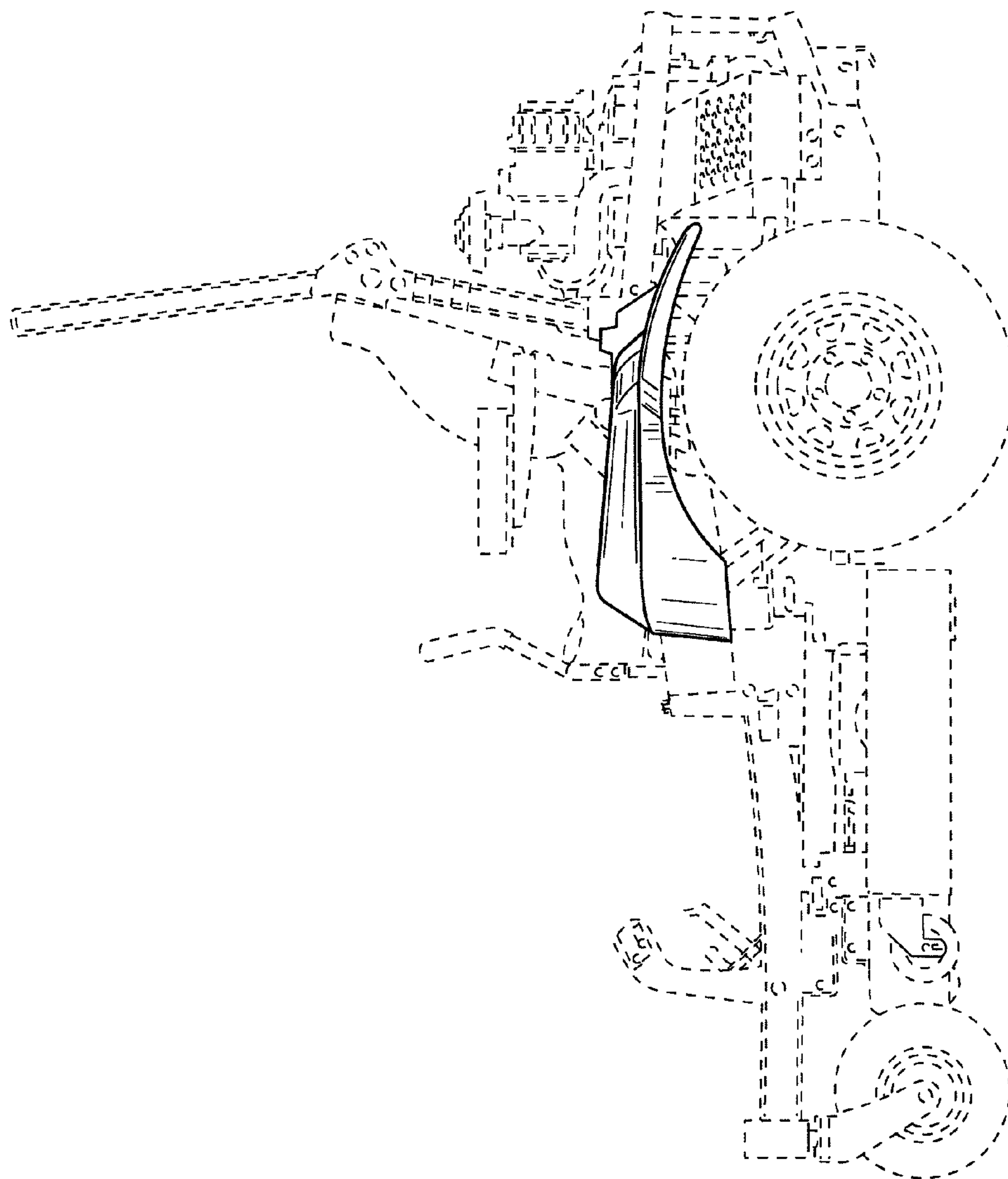


FIG. 4

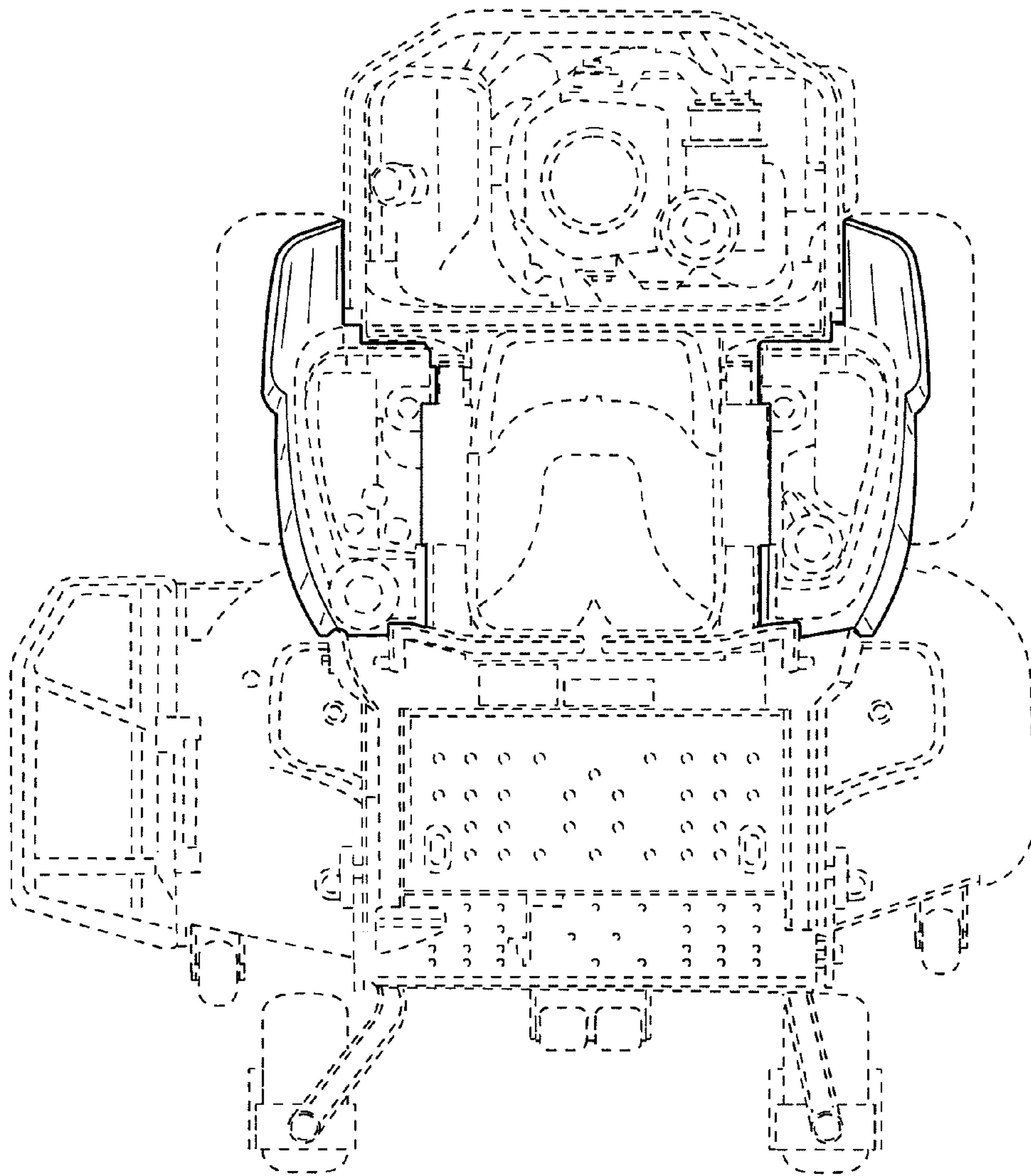


FIG. 5

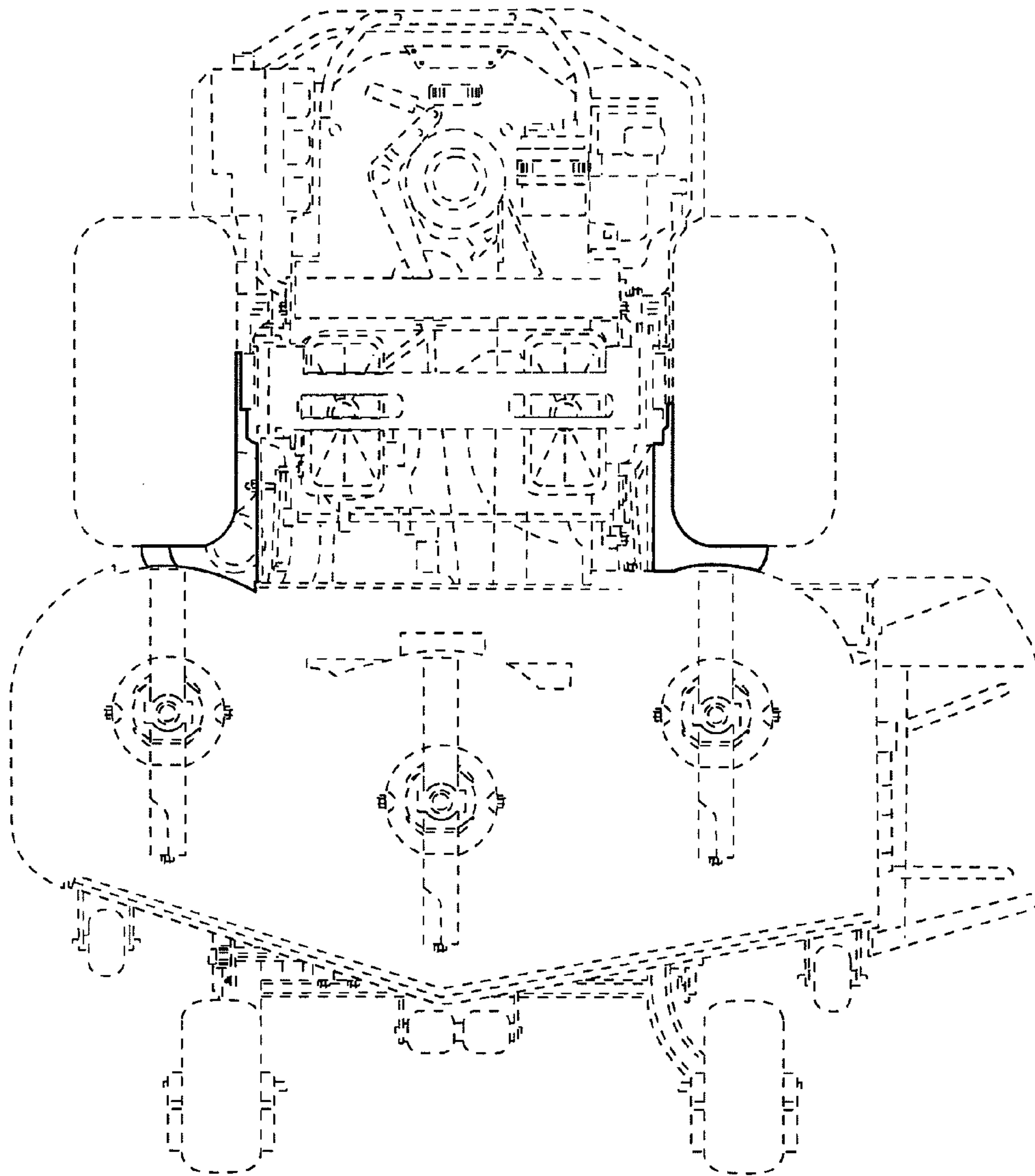


FIG. 6

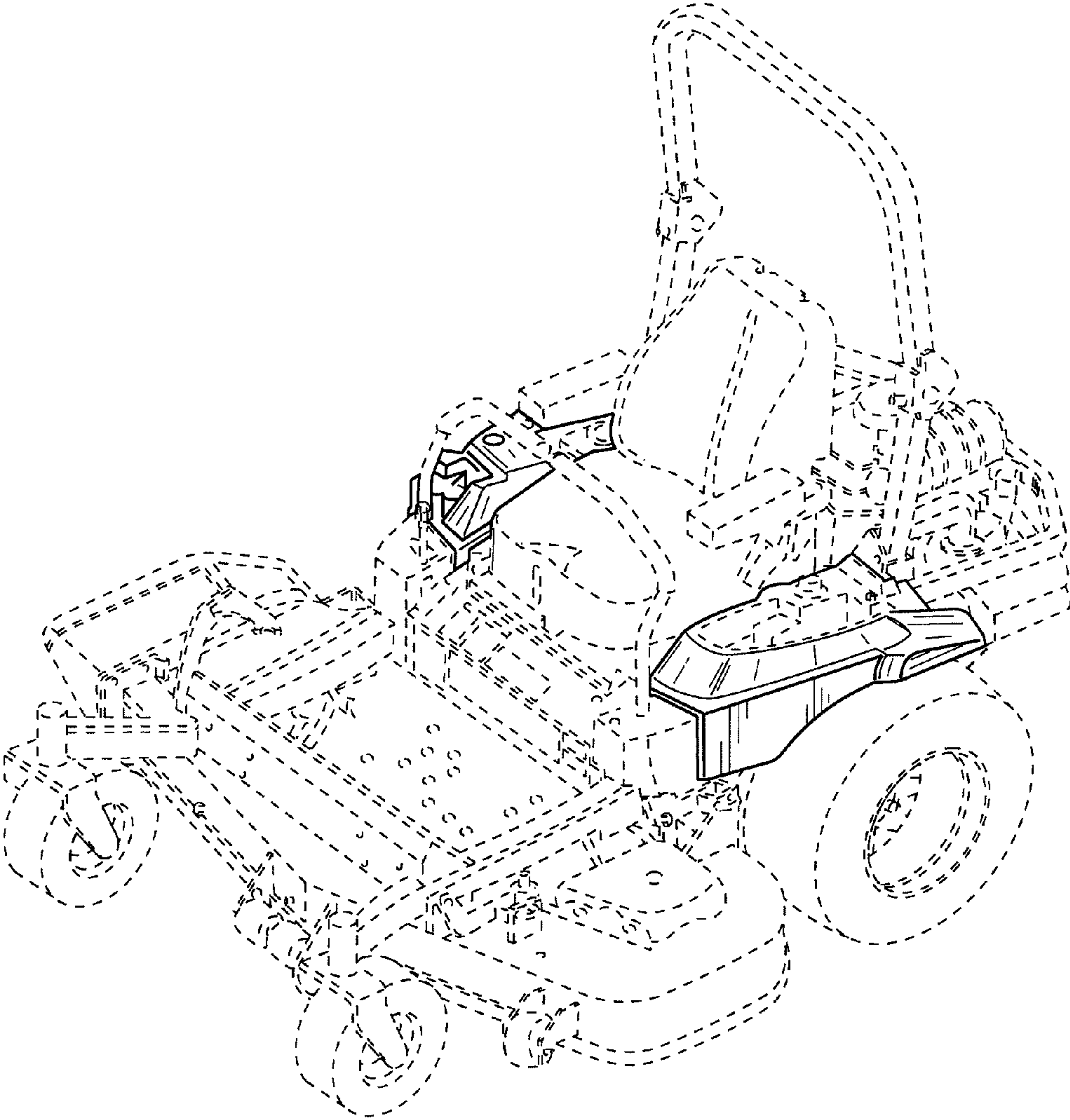


FIG. 7

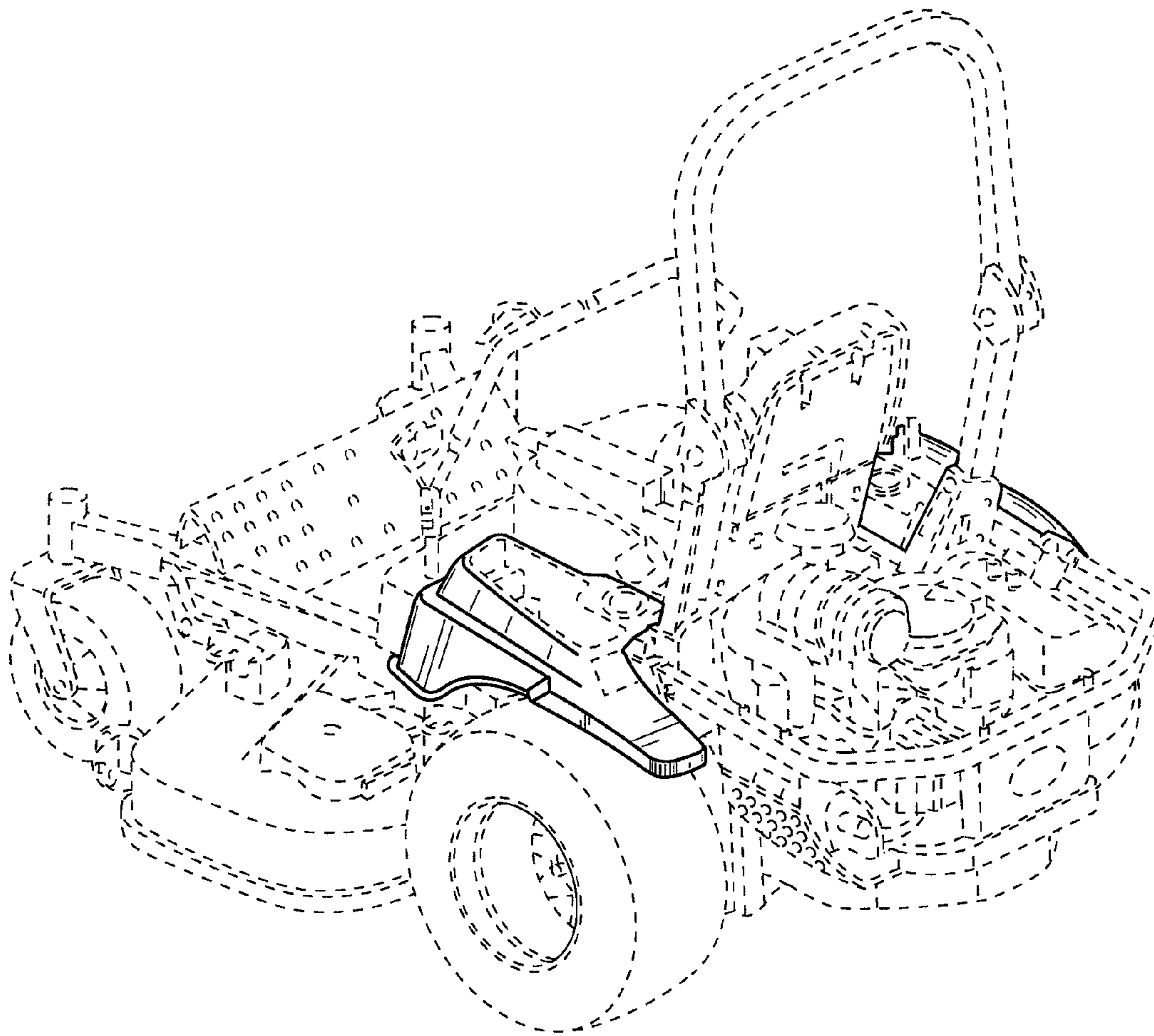


FIG. 8