



US00D681686S

(12) **United States Design Patent**  
**Higashikawa**

(10) **Patent No.:** **US D681,686 S**

(45) **Date of Patent:** **\*\* May 7, 2013**

(54) **SIDE PANEL FOR A MOWER**

(75) Inventor: **Yoshitaka Higashikawa, Sakai (JP)**

(73) Assignee: **Kubota Corporation, Osaka (JP)**

(\*\*) Term: **14 Years**

(21) Appl. No.: **29/424,202**

(22) Filed: **Jun. 8, 2012**

(30) **Foreign Application Priority Data**

Dec. 9, 2011 (JP) ..... 2011-028730

(51) **LOC (9) Cl.** ..... **15-03**

(52) **U.S. Cl.**  
USPC ..... **D15/17**

(58) **Field of Classification Search** ..... D15/10,  
D15/14, 15, 17, 22-26, 28, 33; 56/12.1,  
56/12.7, 12.8, 13.4, 13.7, 16.7, 17.1, 17.5,  
56/202, 255, 320.1-320.2; 180/89.1, 311;  
D12/218, 121

See application file for complete search history.

(56) **References Cited**

**U.S. PATENT DOCUMENTS**

D392,981 S *	3/1998	Smith	.....	D15/15
D397,121 S *	8/1998	Smith	.....	D15/15
D433,425 S *	11/2000	Surrige et al.	.....	D15/17
D440,233 S *	4/2001	Smith	.....	D15/17
D448,036 S *	9/2001	Goebert et al.	.....	D15/17
D484,894 S *	1/2004	McCord et al.	.....	D15/28
D493,472 S *	7/2004	Higashikawa et al.	.....	D15/28

D516,588 S *	3/2006	Higashikawa	.....	D15/28
D591,774 S *	5/2009	Kokitkar et al.	.....	D15/28
D591,775 S *	5/2009	Kokitkar et al.	.....	D15/28
D593,134 S *	5/2009	Kuwae et al.	.....	D15/28
D618,711 S *	6/2010	Tokuhara	.....	D15/28

\* cited by examiner

*Primary Examiner* — Mark Goodwin

(74) *Attorney, Agent, or Firm* — Greenblum & Bernstein, P.L.C.

(57) **CLAIM**

I claim the ornamental design for a side panel for a mower, as shown and described.

**DESCRIPTION**

FIG. 1 is a front elevational view of a side panel for a mower, showing my new design;

FIG. 2 is a rear elevational view thereof;

FIG. 3 is a left side elevational view thereof;

FIG. 4 is a right side elevational view thereof;

FIG. 5 is a top plan view thereof;

FIG. 6 is a perspective view thereof;

FIG. 7 is another perspective view thereof;

FIG. 8 is another perspective view thereof;

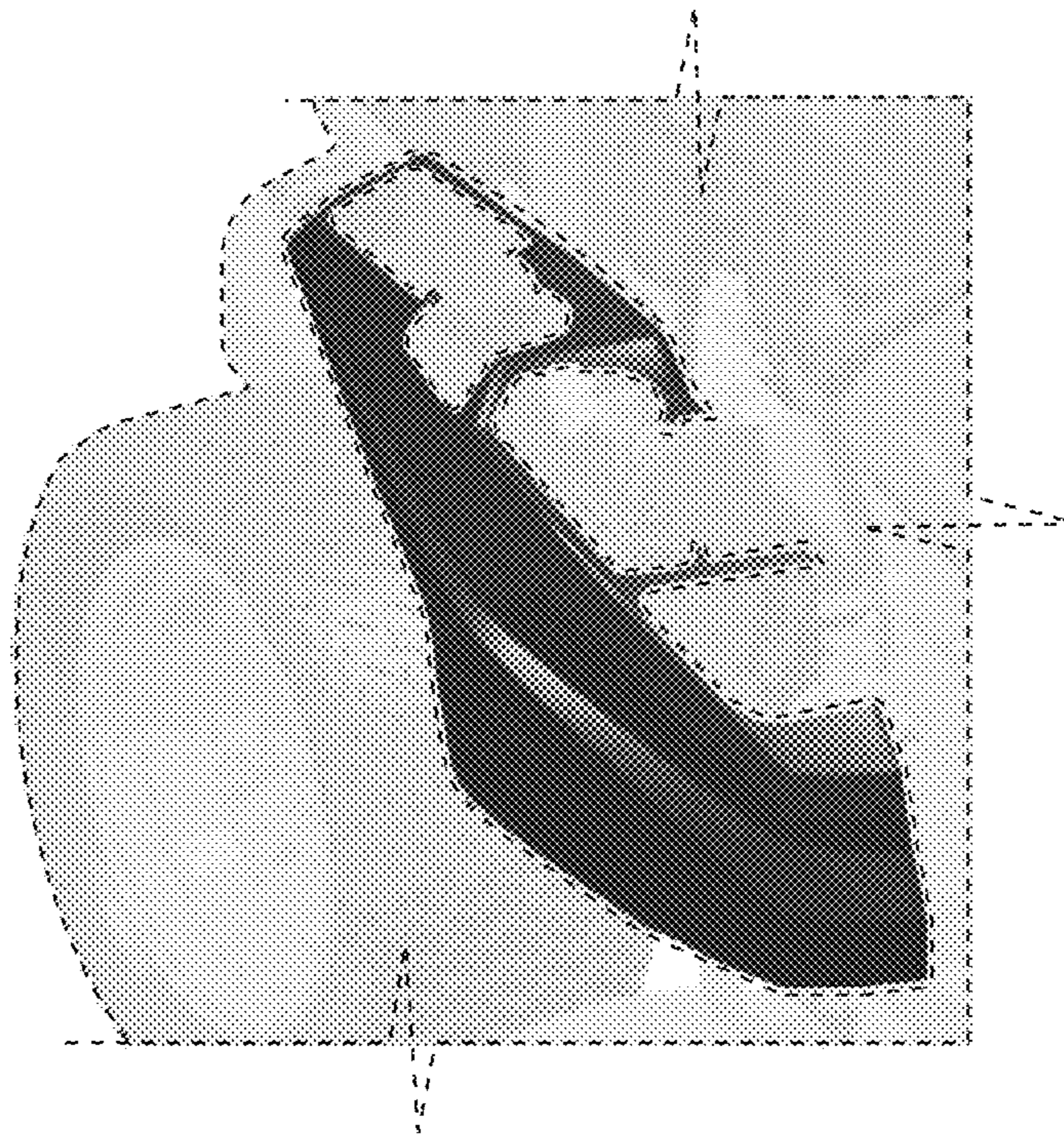
FIG. 9 is another perspective view thereof;

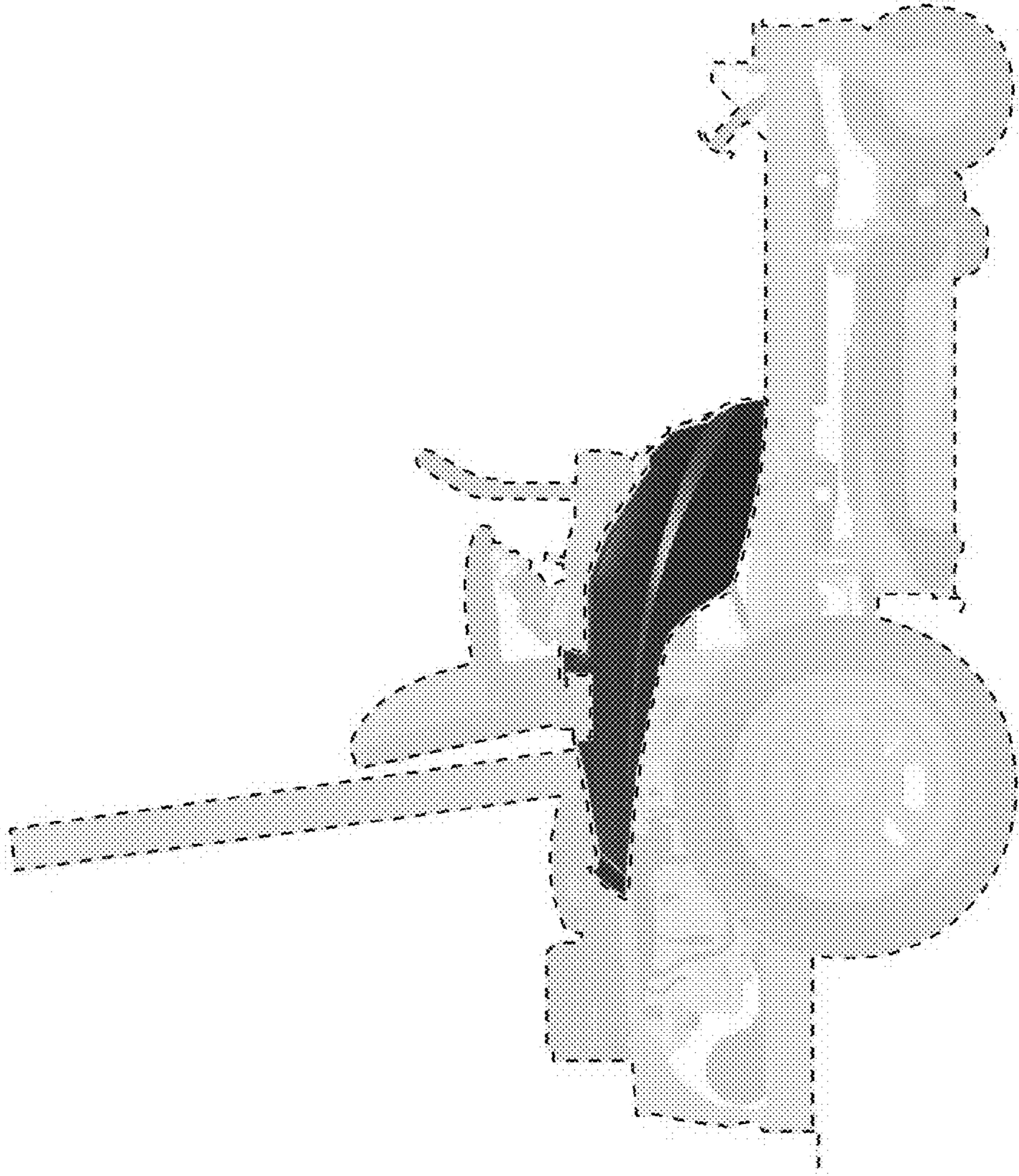
FIG. 10 is an enlarged view of a portion enclosed by A-A and B-B in FIG. 6; and,

FIG. 11 is an enlarged view of a portion enclosed by C-C and D-D in FIG. 8.

In each of the drawings, the portion shown in lighter ink and broken lines indicates structure that is for illustrative purposes only and forms no part of the claimed design. A bottom plan view has been omitted because it is devoid of ornamentation and forms no part of the claimed design.

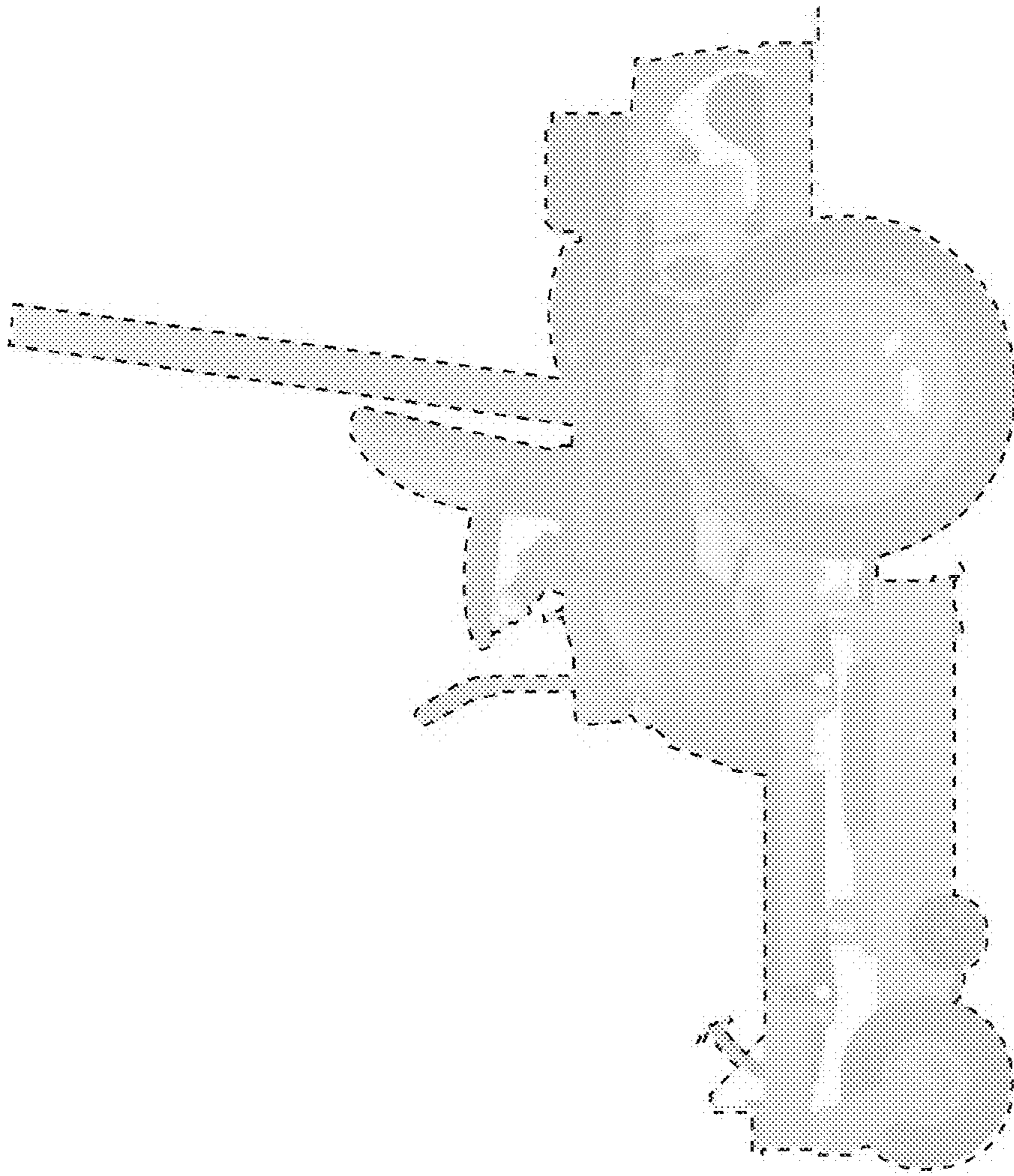
**1 Claim, 11 Drawing Sheets**



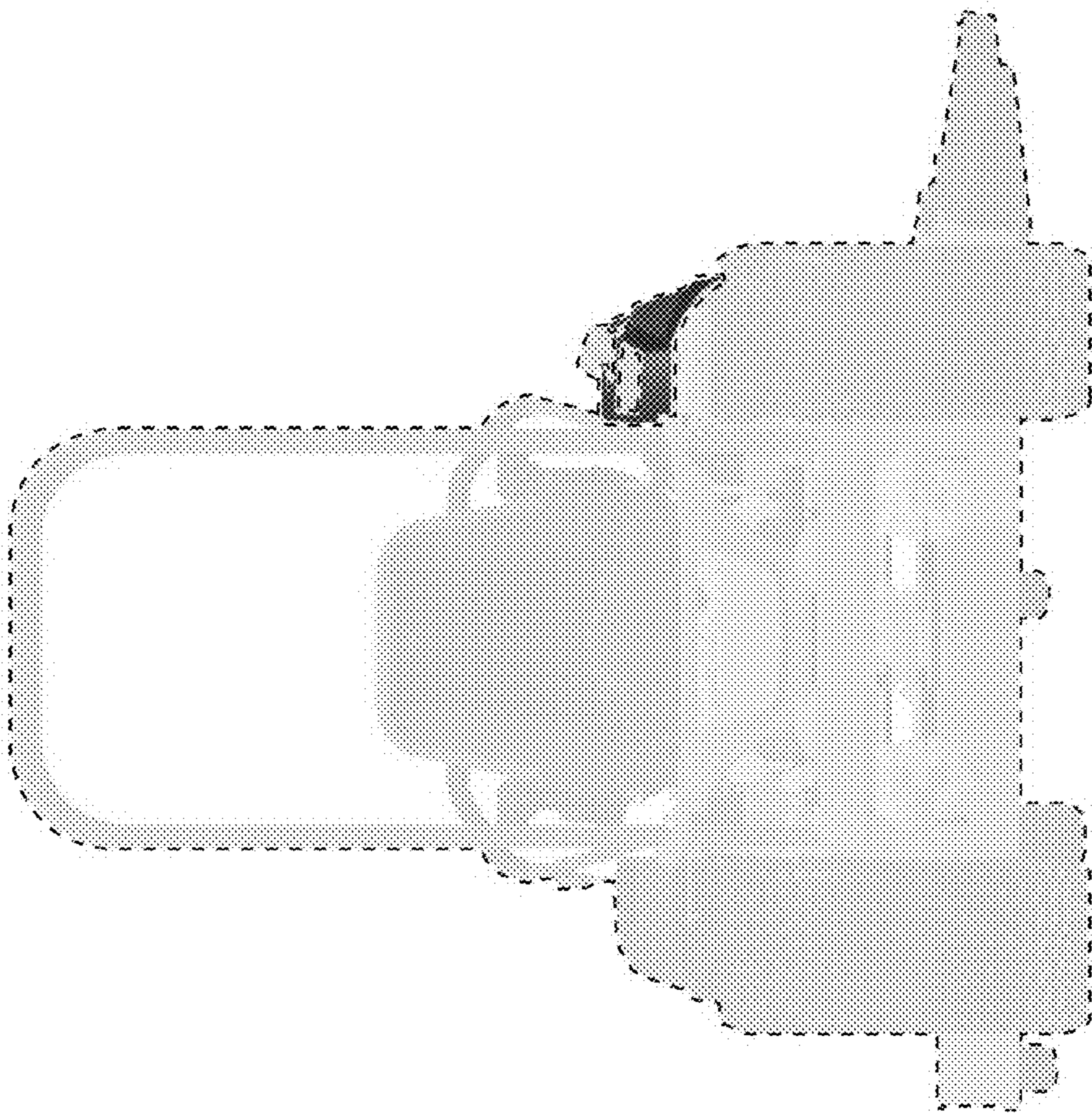


**FIG. 1**

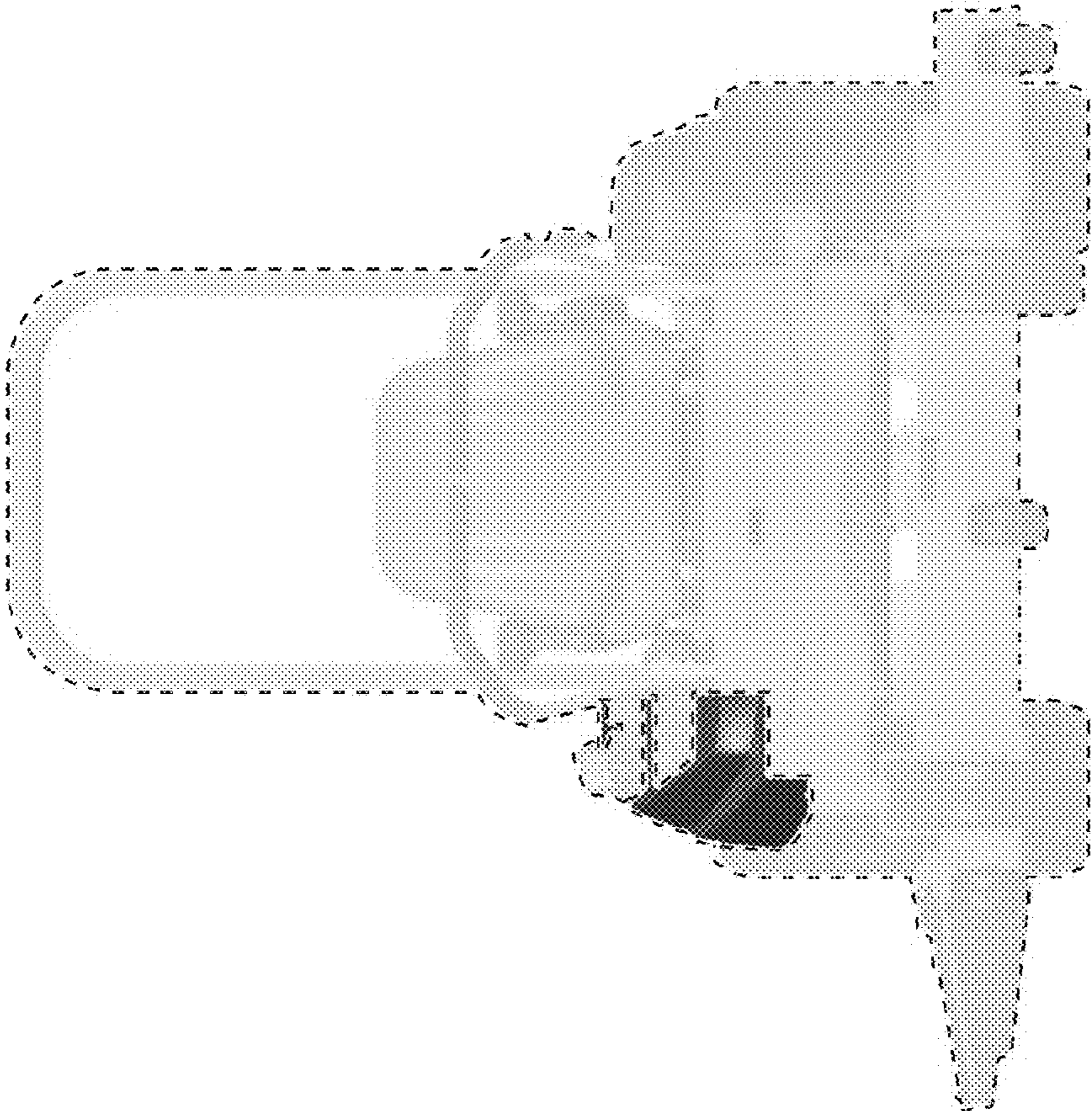




**FIG. 2**

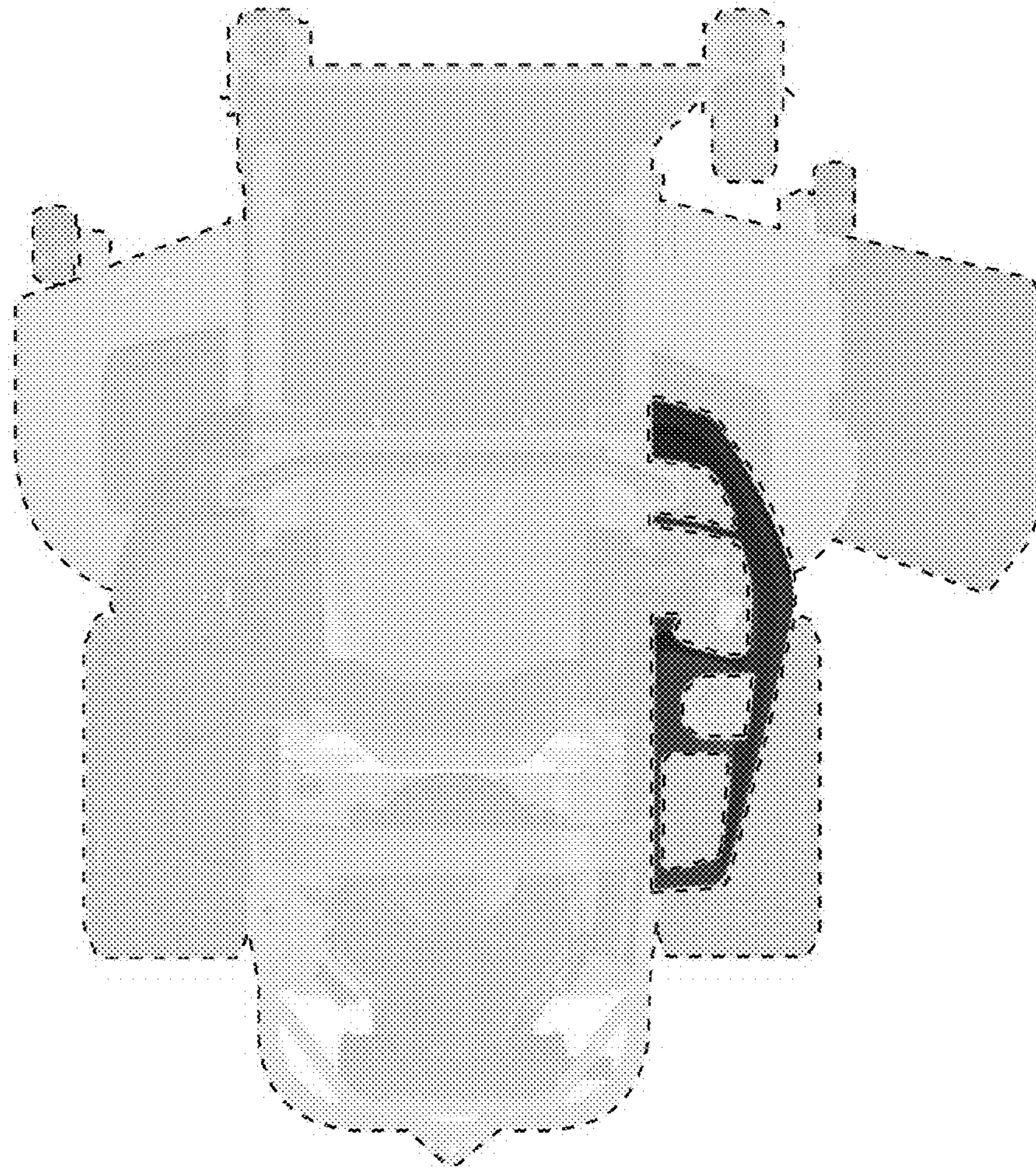


**FIG. 3**

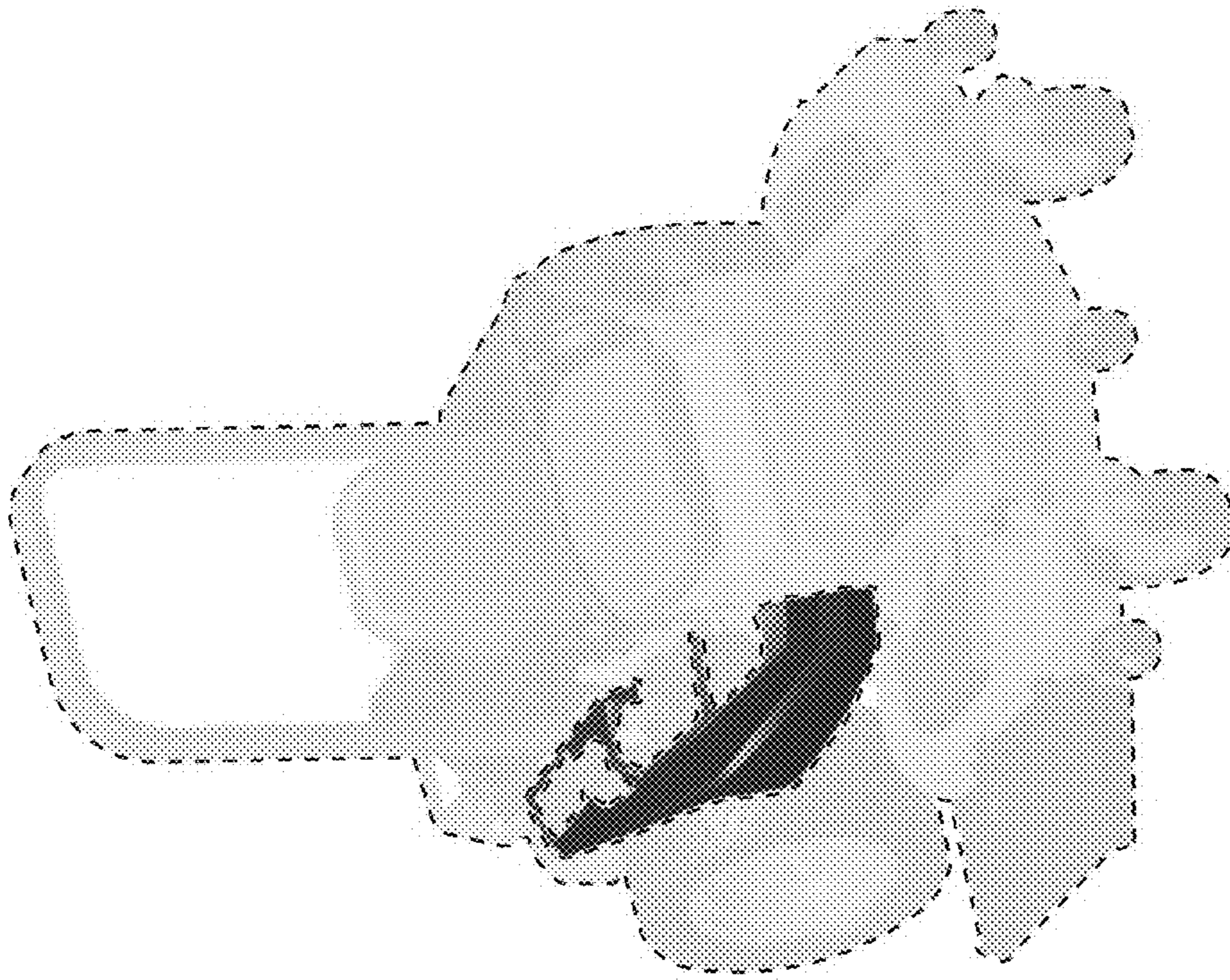


**FIG. 4**

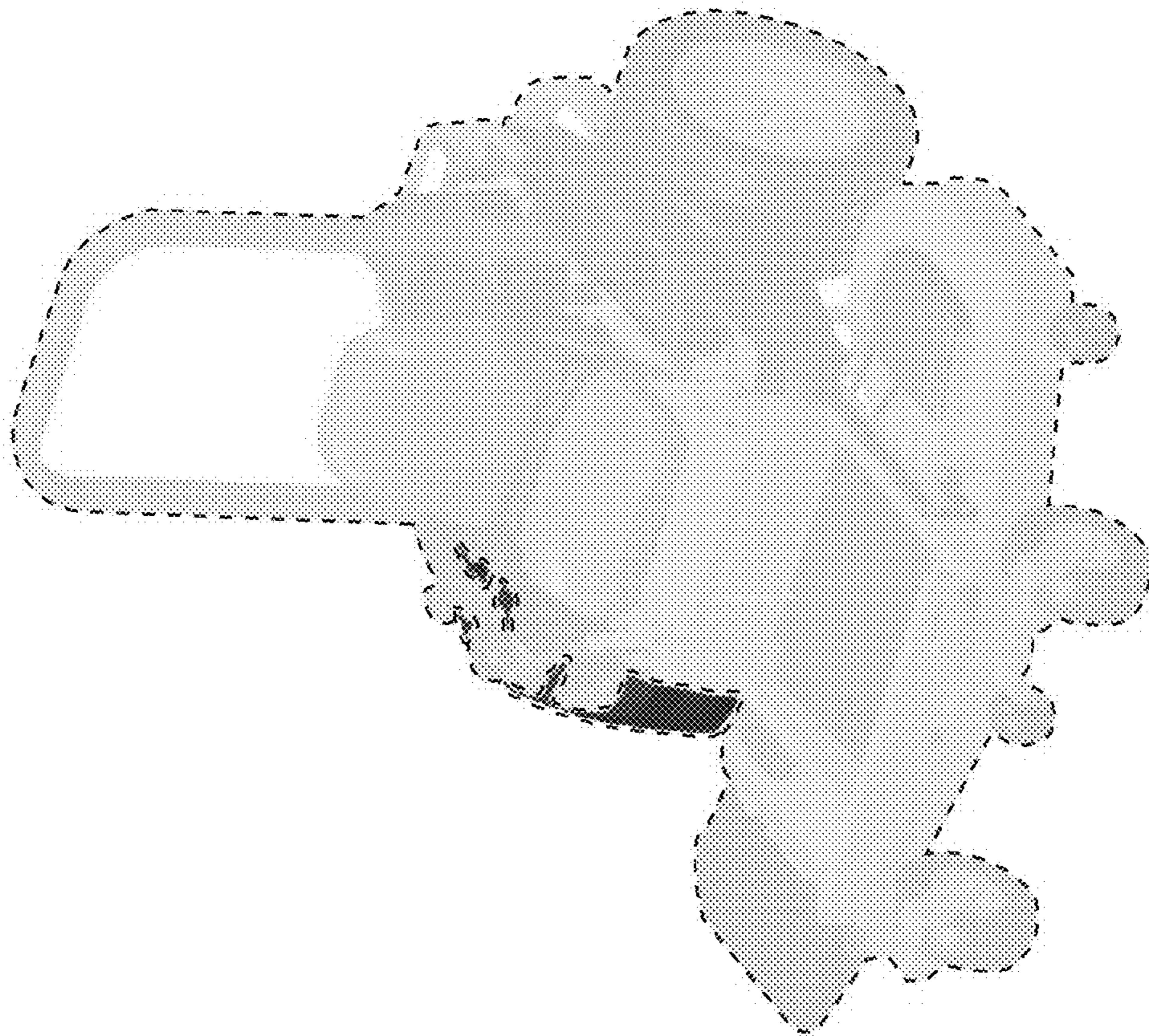




**FIG. 5**



**FIG. 6**

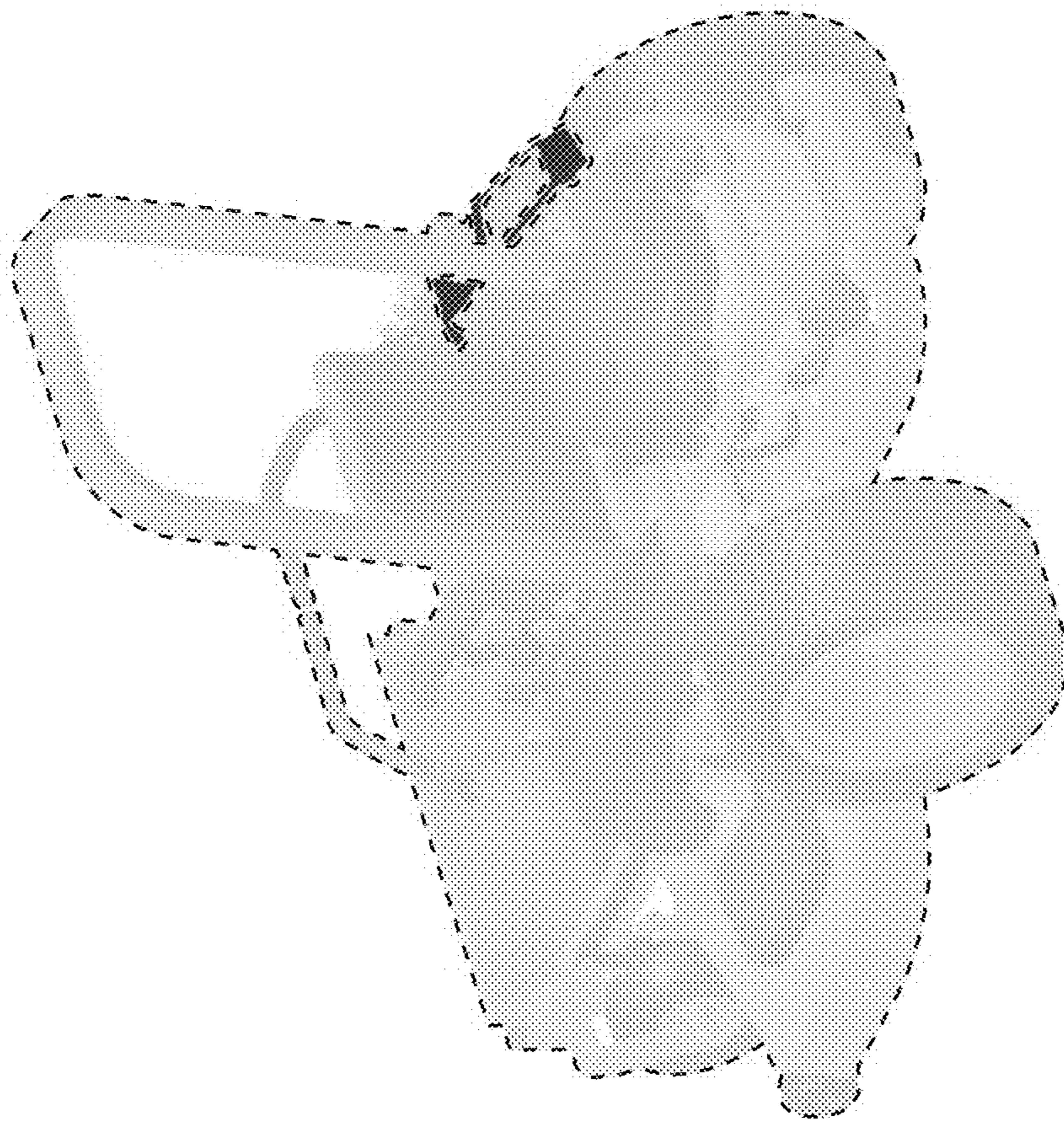


**FIG. 7**



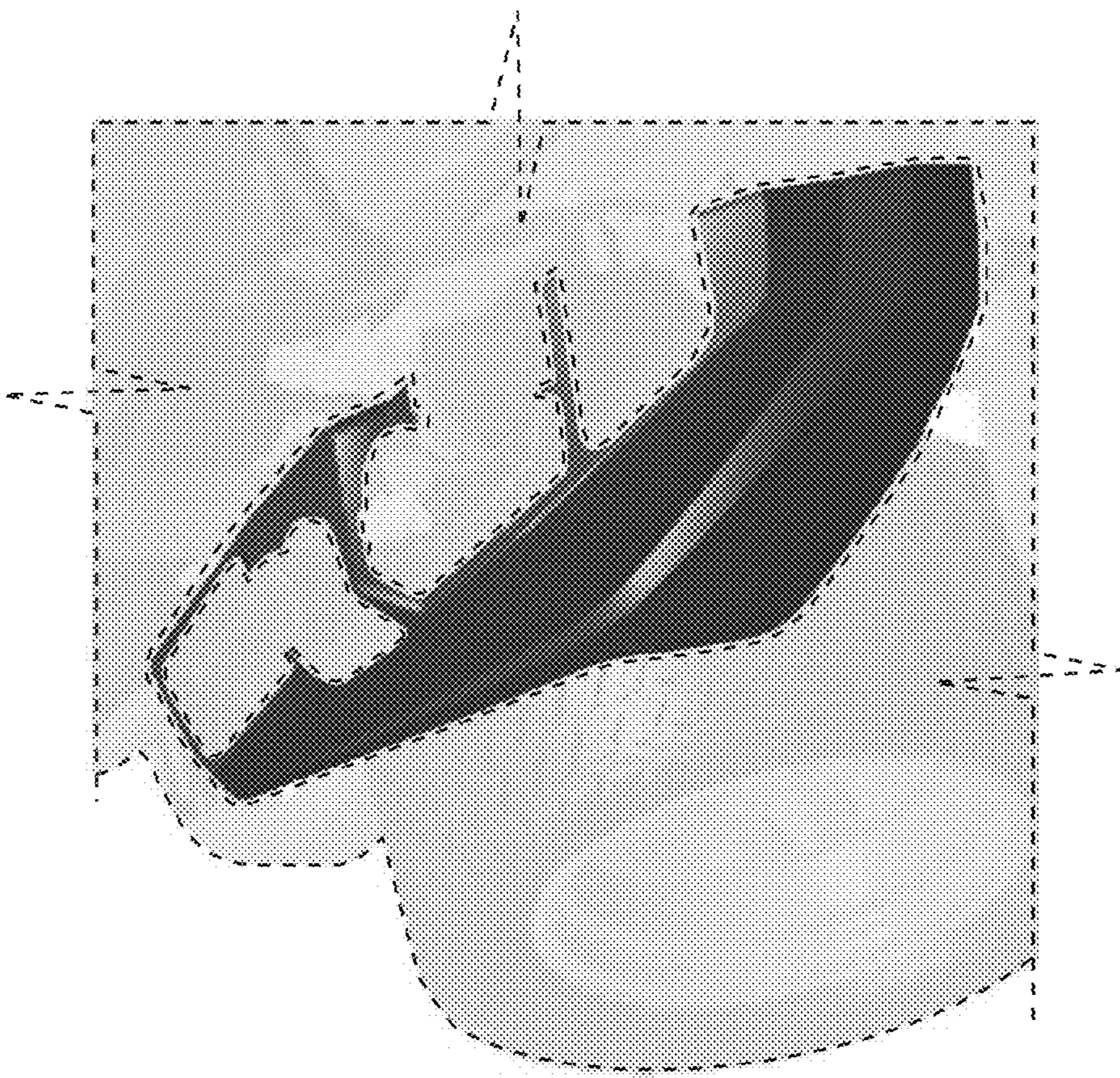


**FIG. 8**



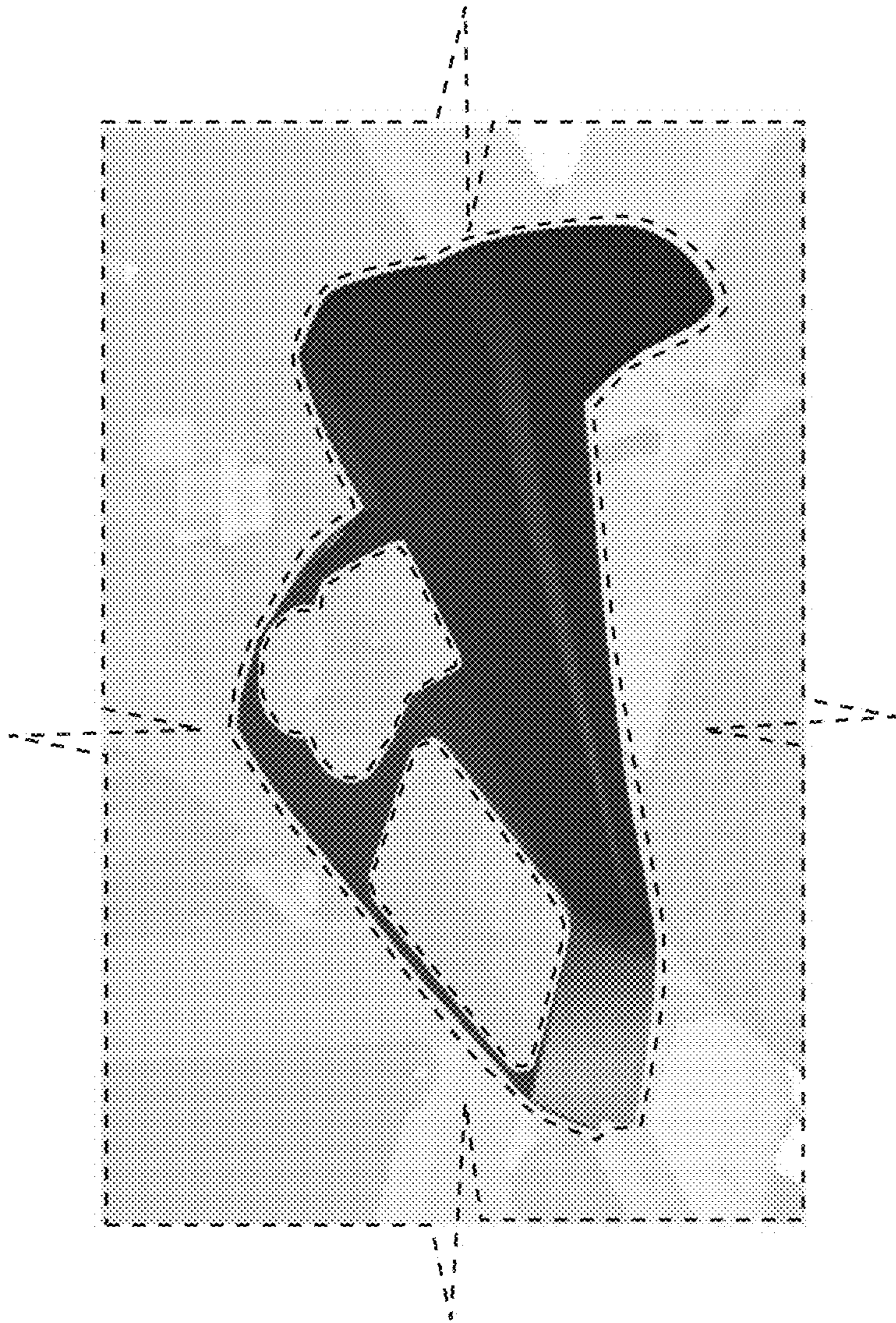
**FIG. 9**





**FIG. 10**





**FIG. 11**