



US00D681685S

(12) **United States Design Patent**
Higashikawa

(10) **Patent No.:** **US D681,685 S**

(45) **Date of Patent:** **** May 7, 2013**

(54) **RIDING TYPE MOWER**

(71) Applicant: **Kubota Corporation**, Osaka (JP)

(72) Inventor: **Yoshitaka Higashikawa**, Sakai (JP)

(73) Assignee: **Kubota Corporation**, Osaka (JP)

(**) Term: **14 Years**

(21) Appl. No.: **29/435,357**

(22) Filed: **Oct. 23, 2012**

(51) **LOC (9) Cl.** **15-03**

(52) **U.S. Cl.**
USPC **D15/15**

(58) **Field of Classification Search** D15/10,
D15/14-18, 22-26, 33; 56/12.8, 12.7, 13.4,
56/16.7, 17.5, 202, 254, 255, 294, 11.4, 320.1,
56/320.2, 249, 252, 11.9, 17.1, 17.4, 295,
56/15.8, 13.3, 10.1, 15.9; 280/43.17; 180/69.2,
180/89.1, 89.12, 900, 273

See application file for complete search history.

(56) **References Cited**

U.S. PATENT DOCUMENTS

D359,740 S * 6/1995 Crosby et al. D15/15
D380,761 S * 7/1997 Saylor D15/15
D389,490 S * 1/1998 Shimamura et al. D15/15
5,816,033 A * 10/1998 Busboom et al. 56/10.8

D409,208 S * 5/1999 Eavenson et al. D15/15
D450,330 S * 11/2001 Katoh et al. D15/15
D486,160 S * 2/2004 Higashikawa et al. D15/15
D495,718 S * 9/2004 Higashikawa D15/15
D512,444 S * 12/2005 Ayers et al. D15/15
D538,302 S * 3/2007 Higashikawa D15/15
D560,690 S * 1/2008 Higashikawa D15/10
D626,572 S * 11/2010 Moriguchi et al. D15/15
D674,816 S 1/2013 Higashikawa et al.

* cited by examiner

Primary Examiner — Mark Goodwin

(74) *Attorney, Agent, or Firm* — Greenblum & Bernstein,
P.L.C.

(57) **CLAIM**

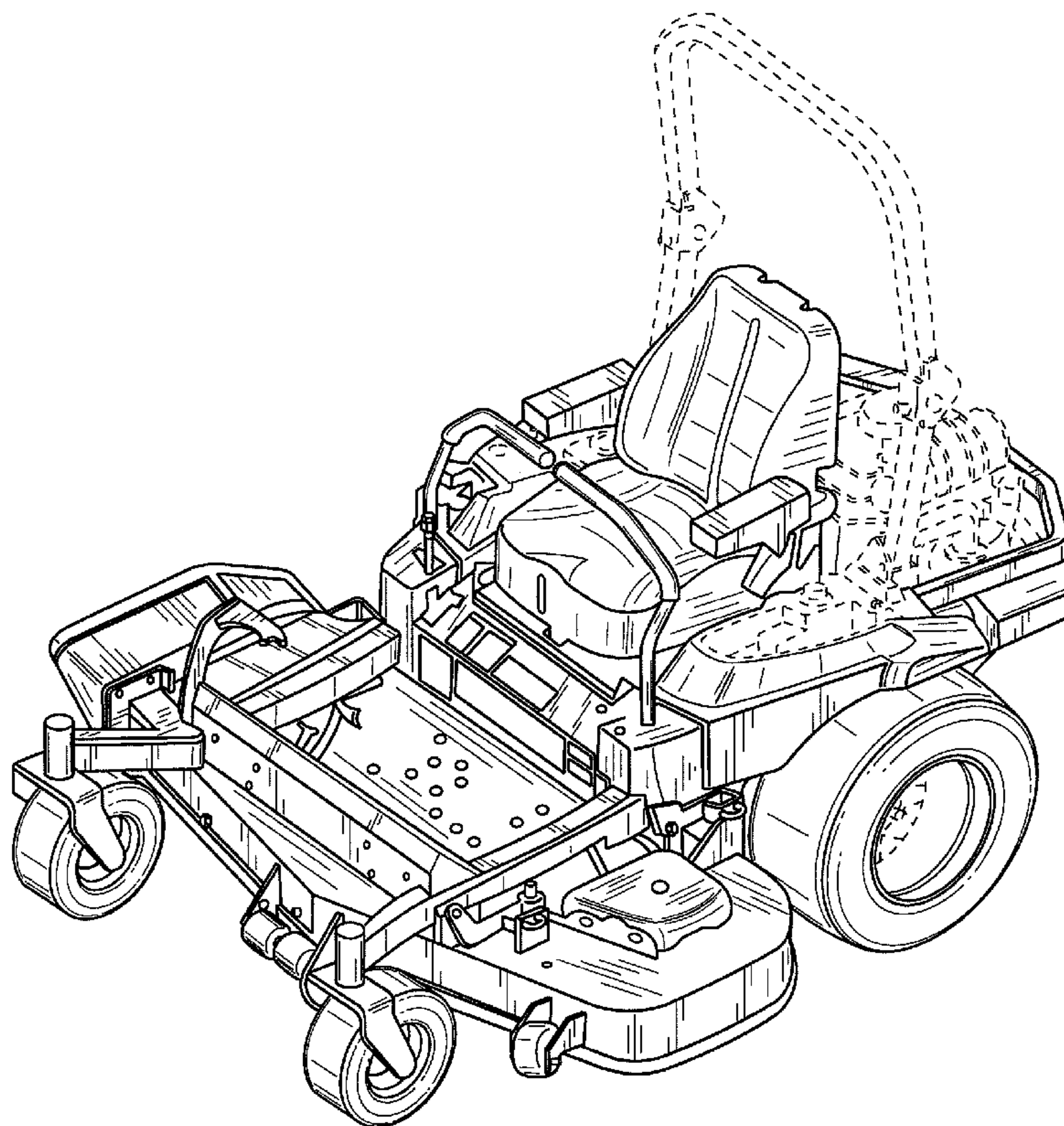
I claim the ornamental design for a riding type mower, as shown and described.

DESCRIPTION

FIG. 1 is a front elevational view of a riding type mower, showing my new design;
FIG. 2 is a rear elevational view thereof;
FIG. 3 is a left side elevational view thereof;
FIG. 4 is a right side elevational view thereof;
FIG. 5 is a top plan view thereof;
FIG. 6 is a bottom plan view thereof;
FIG. 7 is a perspective view thereof; and,
FIG. 8 is another perspective view thereof.

The broken lines indicate structure that is for illustrative purposes only and forms no part of the claimed design.

1 Claim, 8 Drawing Sheets



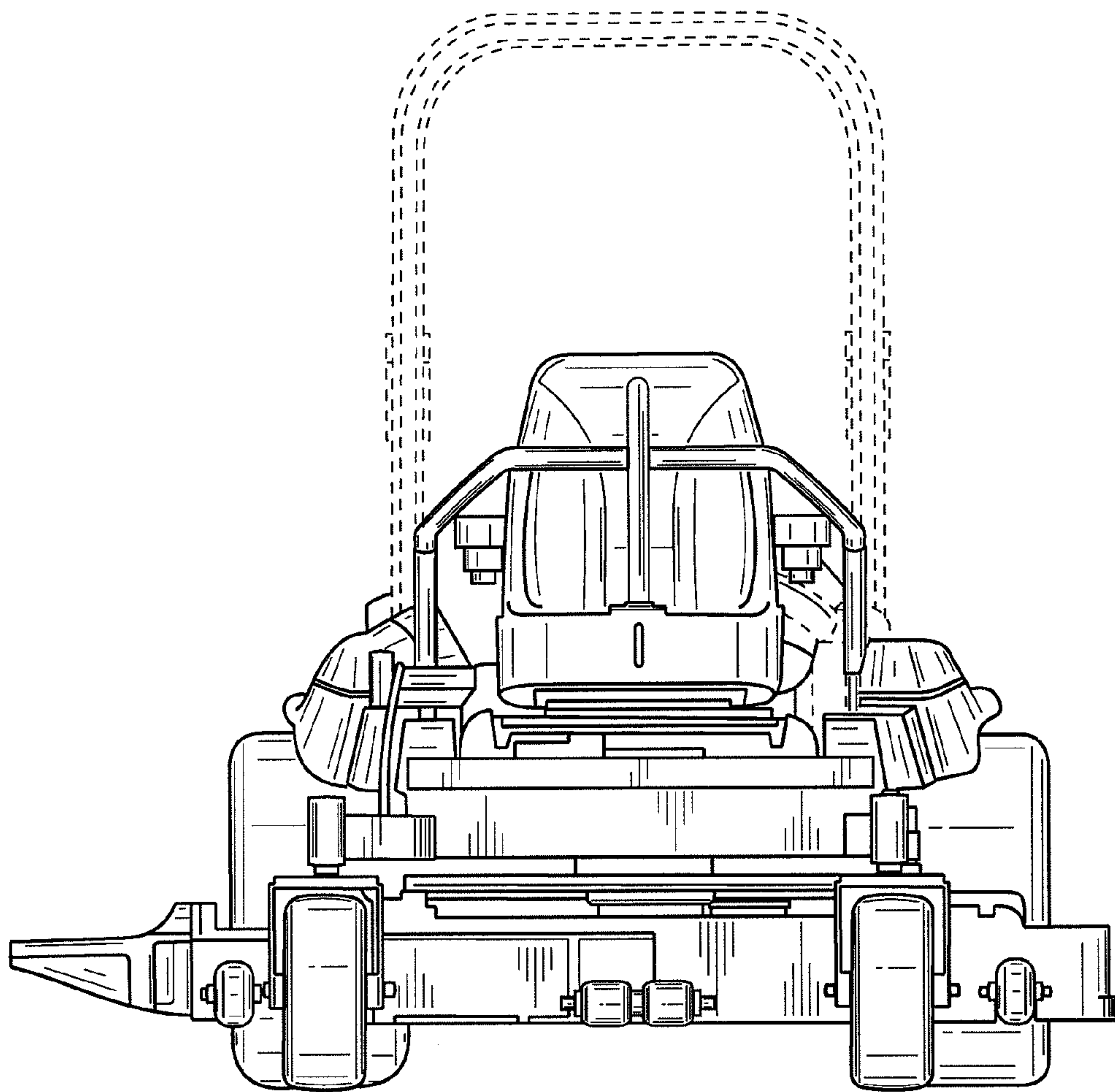


FIG. 1

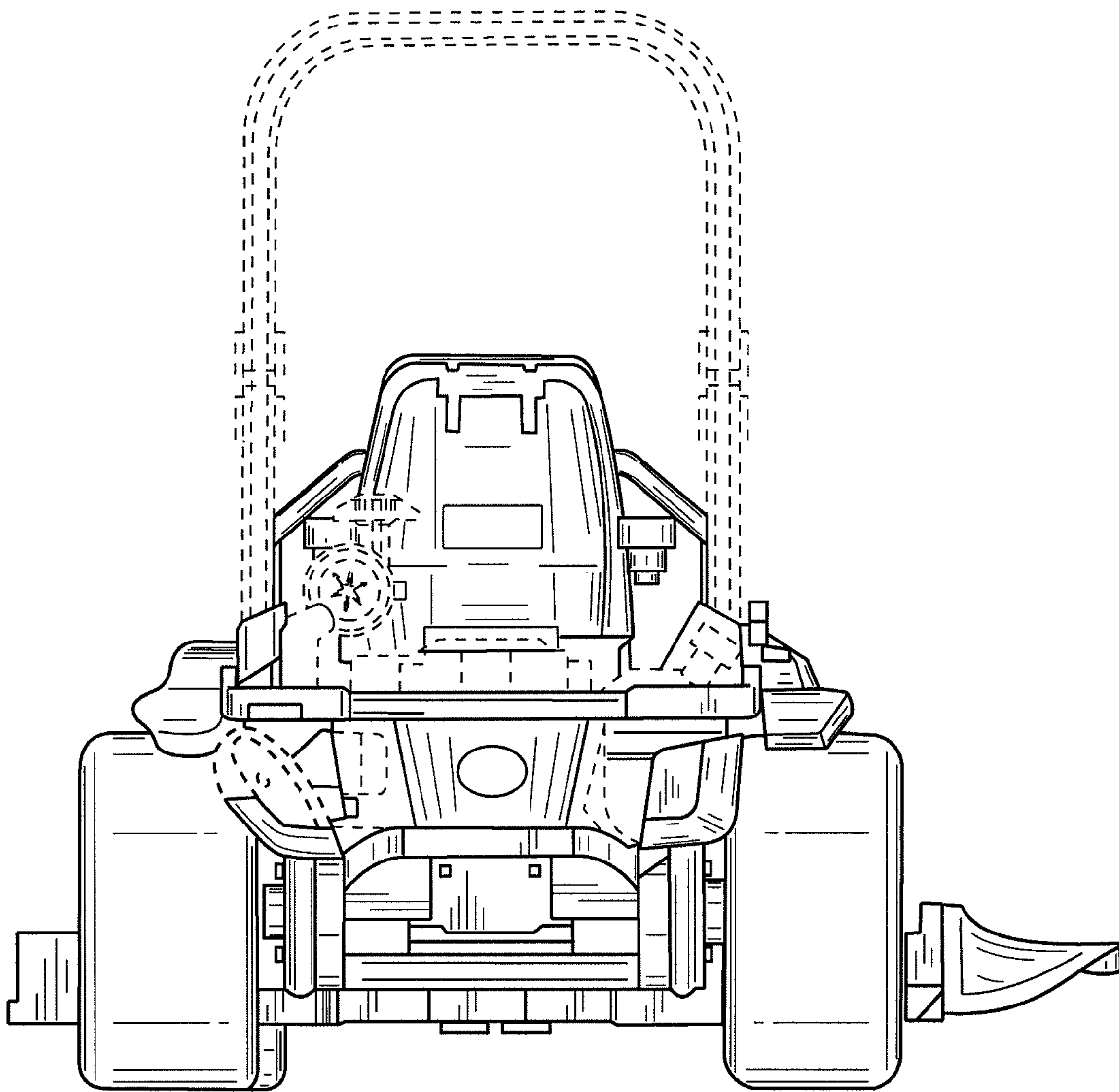


FIG. 2

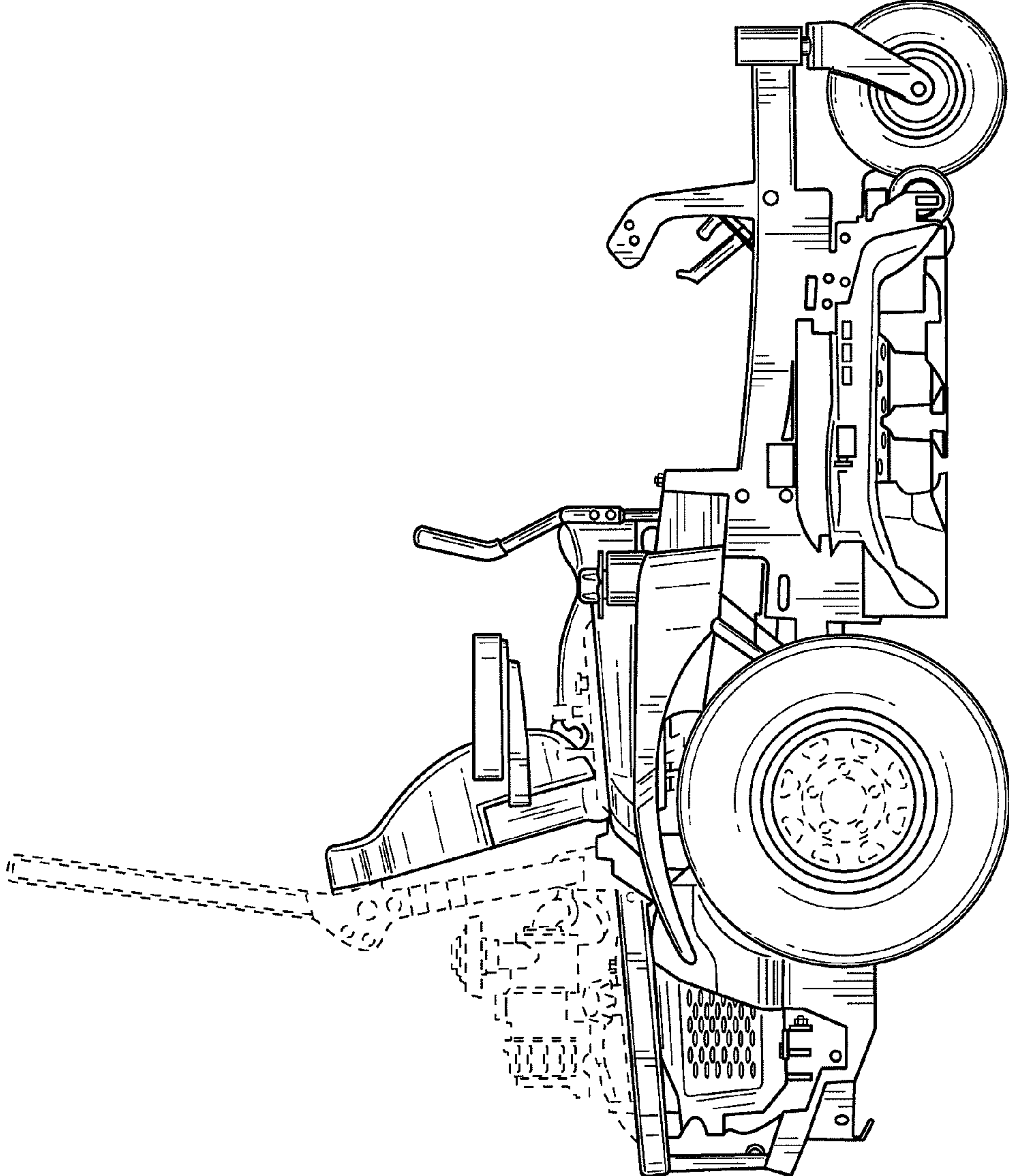


FIG. 3

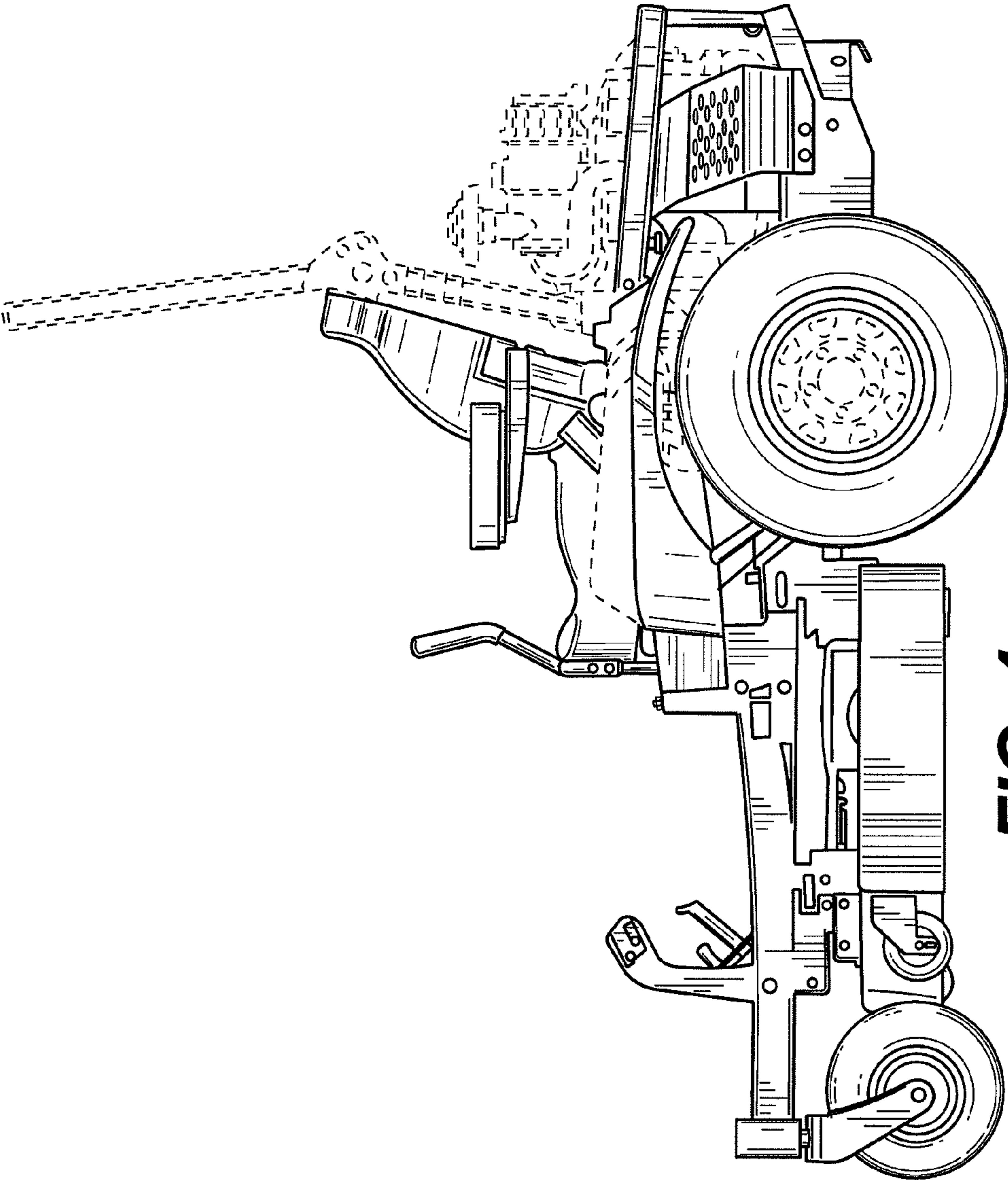


FIG. 4

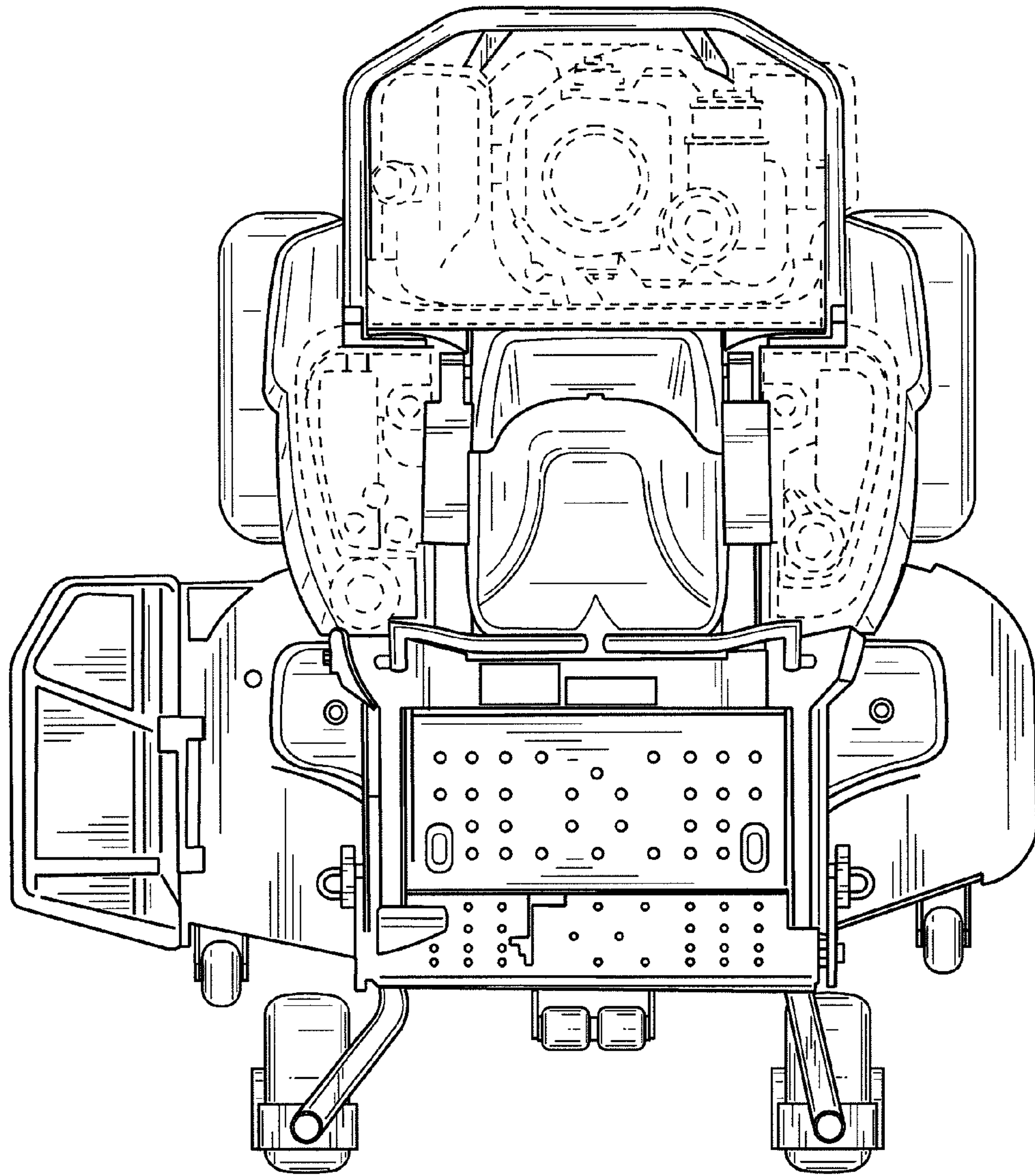


FIG. 5

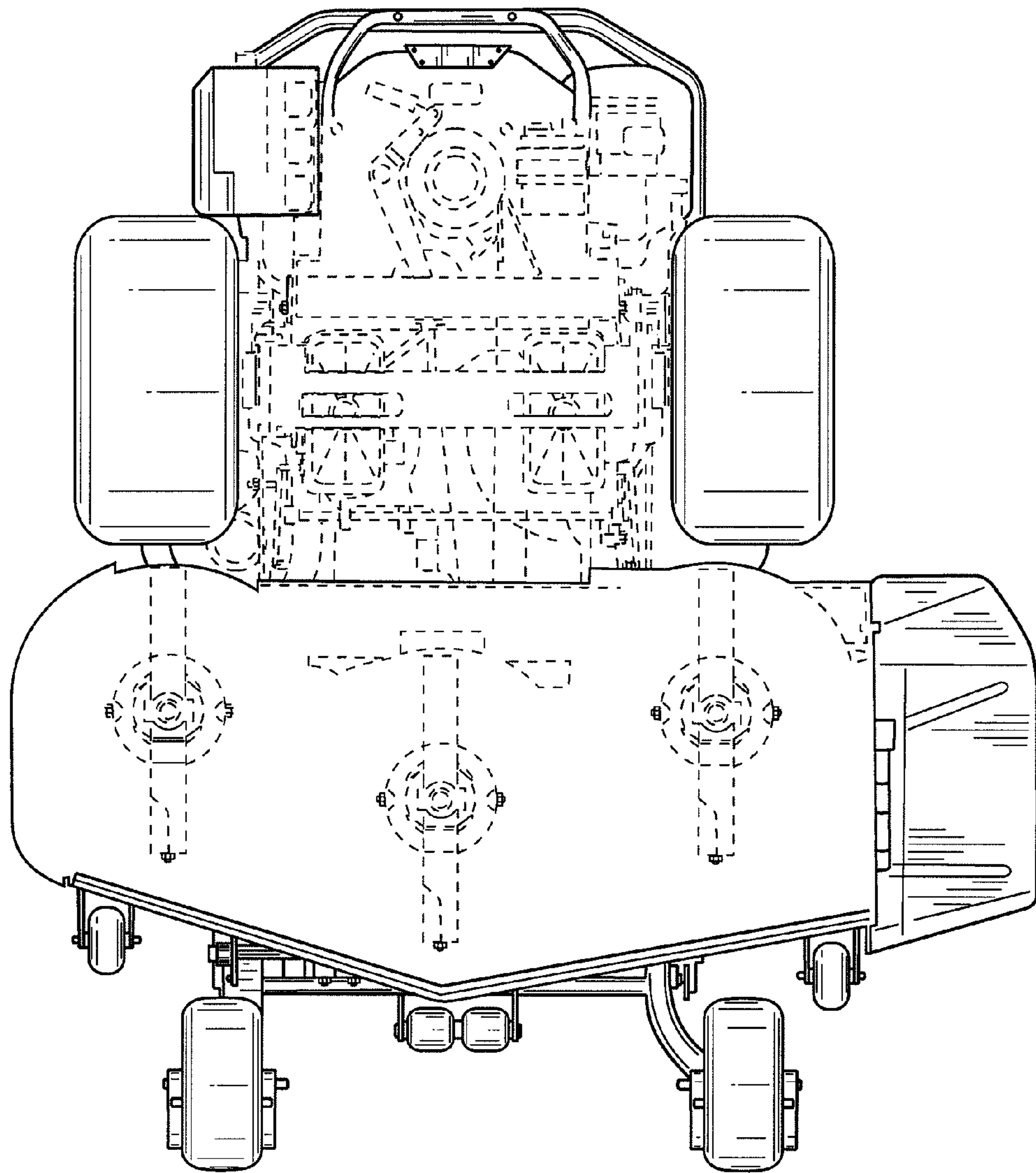


FIG. 6

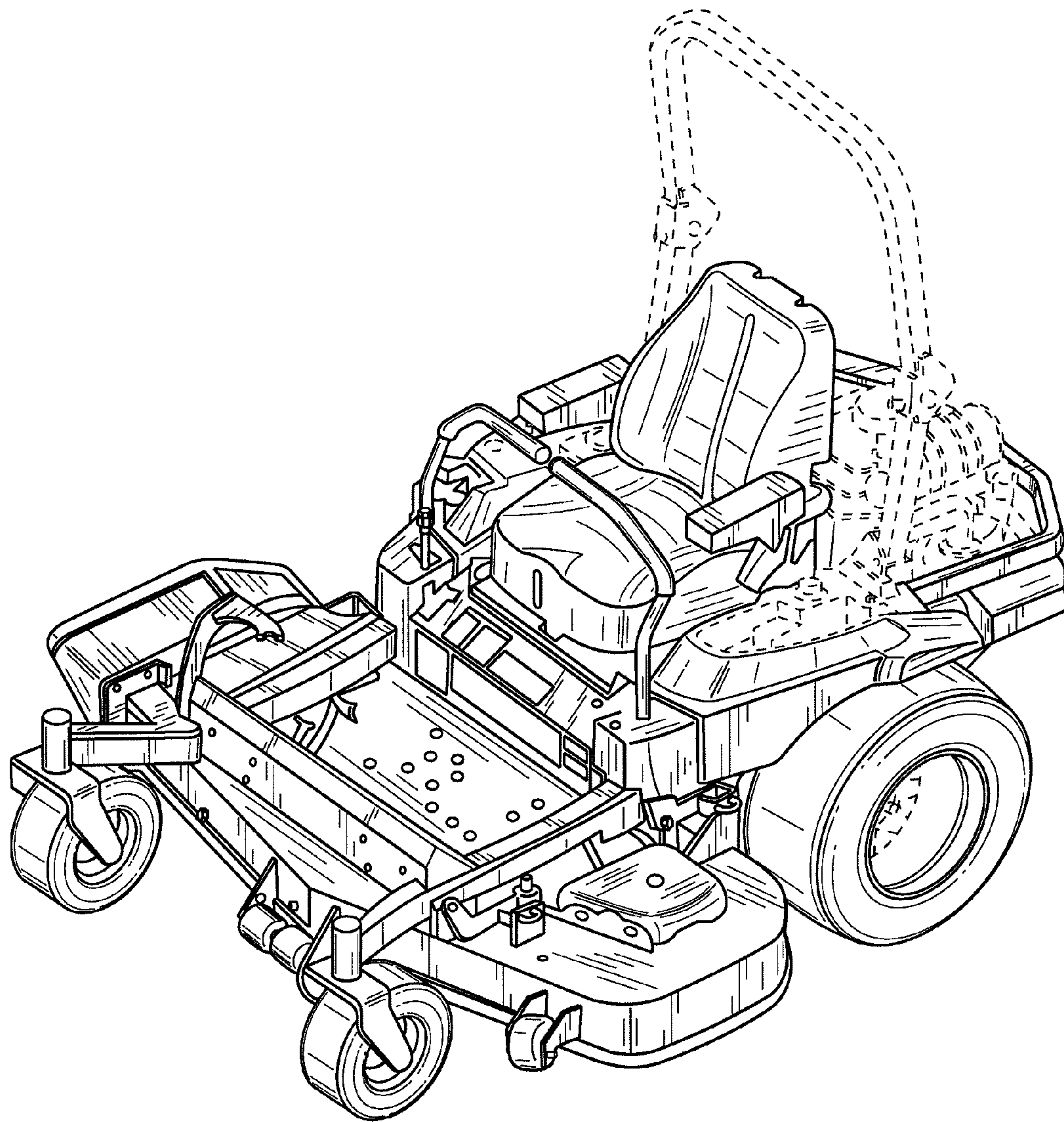


FIG. 7

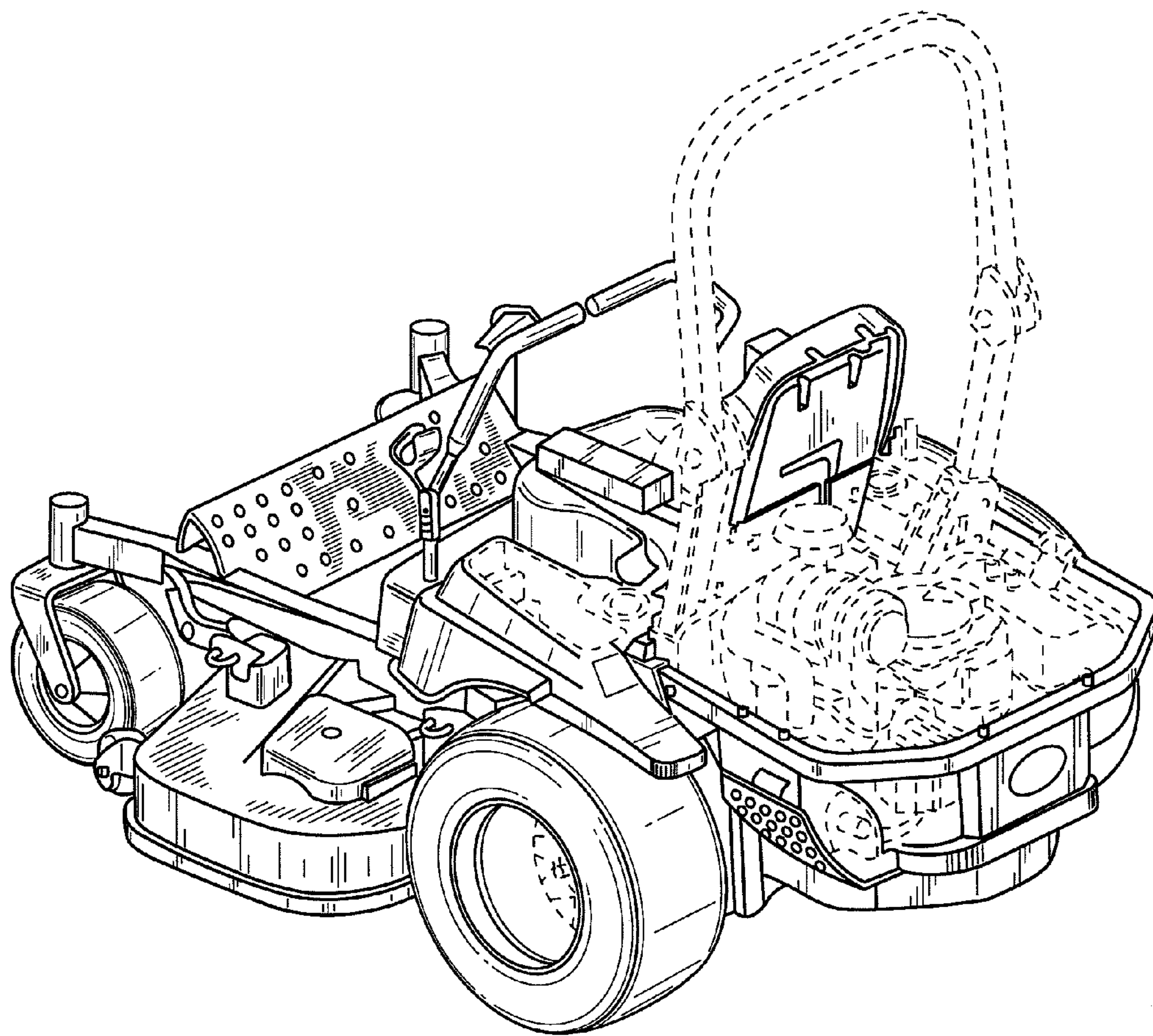


FIG. 8