



US00D681680S

(12) **United States Design Patent**
Galloway et al.

(10) **Patent No.:** **US D681,680 S**

(45) **Date of Patent:** **** May 7, 2013**

(54) **PORTABLE COMPRESSED GAS POWER ASSEMBLY**

(71) Applicant: **D2BG LLC**, Fort Worth, TX (US)

(72) Inventors: **Daniel Galloway**, Keller, TX (US);
Darrell Bevelhymmer, Arlington, TX (US)

(73) Assignee: **D2BG, LLC**, Fort Worth, TX (US)

(**) Term: **14 Years**

(21) Appl. No.: **29/432,719**

(22) Filed: **Sep. 19, 2012**

Related U.S. Application Data

(62) Division of application No. 29/375,851, filed on Sep. 28, 2010, now Pat. No. Des. 670,314.

(51) **LOC (9) Cl.** **15-02**

(52) **U.S. Cl.**
USPC **D15/9**

(58) **Field of Classification Search** D15/7-9;
D23/231, 232, 225; 417/410.1, 359, 415-416,
417/234, 321, 265, 405; 60/645, 651
See application file for complete search history.

(56) **References Cited**

U.S. PATENT DOCUMENTS

D60,090	S	*	12/1921	Forrest	D15/9
D107,465	S	*	12/1937	Tucker	D15/7
2,384,174	A	*	9/1945	Jones	222/3
D156,075	S	*	11/1949	Collier	D15/7
D185,000	S	*	4/1959	Hoover	D15/9
D223,475	S	*	4/1972	Elson et al.	D23/205
D258,436	S	*	3/1981	McGilberry	D15/7
4,854,822	A	*	8/1989	Darroch	417/62
D321,352	S	*	11/1991	Vann	D15/7
5,139,278	A	*	8/1992	Vlasicak	280/47.26
D332,613	S	*	1/1993	Keller	D15/9
D398,614	S	*	9/1998	Kartinen	D15/7
D405,805	S	*	2/1999	Rock	D15/7

D423,518	S	*	4/2000	Milligan et al.	D15/9
D446,792	S	*	8/2001	Matthew et al.	D15/9
D447,151	S	*	8/2001	Matthew et al.	D15/9
D488,169	S	*	4/2004	Hopper	D15/9
D559,865	S	*	1/2008	Wise	D15/7
7,415,988	B2	*	8/2008	Trettin et al.	137/355.16

* cited by examiner

Primary Examiner — Ralf Seifert

(74) *Attorney, Agent, or Firm* — Fulbright & Jaworski L.L.P.

(57) **CLAIM**

The ornamental design for a portable compressed gas power assembly, as shown and described.

DESCRIPTION

FIG. 1 is an elevation view from the front showing the front side of our design. In this embodiment, the compressed gas storage tank, the carrier mechanism, and various other elements are shown in broken lines, and form no part of the claimed design of this third embodiment. In this embodiment, the carrier mechanism (shown in broken lines and thus forms no part of the claimed design, but does provide an enabling disclosure thereof) is illustrated as cylindrical in shape and encloses at least a portion of the compressed gas storage tank. FIG. 2 is an elevation view from the back showing the back side of our design.

FIG. 3 is an elevation view from the left side showing the left side of our design.

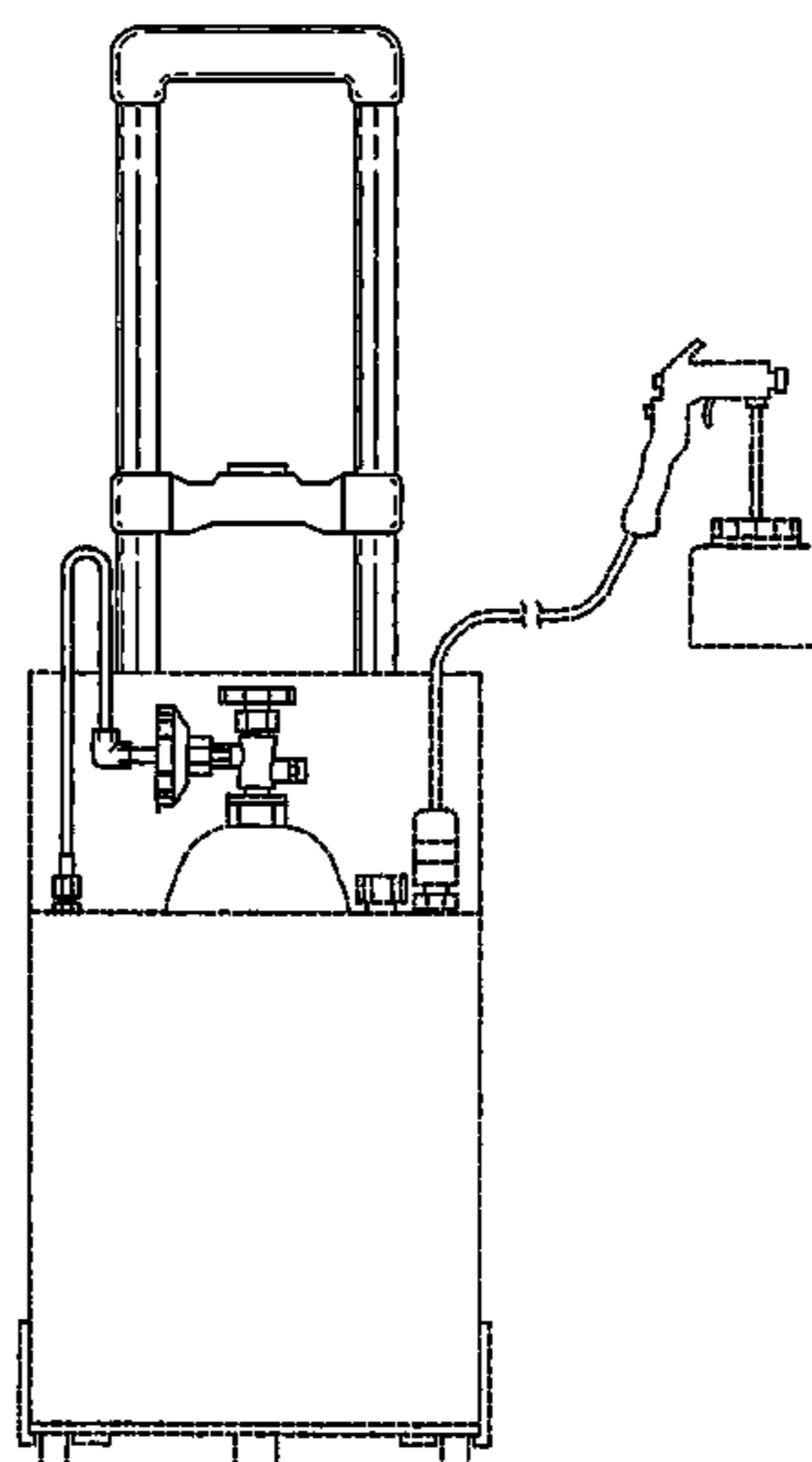
FIG. 4 is an elevation view from the right showing the right side of our design.

FIG. 5 is an elevation view from the top showing the top side of our design; and,

FIG. 6 is an elevation view from the bottom showing the bottom side of our design.

It should be understood that the labels used herein for describing orientation (e.g., front, back, top, bottom, right, and left) are merely for reference, and the embodiments of our design may be disposed in any manner and still be within the scope of the present invention.

1 Claim, 4 Drawing Sheets



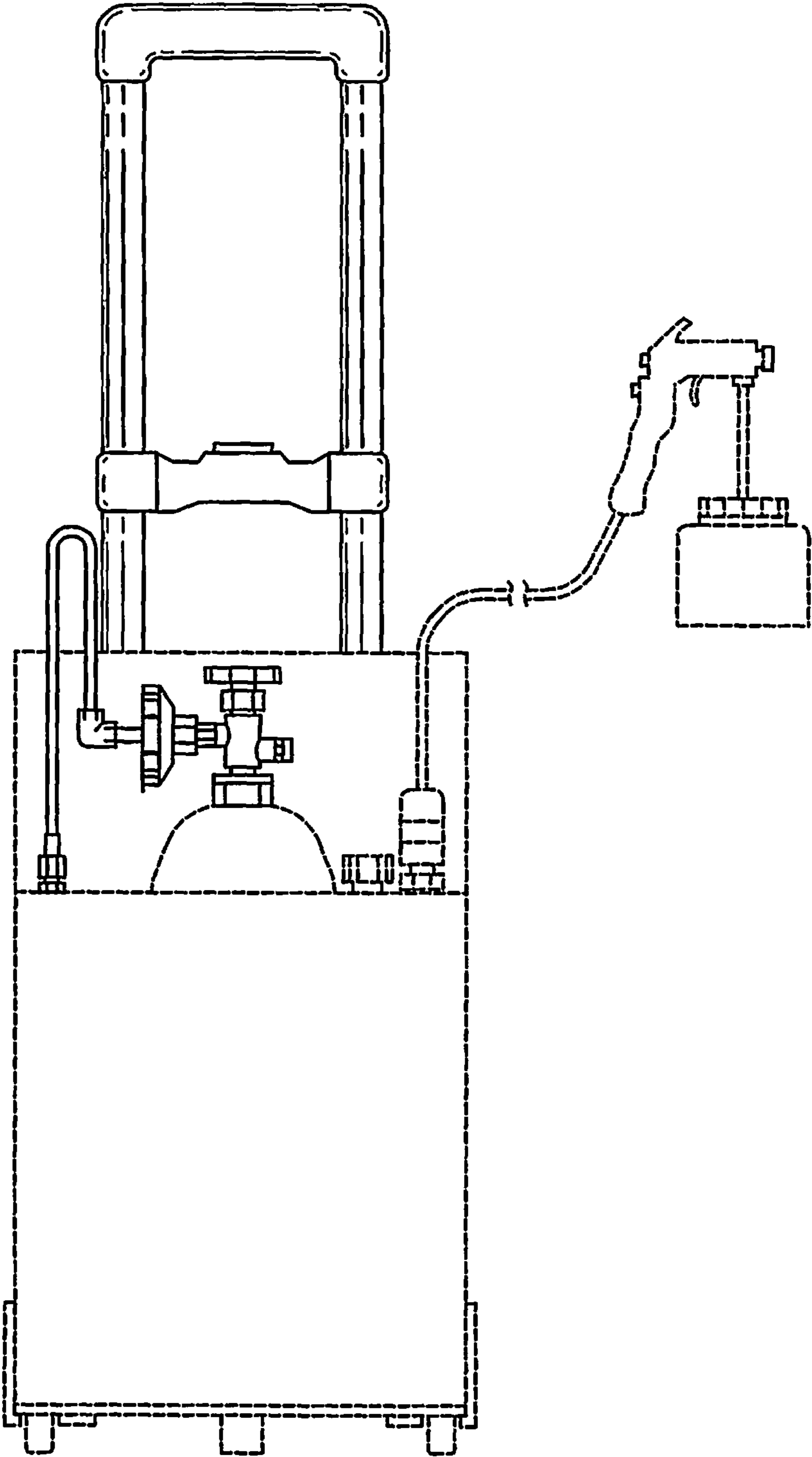


FIG. 1

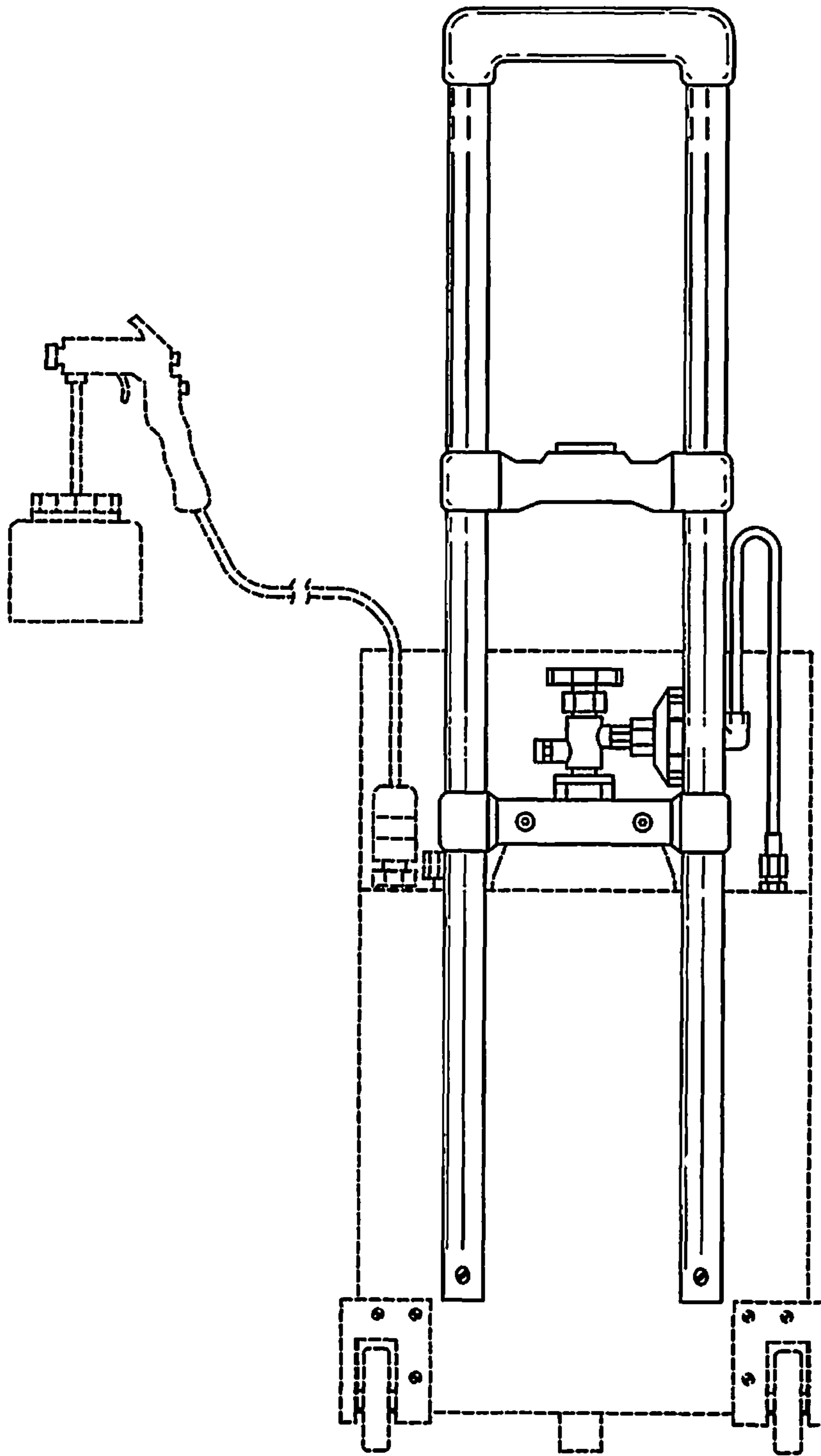


FIG. 2

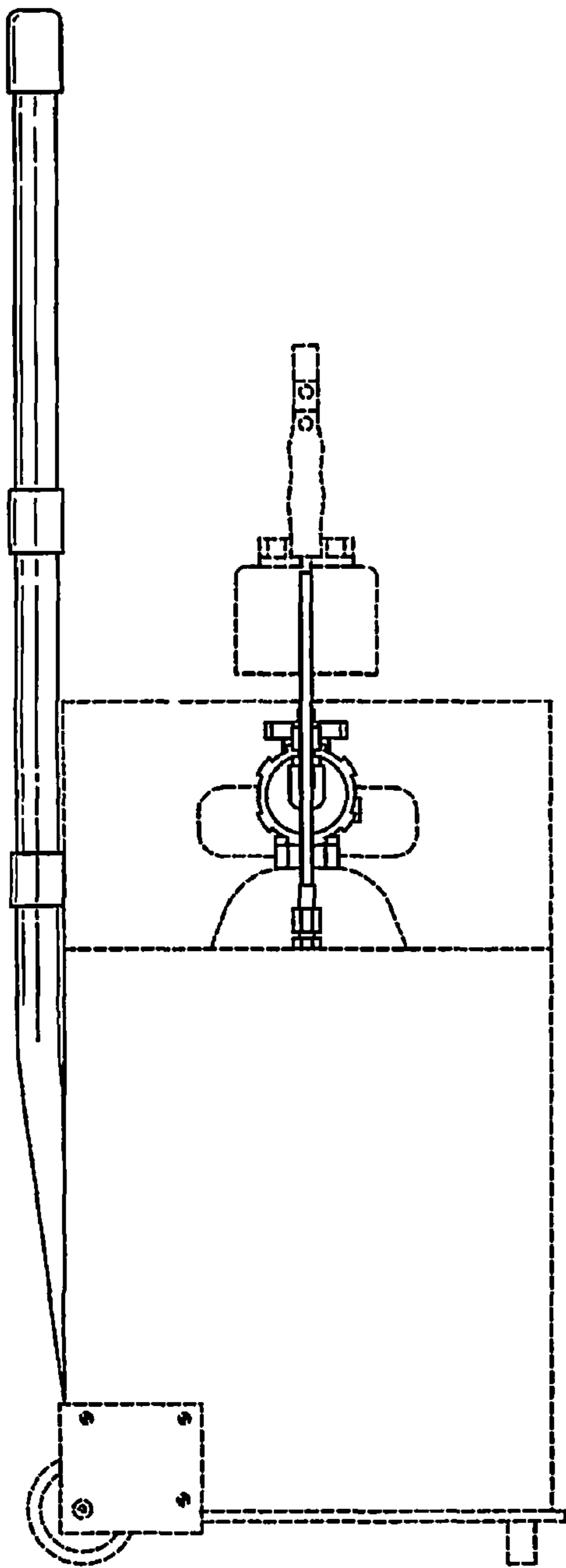


FIG. 3

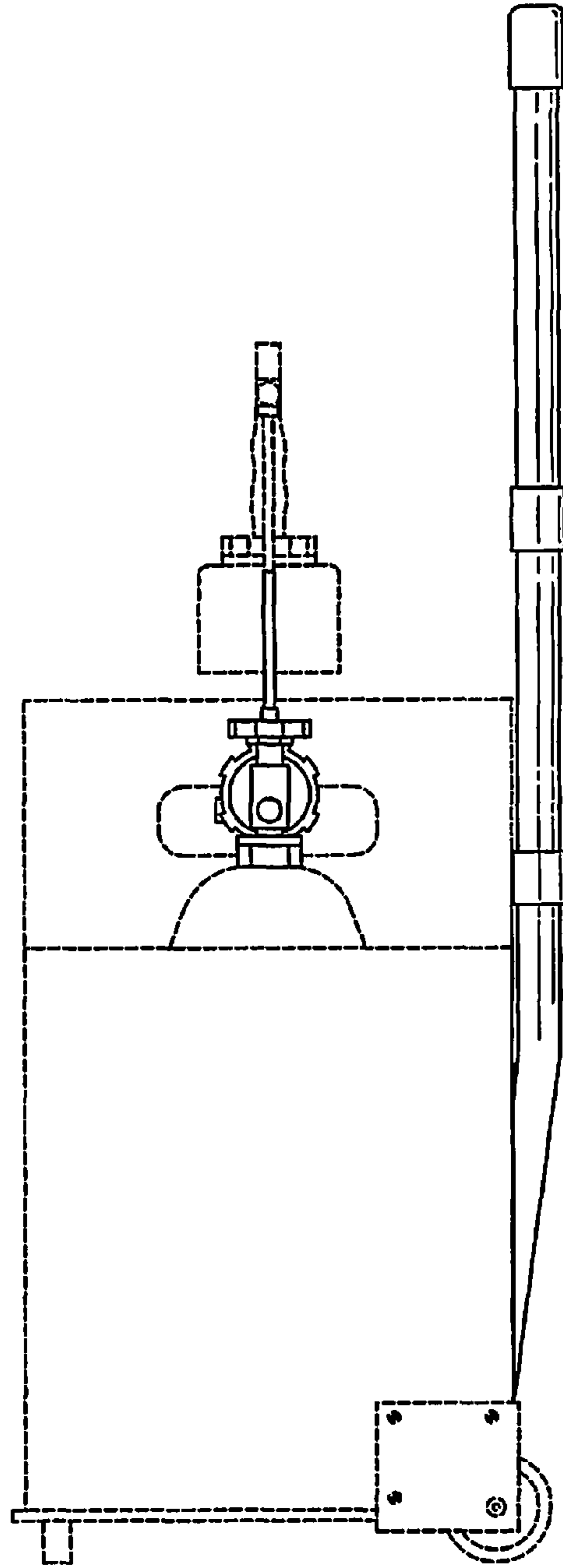


FIG. 4

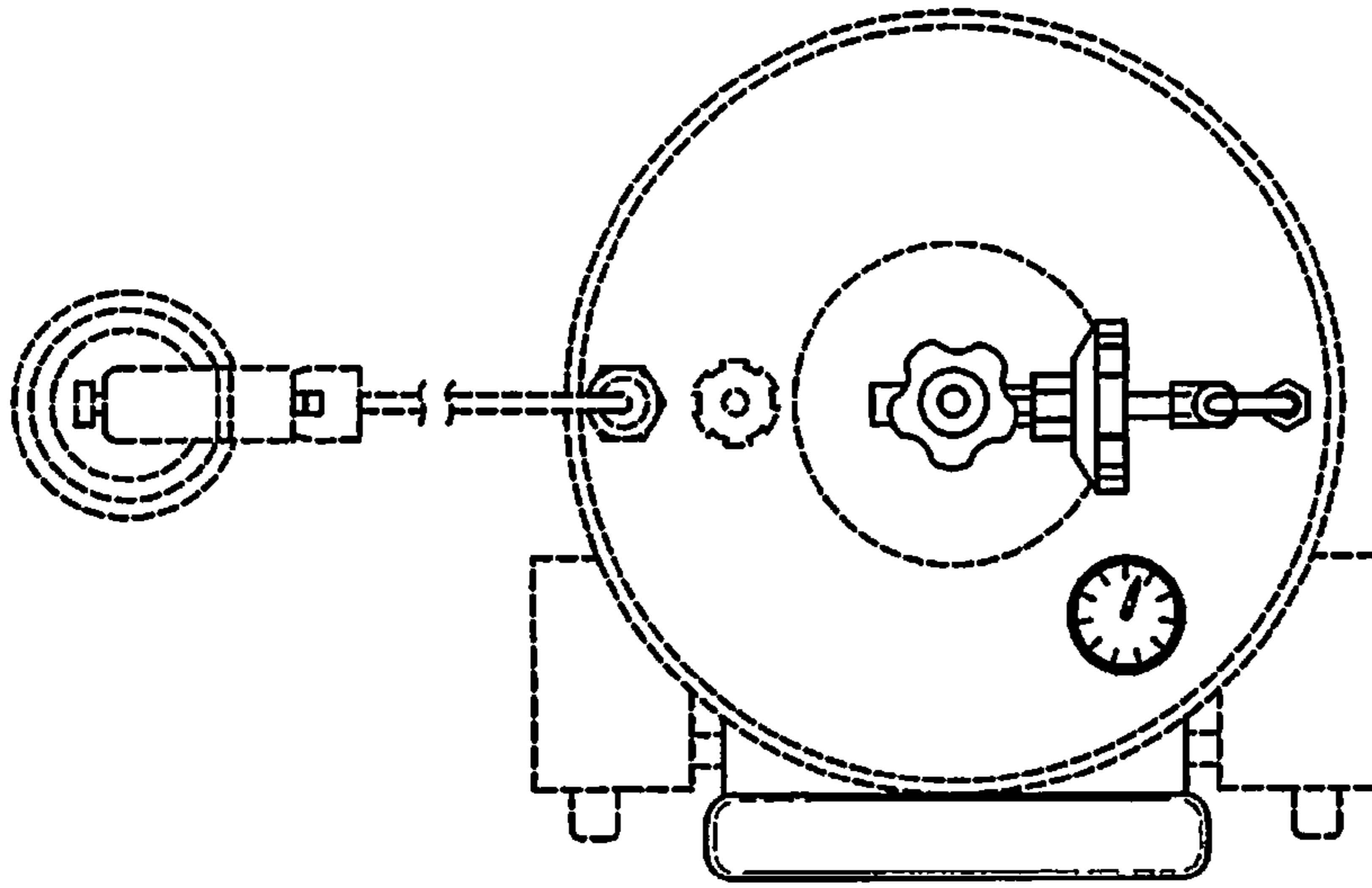


FIG. 5

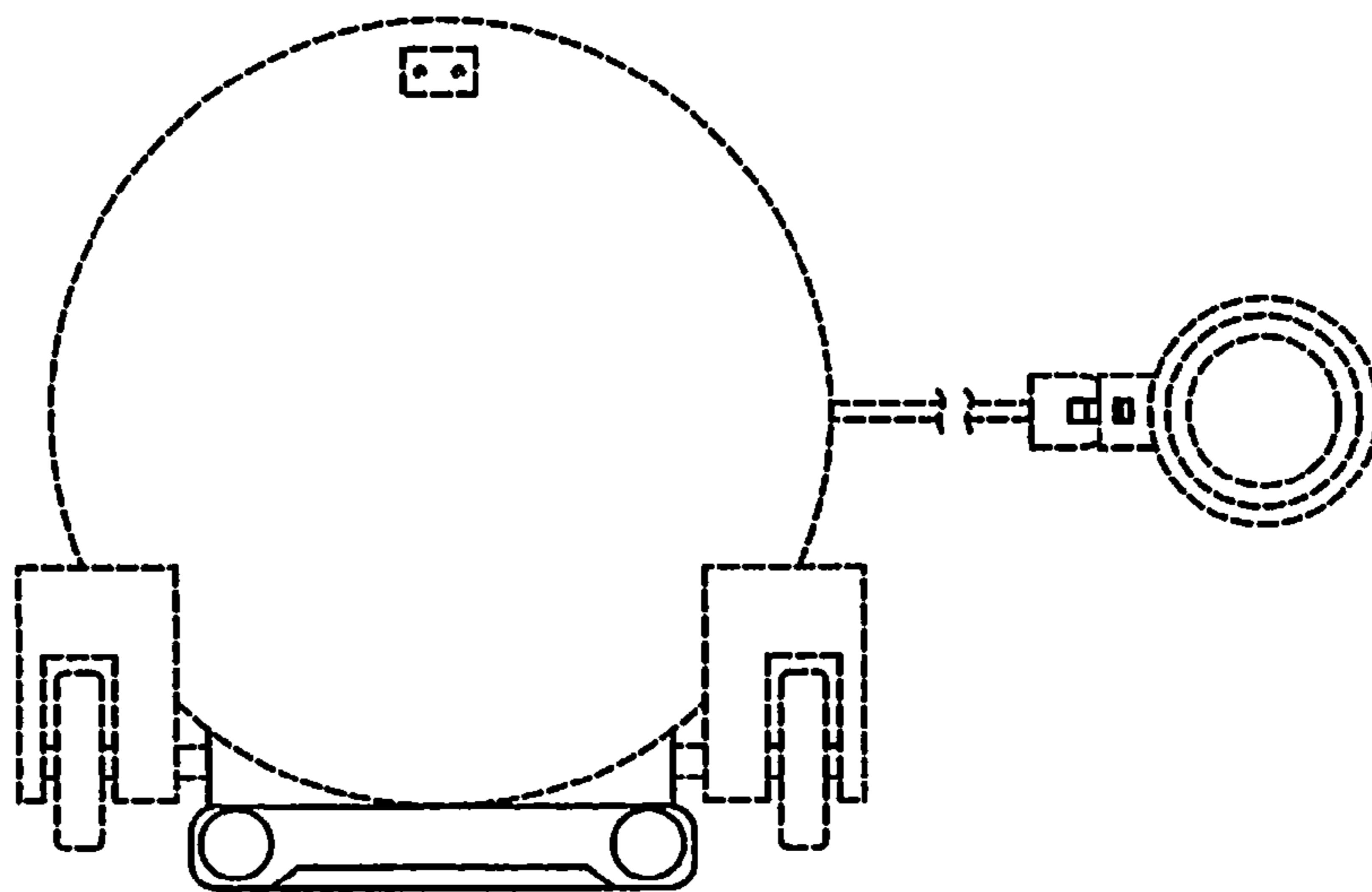


FIG. 6