



US00D681649S

(12) **United States Design Patent**  
**Fletcher et al.**

(10) **Patent No.:** **US D681,649 S**

(45) **Date of Patent:** **\*\* May 7, 2013**

(54) **DISPLAY PANEL WITH GRAPHICAL USER INTERFACE FOR ANALYZING AND PRESENTING SUPPLY, FABRICATION, AND LOGISTICS DATA**

D554,661 S \* 11/2007 Hoover et al. .... D14/487  
D555,164 S \* 11/2007 Sergio ..... D14/486  
D602,037 S \* 10/2009 Nash et al. .... D14/486  
D637,196 S \* 5/2011 Ray et al. .... D14/486

(Continued)

(75) Inventors: **Tom Fletcher**, San Jose, CA (US); **Ed Hancock**, Penfield, NY (US); **Payton Patterson**, Collierville, TN (US); **Eoghan Maher**, Cork (IE); **Akhil Oltikar**, San Diego, CA (US)

*Primary Examiner* — Karen S Acker

(74) *Attorney, Agent, or Firm* — Marsh Fischmann & Breyfogle LLP

(73) Assignee: **Flextronics AP, LLC**, Broomfield, CO (US)

(57) **CLAIM**

The ornamental design for a display panel with graphical user interface for analyzing and presenting supply, fabrication and logistics data, as shown and described.

(\*\*) Term: **14 Years**

**DESCRIPTION**

(21) Appl. No.: **29/410,218**

(22) Filed: **Jan. 5, 2012**

(51) **LOC (9) Cl.** ..... **14-04**

(52) **U.S. Cl.**  
USPC ..... **D14/485**

(58) **Field of Classification Search** ..... D14/485-495;  
D20/11; D5/63; 345/400, 441, 442; 348/14.03,  
348/14.04; 715/211, 215, 706, 719, 733,  
715/763, 770, 773, 777, 779, 782, 783, 786,  
715/792, 793, 809, 810, 835, 846, 849, 867,  
715/977, 976

See application file for complete search history.

FIG. 1 depicts a display panel with graphical user interface for analyzing and presenting supply, fabrication and logistics data in a first image.

FIG. 2 depicts a display panel with graphical user interface for analyzing and presenting supply, fabrication and logistics data in a second image.

FIG. 3 depicts a display panel with graphical user interface for analyzing and presenting supply, fabrication and logistics data in a third image.

FIG. 4 depicts a display panel with graphical user interface for analyzing and presenting supply, fabrication and logistics data in a fourth image; and,

FIG. 5 depicts a display panel with graphical user interface for analyzing and presenting supply, fabrication and logistics data in a fifth image.

The appearance of the display panel with graphical user interface for analyzing and presenting supply, fabrication and logistics data changes sequentially in a process or period between the images shown in FIGS. 1-5. This process or image forms no part of the claimed design.

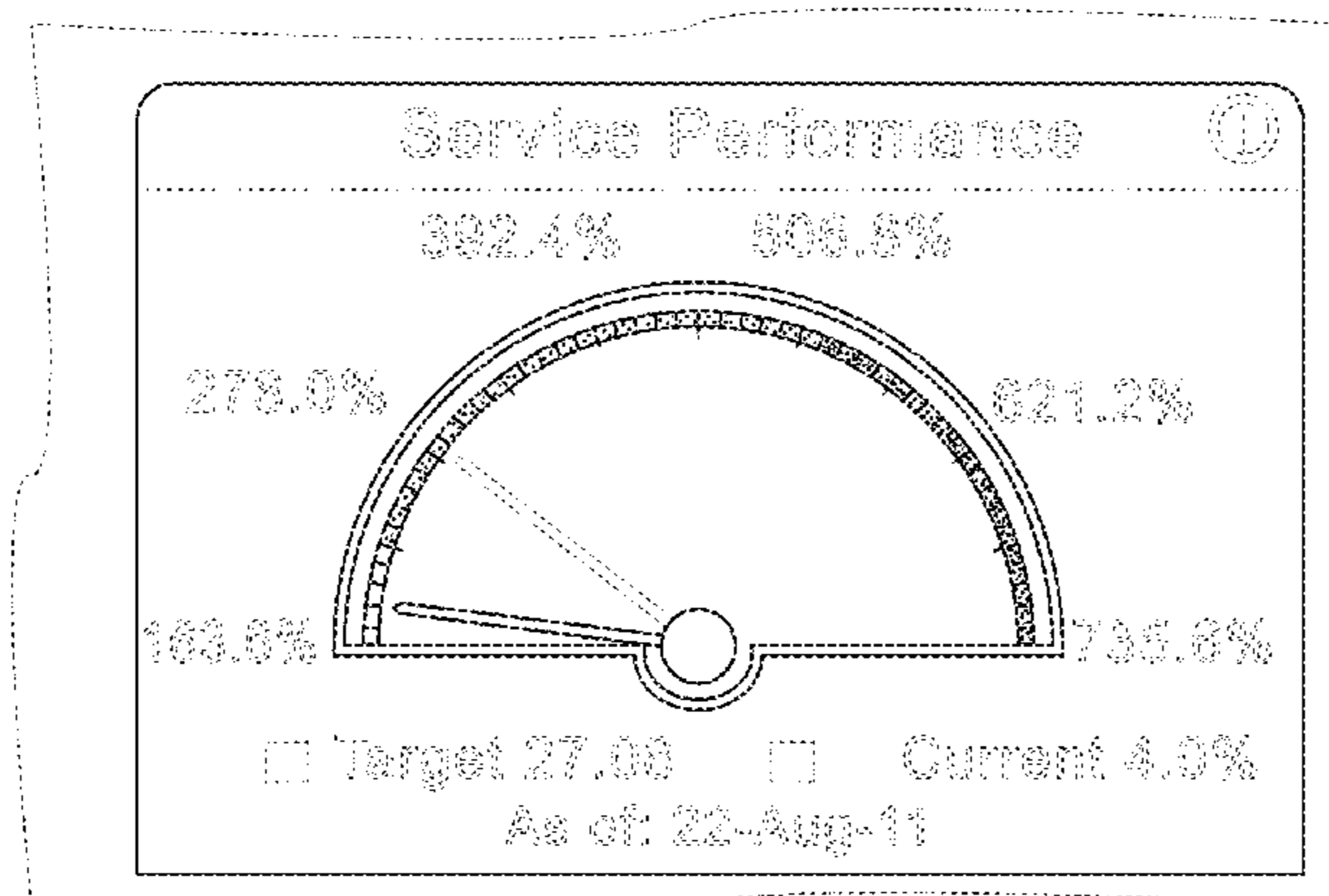
The broken lines in the drawings represent portions of the graphical user interface and the display panel that form no part of the claimed design.

(56) **References Cited**

U.S. PATENT DOCUMENTS

D293,422 S \* 12/1987 Nunes ..... D10/57  
D302,394 S \* 7/1989 Merrell ..... D10/85  
D452,693 S \* 1/2002 Mitchell ..... D14/492  
6,466,235 B1 \* 10/2002 Smith et al. .... 715/771  
D496,940 S \* 10/2004 Fetterman ..... D14/485  
D511,167 S \* 11/2005 Blencowe ..... D14/486  
D549,721 S \* 8/2007 Ito et al. .... D14/488  
D549,722 S \* 8/2007 Ito et al. .... D14/488  
D552,121 S \* 10/2007 Carl et al. .... D14/488  
D553,143 S \* 10/2007 Blencowe ..... D14/486

**1 Claim, 3 Drawing Sheets**



# US D681,649 S

Page 2

---

| U.S. PATENT DOCUMENTS |     |                             |          |
|-----------------------|-----|-----------------------------|----------|
| 2002/0053246          | A1* | 5/2002 Erben .....          | 73/866.3 |
| 2003/0056608          | A1* | 3/2003 Ishimaru .....       | 73/866.3 |
| 2005/0174350          | A1* | 8/2005 Ridenour et al. .... | 345/440  |
| 2010/0250026          | A1* | 9/2010 Deker et al. ....    | 701/3    |
| * cited by examiner   |     |                             |          |

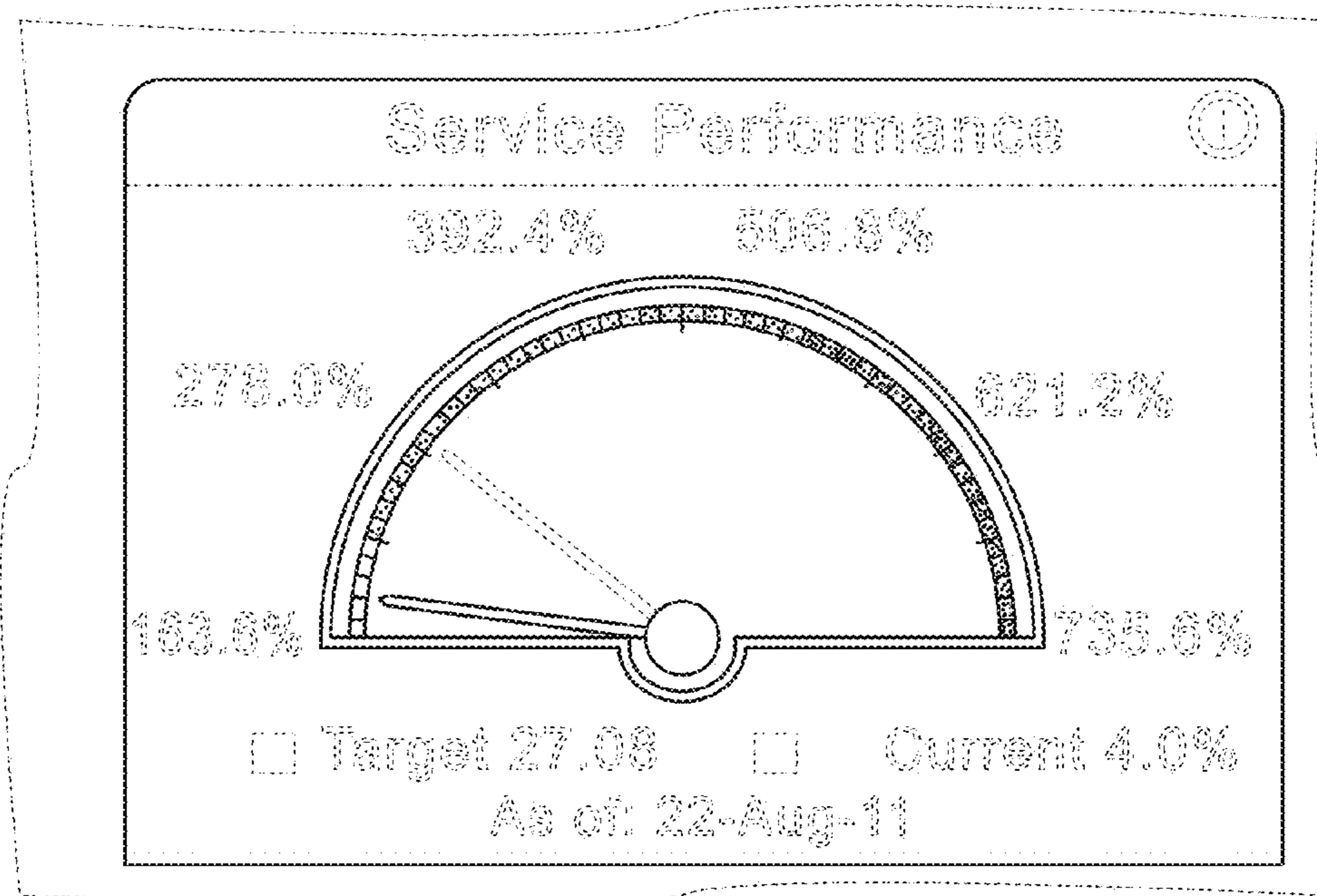


FIG.1

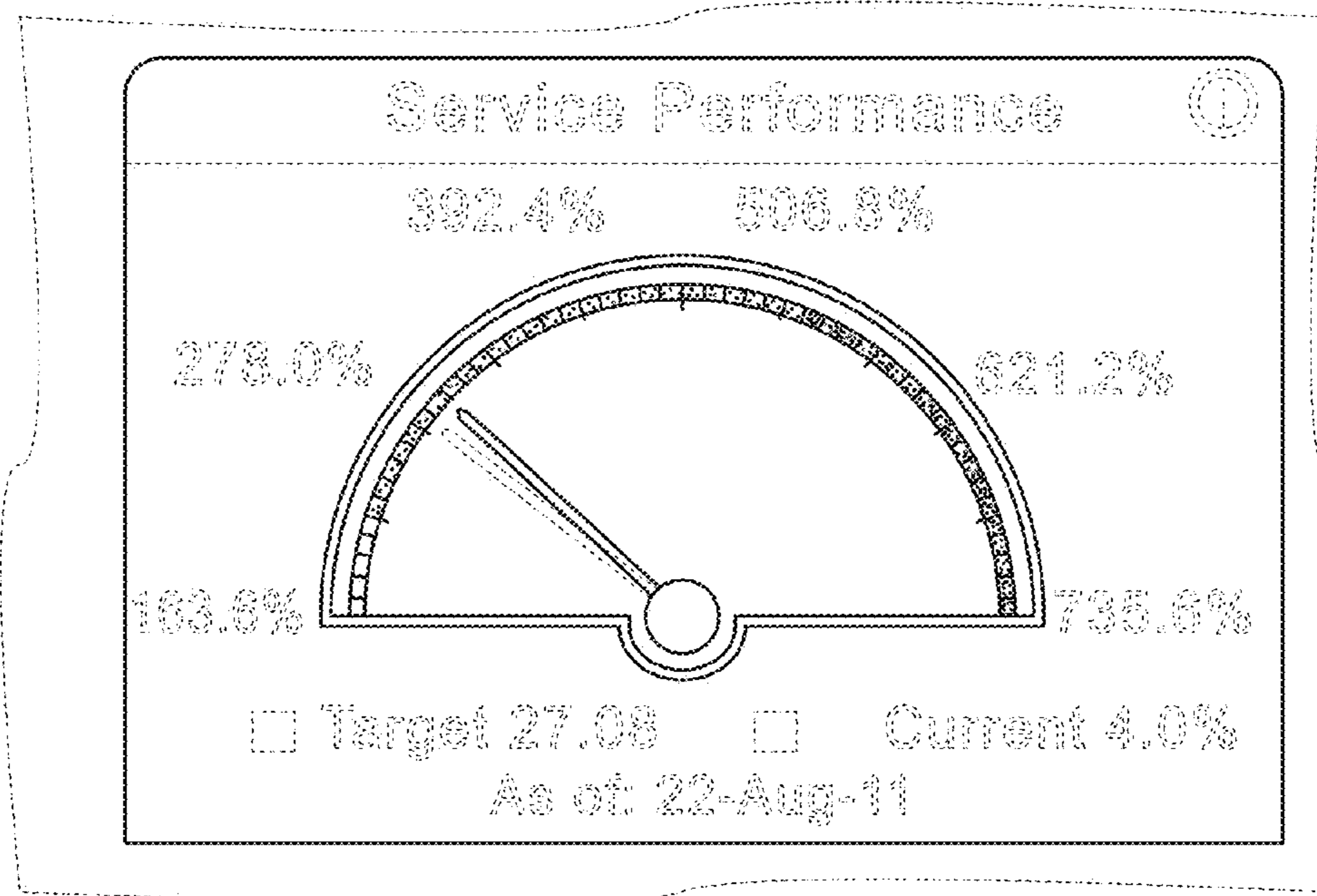


FIG.2

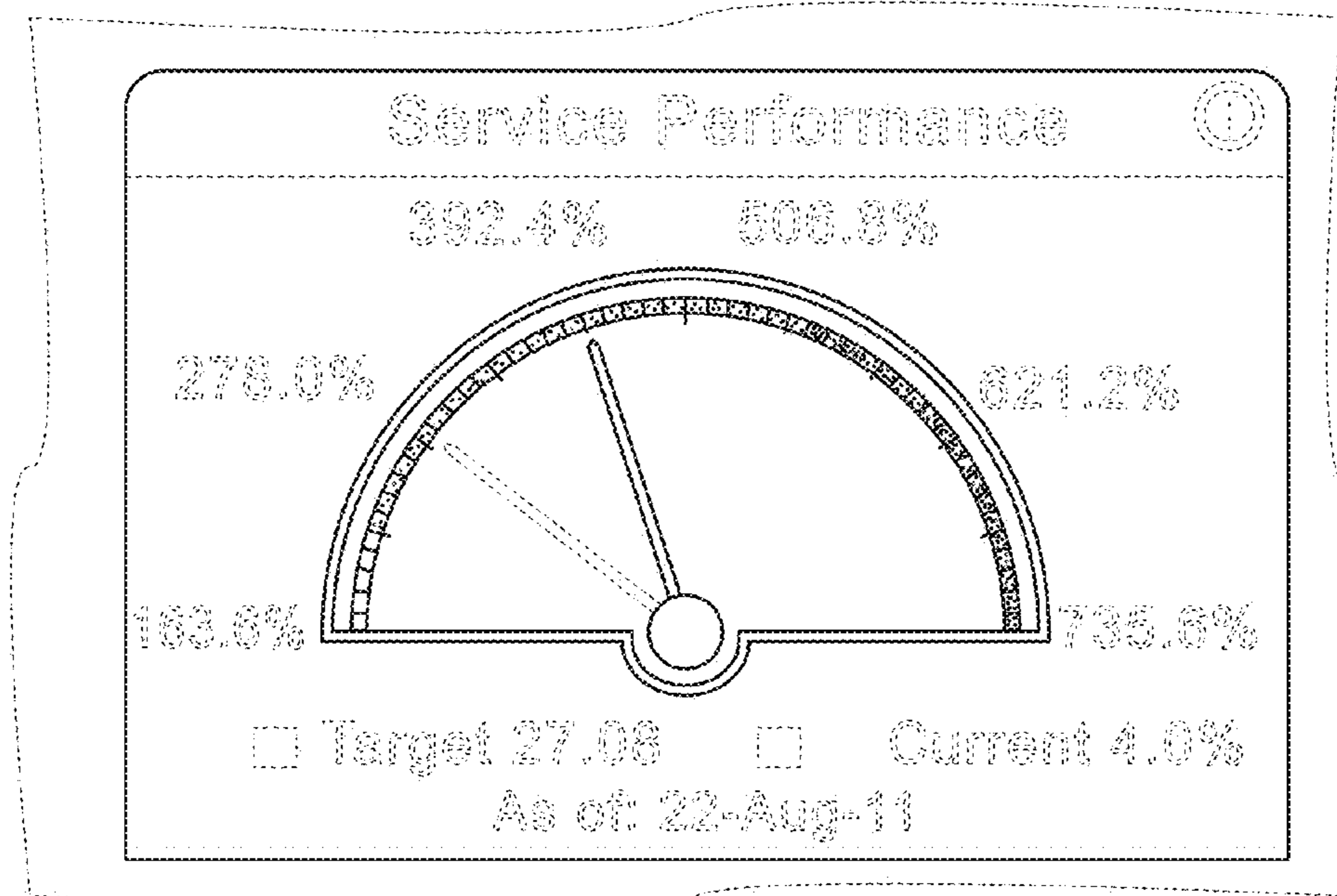


FIG.3

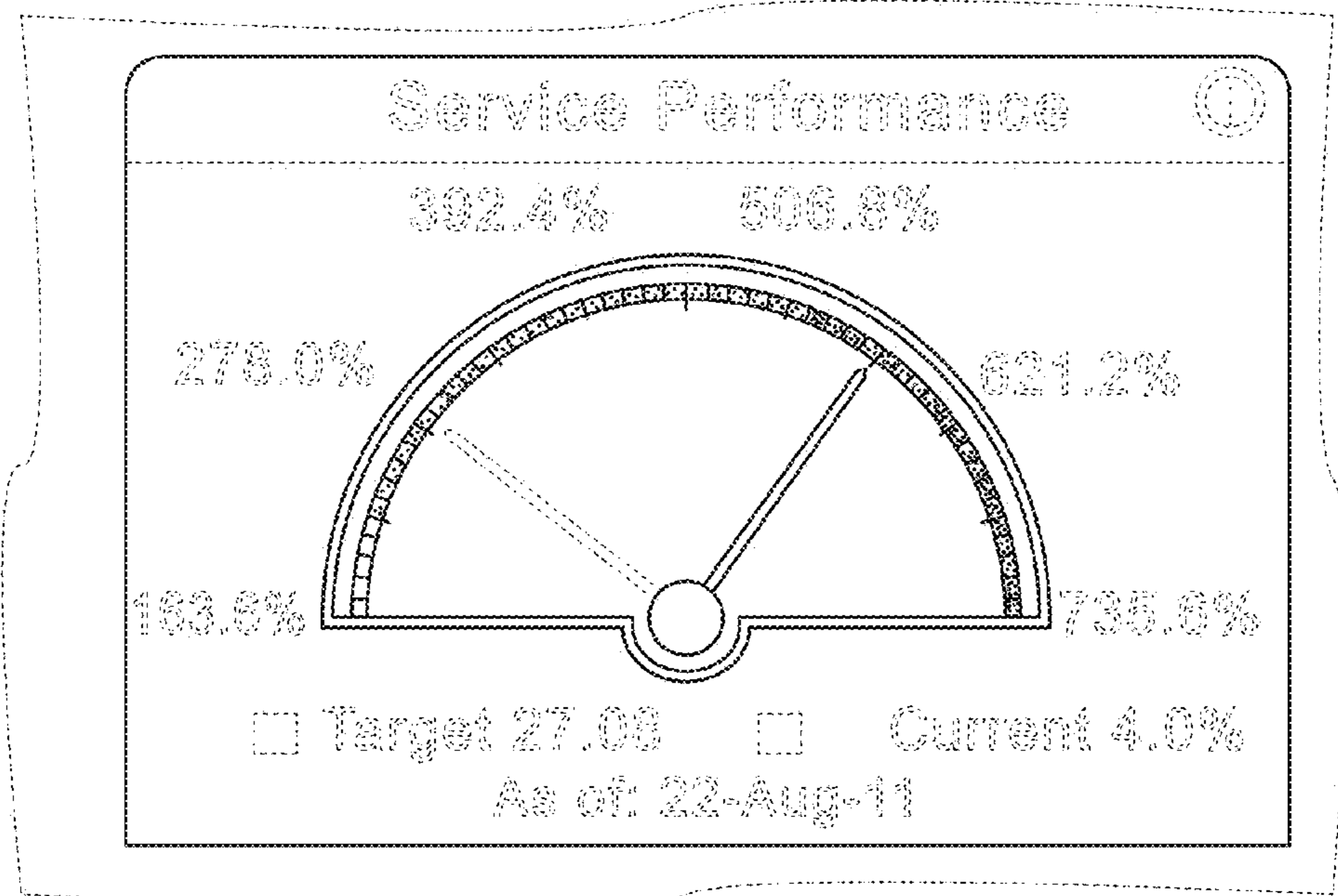


FIG.4

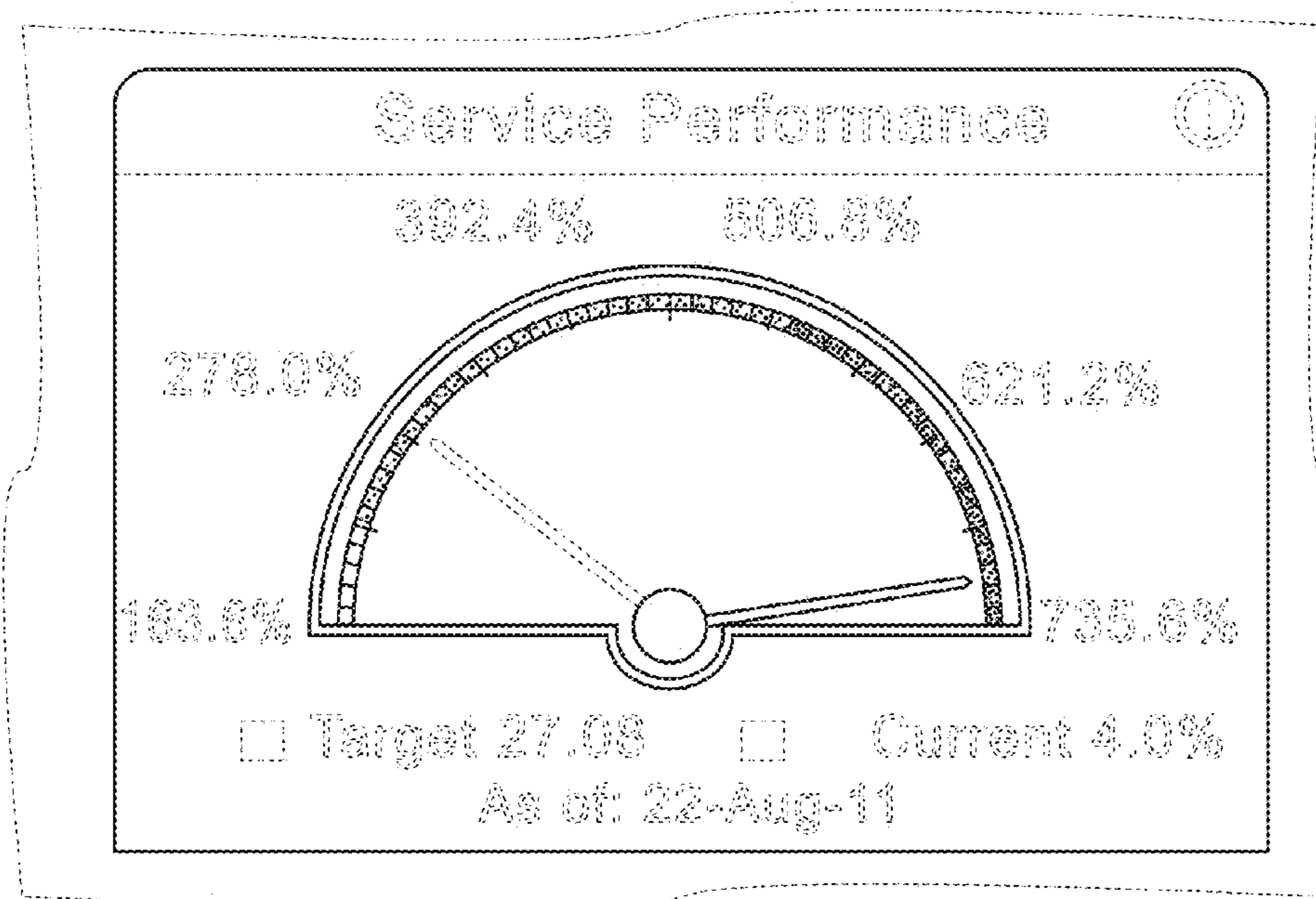


FIG.5