



US00D681648S

(12) **United States Design Patent**
Kostrzewski et al.

(10) **Patent No.:** **US D681,648 S**
(45) **Date of Patent:** **** May 7, 2013**

(54) **REMOVABLE MEMORY UNIT HOUSING**

(75) Inventors: **Andrew Kostrzewski**, Garden Grove, CA (US); **Kang Lee**, Woodland Hills, CA (US); **Sookwang Ro**, Glendale, CA (US); **Thomas Forrester**, Hacienda Heights, CA (US); **Tomasz Jansson**, Torrance, CA (US); **Michael Alan Thompson**, Redondo Beach, CA (US)

(73) Assignee: **Physical Optics Corporation**, Torrance, CA (US)

(**) Term: **14 Years**

(21) Appl. No.: **29/384,519**

(22) Filed: **Jan. 31, 2011**

(51) **LOC (9) Cl.** **14-02**

(52) **U.S. Cl.**
USPC **D14/474**; D14/159

(58) **Field of Classification Search** D14/402, D14/474, 475, 479-481, 196, 401, 432-435, D14/483, 384, 385, 217, 240, 242, 137, 138, D14/160, 167, 168, 356, 156; 370/342-344; 463/43-47; 345/156, 169, 173-179, 905; 713/1, 600; 369/1, 2, 6, 12; 273/148 B; 715/727-729, 864; 710/1, 5, 8; 455/11, 455/73, 344-347, 93, 95

See application file for complete search history.

(56) **References Cited**

U.S. PATENT DOCUMENTS

D243,024 S * 1/1977 Pablik D14/137
D268,603 S * 4/1983 Lee D21/324
D332,100 S * 12/1992 Blattner et al. D14/257
D366,975 S * 2/1996 Kaga D6/470

D458,610 S * 6/2002 Kadonaga D14/474
D526,650 S * 8/2006 Hayes et al. D14/480.1
D530,343 S * 10/2006 Maruyama et al. D14/496
D550,198 S * 9/2007 Deal D14/159
D583,355 S * 12/2008 Wente D14/159
D588,146 S * 3/2009 Tsuboi D14/474
D641,360 S * 7/2011 Ledbetter et al. D14/356

* cited by examiner

Primary Examiner — Austin Murphy

(74) *Attorney, Agent, or Firm* — Sheppard Mullin Richter & Hampton LLP

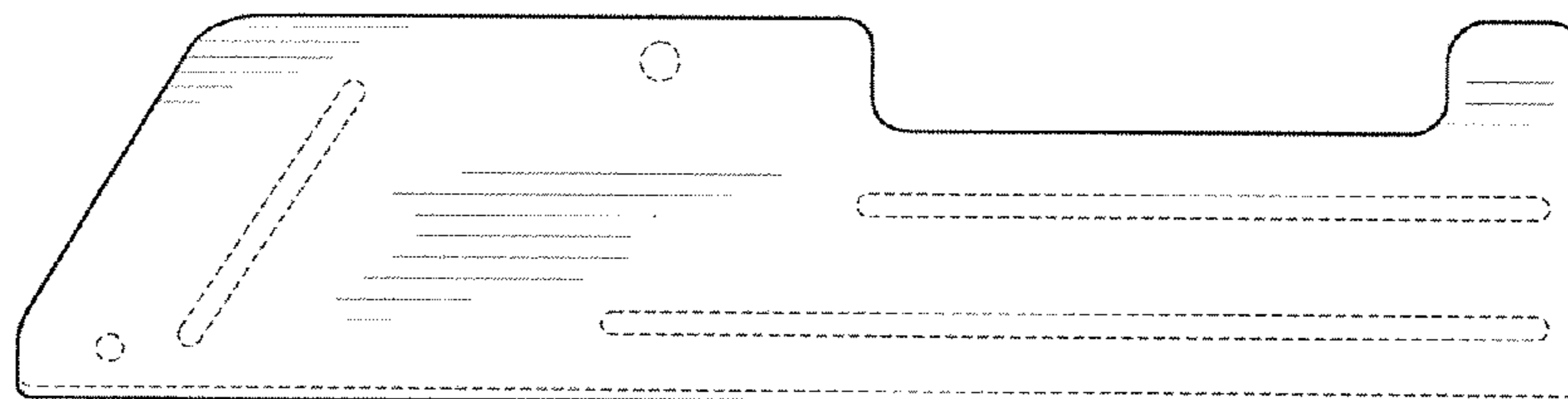
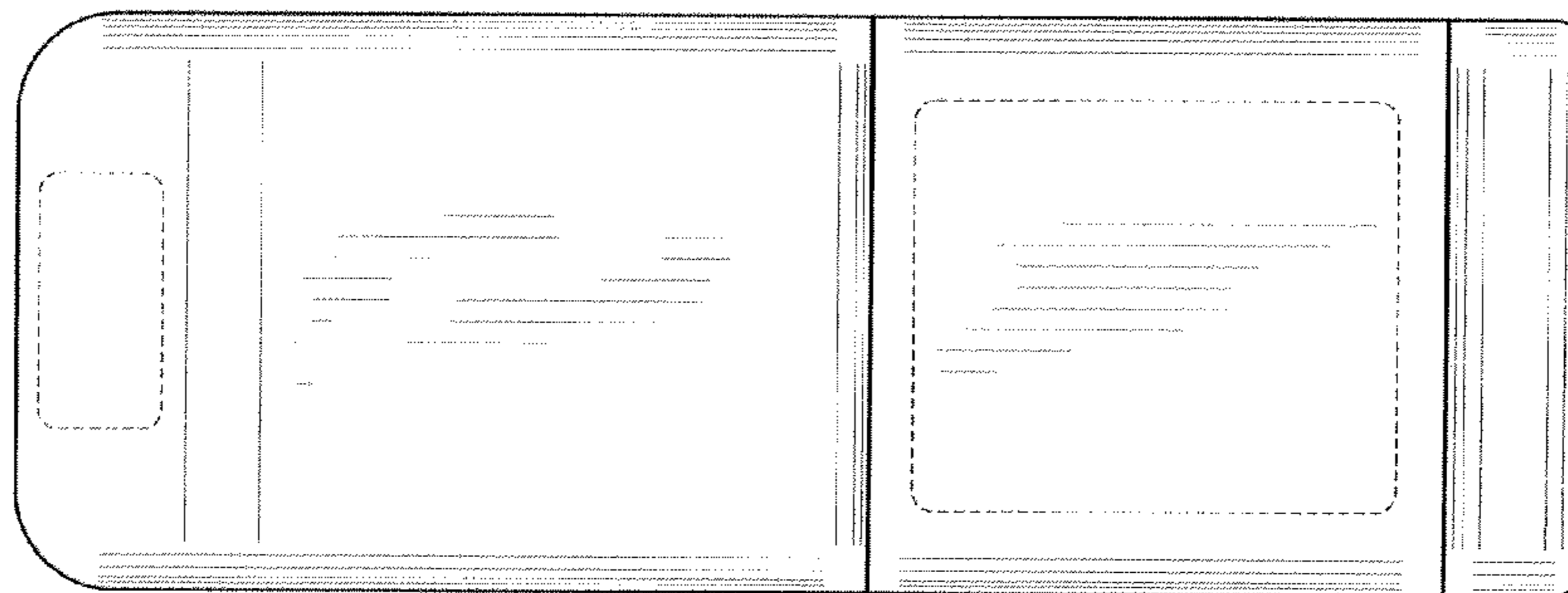
(57) **CLAIM**

We claim the ornamental design for a removable memory unit housing, as shown and described.

DESCRIPTION

FIG. 1 is a front perspective view of an embodiment of a removable memory unit housing showing our new design; FIG. 2 is a rear perspective view of the embodiment of the removable memory unit housing shown in FIG. 1. FIG. 3 is a bottom view of the embodiment of the removable memory unit housing shown in FIG. 1. FIG. 4 is a top view of the embodiment of the removable memory unit housing shown in FIG. 1. FIG. 5 is a side view of the embodiment of the removable memory unit housing shown in FIG. 1. FIG. 6 is a front view of the embodiment of the removable memory unit housing shown in FIG. 1; and, FIG. 7 is a rear view of the embodiment of the removable memory unit housing shown in FIG. 1. The dashed lines are for illustrative purposes only and form no part of the claimed design.

1 Claim, 4 Drawing Sheets



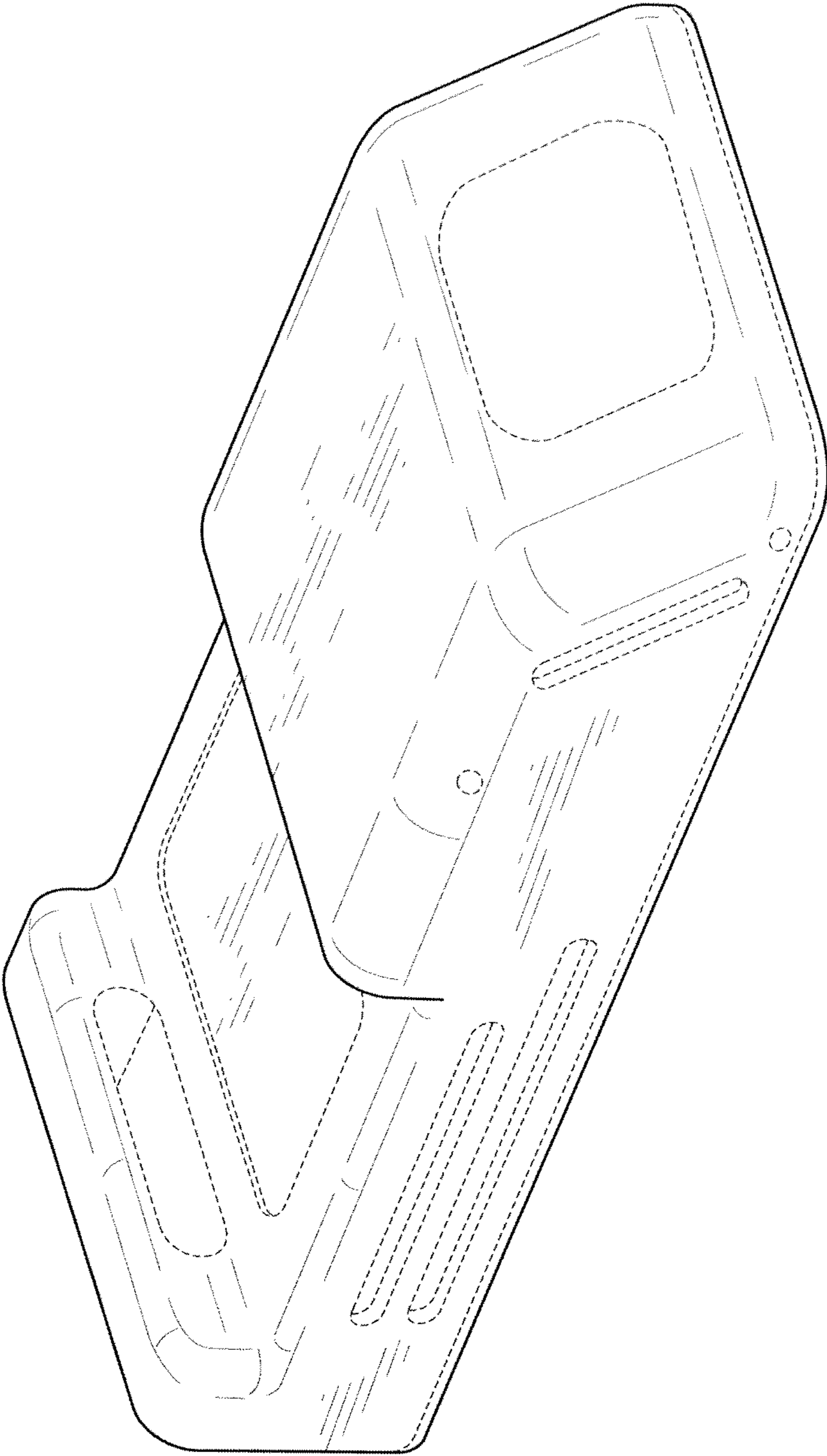


FIG. 1

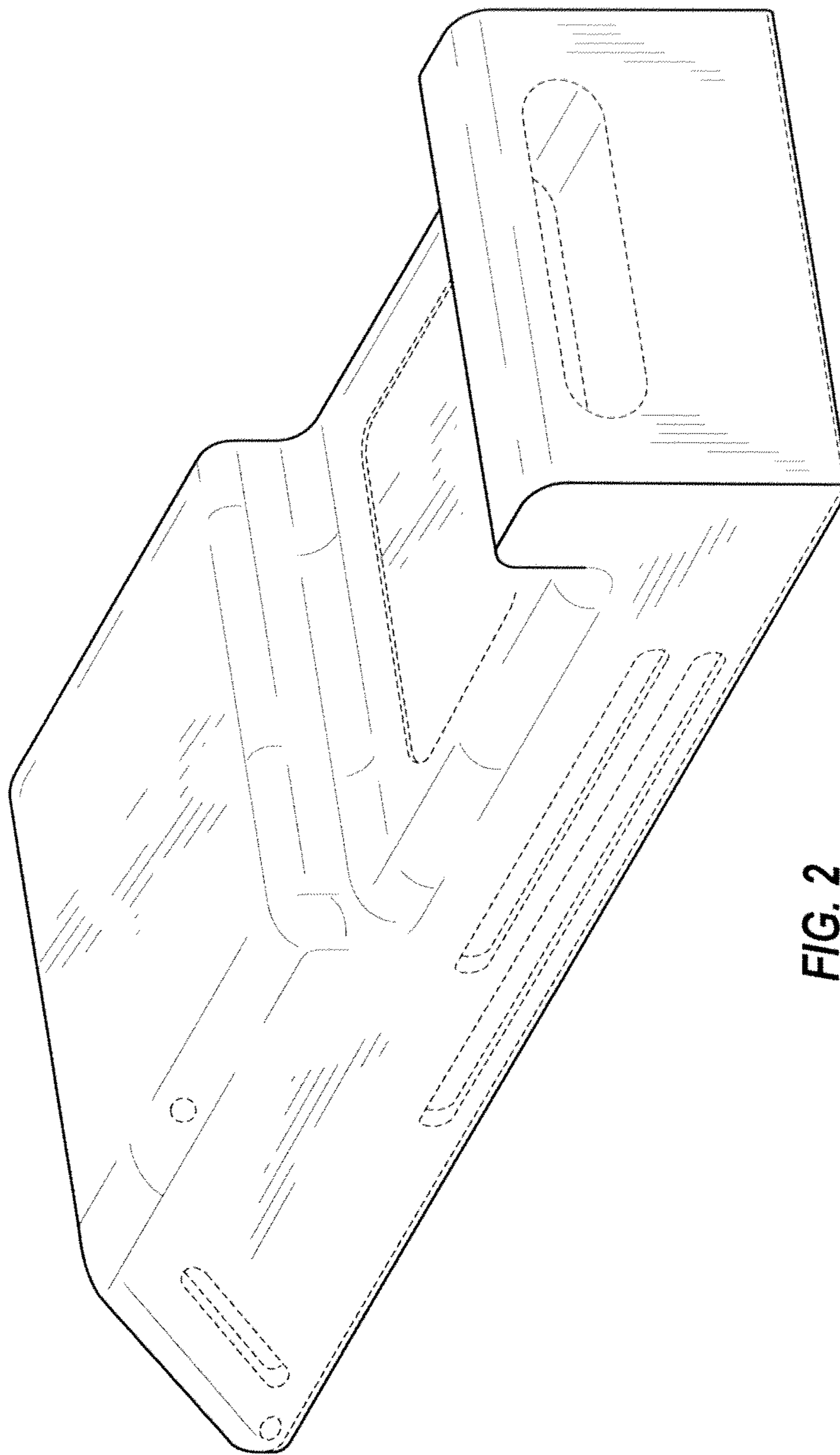


FIG. 2

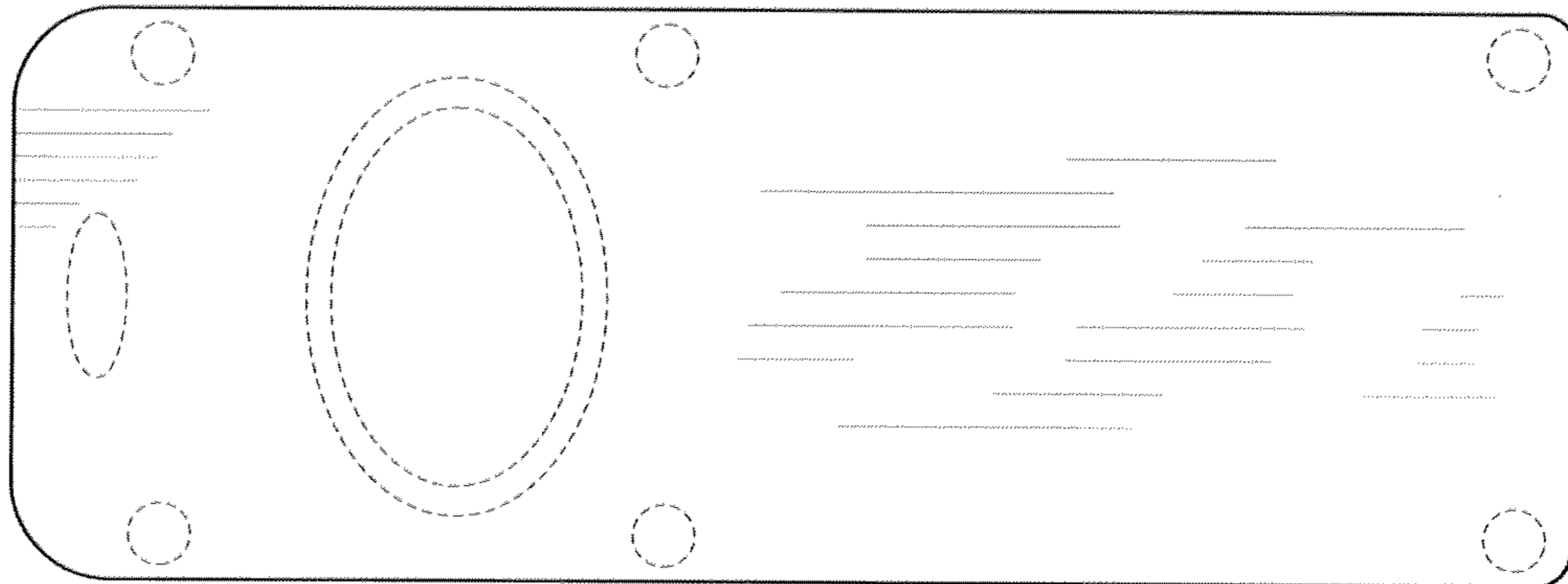


FIG. 3

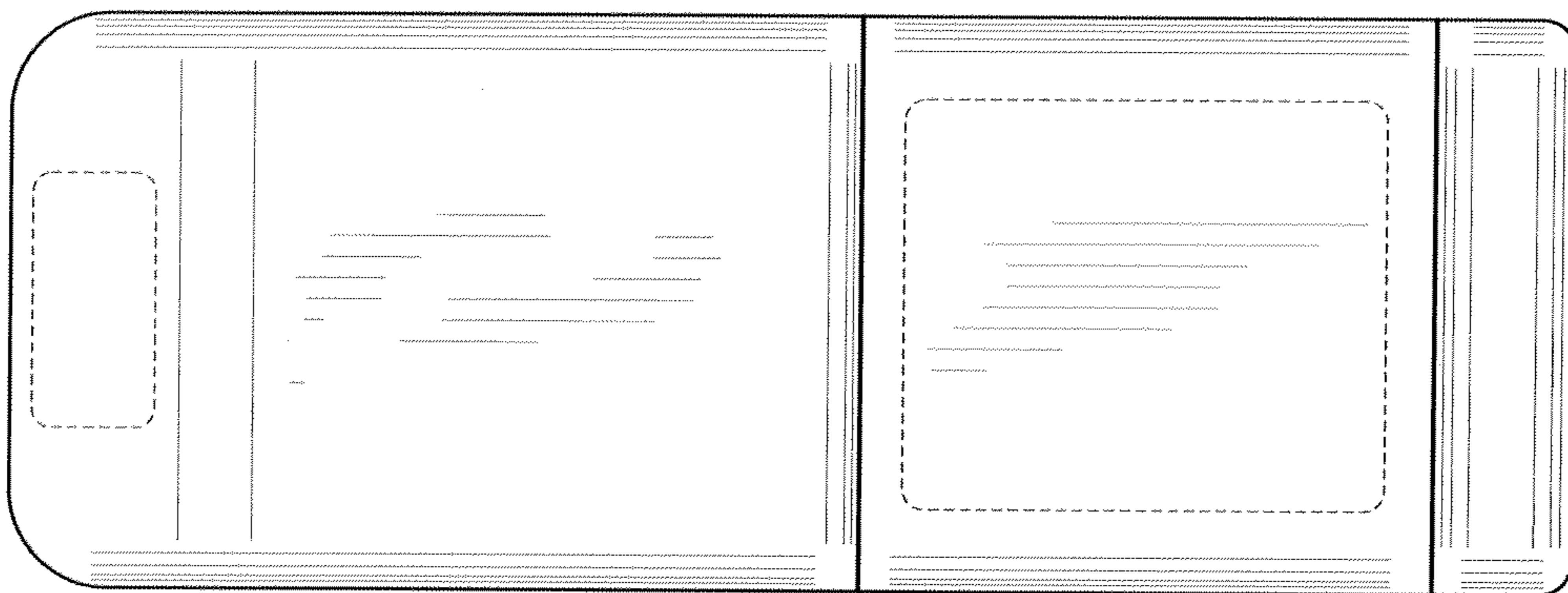


FIG. 4

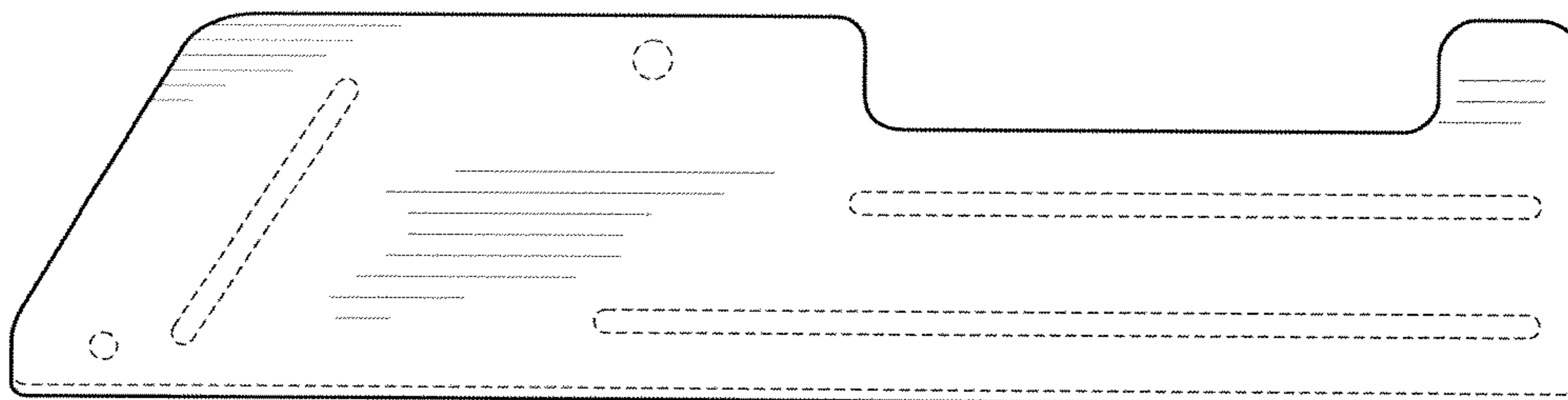


FIG. 5

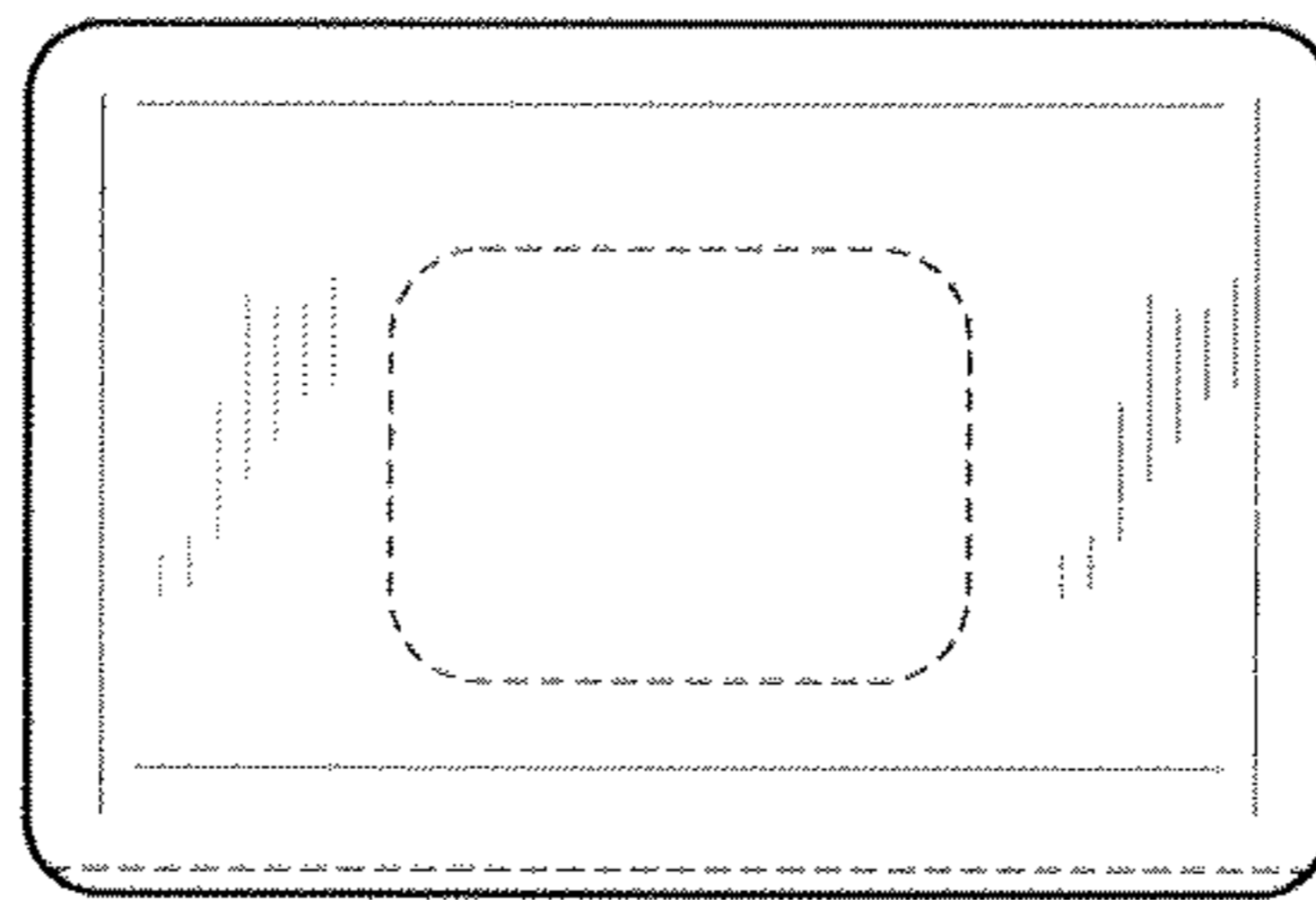


FIG. 6

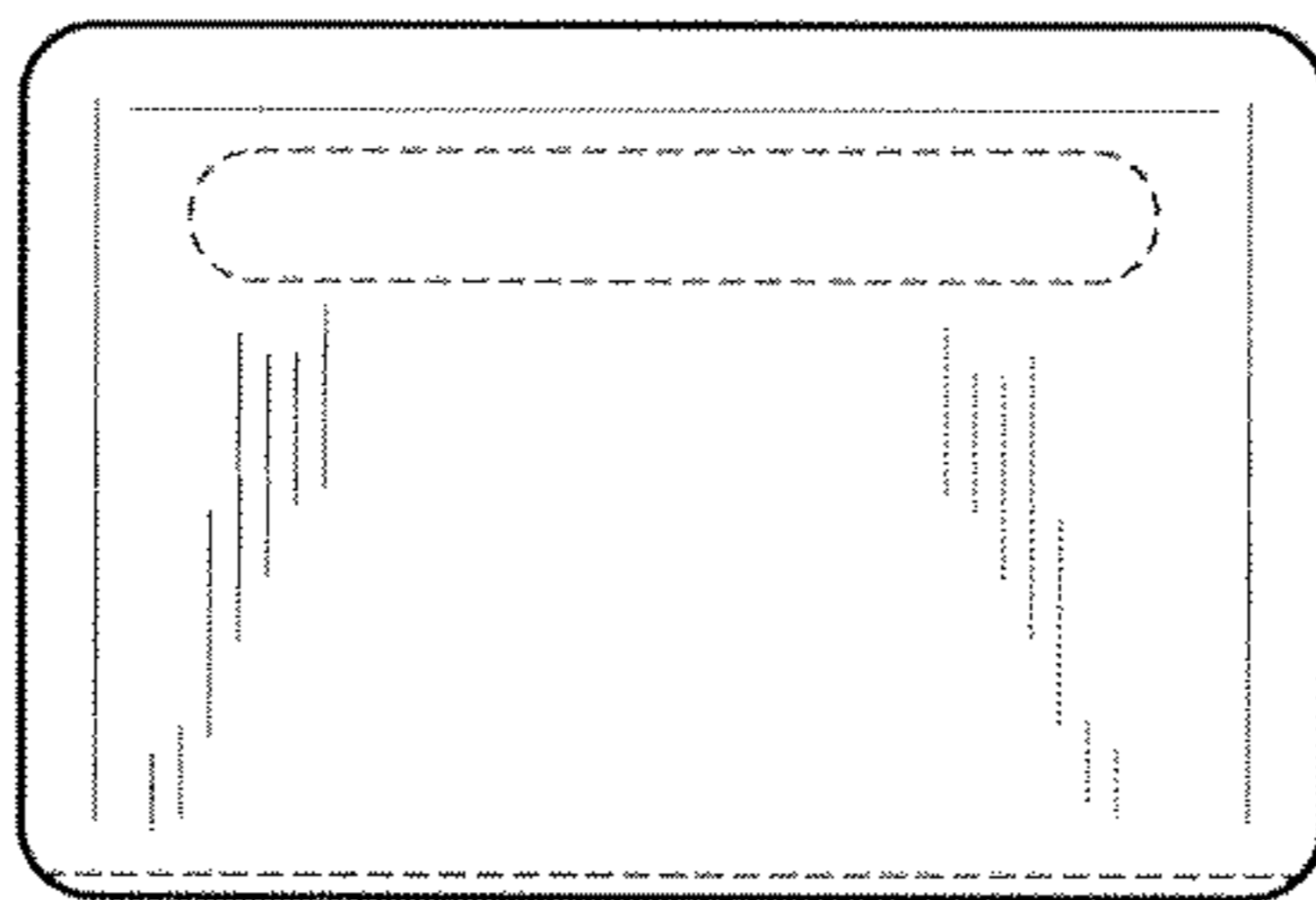


FIG. 7