



US00D681645S

(12) **United States Design Patent**
Meadows et al.

(10) **Patent No.:** **US D681,645 S**
(45) **Date of Patent:** **** May 7, 2013**

(54) **LUGGAGE STAND FOR ELECTRONIC DEVICE**

(75) Inventors: **Kyle Meadows**, Keller, TX (US); **Kevin Kuykendall**, Trophy Club, TX (US); **Greg H. Parker**, Dallas, TX (US); **Allen Donald Gollott, Jr.**, Missouri City, TX (US); **Philip E. Smid**, Tempe, AZ (US)

(73) Assignee: **Tri-Pad, LLC**, Trophy Club, TX (US)

(**) Term: **14 Years**

(21) Appl. No.: **29/415,412**

(22) Filed: **Mar. 9, 2012**

(51) **LOC (9) Cl.** **08-07**

(52) **U.S. Cl.**
USPC **D14/447**

(58) **Field of Classification Search** D14/447,
D14/432, 433, 434, 439, 440, 451, 452, 457,
D14/239, 251, 253, 217, 374, 375, 376, 377,
D14/902, 216, 209.1, 204; D12/415, 416;
D3/218, 274, 318, 321, 328; D6/406.3, 406.4;
190/117; 361/679.03, 679.09, 679.05, 679.26,
361/679.3, 679.55, 679.56, 679.27; 248/176.1,
248/917, 918, 919, 920, 921, 922, 923, 924,
248/682, 689, 690, 691, 692, 441.1, 444,
248/447, 451, 460, 463, 118, 118.5, 149,
248/150, 166, 434, 177.1; D10/113.4; D16/242,
D16/244, 245; 108/42, 152; D19/88
See application file for complete search history.

(56) **References Cited**

U.S. PATENT DOCUMENTS

D327,296 S * 6/1992 Klodt D19/99
6,065,251 A * 5/2000 Kindrick 52/36.4
D431,019 S * 9/2000 Richter D12/426.1
6,240,857 B1 * 6/2001 Elizer 108/152
D459,883 S * 7/2002 Worrell et al. D3/274
6,604,472 B2 * 8/2003 McNeil 108/42

D498,919 S * 11/2004 Fonfeder D3/206
D499,549 S * 12/2004 Rosler D3/282
D572,309 S * 7/2008 Bhavnani D19/88
D578,129 S * 10/2008 Weber D14/440
7,513,470 B2 * 4/2009 Lomberk 248/177.1
7,821,779 B2 * 10/2010 Daley, III 361/679.02
D634,329 S * 3/2011 Wastrom D14/457
D637,599 S * 5/2011 Liao D14/447
7,946,609 B2 * 5/2011 Johnson et al. 280/652
7,950,335 B1 * 5/2011 Almond et al. 108/42
D661,354 S * 6/2012 Karnis D19/88
2004/0262485 A1 * 12/2004 Marceau et al. 248/346.01
2007/0131825 A1 * 6/2007 Skrodzki 248/177.1
2011/0303126 A1 * 12/2011 Martenson 108/49

* cited by examiner

Primary Examiner — Angela J Lee

(57) **CLAIM**

The ornamental design for “luggage stand for electronic device,” as shown and described.

DESCRIPTION

FIG. 1 is a front perspective view of the luggage stand for electronic device;

FIG. 2 is a front view of the luggage stand for electronic device;

FIG. 3 is a rear view of the luggage stand for electronic device;

FIG. 4 is a right view of the luggage stand for electronic device;

FIG. 5 is a left view of the luggage stand for electronic device;

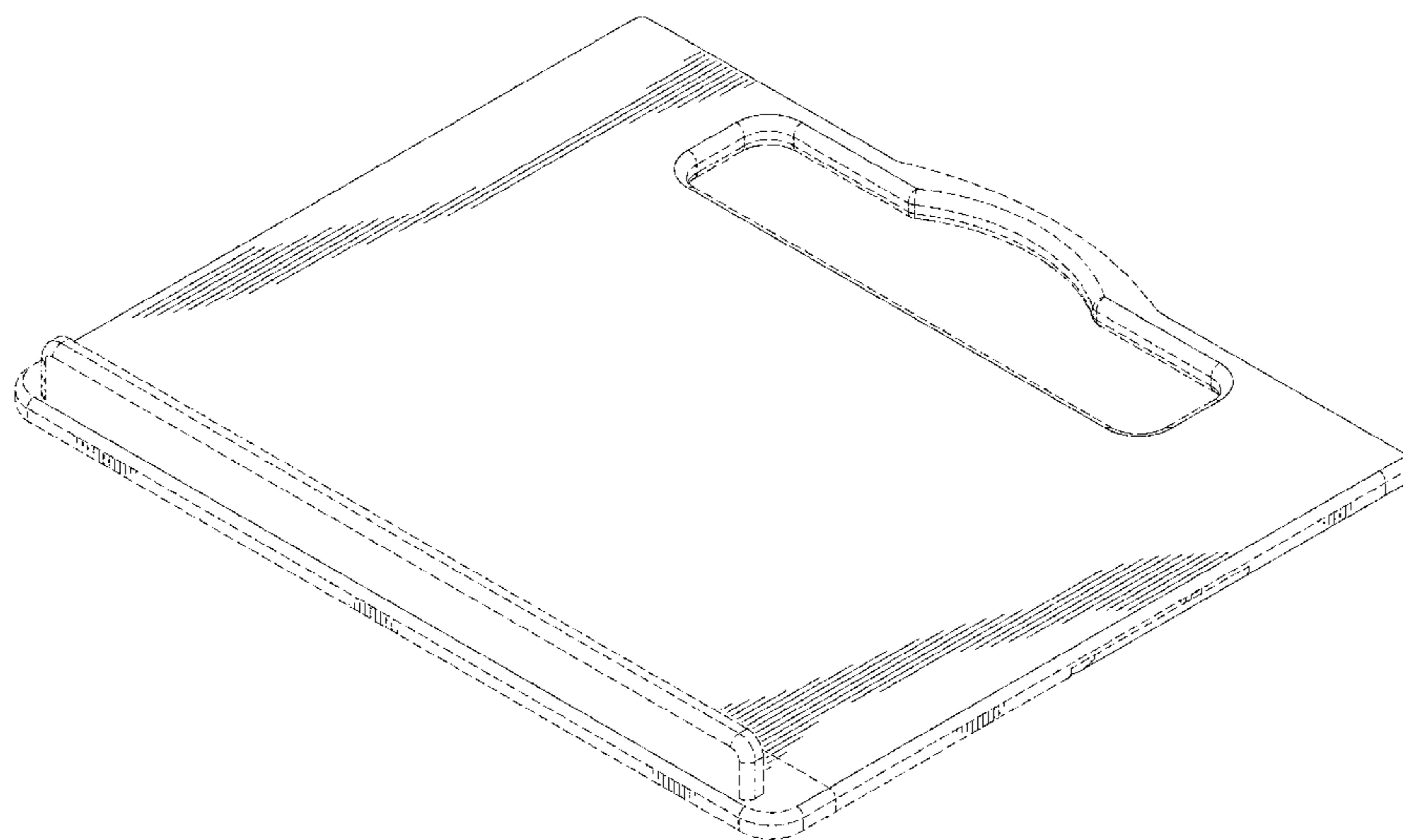
FIG. 6 is a top view of the luggage stand for electronic device;

FIG. 7 is a bottom view of the luggage stand for electronic device; and,

FIG. 8 is an environmental perspective view including the luggage stand for electronic device.

The broken lines shown in the drawings represent portions of the luggage stand for electronic device or environment that form no part of the claimed design.

1 Claim, 6 Drawing Sheets



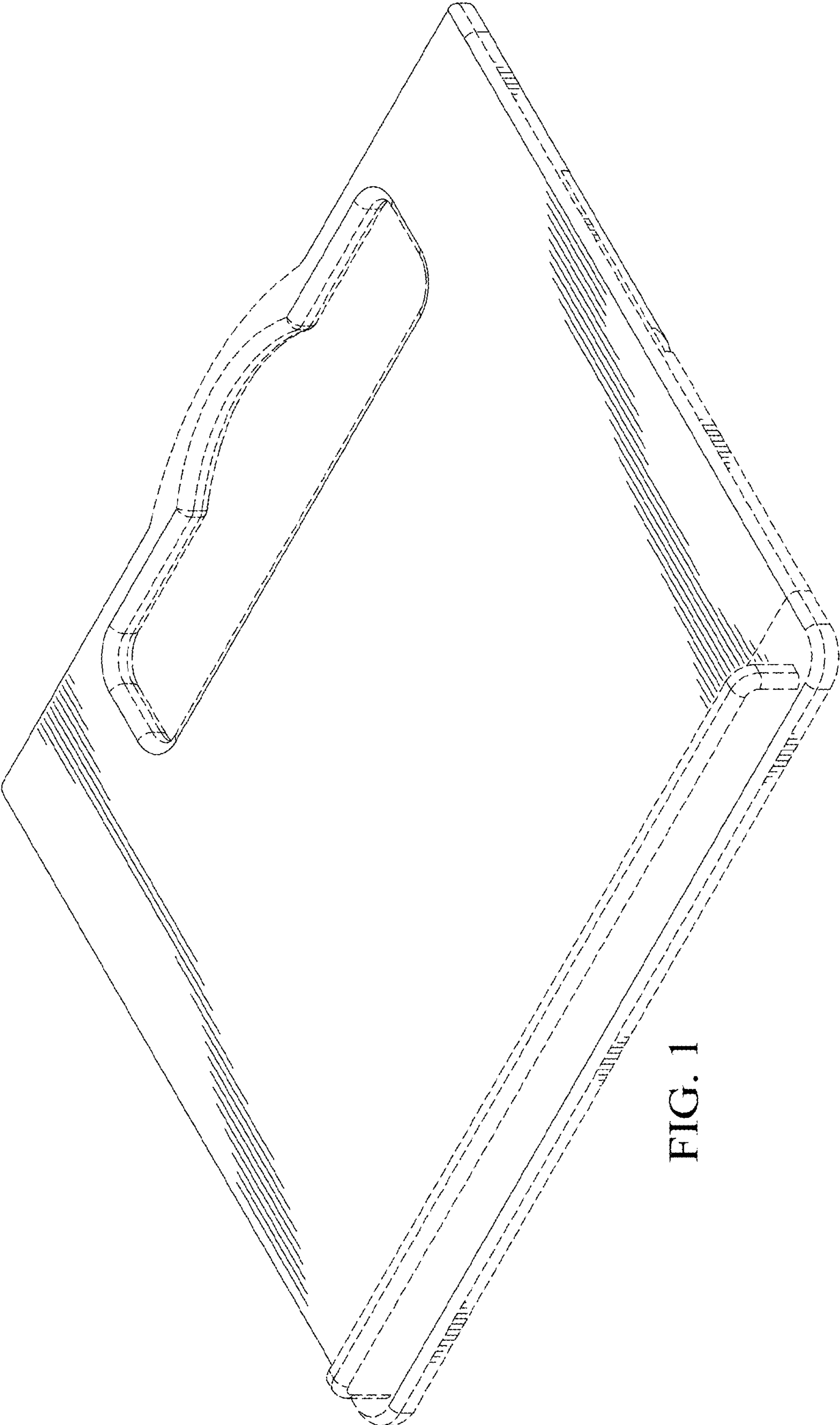


FIG. 1

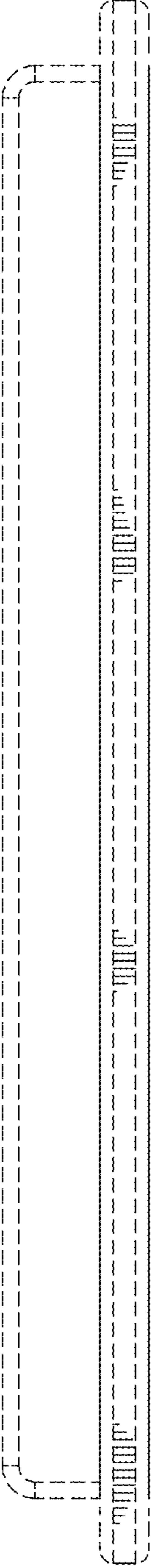


FIG. 2

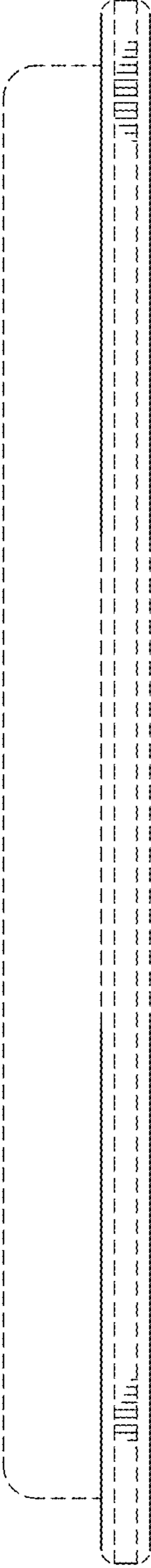


FIG. 3



FIG. 4

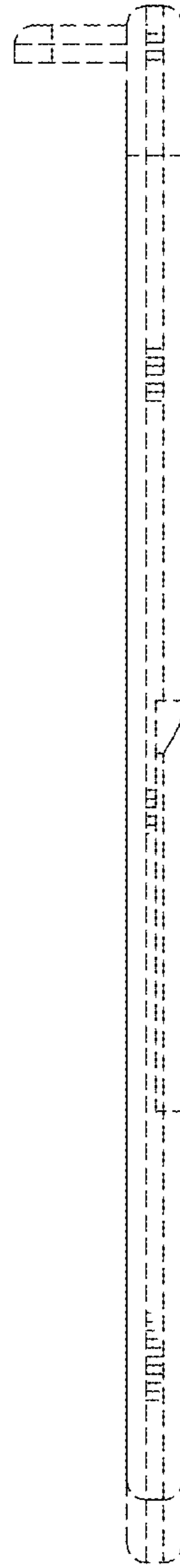


FIG. 5

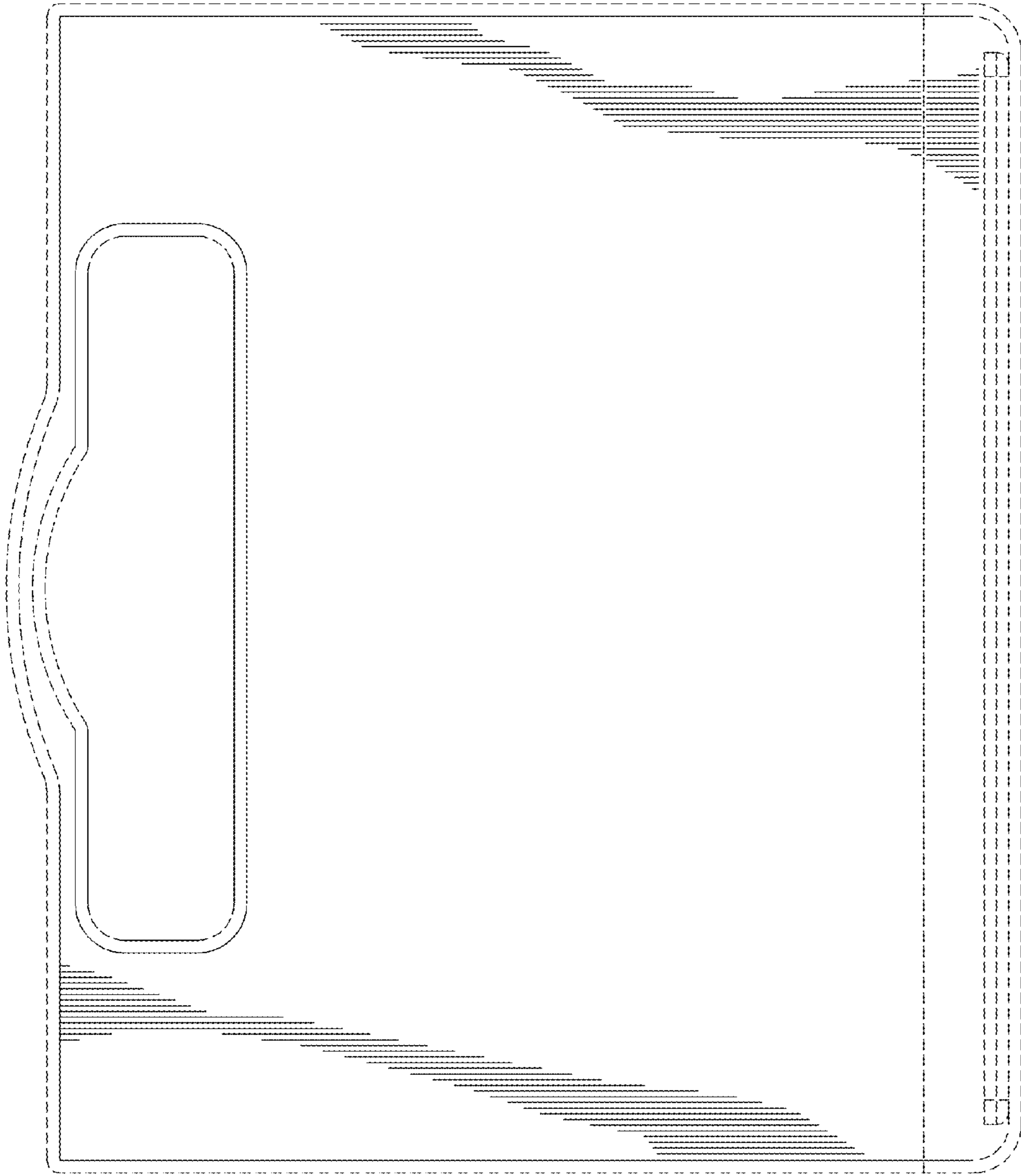


FIG. 6

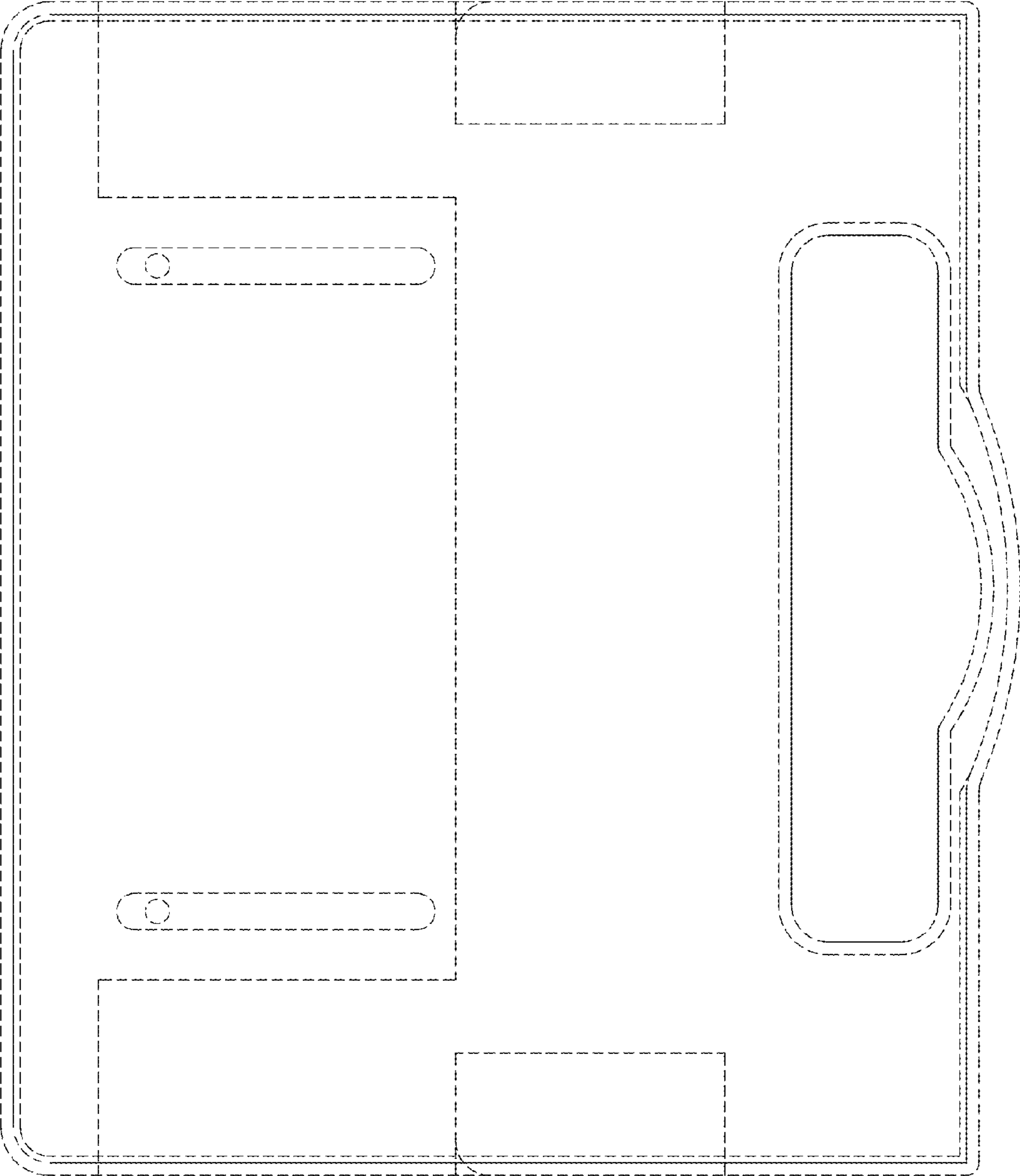


FIG. 7

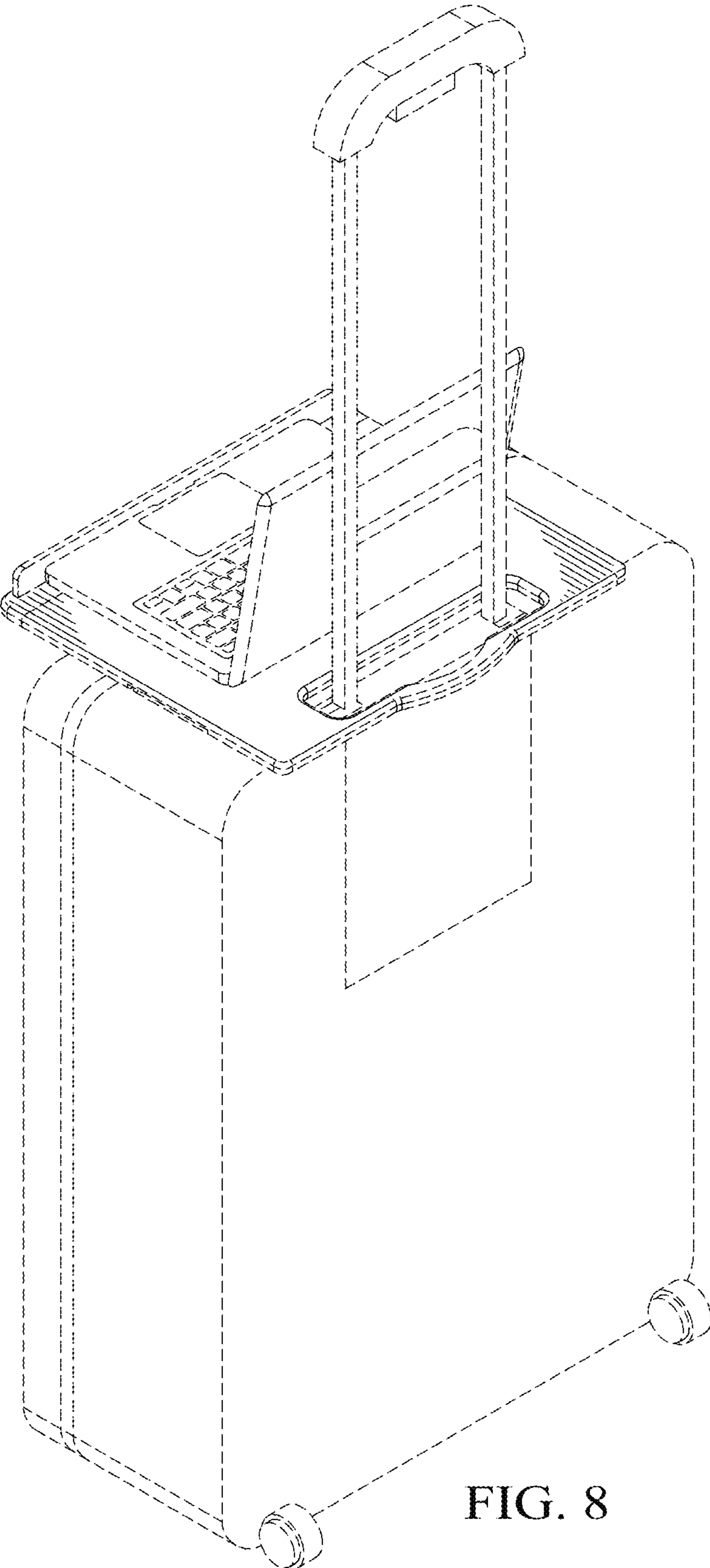


FIG. 8