



US00D681642S

(12) **United States Design Patent**
Meadows et al.

(10) **Patent No.:** **US D681,642 S**
(45) **Date of Patent:** **** May 7, 2013**

(54) **STAND FOR ELECTRONIC DEVICE**

(75) Inventors: **Kyle Meadows**, Keller, TX (US); **Kevin Kuykendall**, Trophy Club, TX (US); **Greg H. Parker**, Dallas, TX (US); **Allen Donald Gollott, Jr.**, Missouri City, TX (US); **Philip E. Smid**, Tempe, AZ (US)

(73) Assignee: **Tri-Pad, LLC**, Trophy Club, TX (US)

(**) Term: **14 Years**

(21) Appl. No.: **29/415,373**

(22) Filed: **Mar. 9, 2012**

(51) **LOC (9) Cl.** **08-07**

(52) **U.S. Cl.**
USPC **D14/447**

(58) **Field of Classification Search** D14/447,
D14/432, 433, 434, 439, 440, 451, 452, 457,
D14/239, 251, 253, 217, 374, 375, 376, 377,
D14/902, 216, 209.1, 204; D12/415, 416;
D3/218, 274, 318, 321, 328; D6/406.3, 406.4;
190/117; 361/679.03, 679.09, 679.05, 679.26,
361/679.3, 679.55, 679.56, 679.27; 248/176.1,
248/917, 918, 919, 920, 921, 922, 923, 924,
248/682, 689, 690, 691, 692, 441.1, 444,
248/447, 451, 460, 463, 118, 118.5, 149,
248/150, 166, 434, 177.1; D10/113.4; D16/242,
D16/244, 245; 108/42, 152; D19/88

See application file for complete search history.

(56) **References Cited**

U.S. PATENT DOCUMENTS

5,516,072 A * 5/1996 Shinno 248/460
D397,632 S * 9/1998 Evanyk D10/113.4
D431,019 S * 9/2000 Richter D12/426.1

6,240,857 B1 * 6/2001 Elizer 108/152
6,604,472 B2 * 8/2003 McNeil 108/42
D552,152 S * 10/2007 Almond D16/249
D558,774 S * 1/2008 Najima D14/447
7,513,470 B2 * 4/2009 Lomberk 248/177.1
7,821,779 B2 * 10/2010 Daley, III 361/679.02
D637,599 S * 5/2011 Liao D14/447
7,950,335 B1 * 5/2011 Almond et al. 108/42
D651,213 S * 12/2011 Magness et al. D14/447
D660,306 S * 5/2012 Voorhees D14/447
D661,310 S * 6/2012 Belongia et al. D14/447
2009/0224113 A1 * 9/2009 Voorhees 248/122.1
2012/0175396 A1 * 7/2012 Patino 224/627

* cited by examiner

Primary Examiner — Angela J Lee

(57) **CLAIM**

The ornamental design for “stand for electronic device,” as shown and described.

DESCRIPTION

FIG. 1 is a front perspective view of the stand for electronic device;

FIG. 2 is a front view of the stand for electronic device;

FIG. 3 is a rear view of the stand for electronic device;

FIG. 4 is a right view of the stand for electronic device;

FIG. 5 is a left view of the stand for electronic device;

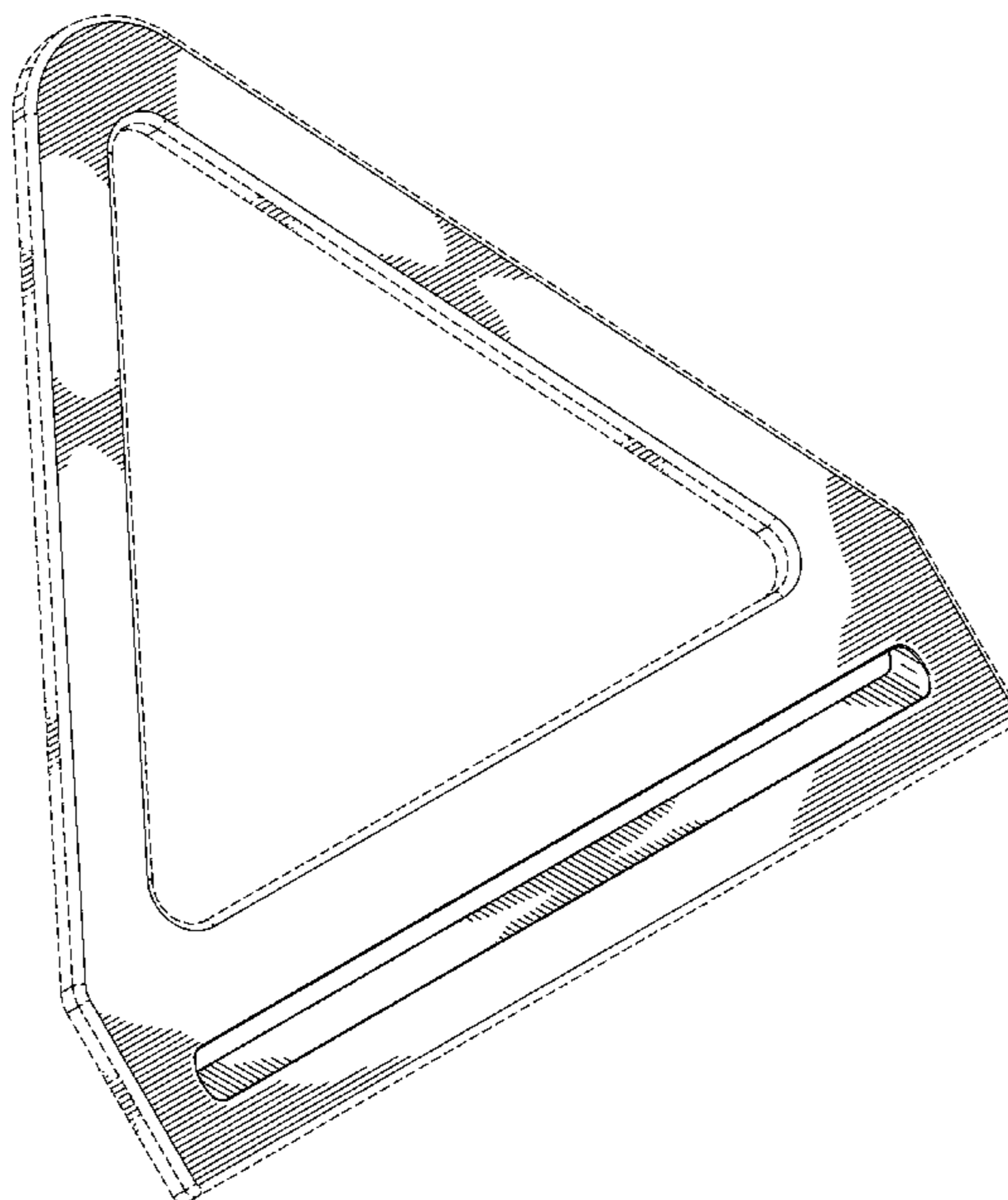
FIG. 6 is a top view of the stand for electronic device;

FIG. 7 is a bottom view of the stand for electronic device; and,

FIG. 8 is an environmental perspective view including the stand for electronic device.

The broken lines shown in the drawings represent portions of the stand for electronic device or environment that form no part of the claimed design.

1 Claim, 8 Drawing Sheets



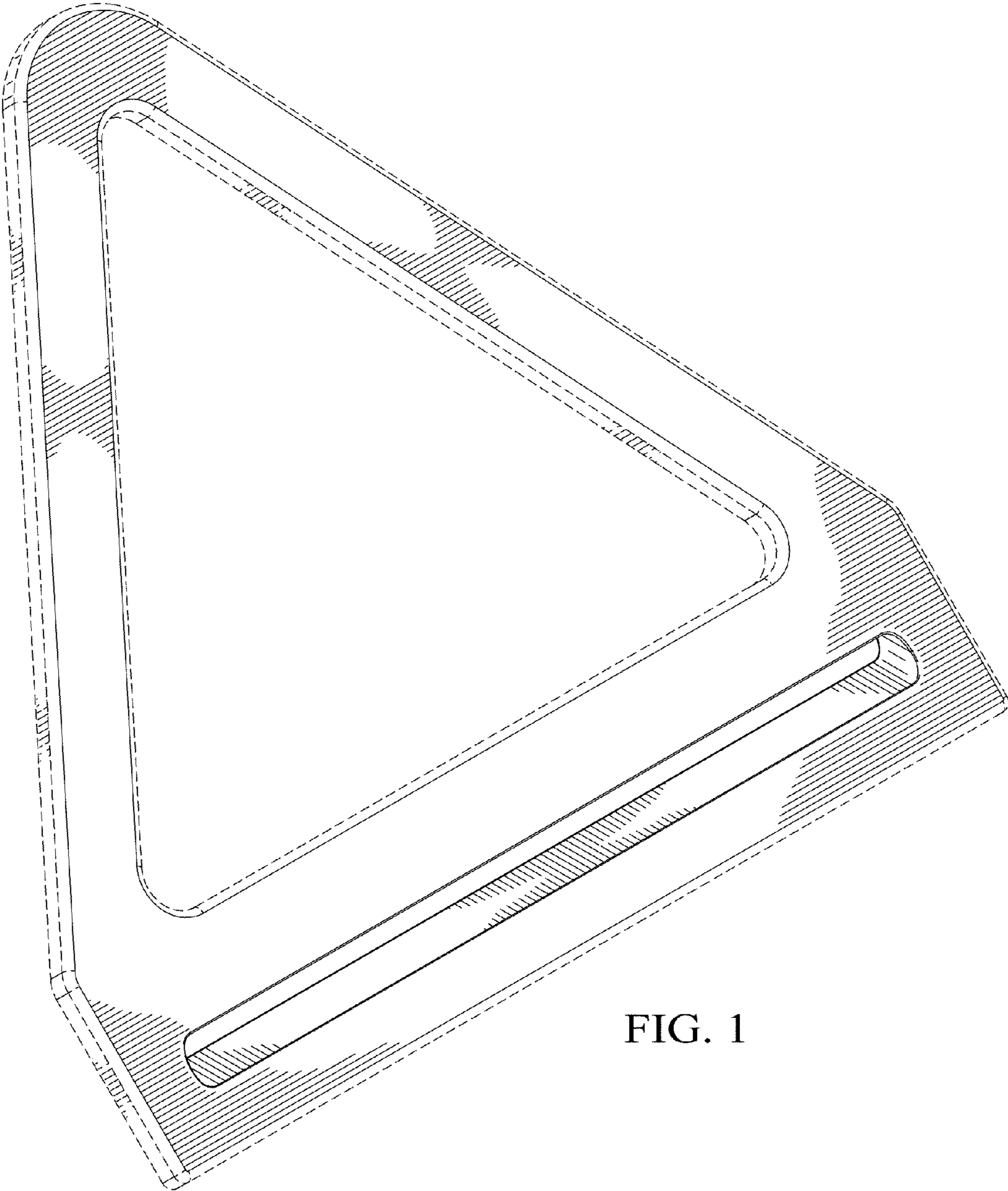


FIG. 1

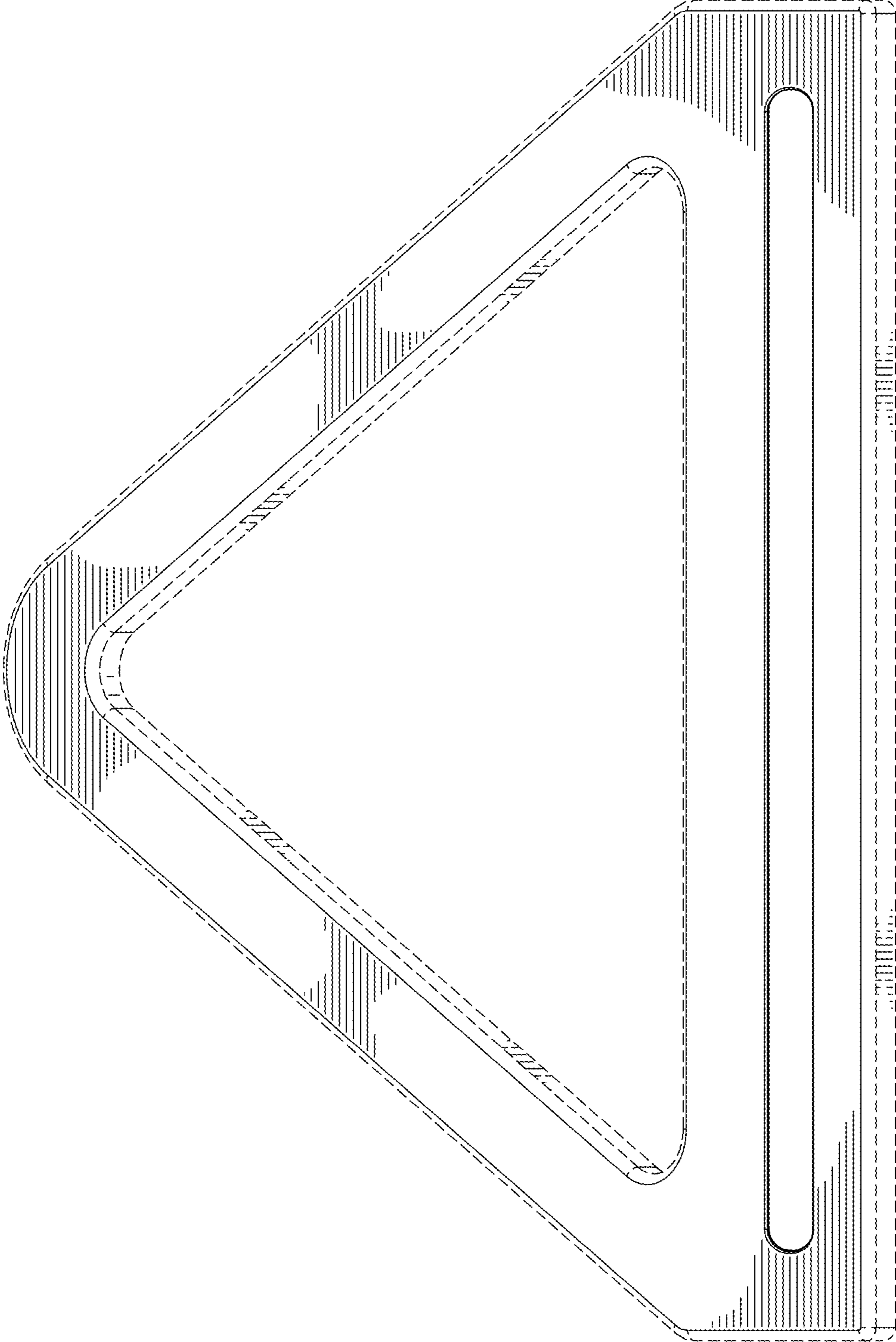


FIG. 2

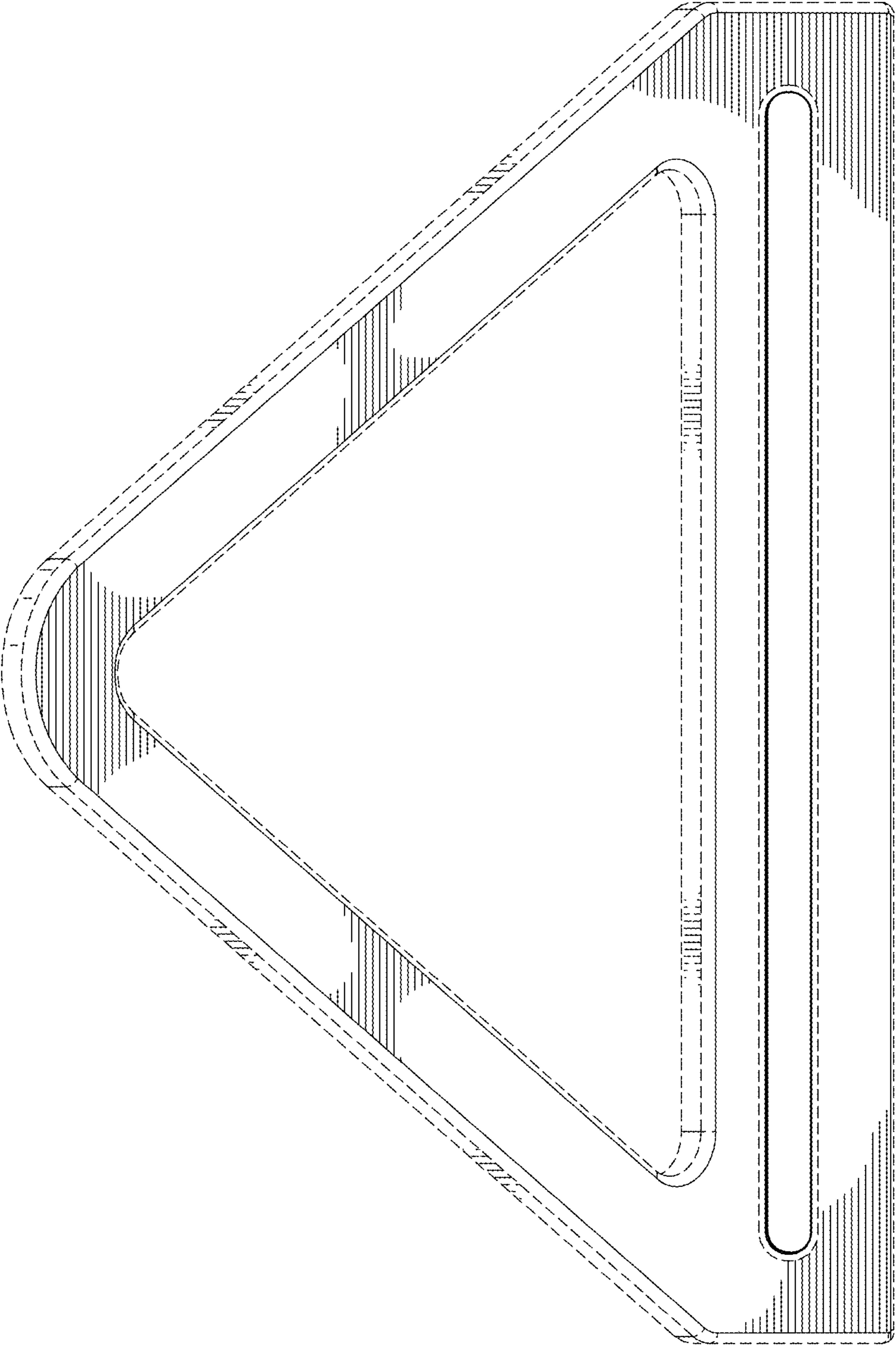


FIG. 3

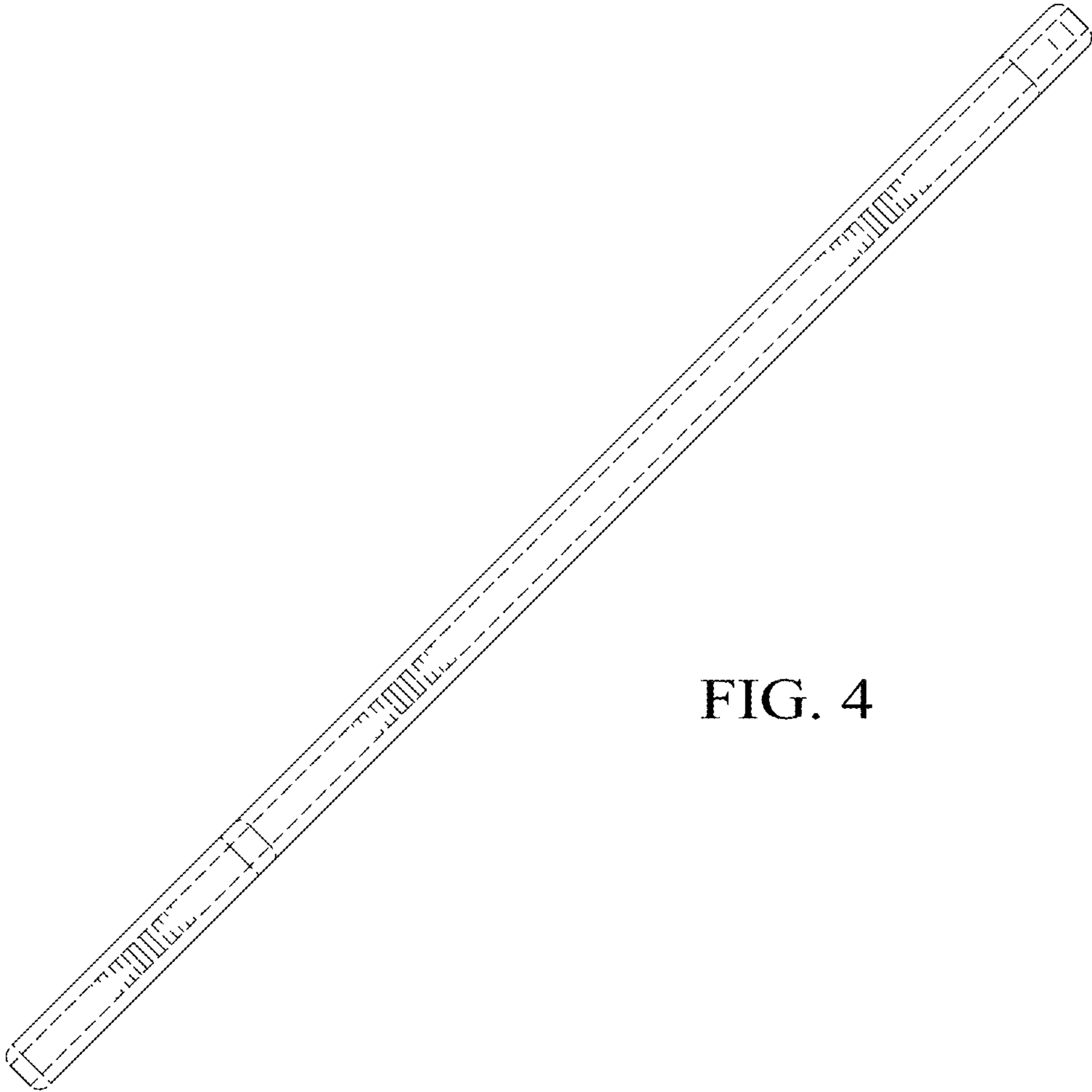


FIG. 4

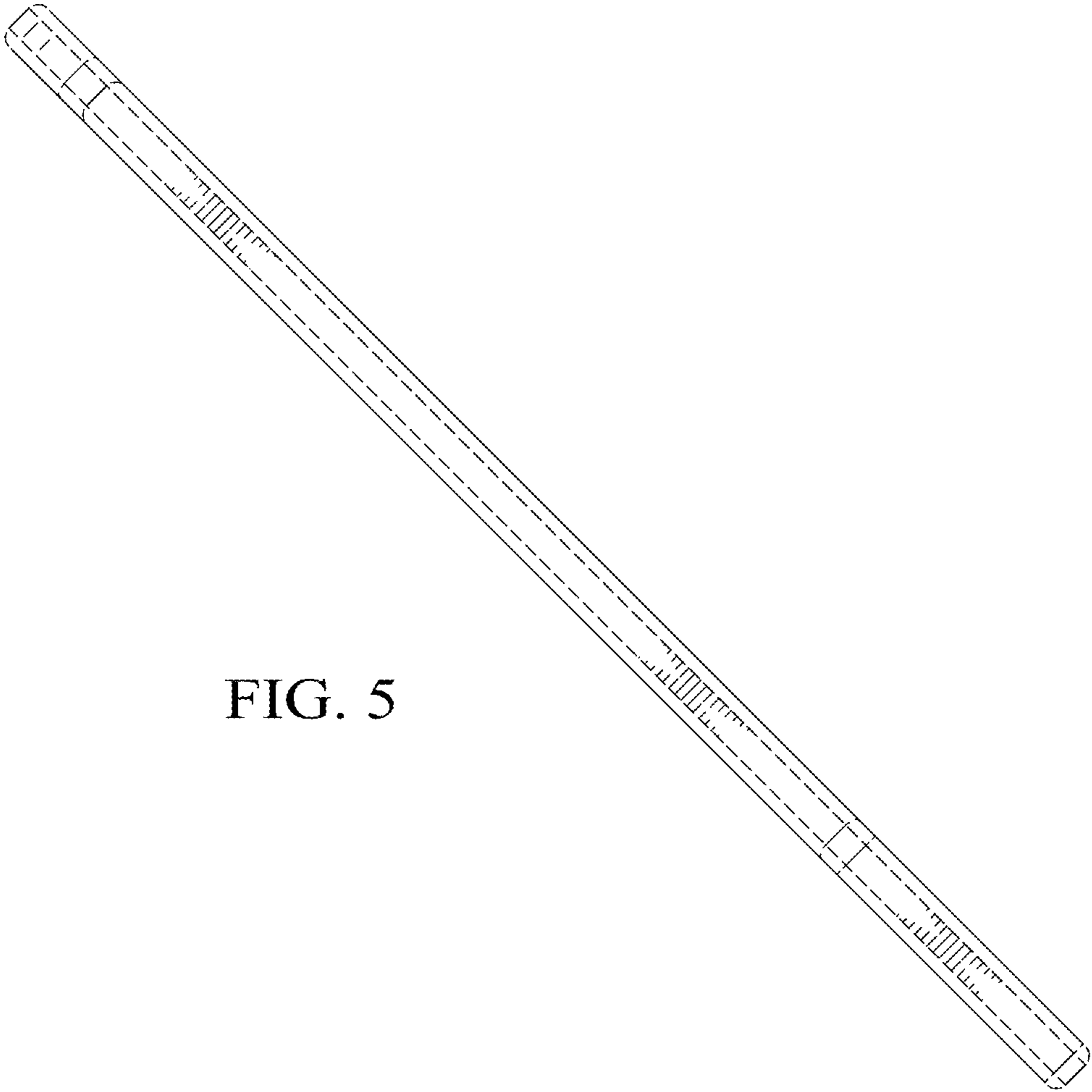


FIG. 5

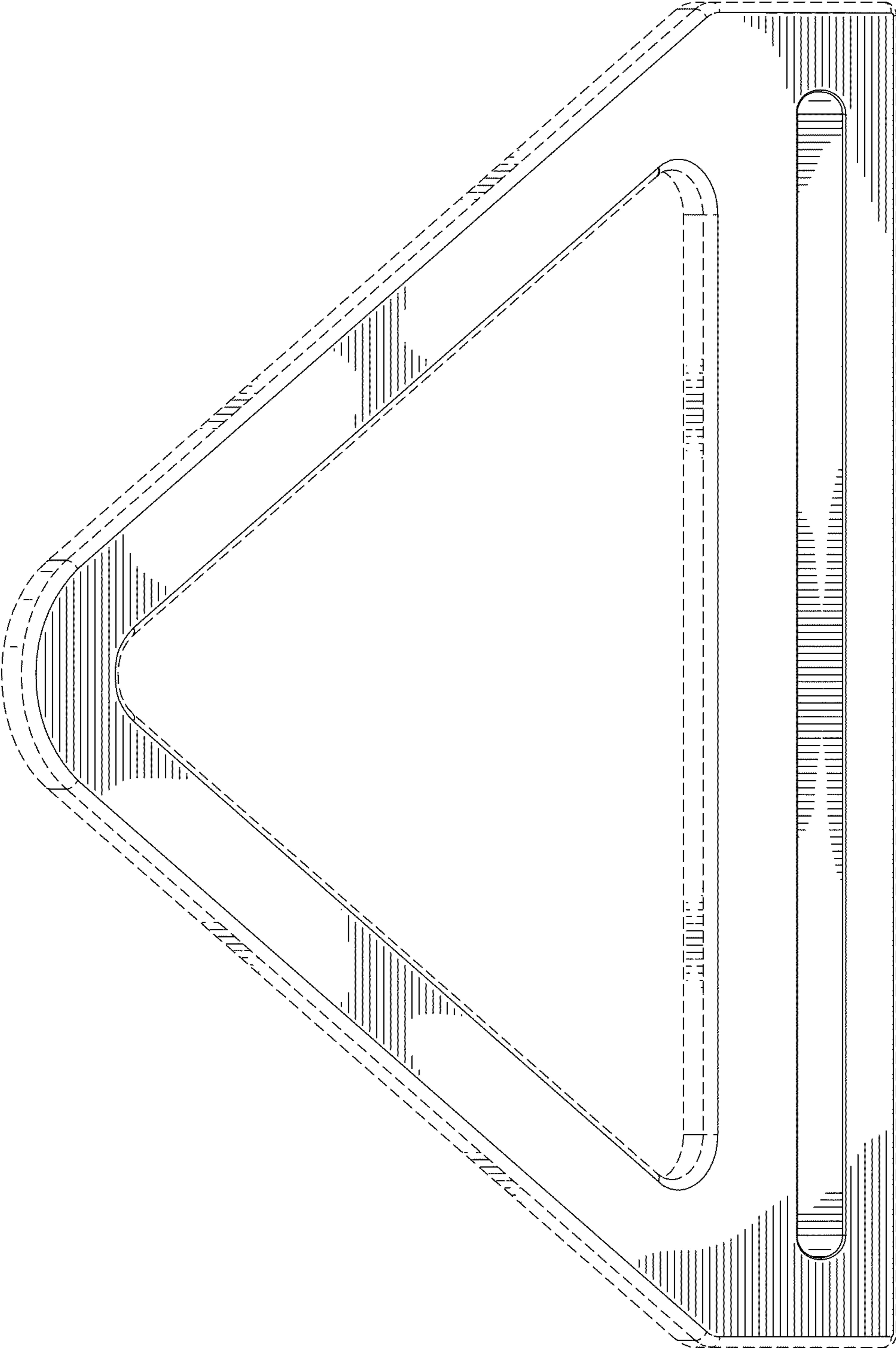


FIG. 6

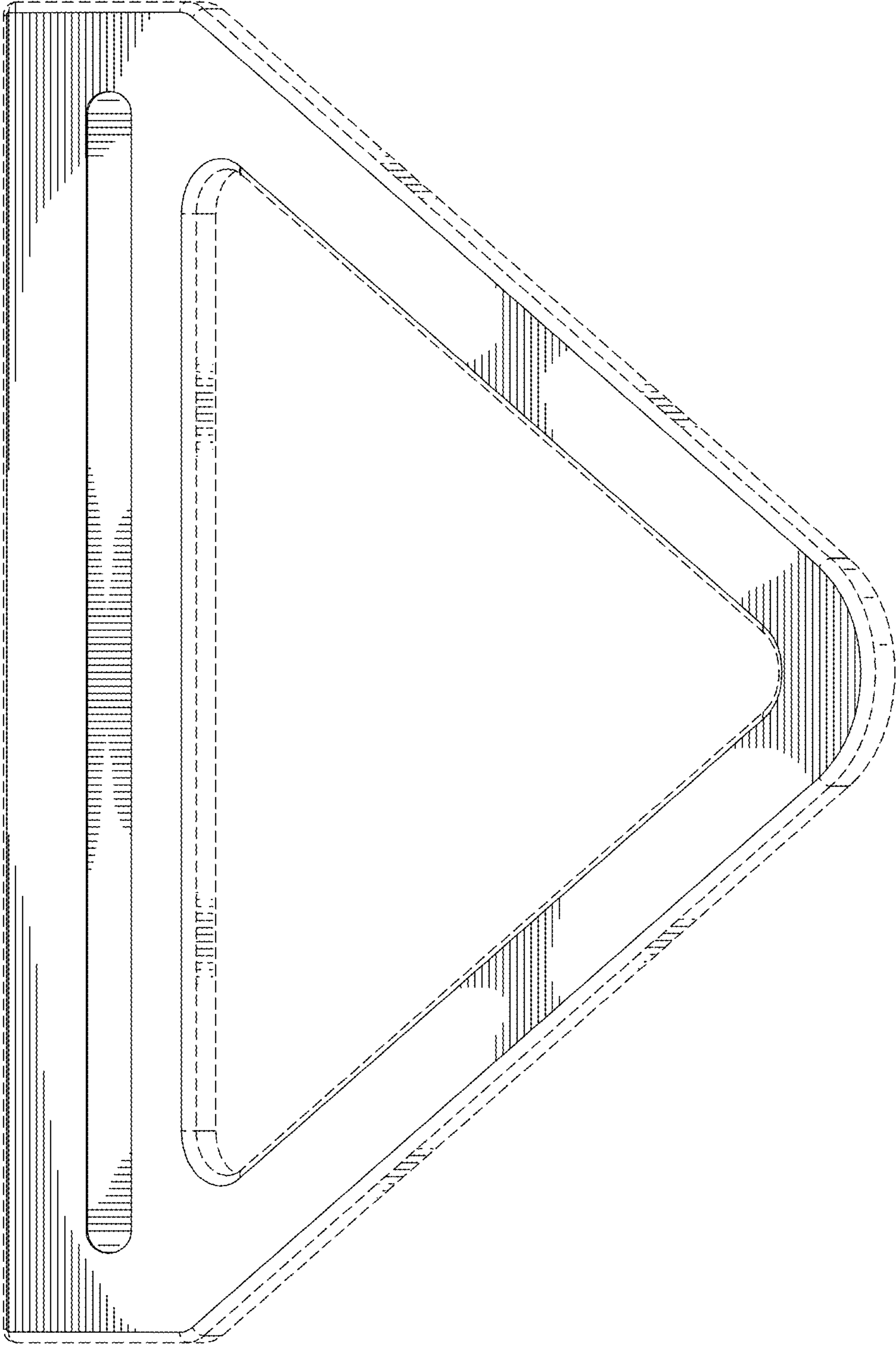


FIG. 7

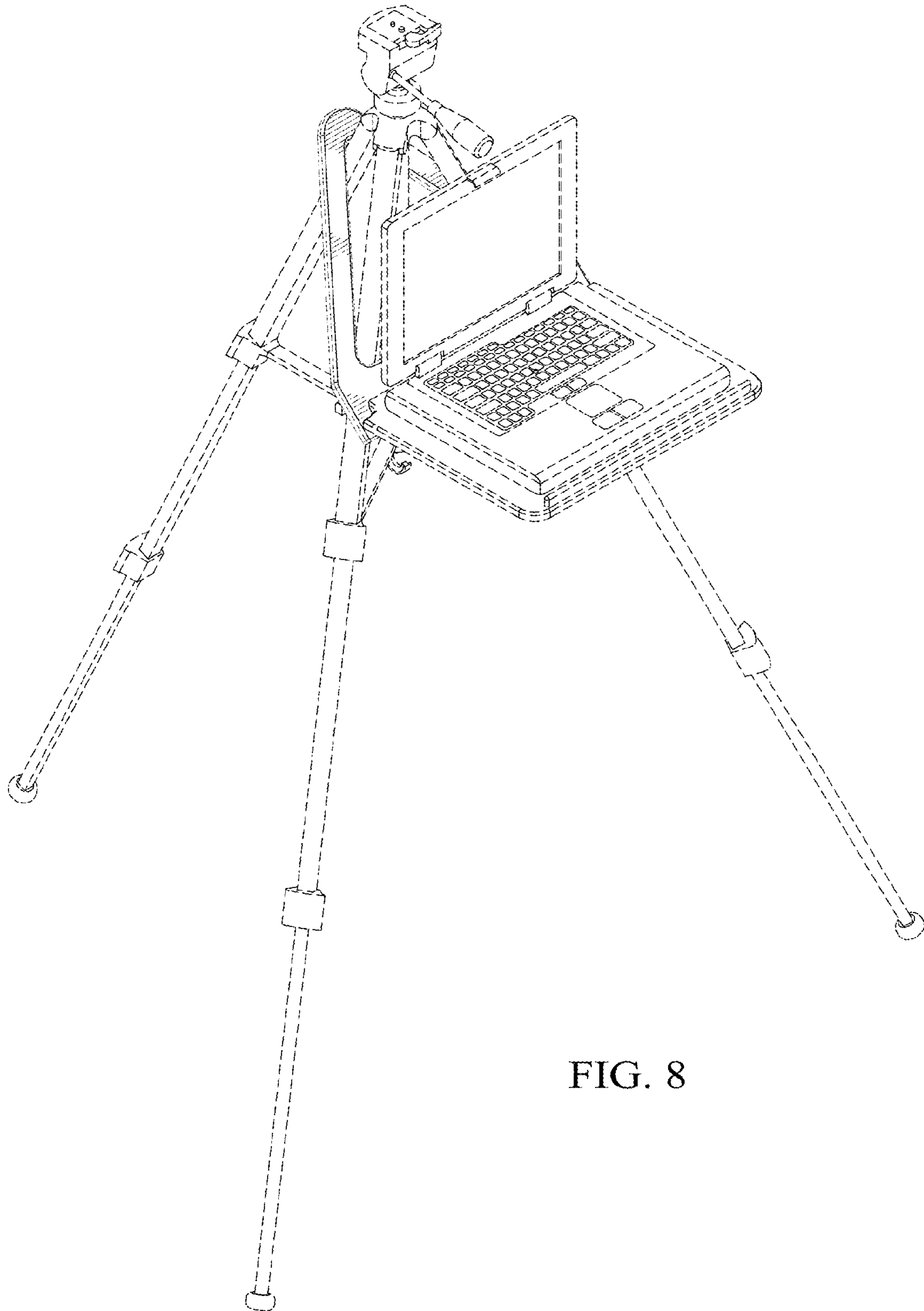


FIG. 8