

US00D681640S

(12) **United States Design Patent**
Aoki et al.

(10) **Patent No.:** **US D681,640 S**

(45) **Date of Patent:** **** May 7, 2013**

(54) **STORAGE MEDIUM**

(75) Inventors: **Yoshitaka Aoki**, Tokyo (JP); **Takashi Sogabe**, Tokyo (JP); **Shinjiro Komatani**, Tokyo (JP)

(73) Assignee: **Sony Computer Entertainment Inc.**, Tokyo (JP)

(**) Term: **14 Years**

(21) Appl. No.: **29/371,615**

(22) Filed: **May 24, 2011**

(30) **Foreign Application Priority Data**

Dec. 3, 2010 (JP) D2010-028894

(51) **LOC (9) Cl.** **14-02**

(52) **U.S. Cl.**

USPC **D14/436**

(58) **Field of Classification Search** D14/435-438, D14/478-480; 235/441, 443, 487, 492, 493, 235/495; 361/737, 679, 752, 736, 728, 796, 361/797, 729, 730, 725-727; 257/678, 679, 257/693, E23.064; 439/946, 948, 159; 174/250, 174/260, 52.1, 52.2; 710/300-303; 438/121
See application file for complete search history.

(56) **References Cited**

U.S. PATENT DOCUMENTS

D416,886 S *	11/1999	Hirai et al.	D14/436
D434,042 S *	11/2000	Yasufuku et al.	D14/436
D449,835 S *	10/2001	Ohtani	D14/436
D452,864 S *	1/2002	Wallace et al.	D14/436
D474,774 S *	5/2003	Taniguchi et al.	D14/436
D475,056 S *	5/2003	Taniguchi et al.	D14/436
D475,713 S *	6/2003	Taniguchi et al.	D14/436
D475,714 S *	6/2003	Taniguchi et al.	D14/436
D476,011 S *	6/2003	Taniguchi et al.	D14/436
D476,012 S *	6/2003	Taniguchi et al.	D14/436

(Continued)

FOREIGN PATENT DOCUMENTS

JP D1090240 S 11/2000
JP D1090338 S 11/2000

(Continued)

OTHER PUBLICATIONS

Decision to Grant from Taiwanese Patent Office issued Dec. 22, 2011 for application No. 100302540.

Primary Examiner — Susan Moon Lee

(74) *Attorney, Agent, or Firm* — Rader, Fishman & Grauer PLLC

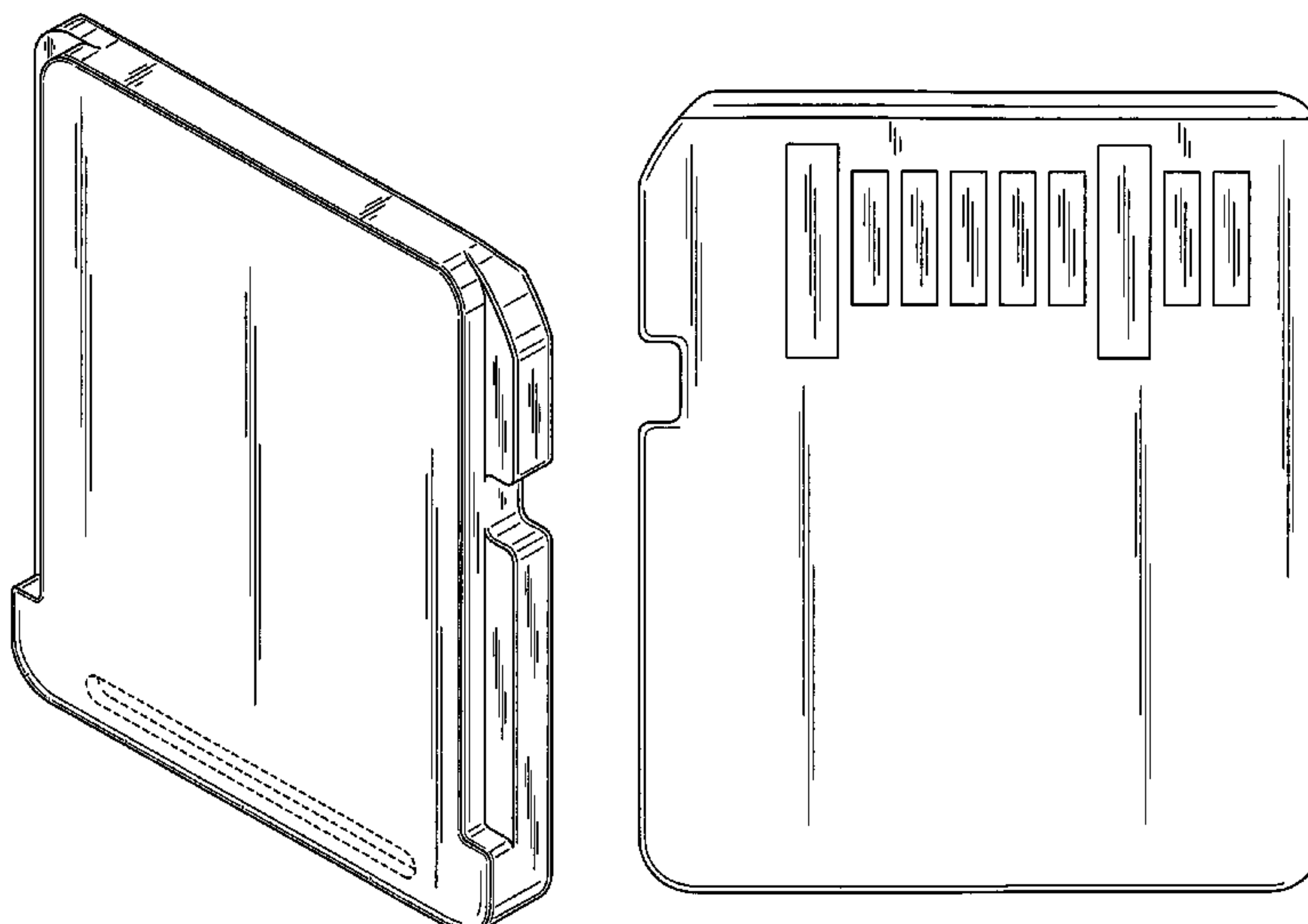
(57) **CLAIM**

The ornamental design for a storage medium, as shown and described.

DESCRIPTION

FIG. 1 is a perspective view of a storage medium showing our new design;
FIG. 2 is a front elevational view thereof;
FIG. 3 is a rear elevational view thereof;
FIG. 4 is a left side elevational view thereof;
FIG. 5 is a right side elevational view thereof;
FIG. 6 is a top plan view thereof; and
FIG. 7 is a bottom plan view thereof
FIG. 8 is a perspective view of another embodiment of a storage medium showing our new design;
FIG. 9 is a front elevational view;
FIG. 10 is a rear elevational view thereof;
FIG. 11 is a left side elevational view thereof;
FIG. 12 is a right side elevational view thereof;
FIG. 13 is a top plan view thereof; and,
FIG. 14 is a bottom plan view thereof.
Portions in broken lines are for illustrative purposes only and form no part of the claimed design.

1 Claim, 10 Drawing Sheets



US D681,640 S

Page 2

U.S. PATENT DOCUMENTS

D487,747	S	*	3/2004	Yu et al.	D14/436
D488,477	S	*	4/2004	Yu et al.	D14/436
D493,798	S	*	8/2004	Yu et al.	D14/436
D504,433	S	*	4/2005	Nishizawa et al.	D14/436
D505,959	S	*	6/2005	Yamada et al.	D14/436
D507,795	S	*	7/2005	Yamada et al.	D14/436
D510,579	S	*	10/2005	Yamada et al.	D14/436
D510,935	S	*	10/2005	Yamada et al.	D14/436
D517,072	S	*	3/2006	Yamada et al.	D14/436
D517,559	S	*	3/2006	Yu et al.	D14/436
D529,031	S	*	9/2006	Huang et al.	D14/436
D533,556	S	*	12/2006	Yamada et al.	D14/436
D536,382	S	*	2/2007	Sugino et al.	D21/332
7,193,161	B1	*	3/2007	Takiar et al.	174/521
D552,098	S	*	10/2007	Nishizawa et al.	D14/436
D552,099	S	*	10/2007	Nishizawa et al.	D14/436
D552,612	S	*	10/2007	Nishizawa et al.	D14/436
D556,202	S		11/2007	Kadonaga		
D556,764	S	*	12/2007	Nishizawa et al.	D14/436
D581,932	S	*	12/2008	Nishizawa et al.	D14/436
D586,349	S	*	2/2009	Matsumoto et al.	D14/436
D591,752	S		5/2009	Aoki		
D604,738	S	*	11/2009	Matsumoto et al.	D14/436
D641,050	S	*	7/2011	Matsui et al.	D21/332
D669,479	S	*	10/2012	Lepp et al.	D14/436
D670,292	S	*	11/2012	Komatani et al.	D14/436
2004/0037145	A1	*	2/2004	Tagawa et al.	365/222

FOREIGN PATENT DOCUMENTS

JP	D1090339	S	11/2000
JP	D1190161	S	11/2003
JP	D1190162	S	11/2003

JP	D1210917	S	7/2004
JP	D1210918	S	7/2004
JP	D1211213	S	7/2004
JP	D1211214	S	7/2004
JP	D1211215	S	7/2004
JP	D1212647	S	7/2004
JP	D1212850	S	7/2004
JP	D1212851	S	7/2004
JP	D1222874	S	11/2004
JP	D1222875	S	11/2004
JP	D1222876	S	11/2004
JP	D1222877	S	11/2004
JP	D1251830	S	9/2005
JP	D1251831	S	9/2005
JP	D1252070	S	9/2005
JP	D1252071	S	9/2005
JP	D1261583	S	1/2006
JP	D1262094	S	2/2006
JP	D1262095	S	2/2006
JP	D1262274	S	2/2006
JP	D1262275	S	2/2006
JP	D1267223	S	4/2006
JP	D1267224	S	4/2006
JP	D1267225	S	4/2006
JP	D1229650	S	1/2008
JP	D1229740	S	1/2008
JP	D1349679	S	1/2009
JP	D1349680	S	1/2009
JP	D1337393	S	11/2009
JP	D1337732	S	11/2009
TW	D536271		6/2003
TW	D129970		8/2009

* cited by examiner

FIG.1

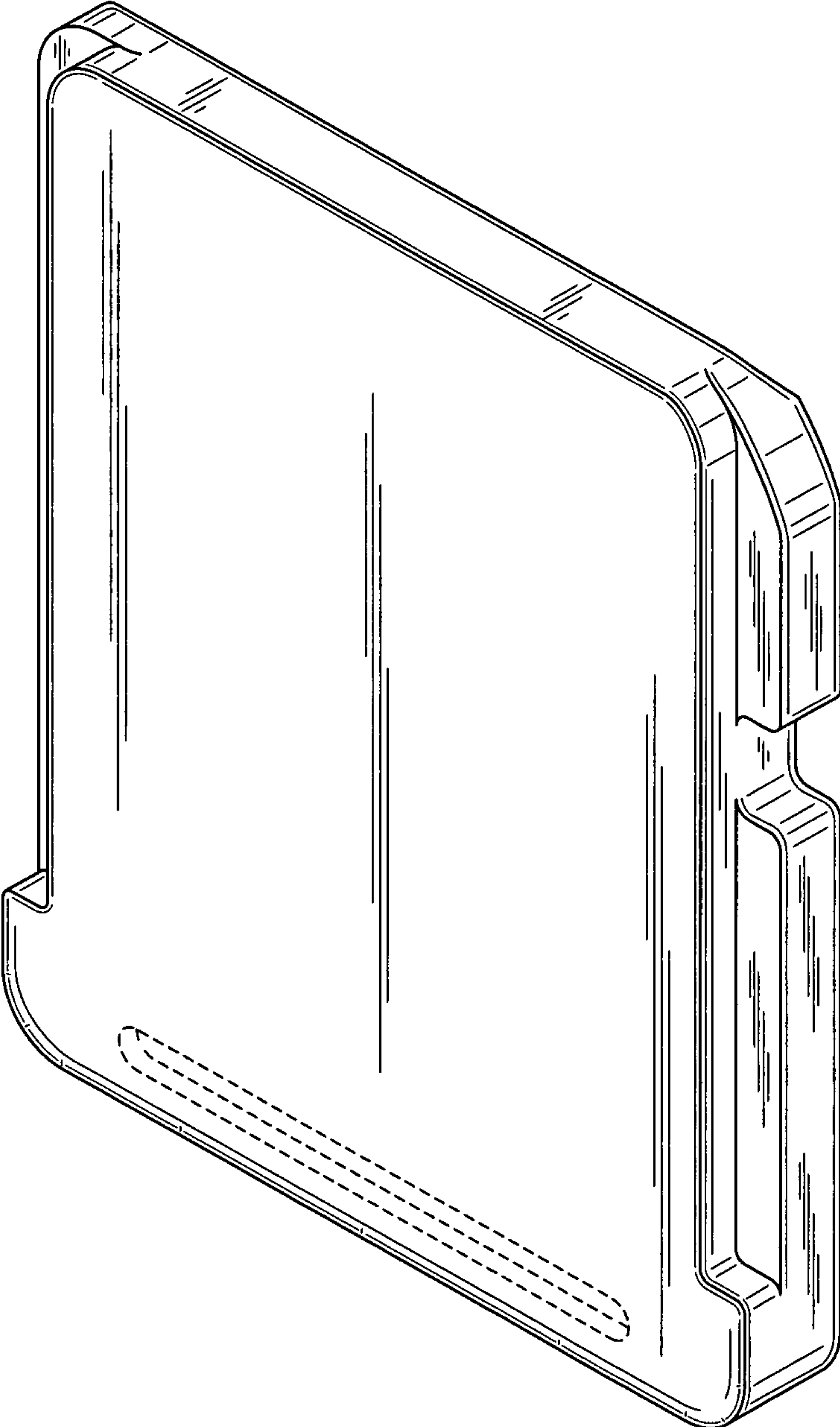


FIG.2

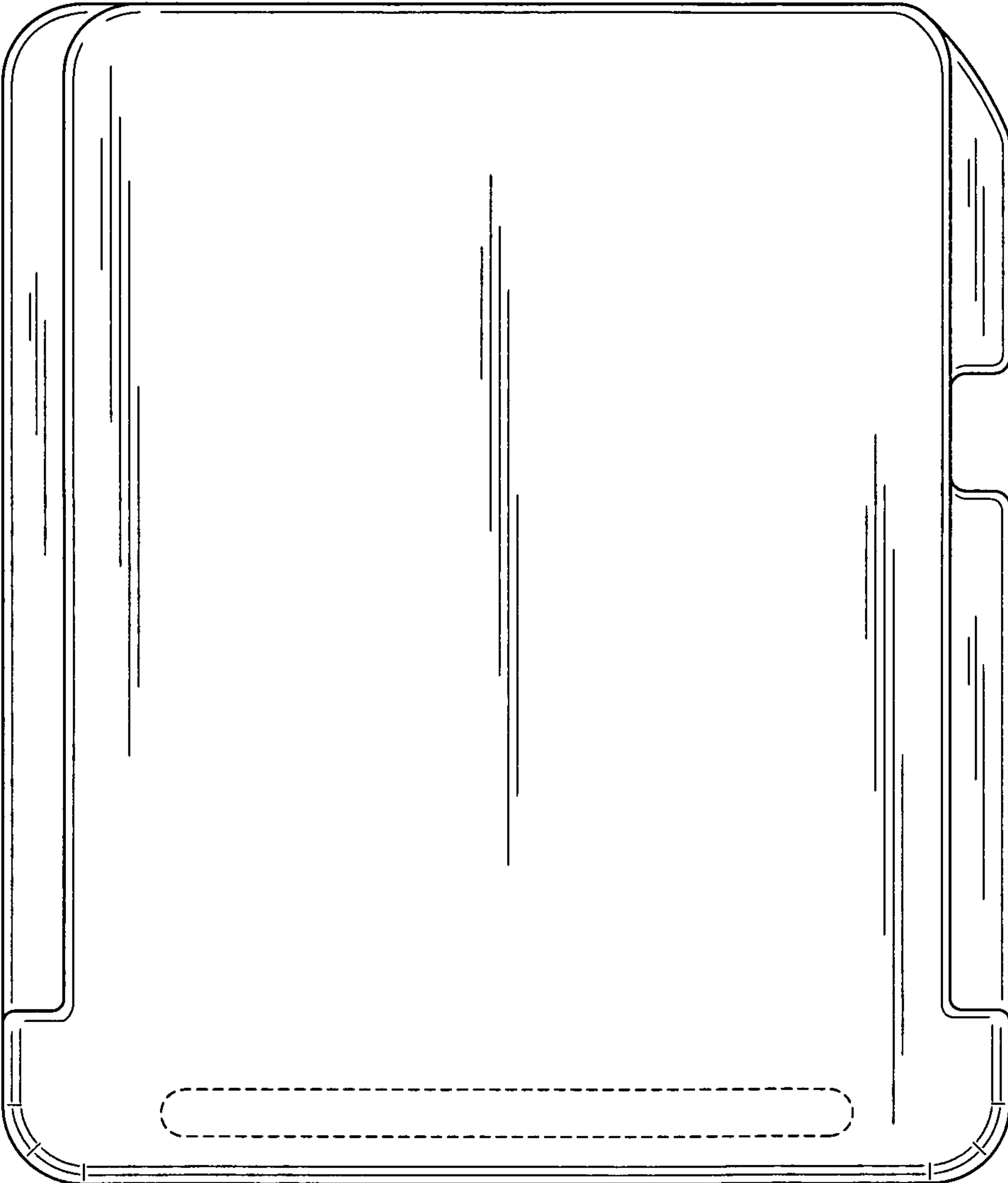


FIG.3

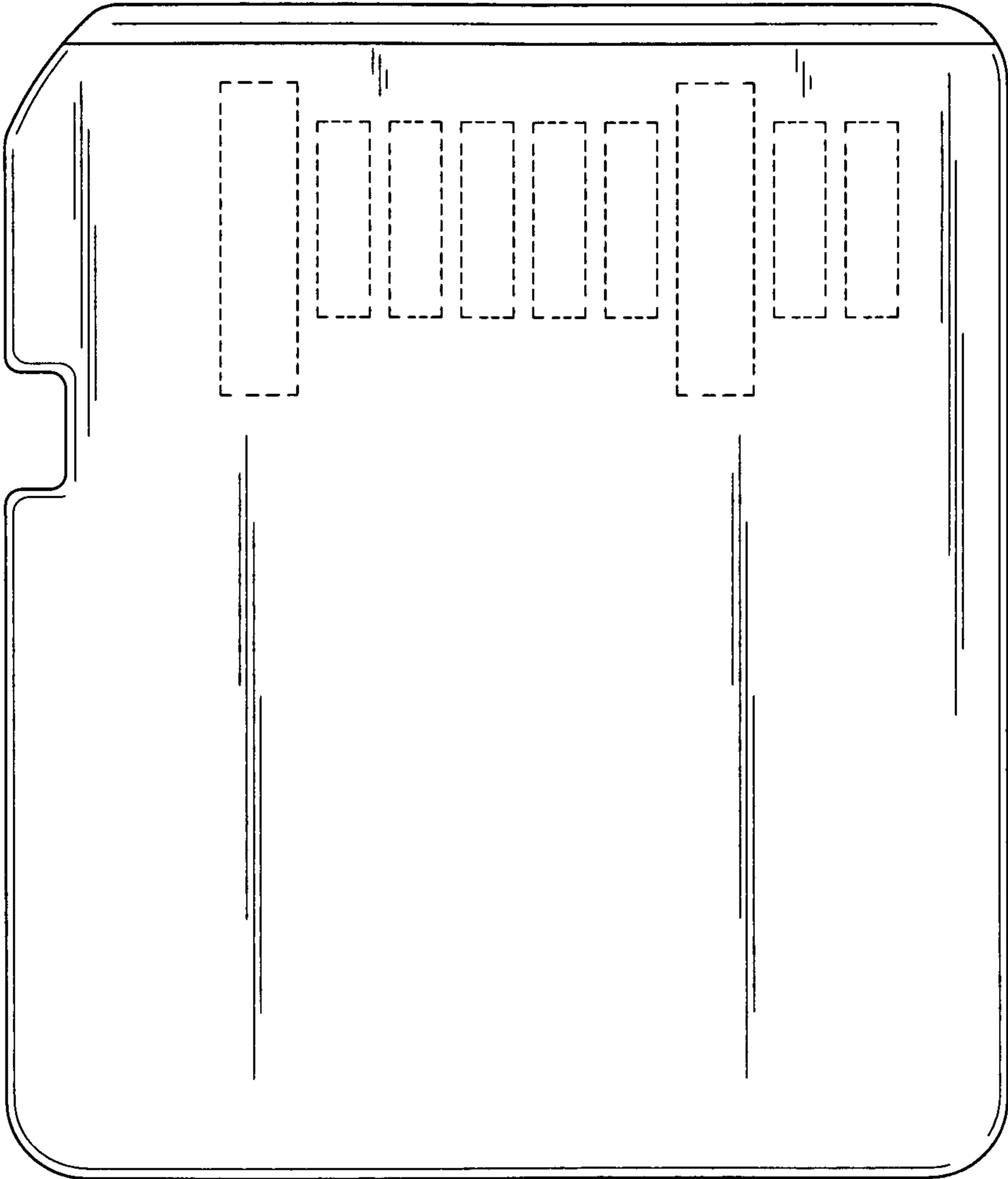


FIG.4

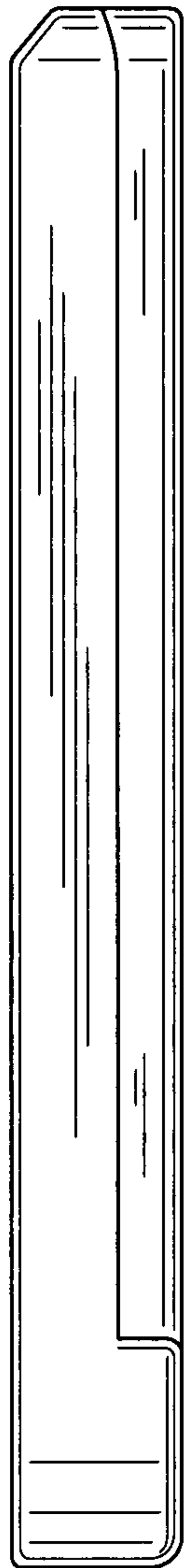


FIG.5

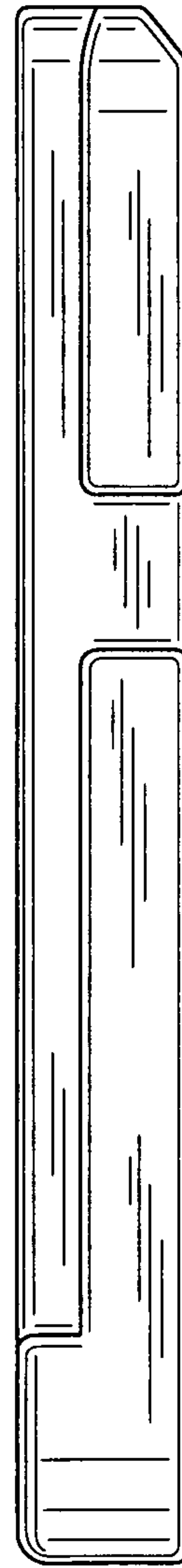


FIG.6

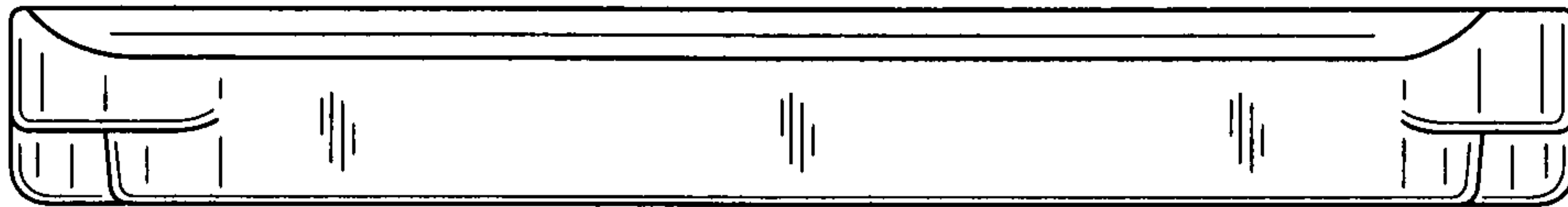


FIG.7



FIG.8

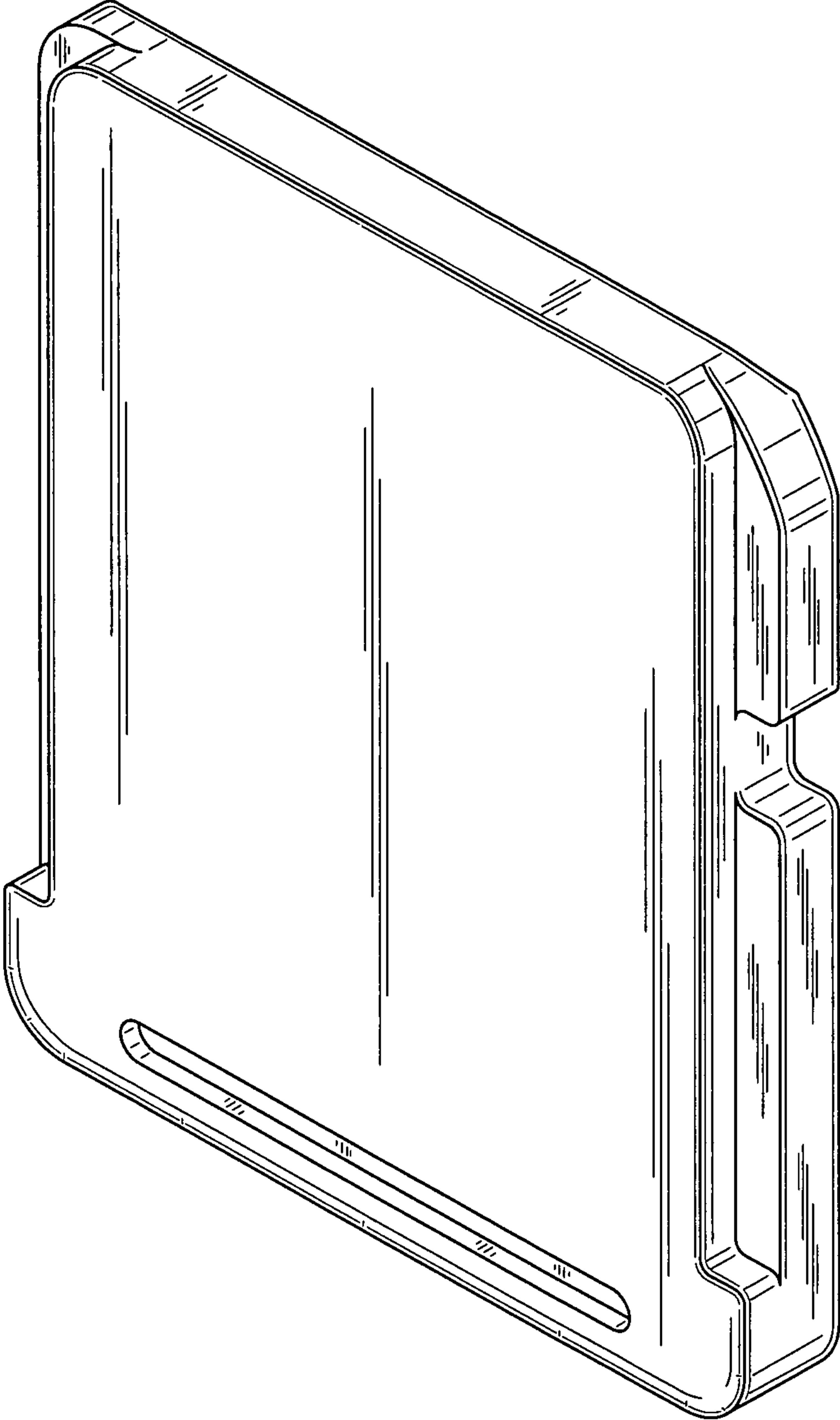


FIG.9

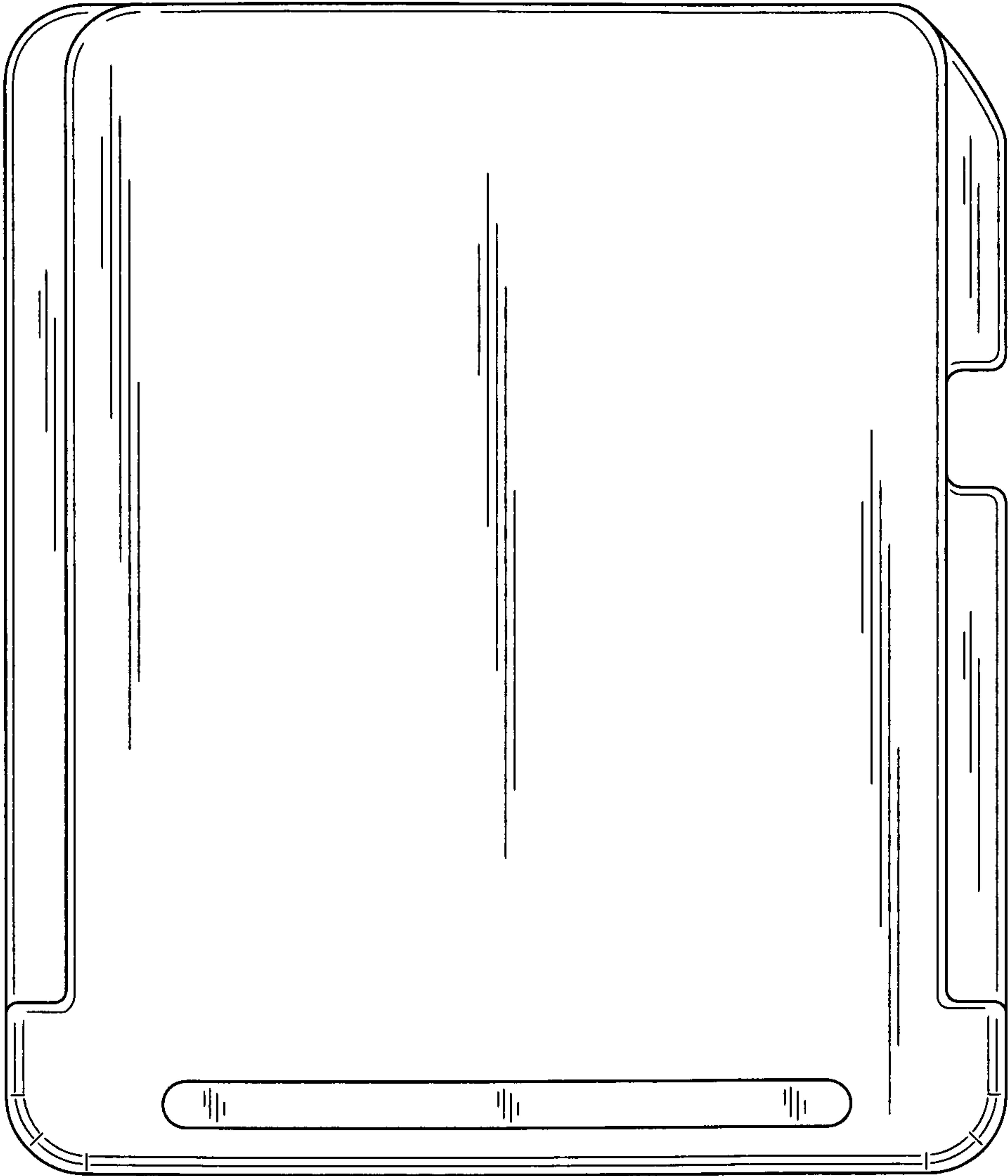


FIG. 10

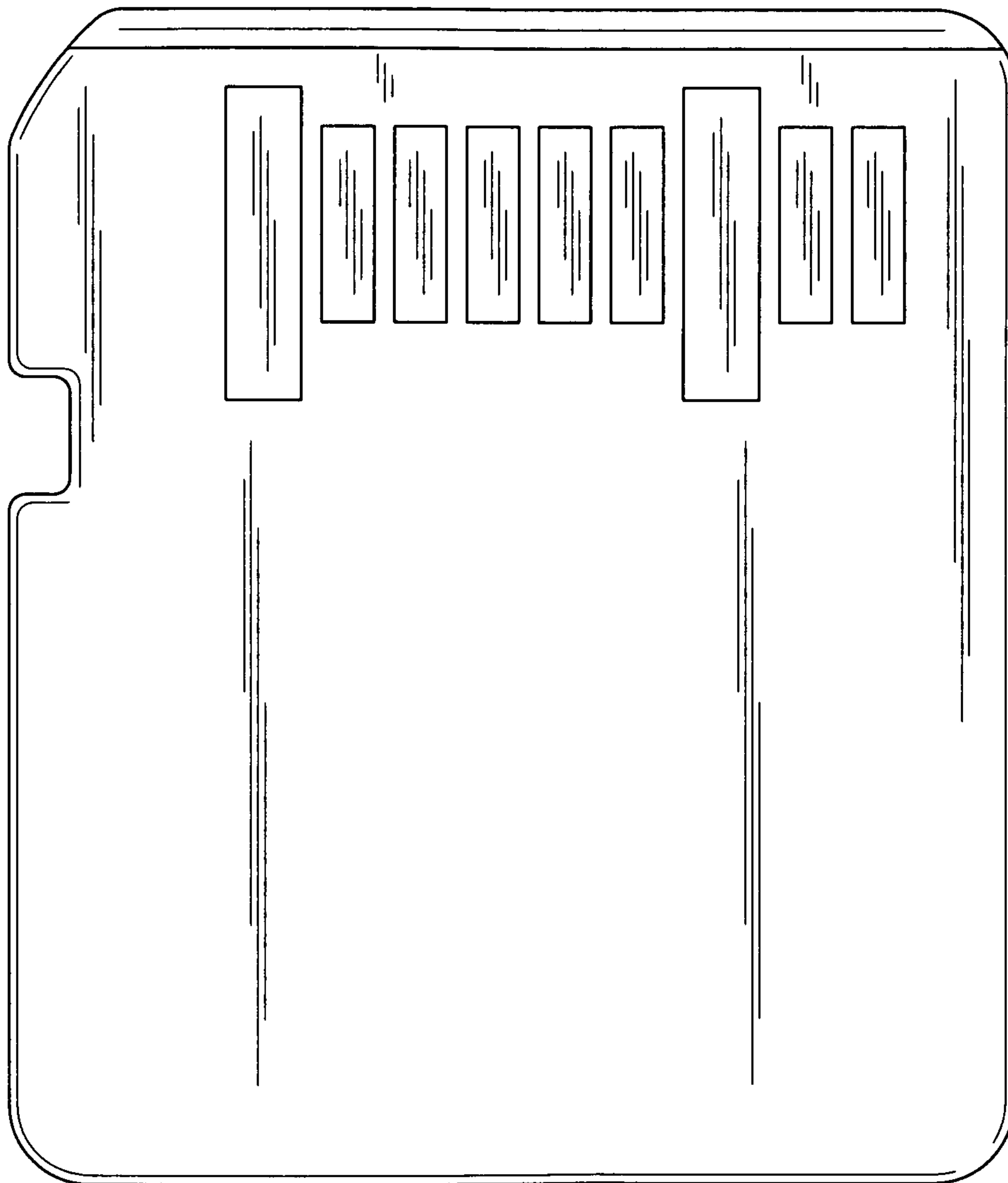


FIG.11

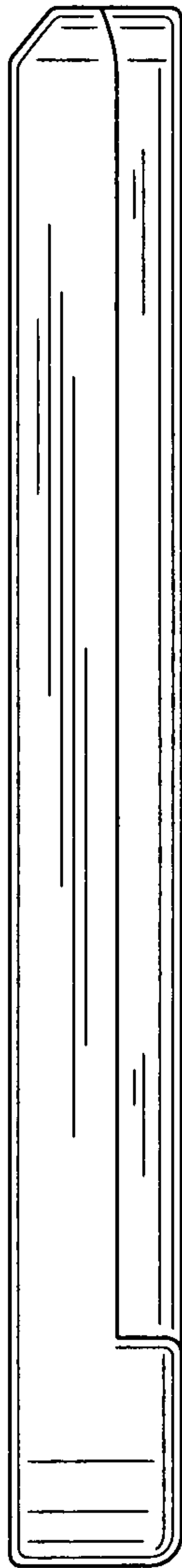


FIG.12



FIG.13

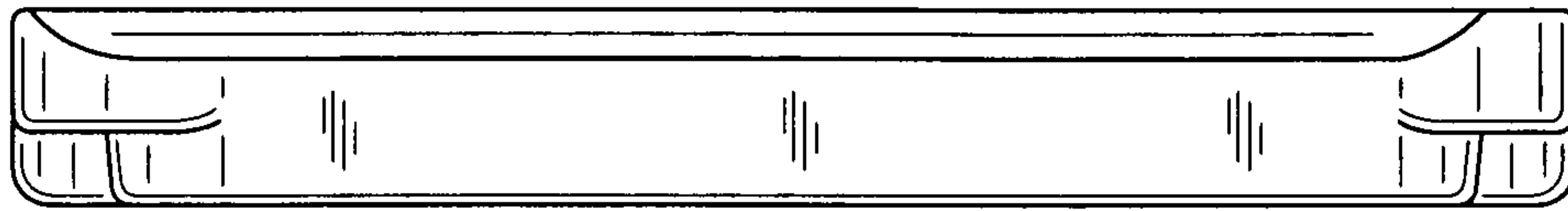


FIG.14

