



US00D681637S

(12) **United States Design Patent**  
**Nelson, Jr. et al.**

(10) **Patent No.:** **US D681,637 S**  
(45) **Date of Patent:** **\*\* May 7, 2013**

(54) **CARD SLOT BEZEL**

(75) Inventors: **Donald S. Nelson, Jr.**, Akron, OH (US);  
**David N. Lewis**, Canal Fulton, OH (US);  
**Shawn Griggy**, North Canton, OH (US);  
**George Niemoeller**, Canal Fulton, OH (US)

(73) Assignee: **Diebold Self-Service Systems division of Diebold, Incorporated**, North Canton, OH (US)

(\*\*) Term: **14 Years**

(21) Appl. No.: **29/409,079**

(22) Filed: **Dec. 20, 2011**

(51) **LOC (9) Cl.** ..... **14-02**

(52) **U.S. Cl.**  
USPC ..... **D14/385**

(58) **Field of Classification Search** ..... D24/232,  
D24/216, 186, 169, 107; D14/496, 432,  
D14/420, 385, 384, 383, 399; D13/108;  
D10/104.1, 106.95; 726/9; 422/82.01; 382/124;  
235/375, 379; D99/28

See application file for complete search history.

(56) **References Cited**

**U.S. PATENT DOCUMENTS**

|              |         |                |       |         |
|--------------|---------|----------------|-------|---------|
| D230,601 S * | 3/1974  | Cross et al.   | ..... | D14/385 |
| D248,233 S * | 6/1978  | Dibenedetto    | ..... | D14/385 |
| D260,259 S * | 8/1981  | Crowley et al. | ..... | D14/385 |
| D375,953 S * | 11/1996 | Smith et al.   | ..... | D14/146 |

|               |         |               |       |            |
|---------------|---------|---------------|-------|------------|
| 5,721,420 A * | 2/1998  | May           | ..... | 235/379    |
| D477,321 S *  | 7/2003  | Baughman      | ..... | D14/385    |
| D515,092 S *  | 2/2006  | Wilfong       | ..... | D14/385    |
| D516,068 S *  | 2/2006  | Walter        | ..... | D14/383    |
| D577,623 S *  | 9/2008  | Tal et al.    | ..... | D10/106.95 |
| D602,225 S *  | 10/2009 | Lute et al.   | ..... | D99/28     |
| D665,802 S *  | 8/2012  | Nelson et al. | ..... | D14/385    |
| D672,347 S *  | 12/2012 | Nelson et al. | ..... | D14/385    |

\* cited by examiner

*Primary Examiner* — Austin Murphy

(74) *Attorney, Agent, or Firm* — Christopher L. Parmeles; Ralph E. Jocke; Walker & Jocke

(57) **CLAIM**

The ornamental design for a card slot bezel, as shown and described.

**DESCRIPTION**

FIG. 1 is a top, front, right side perspective view showing our new design for a card slot bezel.

FIG. 2 is a top, front, left side perspective view thereof.

FIG. 3 is a front view thereof.

FIG. 4 is a left side view thereof.

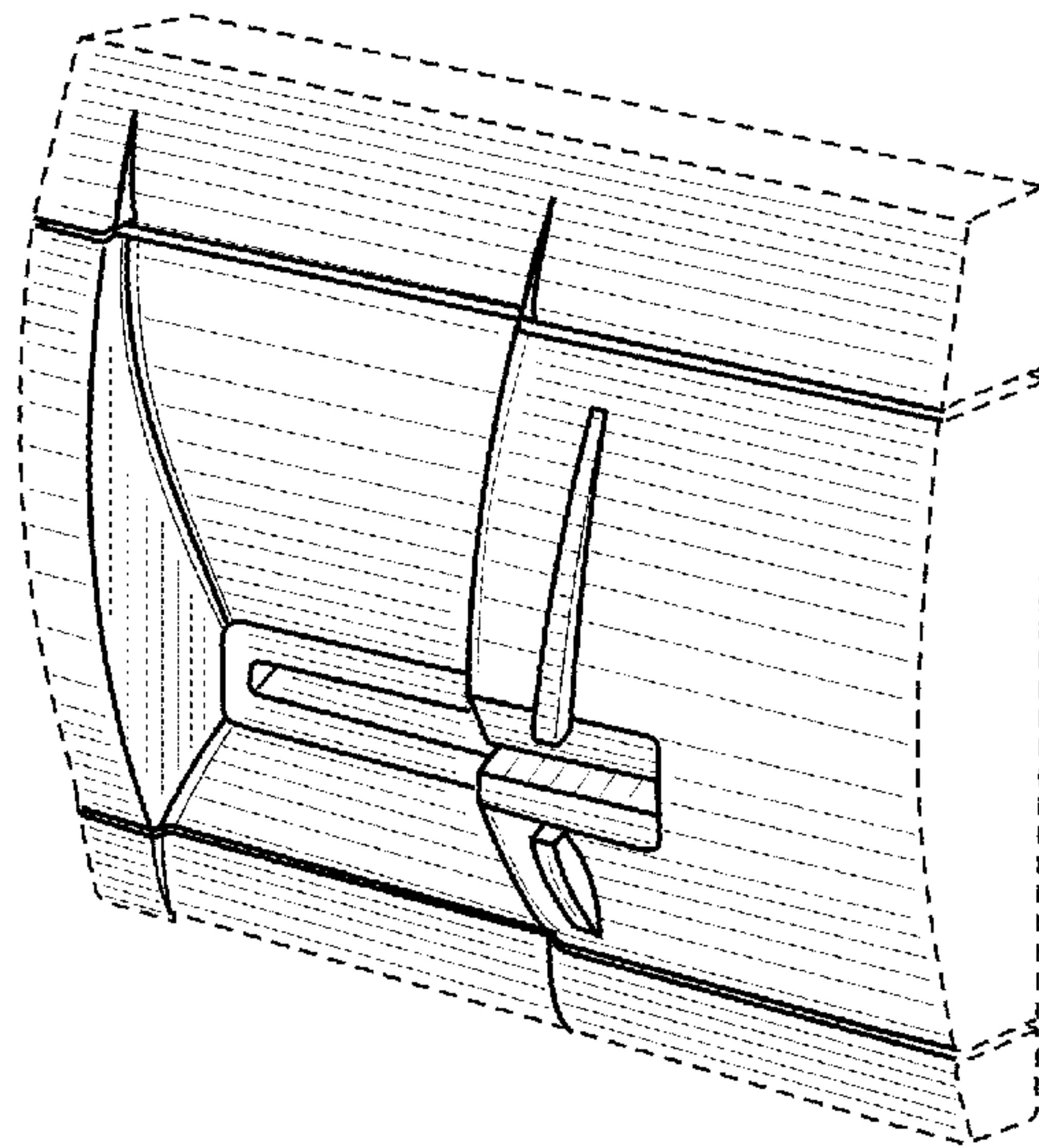
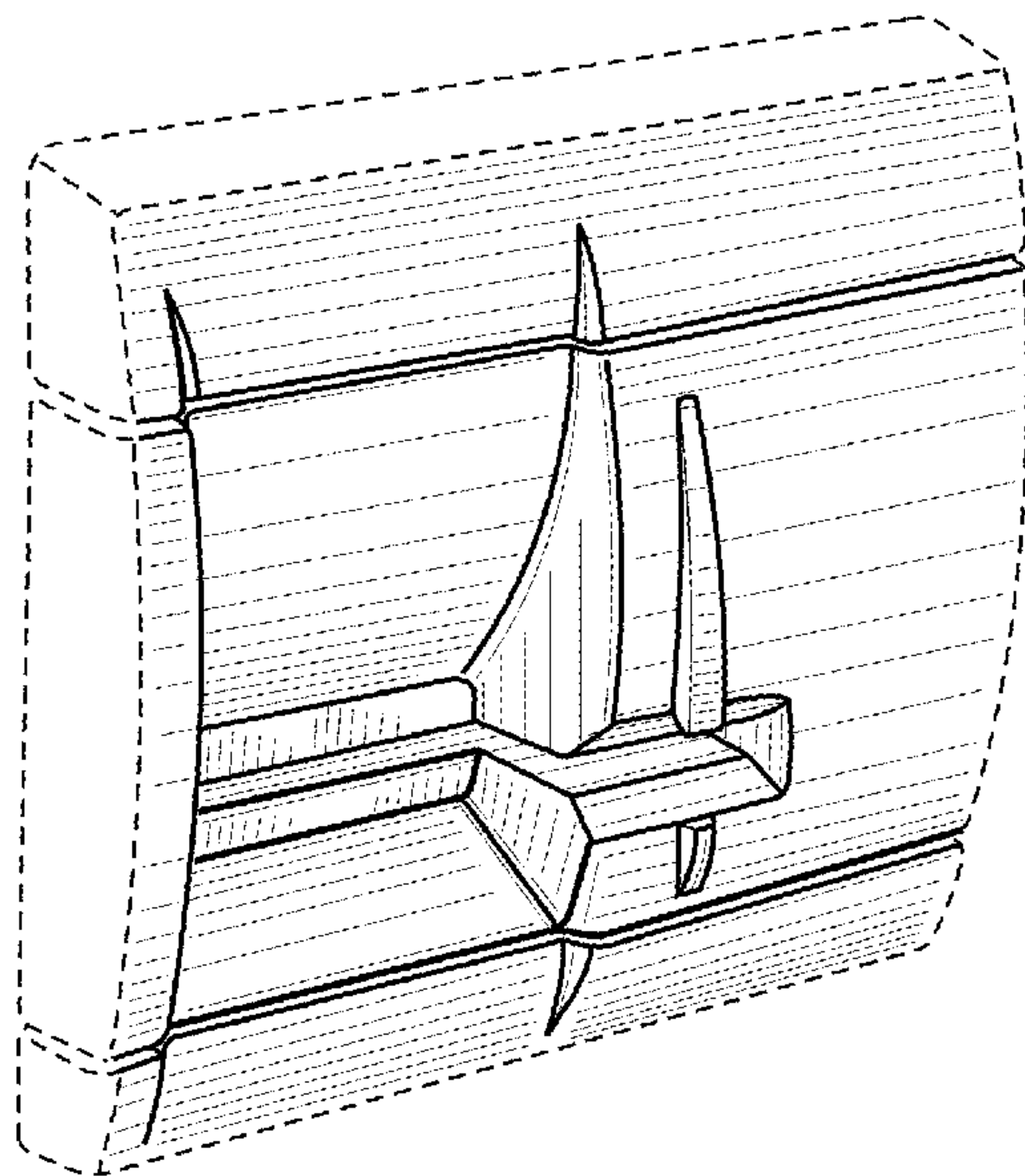
FIG. 5 is a right side view thereof.

FIG. 6 is a top view thereof; and,

FIG. 7 is a bottom thereof.

The broken lines adjacent the shaded areas represent the boundaries of the claimed design, while the other broken lines depict environmental subject matter only, and form no part of the claimed design. Also, the rear view forms no part of the claimed design.

**1 Claim, 3 Drawing Sheets**



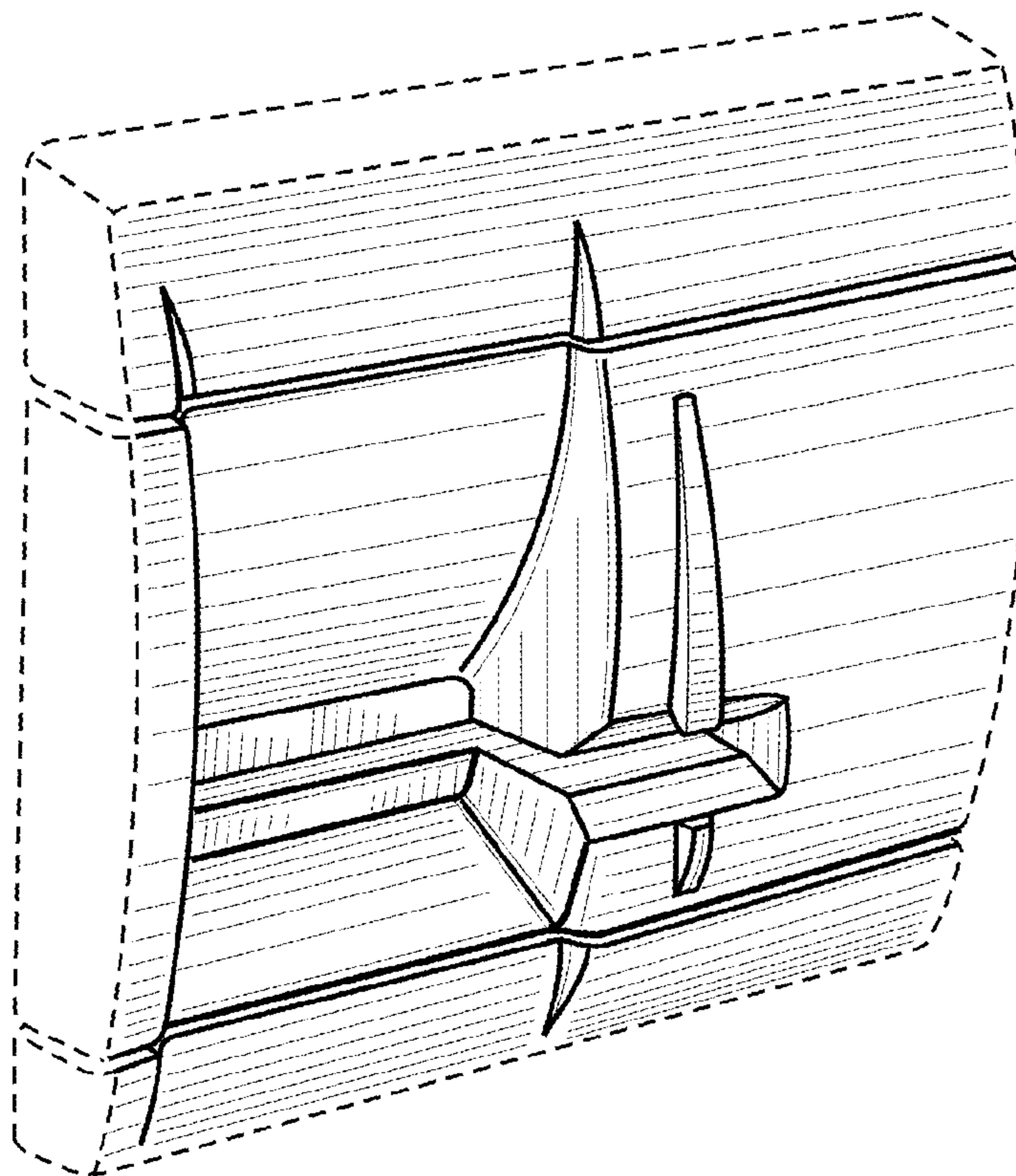


FIG. 1

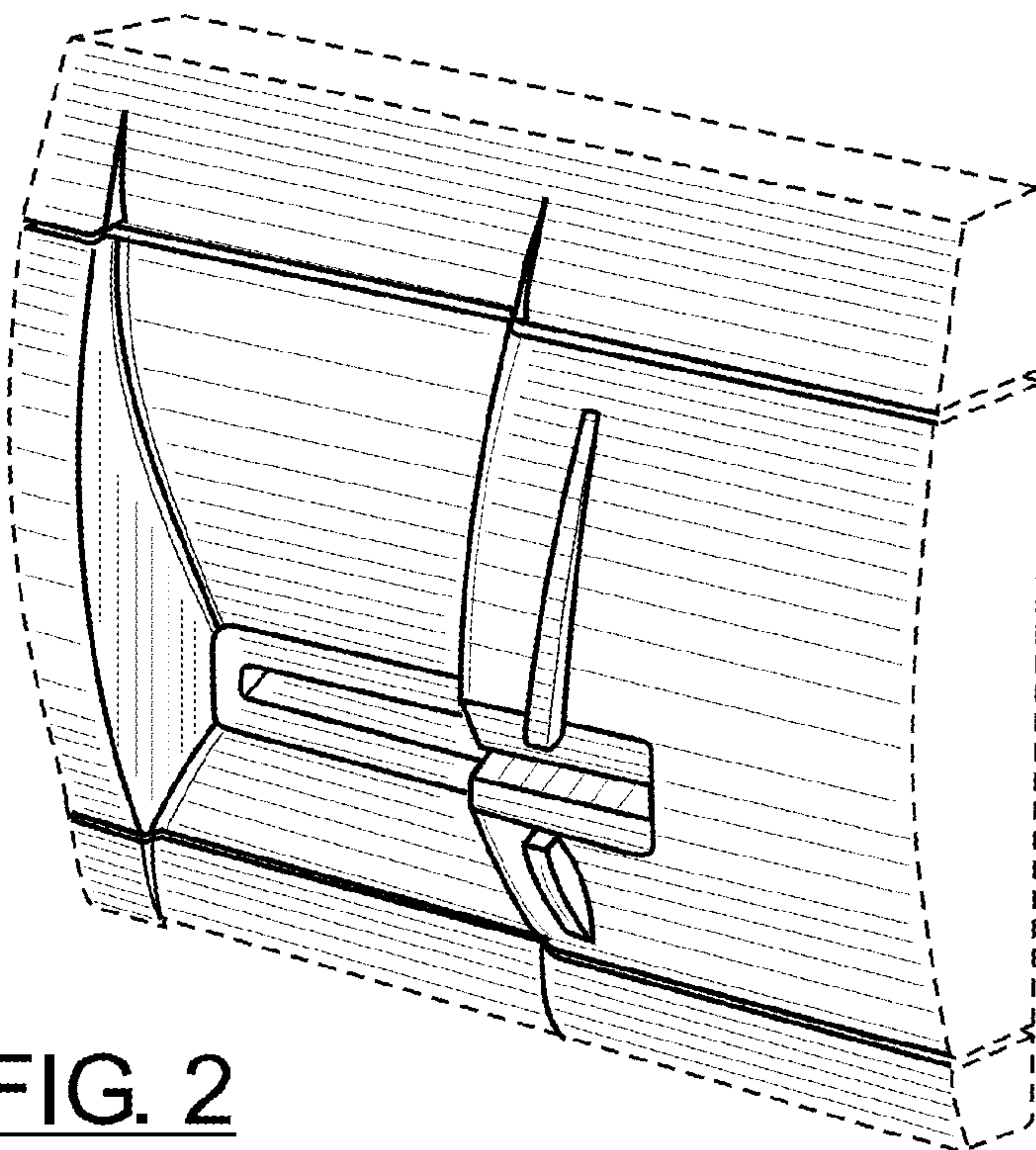


FIG. 2

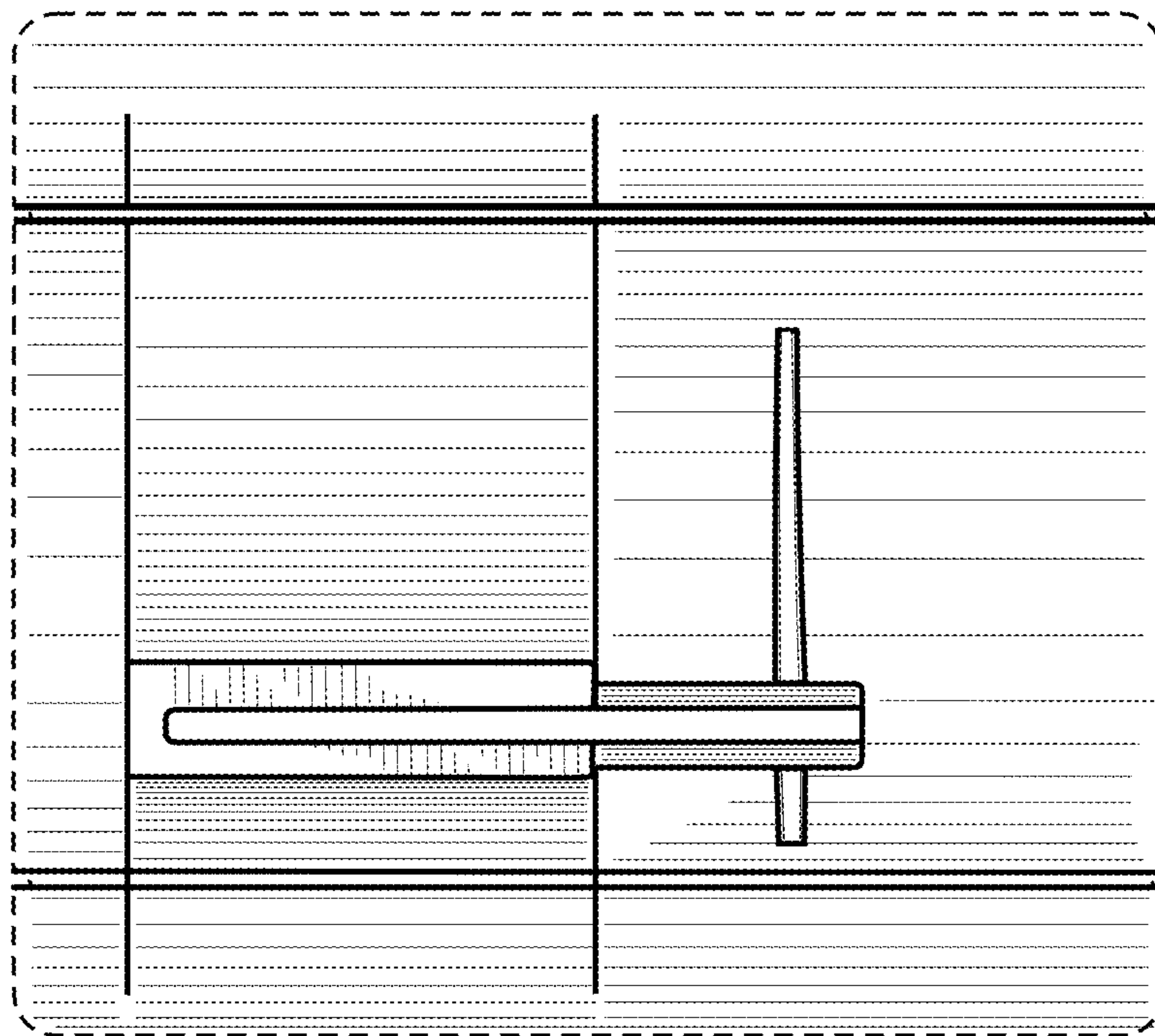


FIG. 3

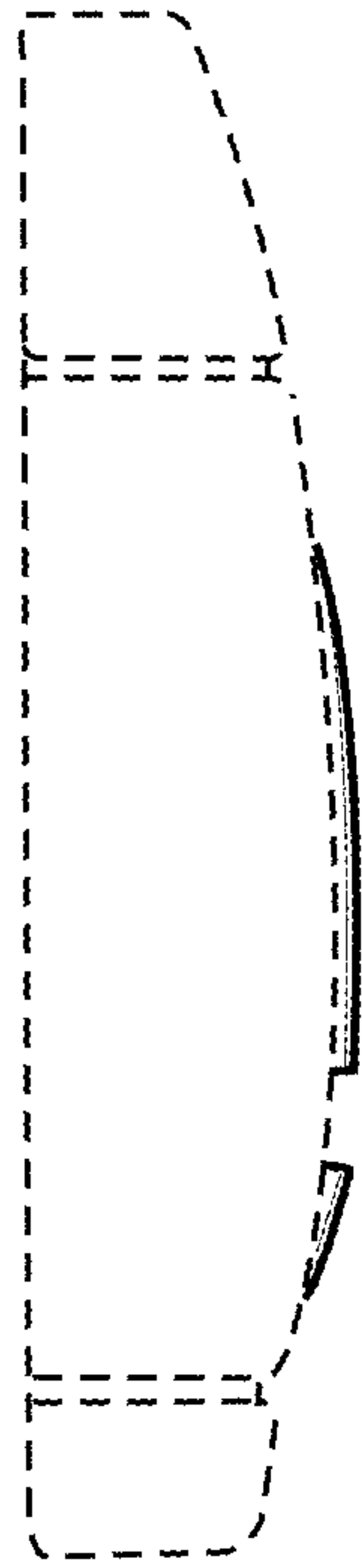


FIG. 4

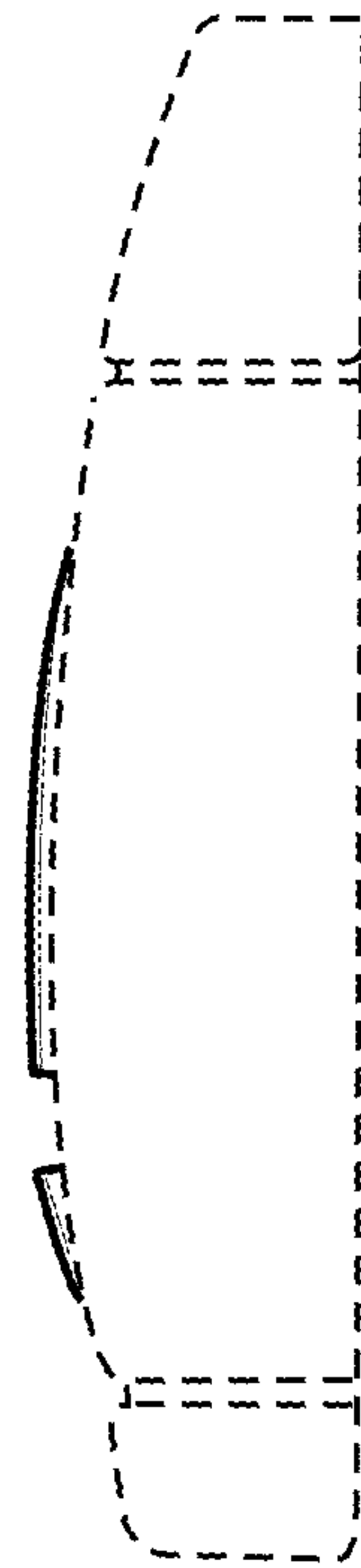


FIG. 5

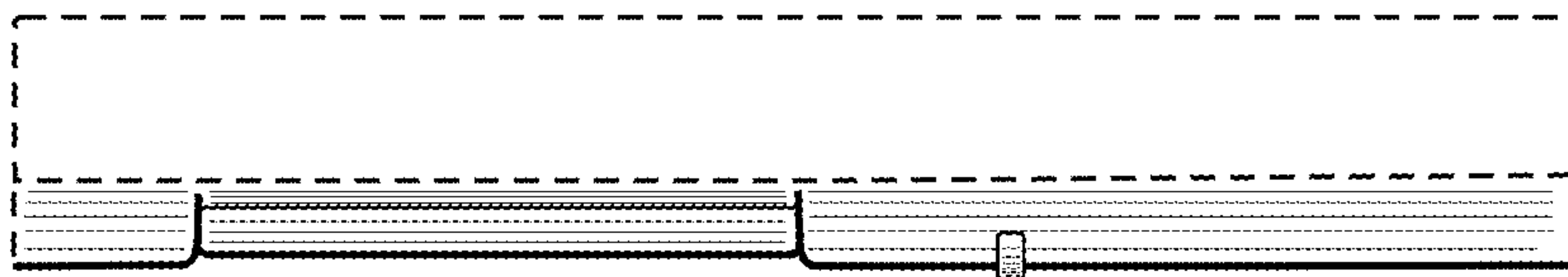


FIG. 6

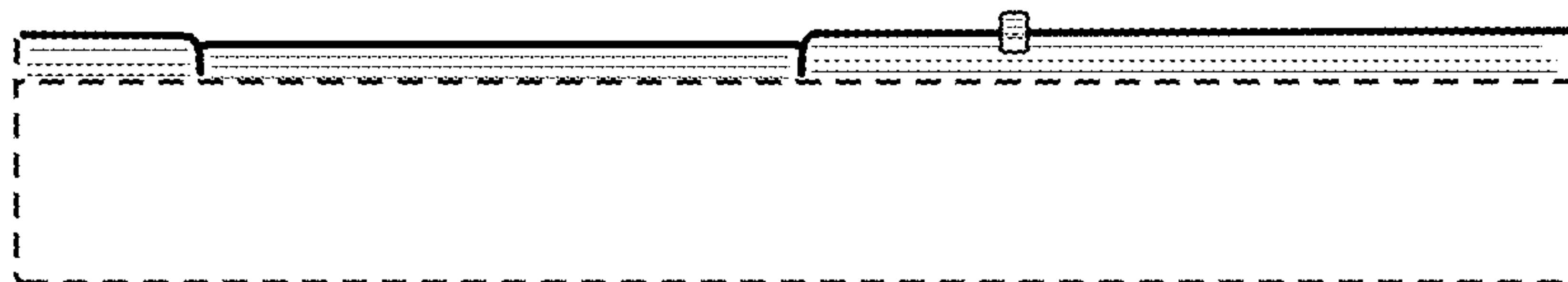


FIG. 7